

OWNER'S MANUAL

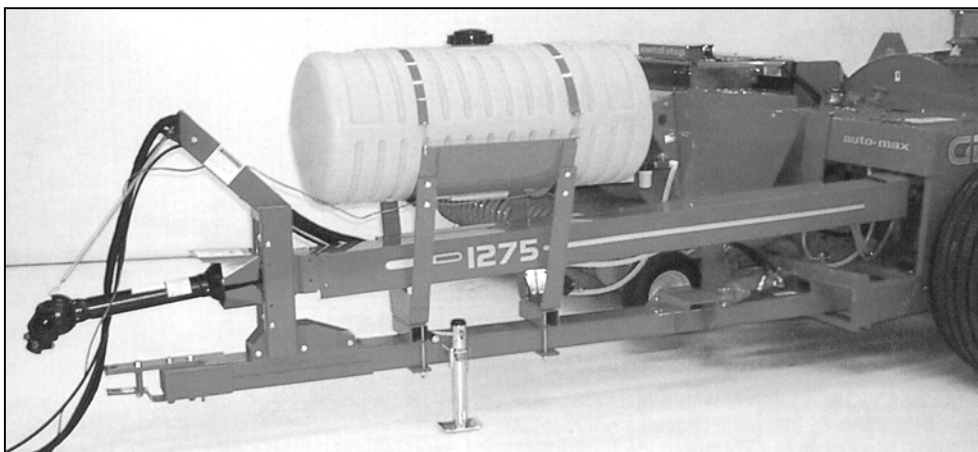
Model 655G ***85 Gallon Sprayer for Gehl Forage Harvester***

HARVEST
**TEC** *Equipment and Products
for Quality Hay.*

Table of Contents

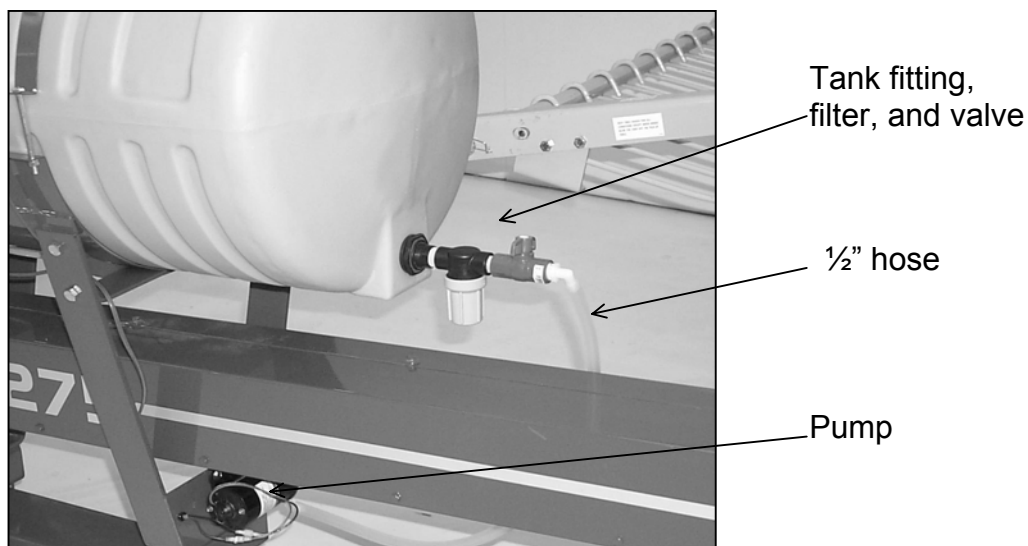
	<u>PAGE</u>
Installation instructions	3
-Mounting the tank	3
Installation of wiring harness	4
-Wiring diagram	4
Installation of blower band and nozzle assembly	4
Operation instructions	5
-General application chart	5
-Recommended tip for water lubrication	5
Maintenance	5
Parts breakdown	6
Notes	7
Warranty liability	Back Cover

Installation Instructions



Mounting the Tank

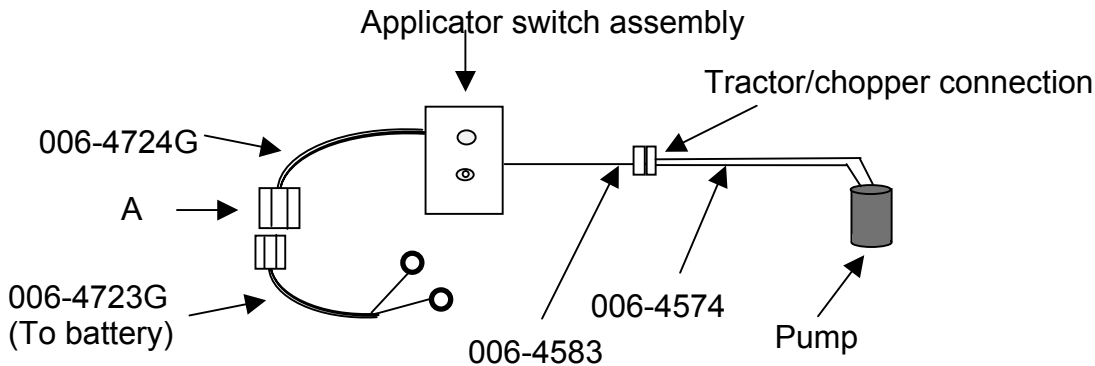
Begin by bolting the frame legs to forage harvester's tongue using the 5/8" U-bolts and nuts. The legs with the pump should be attached toward the back and the legs without the pump towards the front. The plates between the legs should be pointing outward on both the front and back legs, which would position the pump towards the back of the forage harvester. Check for wheel clearance and other obstructions. Place the saddle between the legs and attach using the 3/8" bolts, locks, and flats provided. Place the tank in the saddle with the end fitting on the same end as the pump. Use the 5/16" x 4" bolts and strap provided to bolt the tank to the saddle. Thread the filter assembly into the tank fitting. Connect the valve and hose barb to the filter and run the enclosed 1/2" hose from the valve hose barb to the inlet of the pump.



Installation of Wiring Harnesses

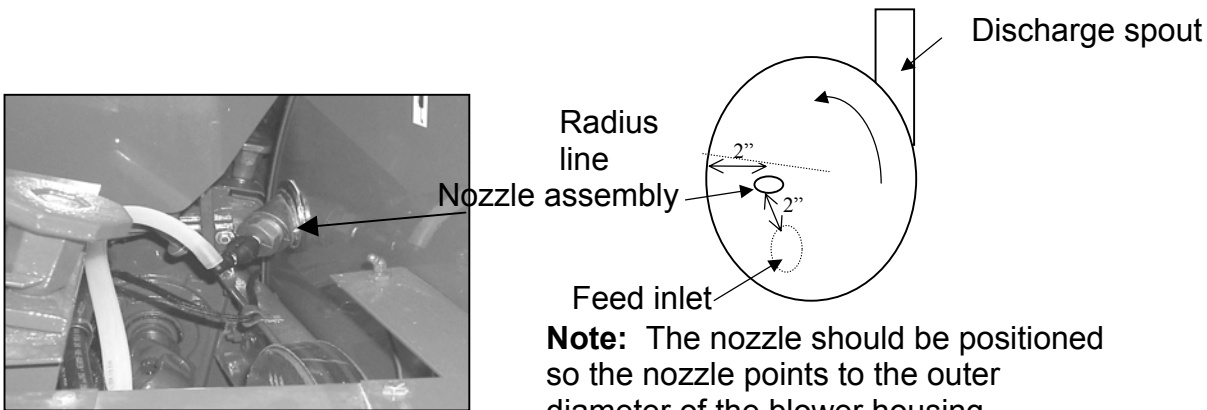
Connect the pump wiring harness to applicator switch assembly wiring harness. In the tractor, plug Connector A (see diagram below) directly to the chopper controls if you have a 1085 or 1285 chopper. The chopper control box will supply power and will put the applicator on pause when running in AUTO mode when hooked to Connector A. For all other model choppers, plug the battery hook-up harness (006-4723G) included with the applicator into Connector A and to the battery. The applicator will not be able to run in AUTO mode with choppers other than the 1085 or 1285.

Wiring Diagram



Installation of the Blower Band and Nozzle Assembly

When the applicator is going to be used as a blower band lubricator, it will be installed in the blower housing of the forage harvester on the side facing forward or backwards. The nozzle assembly must be located in the area of the blower before the feed intake and after the feed discharge. On the 1085 & 1285 models, there is an inspection door that the unit can be bolted to.



Operation Instructions

For 1285 and 1085 choppers, the switch in the cab allows the operator to run in manual or automatic modes. In automatic mode, the sprayer will be on unless the feed-roll switch is tripped, which will turn the sprayer off. For all other choppers, the switch will have to run in manual mode, where the sprayer will be on at all times until turned off. The pump on the 655 is an internal bypass pump that will run at 40 psi on a continuous basis. For lubrication use, the pump will deliver 18 gallons per hour through lubricator tip #5003. For inoculant application, calculate your harvesting rate and mix your inoculant using the charts below. **If you need to apply product at 25 psi you will need to order part #007-4121S.

General Application Chart

	<i>Tip Number</i>			
	5002	5003	5004	5005
<i>Gallons/Hour at 40 psi</i>	12	18	24	30
<i>Gallons/Hour at 25 psi</i>	9.6	14.4	19.2	23.4

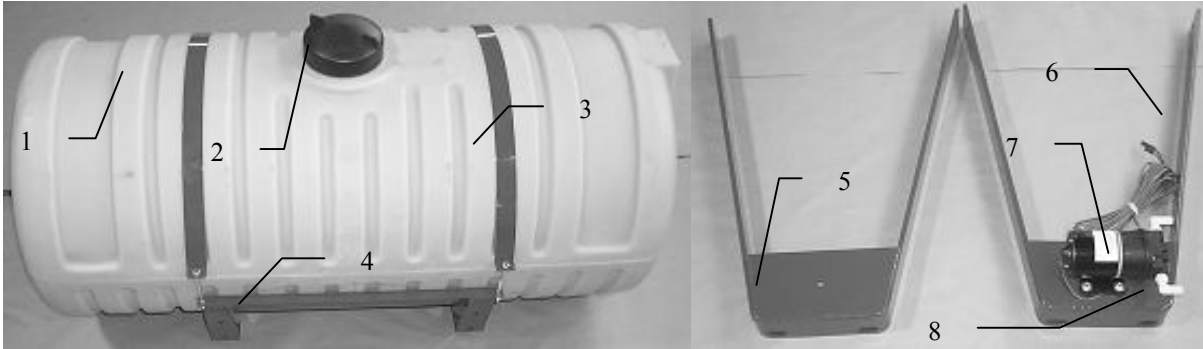
Recommended Tip for Water Lubrication at 40 PSI

Load Size	Minutes to Load			
	5002 Tip	5003 Tip	5004 Tip	5005 Tip
<i>14 Ton</i>	35	23	17	14
<i>12 Ton</i>	30	20	15	12
<i>10 Ton</i>	25	16	12	10
<i>8 Ton</i>	20	13	10	8
<i>6 Ton</i>	15	10	7	6
<i>4 Ton</i>	10	7	5	4

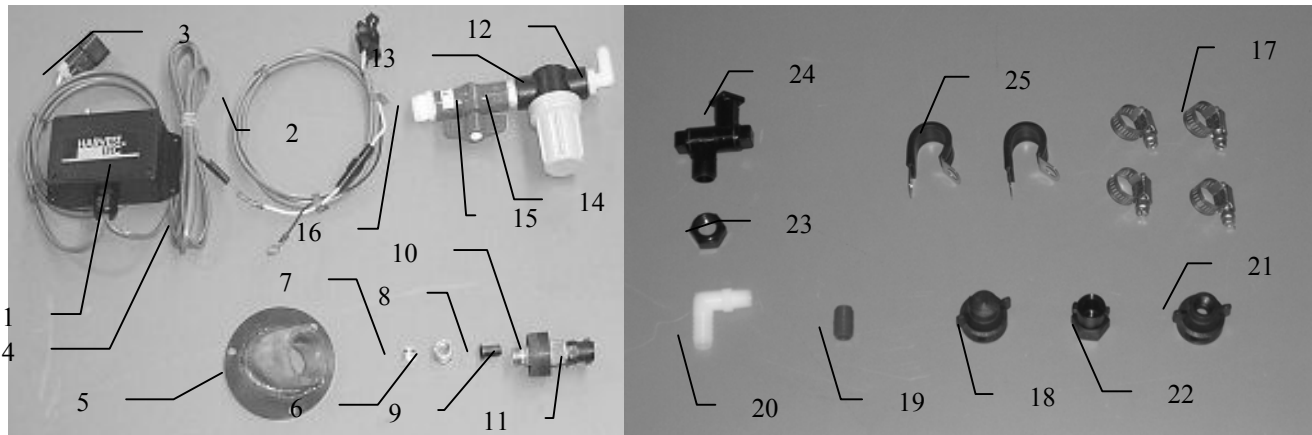
Maintenance

Clean the tip strainer and main strainer often. Some inoculants products leave a residue after use. This residue may affect pumping performance, if you have a product residue, flush the system with clean water after each use.

MODEL 655G APPLICATOR



<u>Ref</u>	<u>Description</u>	<u>Part#</u>	<u>Qty</u>	<u>Ref</u>	<u>Description</u>	<u>Part#</u>	<u>Qty</u>
1	Tank	005-9205	1	6	Left saddle leg	001-4703AGL	1
2	Tank lid	005-9022D	1	7	Pump	007-4120D	1
3	Tank straps	001-4402	2	8	Elbow fitting	003-EL3812	2
4	Tank saddle	001-4701	1	NP	Tank fitting	005-9100	1
5	Right saddle leg	001-4703AGR	1	NP	Not pictured		



<u>Re</u> <u>f</u>	<u>Description</u>	<u>Part#</u>	<u>Qty</u>	<u>Re</u> <u>f</u>	<u>Description</u>	<u>Part#</u>	<u>Qty</u>
1	Control box	030-4725	1	16	Nipple fitting	003-M3412	1
2	Power lead	006-4723G	1	17	Hose clamp	003-9003	4
3	Cab harness	006-4724G	1	18	Shut-off cap	004-1207F	1
4	Box to draw bar	006-4583	1	19	Nipple fitting	003-M14	1
5	Lube nozzle holder	001-6501A	1	20	Elbow fitting	003-EL1412	1
6	Brass nozzle cap	004-4732	1	21	Female disconnect	004-1207H	1
7	Brass tip	004-5003-BR	1	22	Quick connect	004-1207G	1
8	Tip check	004-4468	1	23	Cap	004-4723	1
9	Brass nozzle body	004-4731	1	24	Swivel body	004-4733	1
10	Lube nozzle insert	001-6501B	1	25	Jiffy clip	008-9010	2
11	Quick disconnect	004-4710	1	NP	Tip	004-5002-BR	1
12	Elbow fitting	003-EL1212	1	NP	Tip	004-5004-BR	1
13	Filter bowl assembly	002-4315	1	NP	Tip	004-5005-BR	1
14	Nipple fitting	003-M1212	1	NP	1/2" Hose	002-9001	20ft
15	Ball valve	002-2212	1	NP	U-bolt	001-4701B	2
				NP	Not Pictured		

Notes:

Warranty and Liability Agreement

Harvest Tec, Inc. will repair or replace components that are found to be defective within 12 months from the date of purchase. Under no circumstances does this warranty cover any components which in the opinion of Harvest Tec, Inc. have been subjected to negligent use, misuse, alteration, accident, or if repairs have been made with parts other than those manufactured and obtainable from Harvest Tec, Inc.

Our obligation under this warranty is limited to repairing or replacing free of charge to the original purchase any part that in our judgment shows evidence of defective or improper workmanship, provided the part is returned to Harvest Tec, Inc. within 30 days of the failure. Parts must be returned through the selling dealer and distributor, transportation charges prepaid. It will be the purchaser's responsibility to provide proof of such purchase.

This warranty shall not be interpreted to render Harvest Tec, Inc. liable for injury or damages of any kind, direct, consequential, or contingent, to persons or property. Furthermore, this warranty does not extend to loss of crop, losses caused by delays or any expense prospective profits or for any other reason. Harvest Tec, Inc. shall not be liable for any recovery greater in amount than the cost or repair of defects in workmanship.

There are no warranties, either expressed or implied, of merchantability or fitness for particular purpose intended or fitness for any other reason.

This warranty cannot guarantee that existing conditions beyond the control of Harvest Tec, Inc. will not affect our ability to obtain materials or manufacture necessary replacement parts.

Harvest Tec, Inc. reserves the right to make design changes, improve design, or change specifications, at any time without any contingent obligation to purchasers of machines and parts previously sold.

HARVEST TEC, INC.
P.O. BOX 63
2821 HARVEY STREET
HUDSON, WI 54016
PHONE: 715-386-9100
1-800-635-7468
FAX: 715-381-1792
Email: info@harvesttec.com