

Installation Manual

Model 664 ***Automatic Preservative Applicator***



P.O. Box 63 • 2821 Harvey Street • Hudson, WI 54016
800-635-7468 • www.harvesttec.com

(intentionally blank)

Harvest Tec Model 664 Installation Table of Contents

	<u>PAGE</u>
Introduction	4
System Requirements	4
Tools Needed	4
Installation of Controls and Harnesses	5-6
1. Installation of Dual Channel Processor (DCP)	5
DCP or PIP Location for AGCO and CNH Balers	5
2. Installation of the Main Power/Communication Harnesses	6
Wiring Diagram	7
Pin Outs	8-9
Parts Breakdown	10
Warranty Statement	11

Introduction

Thank you for purchasing a Harvest Tec Model 664 Hay Preservative Applicator. This 664 applicator system has been designed to be operated through an Apple iPad (not included) using the Hay App. As well as the option to plug directly into most tractors that have an ISOBUS Monitor. The 664 Applicator System offers these advantages by operating through an Apple iPad:

1. Large bright, clear, colorful display
2. More durable and can be read in bright sunlight
3. Wireless connection in cab
4. Can be used for multiple other uses than just the applicator display
5. Option to tie-into the tractor ISOBUS system

This manual will take you through the steps for installing the update to the automatic applicator. If you are unsure about installing the system after consulting this manual, please contact your local authorized dealership for additional assistance. If you are in need of parts for the system please see the parts breakdown in the back of this manual and contact your local authorized dealer to order the parts. This applicator is designed to apply Harvest Tec buffered propionic acid.

Right and Left sides are determined by facing in the direction of forward travel.

System Requirements

***Requirement to run iPad option are 3rd Generation iPad (2012) or newer with iOS8 or greater operating system, plus the Hay App.**

If choosing to operate the unit through the ISOBUS monitor, part number 006-6670A will need to be ordered through your local equipment dealer.

Tools Needed:

- Standard wrench set
- Side cutter

1. Installation of Dual Channel Processor (DCP)

The Dual Channel Processor (DCP) has the same bolt pattern as the Precision Information Processor (PIP) you will be removing. The location of the main controller does not change so use the same holes and install the new Dual Channel Processor (DCP) in the same location with two 5/16" x 1" bolts, two 5/16" x 1-1/4" bolts, locks, fender washers and hex nuts. Mount the DCP cover over the top of the DCP and secure with the hardware using the 5/16" x 1-1/4" bolts on the top with the DCP shield.

DCP or PIP Location

AGCO Balers



Figure 1



Figure 2

CNH Balers



Figure 3

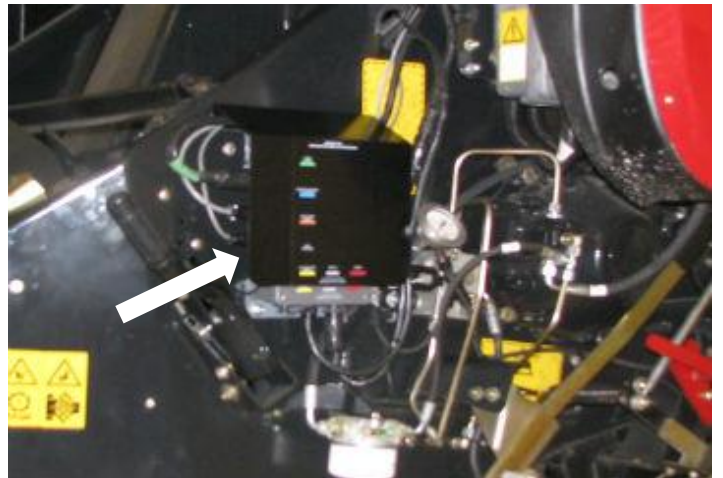
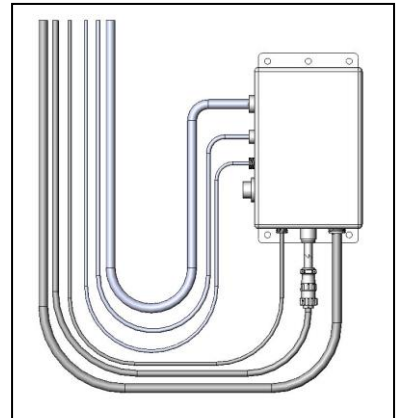


Figure 4

2. Main wiring harness and power cord connection to baler harness terminator connection.

Route cords 006-6650LS2 along this path or similar inside of the baler. Keep cords away from moving parts and hydraulic hoses. Secure with existing cable clamps or use cable ties. When all connections are made to DCP secure wires.



Installation of Bluetooth Receiver

Locate a safe location in the cab of the tractor to place the Bluetooth Receiver (030-6672A). Recommended location is as close to the iPad being used as possible.

Connect the Power / Communication harness (006-6650TM) to the bottom of the receiver (right).

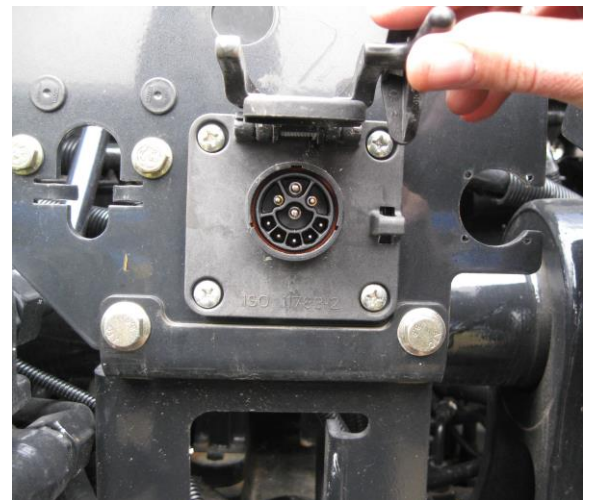


Connecting the optional ISOBUS plug to the tractor

Attach the optional ISOBUS connector (006-6670A) to the end of the communication harness (006-6650TM).

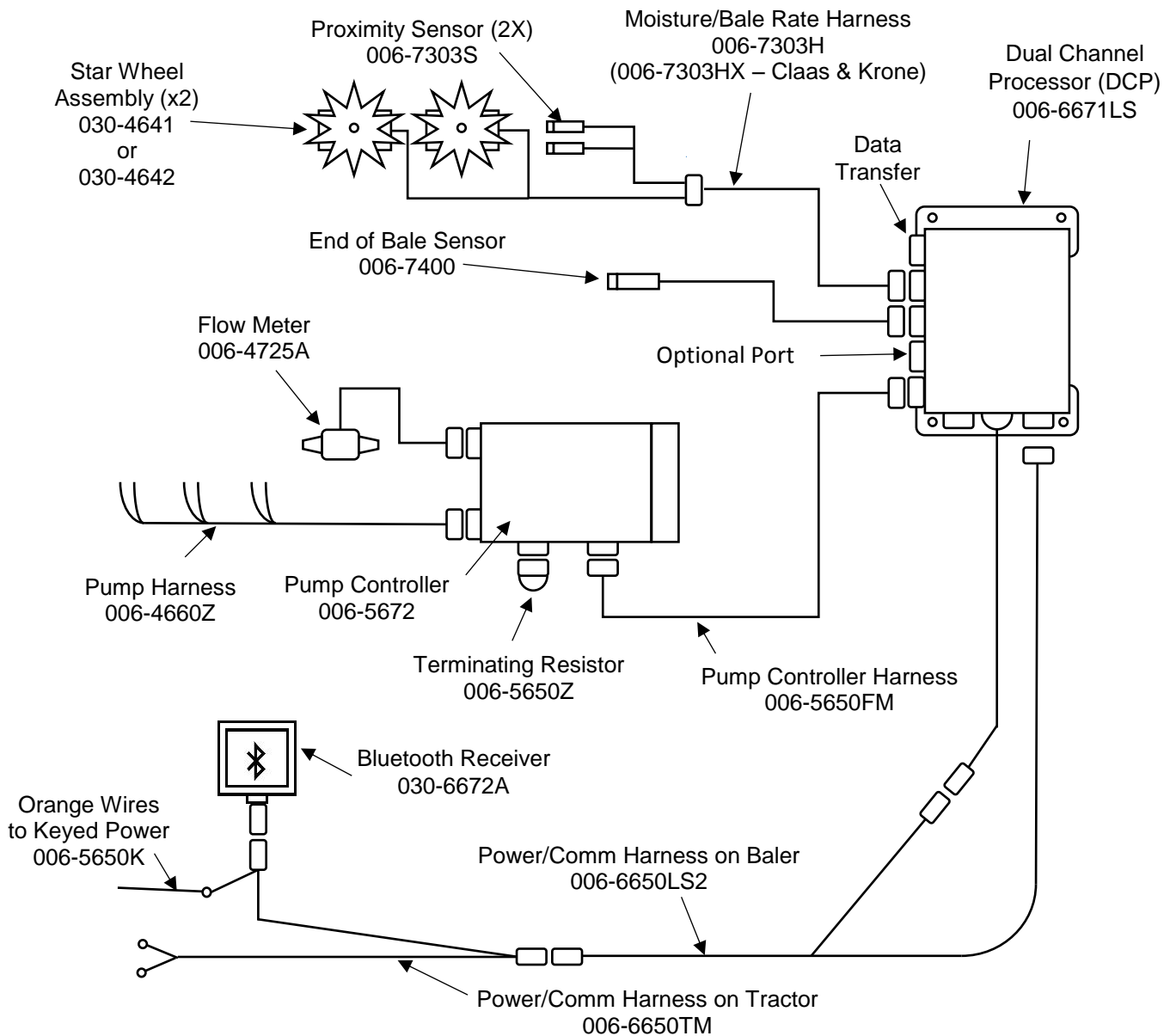
Connect the orange wires and attach the plug to the tractor's ISOBUS port.

Then connect the ISOBUS connector to the ISOBUS plug on the tractor.



Wiring Diagram

- 1 The **Baler Power/Communication Harness** (006-6650LS2) will attach to the open port of the **Tractor Harness** (006-6650TM) and run back to the **Dual Channel Processor** (006-6671LS). Connect the large plug of the Baler Power/Communication Harness (006-6650LS) to the bottom (shorter side) of the DCP.
- 2 Install green terminator (006-5650Z) to the port labeled **Modular Port** on the Pump Controller (006-5672).
- 3 Attach moisture and bale rate harness 006-7303H (Claas & Krone kits 006-7303HX) as well as the end of bale harness (006-7400) to the DCP (006-6671LS).
- 4 Attach the Pump Control Harness (006-5650FM) between the Pump Controller (006-5672) and the DCP (006-6671LS).
- 5 Connect the orange wires and attach the plug to the tractor's ISOBUS port.
- 6 If using the optional ISOBUS connector (006-6670A) connect the end to the Communication Harness (006-6650TM) in place of the Bluetooth Receiver shown below.
- 7 Connect the orange keyed power wires (006-5650K) and attach the plug to the tractor's ISOBUS port.



*Claas 3200-3400 balers will have star wheel assembly 030-4642 for mounting on side of bale chamber

Pin Outs

Power/Comm Harness 006-6650TM at Hitch

Pin 1	Red	+12V Power to TSD
Pin 2	Red	+12V Power to DCP
Pin 3	Orange	Keyed Power
Pin 4	Gray	Shield
Pin 5	Green	HT Can Low
Pin 6	Yellow	HT Can Hi
Pin 7	Orange	Can1 Hi
Pin 8	Black	Ground from TSD
Pin 9	Black	Ground from DCP
Pin 10	Blue	Can1 Low



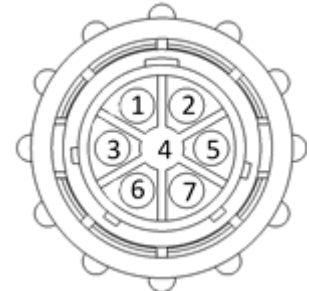
Power/Comm Harness 006-6650LS2 at Hitch

Pin 1	Red	+12V Power to TSD
Pin 2	Red	+12V Power to DCP
Pin 3	Orange	Keyed Power
Pin 4	Gray	Shield
Pin 5	Green	HT Can Low
Pin 6	Yellow	HT Can Hi
Pin 7	Orange	Can1 Hi
Pin 8	Black	Ground from TSD
Pin 9	Black	Ground from DCP
Pin 10	Blue	Can1 Low



Bluetooth Receiver on Harness 006-6650TM

Pin 1	Red	+12V Power from DCP
Pin 2	Black	Ground from TSD
Pin 3	Yellow	HT Can Low
Pin 4	Gray	Shield
Pin 5	Green	HT Can Hi
Pin 6	Orange	Can1 Hi
Pin 7	Blue	Can1 Low



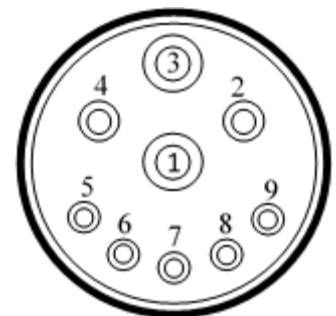
ISOBUS Plug Baler Side

Pin 1	N/A	
Pin 2	N/A	
Pin 3	120 OHM with Pin 5	
Pin 4	N/A	
Pin 5	120 OHM with Pin 3	
Pin 6	Orange	Can1 Hi
Pin 7	Blue	Can1 Low



ISOBUS Plug Tractor Side

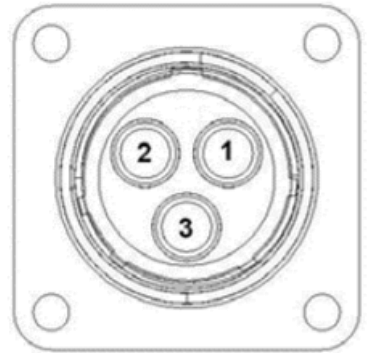
Pin 1	N/A	
Pin 2	N/A	
Pin 3	+12V Keyed Tractor Power	
Pin 4	N/A	
Pin 5	N/A	
Pin 6	N/A	
Pin 7	N/A	
Pin 8	Orange	Can1 Hi
Pin 9	Blue	Can1 Low



Pin Outs (continued)

Main Power Connector on DCP

Pin 1	Red	+12V Power from tractor
Pin 2	Black	Ground from tractor
Pin 3	Orange	Keyed power



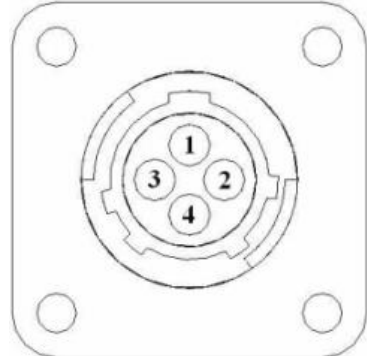
Star Wheel and Bale Rate Sensor connector on DCP

Pin 1	Blue	+12V Power
Pin 2	Orange	Ground
Pin 3	Black	Signal for sensor 1
Pin 4	White	Signal for sensor 2
Pin 5	N/A	
Pin 6	N/A	
Pin 7	N/A	
Pin 8	Violet	Star wheel input 1
Pin 9	Brown	Star wheel input 2



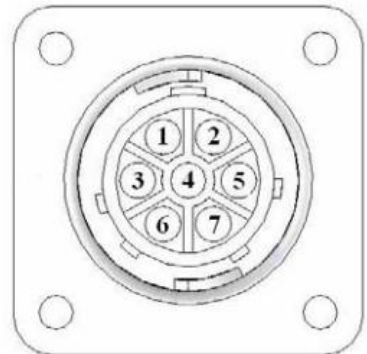
End of Bale sensor on DCP

Pin 1	Brown	Sensor Power
Pin 2	Blue	Sensor Ground
Pin 3	N/A	
Pin 4	Black	Signal from Sensor



Pump Connection Colors

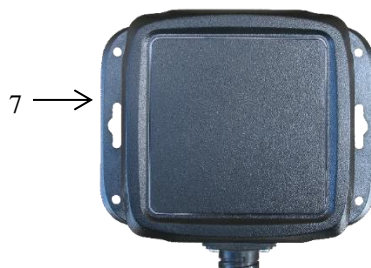
Pin 1	Black with Orange Stripe	Pump 1 Ground
Pin 2	Black with Green Stripe	Pump 2 Ground
Pin 3	Black with Yellow Stripe	Pump 3 Ground
Pin 4	N/A	
Pin 5	Orange with Black Stripe	Pump 1 Positive
Pin 6	Green with Black Stripe	Pump 2 Positive
Pin 7	Yellow with Black Stripe	Pump 3 Positive



Parts Breakdown (Converting a 500 Series to a 600 Series)



<u>Ref</u>	<u>Description</u>	<u>Part Number</u>	<u>Qty</u>
1	Key Switch Wire-orange	006-5650K	1
2	DCP Main Control LS 600 Auto	001-6671LS2	1
3	Terminating Resistor 500 Series-green	006-5650Z	1
4	Dust Plug (only one included)-yellow	006-5651Plugs	1
5	DCP Baler Harness 30 ft	006-6650LS2	1
6	DCP Tractor Harness	006-6650TM	1
7	Bluetooth Receiver	030-6672A	1
NP	Optional ISOBUS Adapter Plug (not included)	006-6670A	1



WARRANTY AND LIABILITY AGREEMENT

Harvest Tec, Inc. will repair or replace components that are found to be defective within 12 months from the date of manufacture. Under no circumstances does this warranty cover any components which in the opinion of Harvest Tec, Inc. have been subjected to negligent use, misuse, alteration, accident, or if repairs have been made with parts other than those manufactured and obtainable from Harvest Tec, Inc.

Our obligation under this warranty is limited to repairing or replacing free of charge to the original purchaser any part that in our judgment shows evidence of defective or improper workmanship, provided the part is returned to Harvest Tec, Inc. within 30 days of the failure. Parts must be returned through the selling dealer and distributor, transportation charges prepaid.

This warranty shall not be interpreted to render Harvest Tec, Inc. liable for injury or damages of any kind, direct, consequential, or contingent, to persons or property. Furthermore, this warranty does not extend to loss of crop, losses caused by delays or any expense prospective profits or for any other reason. Harvest Tec, Inc. shall not be liable for any recovery greater in amount than the cost or repair of defects in workmanship.

There are no warranties, either expressed or implied, of merchantability or fitness for particular purpose intended or fitness for any other reason.

This warranty cannot guarantee that existing conditions beyond the control of Harvest Tec, Inc. will not affect our ability to obtain materials or manufacture necessary replacement parts.

Harvest Tec, Inc. reserves the right to make design changes, improve design, or change specifications, at any time without any contingent obligation to purchasers of machines and parts previously sold.

Revised 01/13

HARVEST TEC, INC.
P.O. BOX 63
2821 HARVEY STREET
HUDSON, WI 54016
PHONE: 715-386-9100
1-800-635-7468
FAX: 715-381-1792
Email: info@harvesttec.com