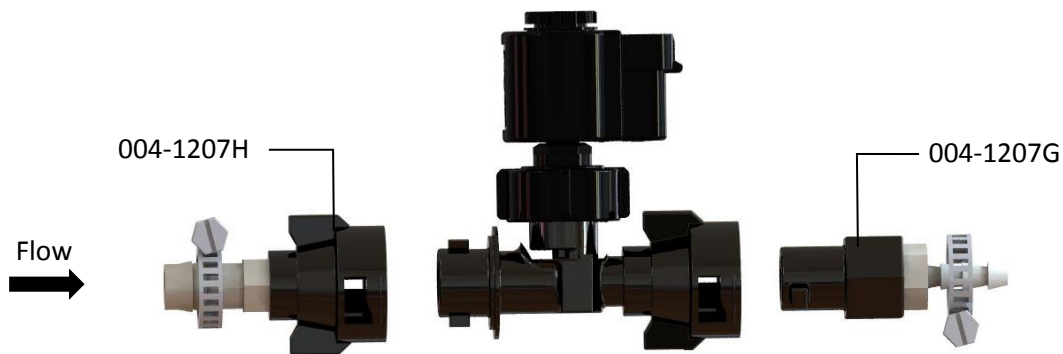


## Urgent 300 Series Bulletin

### Reason:

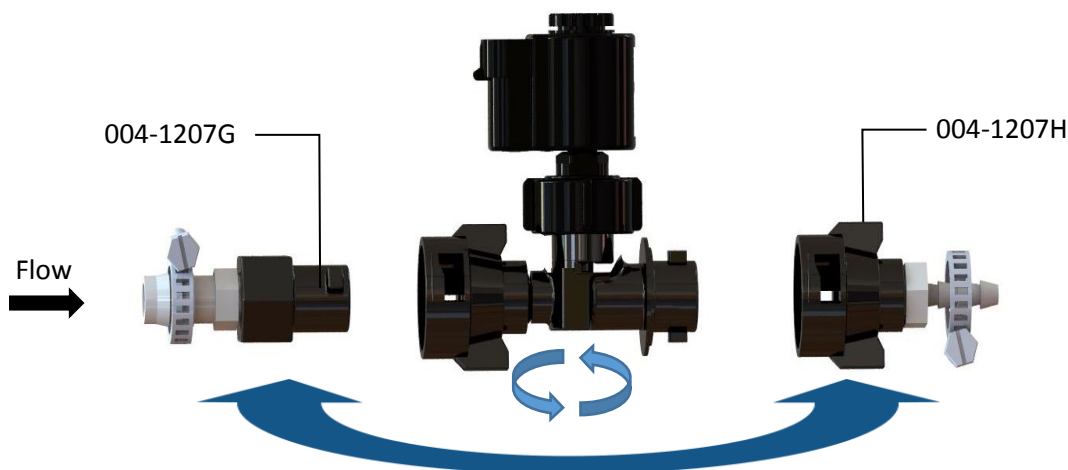
You are receiving this document because you recently purchased a 300 series Harvest Tec applicator that has a component incorrectly installed. This document shows how to reconfigure the solenoid, by changing parts positioning on the solenoid package.

### Original Configuration (which is incorrect):



1. Drain any water or preservative in the hose. Note: There may be pressure built up in the line if the system has been operated. Disconnect lines with care.
2. Disconnect solenoid assembly by twisting the Female 1/4 Turn Disconnect (004-1207H) and Male Connector (004-1207G) from the solenoid configuration. Shown above.

### Corrected Configuration:



3. Switch the location of the Male Connector (004-1207G) and Female 1/4 Turn Disconnect (004-1207H).
4. Flip the solenoid assembly 180 degrees, so the 1/4 Turn disconnect flange is toward the exit assembly.
5. Reconnect all components.

Please contact Harvest Tec at 800.635.7468 with any questions regarding this update.