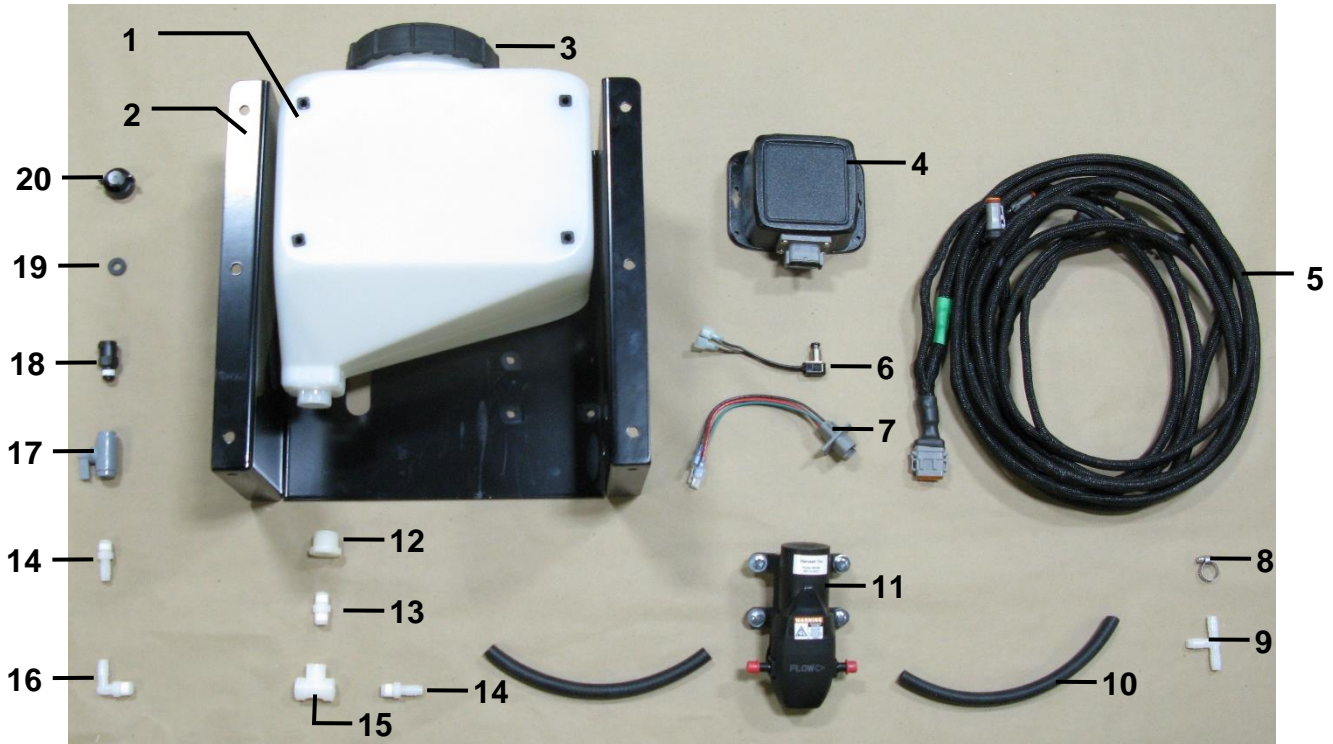
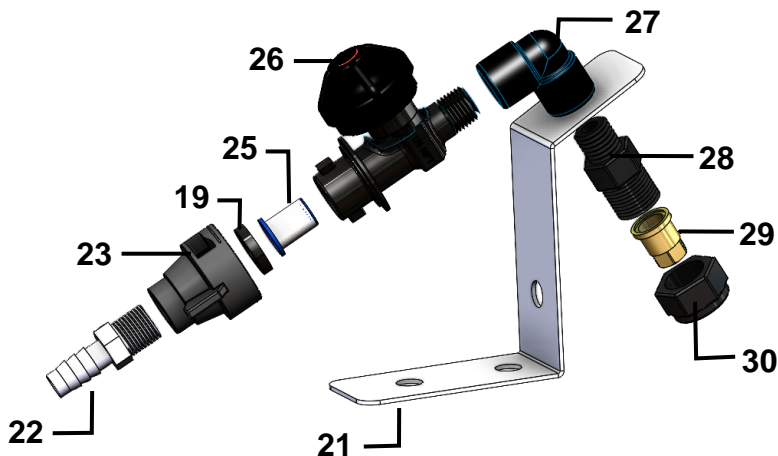


Parts Breakdown



<u>Ref</u>	<u>Description</u>	<u>Part#</u>	<u>Qty</u>	<u>Ref</u>	<u>Description</u>	<u>Part#</u>	<u>Qty</u>
1	Tank	005-9019	1	12	3/4x1/4" Reducer	003-RB3414	1
2	DSM Mounting Bracket	001-2500	1	13	1/4x1/4" Nipple	003-M1414	1
3	Tank Cap	005-9022C	1	14	1/4x3/8" Fitting	003-A1438	2
4	Dye Marker Control	006-2472DM	1	15	1/4" FPT Tee	003-TT14	1
5	DSM Wire Harness	006-765IDM	1	16	1/4x3/8" Elbow	003-EL1438	1
6	Remote Push Switch	006-2850	1	17	SLV Bottle Valve	002-2216	1
7	DM Pump Switch	006-765IDM2	1	18	Male Quick Connect	004-4710	1
8	Hose Clamp	002-9002	10	19	Rubber Gasket	004-1207W	2
9	3/8" Barbed Tee	003-T3838	1	20	Shut-Off Cap	004-1207F	1
10	3/8" EDPM Hose	002-9003AS	26'				
11	DSM Pump	007-4120LF	1	NP	Tank Cap Gasket	005-9022CG	1



<u>Ref</u>	<u>Description</u>	<u>Part#</u>	<u>Qty</u>
21	Nozzle Holder	001-4216	2
22	Straight Fitting	003-A1438	2
23	Quick Connect	004-1207H	2
19	Rubber Gasket	004-1207W	2
25	Tip Screen	004-1203-100	2
26	Check Valve	004-1207V	2
27	Street Elbow	003-SE14F	2
28	Nozzle Body	004-4722	2
29	Brass Tip	004-TX-5	2
30	Nozzle Cap	004-4723	2