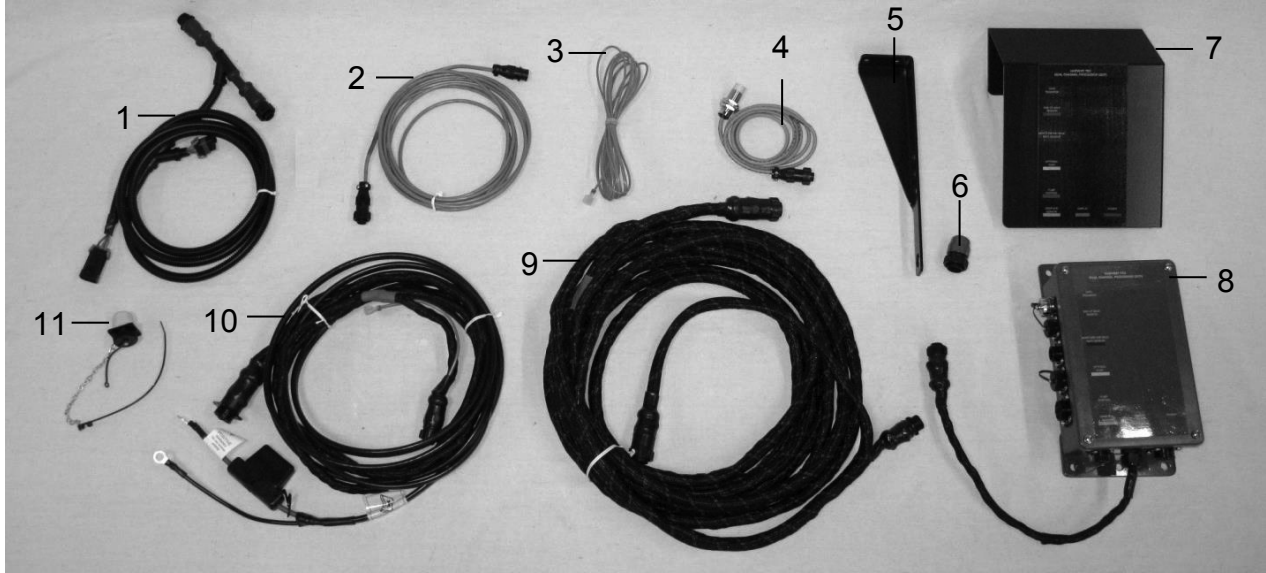


Parts Breakdown

Controls and Harnesses

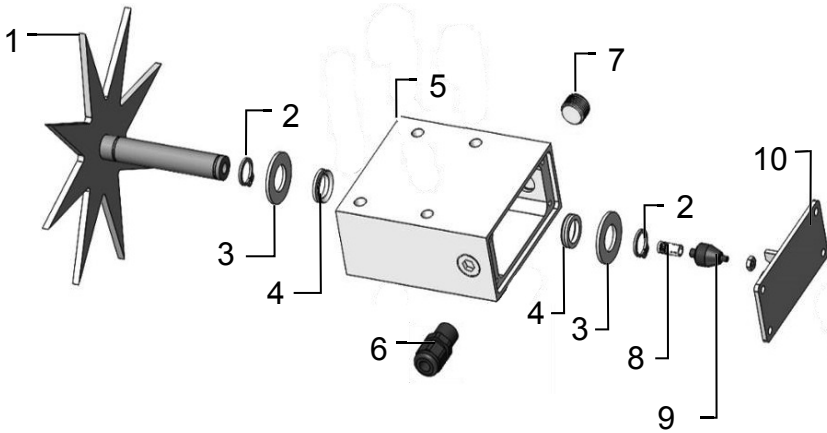


<u>Ref</u>	<u>Description</u>	<u>Part Number</u>	<u>Qty</u>
1	DCP Baler ISO/VT Harness	006-6650VA	1
2	EOB Extension for CNH BB Series	006-7400BBEXT	1
3	Key Switch Wire	006-5650K	1
4	End of Bale Sensor 600 Series	006-7400	1
5	End of Bale Sensor Bracket	001-4648	1
6	Terminating Connector 600 Series w/green cap	006-5650Z	1
7	DCP Shield/Cover	001-5650X	1
8	DCP Main Control LS 600 AUTO	006-6671LS	1
9	DCP Baler Harness 15 FT	006-6650LS(E)	1
10	DCP Tractor Harness	006-6650TM(E)	1
11	Dust Plugs	006-5651PLUGS	1
12	iPad Integration Control	030-6672C	1
NP	USB Cord	006-6672USBC	1
NP	End of Bale Sensor Extension (10')	006-7400EXT	1



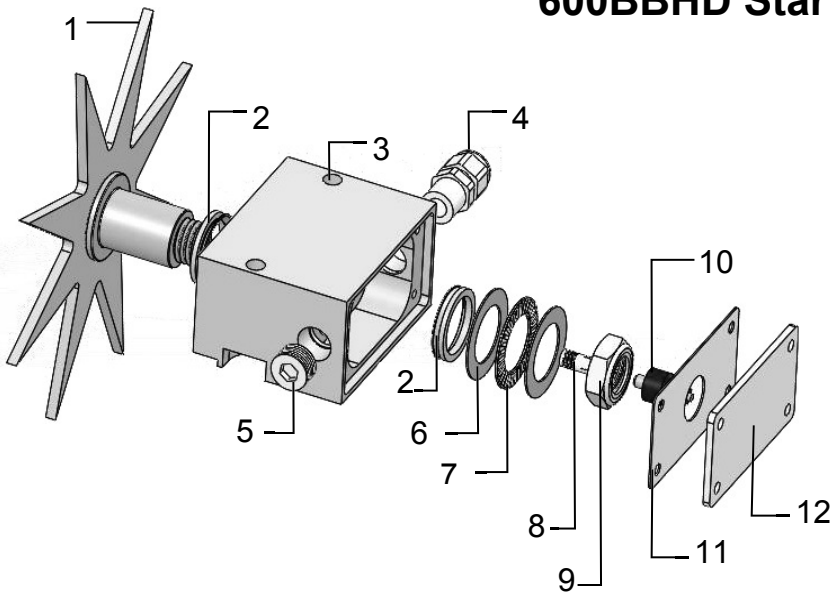
*Note: (E) indication is used for International Dealers

600BB Star Wheels



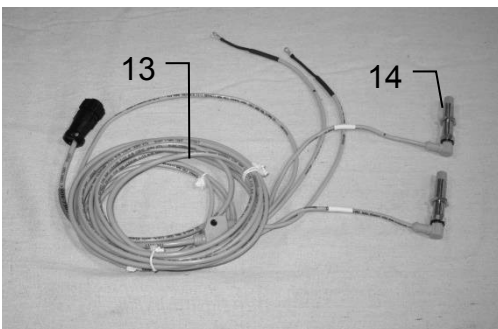
Ref	Description	Part#	Qty
1	Star wheel sensor	030-4641C	1
2	Snap ring (per side)	006-4641K	2
3	Washer (per side)	w/006-4641K	2
4	Dust seal (per side)	w/006-4641K	2
5	Star wheel block	006-4641A	1
6	Wiring grommet	008-0821A	1
7	Plug fitting	003-F38	2
8	Swivel insert	w/ Ref # 1	2
9	Electronic swivel	006-4642A	2
10	Block cover	006-4641B	2
11	Twine guard-left	001-4645	1
NP	Twine guard-right (prox)	001-4644	1
Star wheel Assembly		030-4641 (Ref 1-11)	

600BBHD Star Wheels



Ref	Description	Part#	Qty
1	Univ Star Wheel	006-4641S	1
2	Dust Seal	006-4641DSL	2
3	Univ Star Block	006-4641Q	1
4	3/8" NPT Cable Grip	008-0821A	1
5	3/8" NPT Plug	003-F38	1
6	Thrust Washer	006-4641TA	2
7	Thrust Bearing	006-4641TB	1
8	Swivel Insert	006-4642B	1
9	3/4" Short Nut	006-4641U	1
10	Rotary Swivel	006-4642A	1
11	Cover Gasket	006-4641RG	1
12	Univ Block Cover	006-4641R	1
NP	Prox Sensor Holder	006-4644SS	1
NP	SW Reinforcement	001-4644BBHD	2
Star Wheel Assembly (Ref 1-12)		030-4641U	

Bale Rate Sensors



Ref	Description	Part Number	Qty
13	Moisture & Bale Rate Harness	006-7303 HL(E)	2
14	Bale Rate Sensor	006-7303S	1
NP	Moisture & Bale Rate Harness (600BBHD)	006-7303HX	1

*Note: (E) indication is used for International Dealers