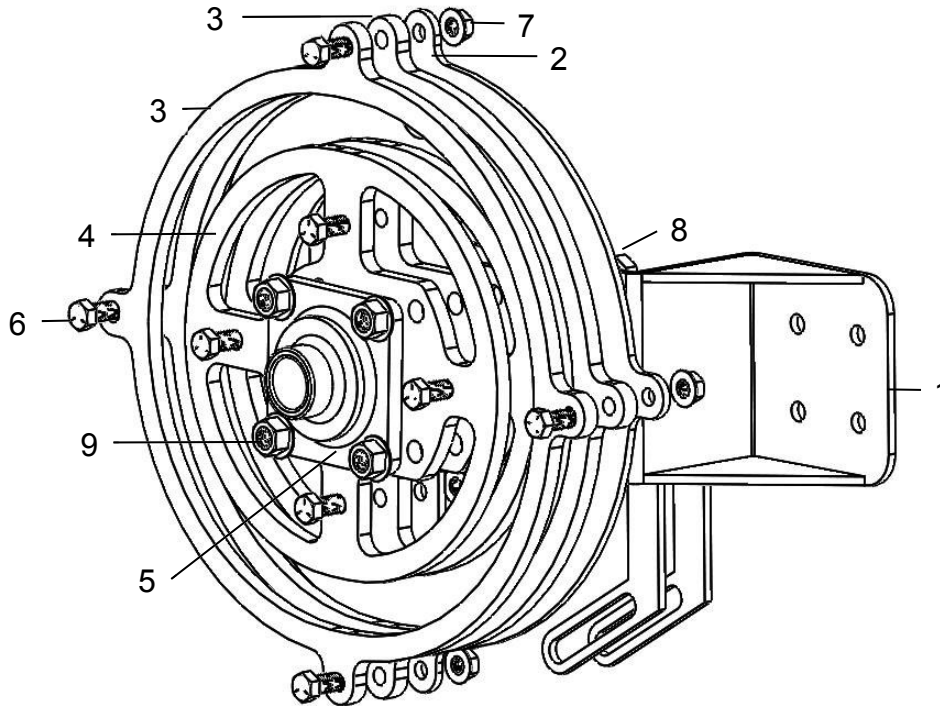
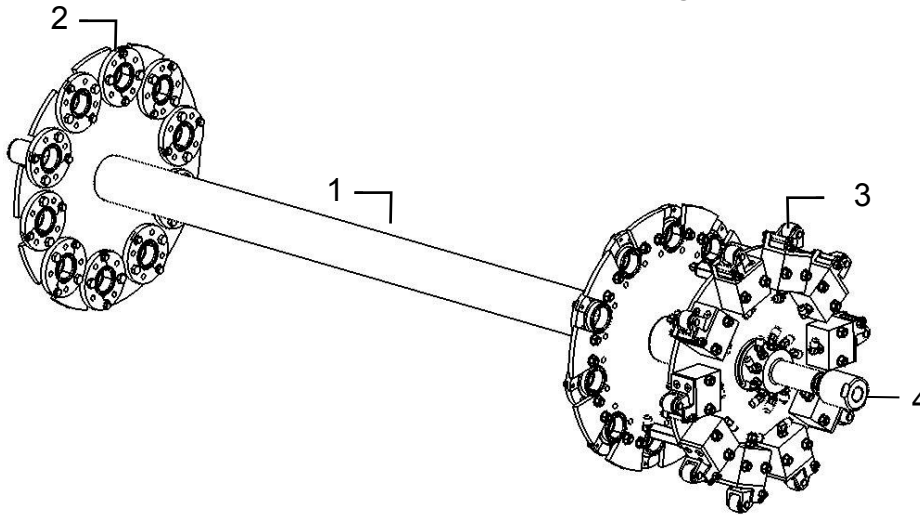


## Cam Mount Assembly



<u>Ref</u>	<u>Description</u>	<u>Part #</u>	<u>Qty</u>	<u>Ref</u>	<u>Description</u>	<u>Part #</u>	<u>Qty</u>
1	Cam Side Bracket	001-7209	1	8	1/2"-13 Flange Bolt	Hardware	4
2	Cam Track Back Plate	001-7203A	1	9	1/2"-13 Flange Nut	Hardware	4
3	Cam Track Outside Ring	001-7203B	2	NP	Idler Sprocket	001-7125	1
4	Cam Track Inner Ring	001-7203C	2	NP	5/8"-11 x 3" Bolt	Hardware	1
5	1 1/2" Bearing 4-Bolt	008-7137	1	NP	9/16" Flat washer	Hardware	8
6	1/2"-13 x 1 3/4" Bolt	Hardware	8	NP	5/8"-11 Nylock Nut	Hardware	1
7	1/2"-13 Flange Nut	Hardware	8				

## Reel Dumbbell Assembly



<u>Ref</u>	<u>Description</u>	<u>Part #</u>	<u>Qty</u>	<u>Ref</u>	<u>Description</u>	<u>Part #</u>	<u>Qty</u>
1	Reel Dumbbell	001-7201	1	3	Valve Assem	001-7204	10
2	X-Tube Bearing Assm-Refer to Parts Bkd		40	4	Inline Swivel	001-7222	1