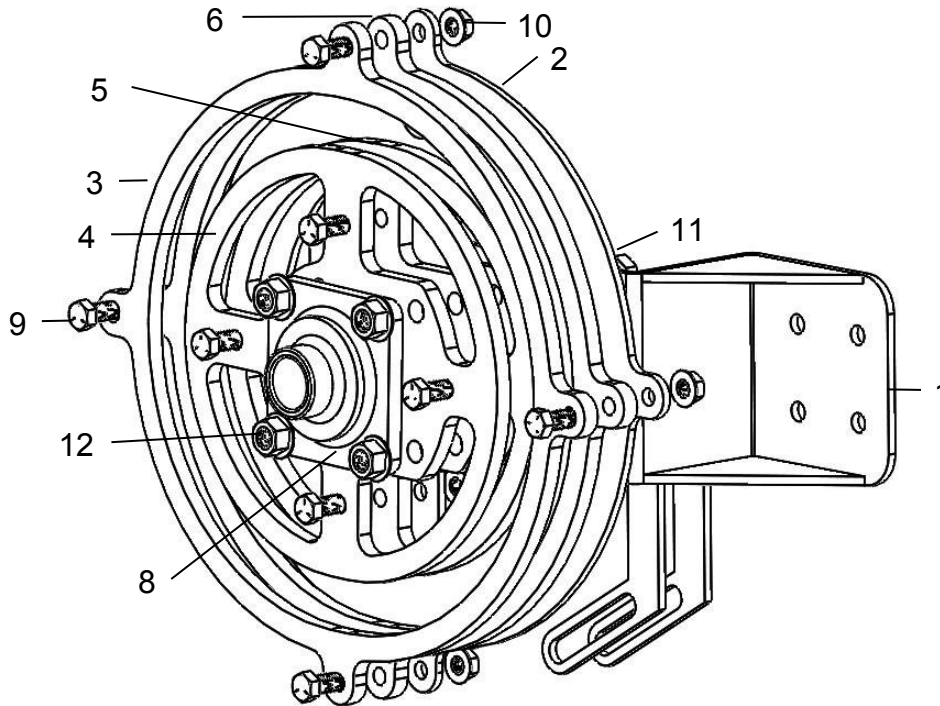
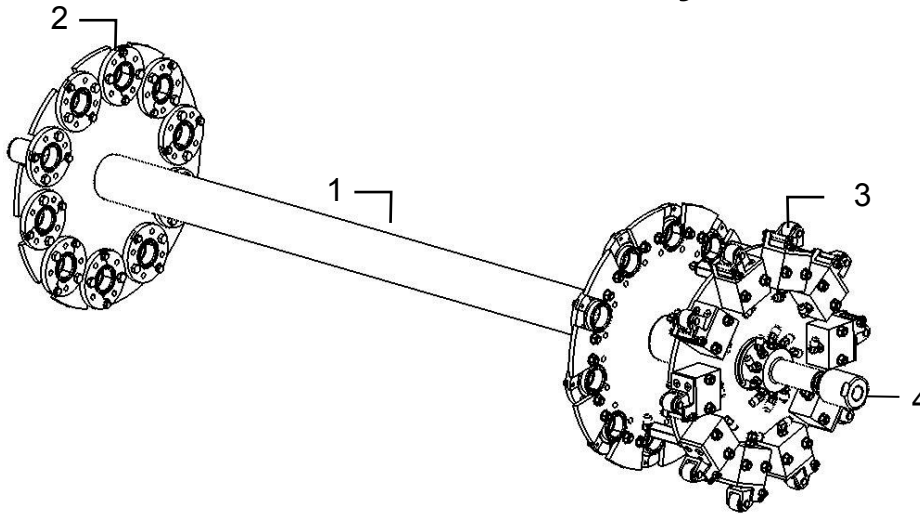


Cam Mount Assembly



<u>Ref</u>	<u>Description</u>	<u>Part #</u>	<u>Qty</u>	<u>Ref</u>	<u>Description</u>	<u>Part #</u>	<u>Qty</u>
1	Cam Side Bracket	001-7209	1	9	1/2"-13 x 1 3/4" Bolt	Hardware	8
2	Cam Track Back Plate	001-7203A	1	10	1/2"-13 Flange Nut	Hardware	8
3	Cam Track Outside Ring 1/2"	001-7203B	1	11	1/2"-13 Flange Bolt	Hardware	4
4	Cam Track Inner Ring 1/2"	001-7203C	1	12	1/2"-13 Flange Nut	Hardware	4
5	Cam Track Inner Ring 1/4"	001-7203D	1	NP	Idler Sprocket	001-7125	1
6	Cam Track Outer Ring 1/4"	001-7203E	1	NP	5/8"-11 x 3" Bolt	Hardware	1
7	Cam Track Bearing Spacer	001-7203F	1	NP	9/16" Flat washer	Hardware	8
8	1 1/2" Bearing 4-Bolt	008-7137	1	NP	5/8"-11 Nylock Nut	Hardware	1

Reel Dumbbell Assembly



<u>Ref</u>	<u>Description</u>	<u>Part #</u>	<u>Qty</u>	<u>Ref</u>	<u>Description</u>	<u>Part #</u>	<u>Qty</u>
1	Reel Dumbbell	001-7201	1	3	Valve Assem	001-7204	10
2	X-Tube Bearing Assm-Refer to Parts Bkd		40	4	Inline Swivel Swivel Rebuild	001-7222 001-7222RBK	1