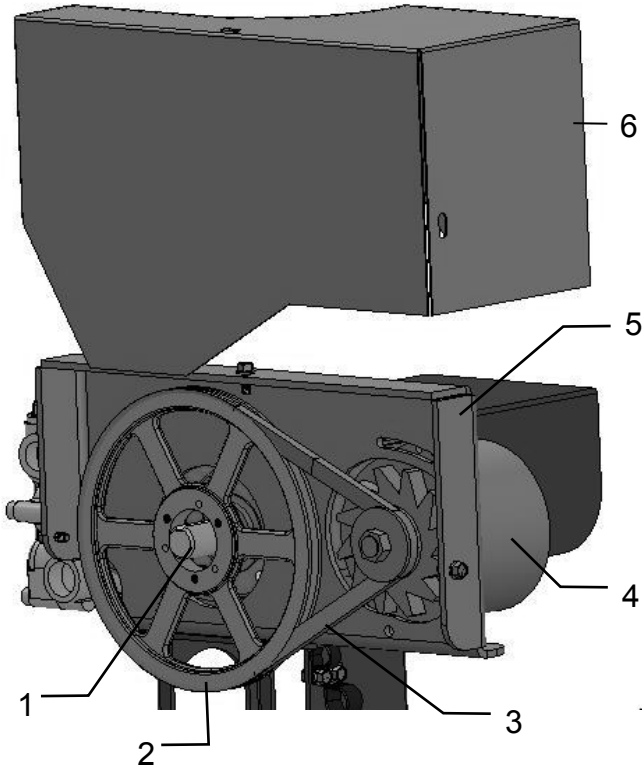
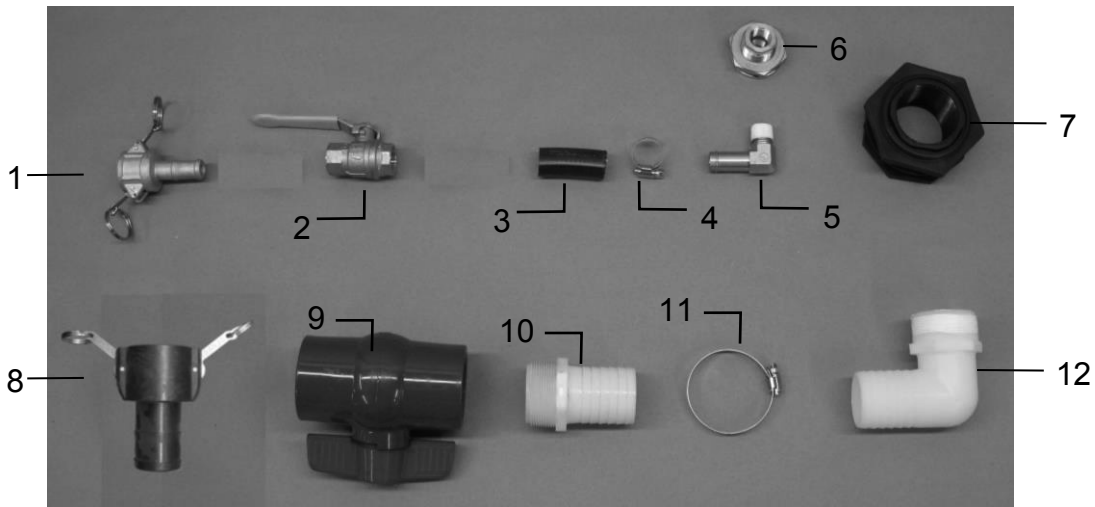


Cart Electrical Assembly



<u>Ref</u>	<u>Description</u>	<u>Part #</u>	<u>Qty</u>
1	QD Bushing 30mm	001-7221H	1
2	3V 10.6" Sheave QD	001-7221P	1
3	3VX400 Belt	001-7221B	1
4	Alternator 105A	001-7221A	1
5	Alternator Bracket	001-7220B	1
6	Alternator Shield	001-7220C	1
NP	Alternator to Battery + / -	006-7221WH	1
NP	Battery 12VDC, 47AGM	006-7221BAT	1
NP	Battery Box Bracket	001-7220D	1
NP	Battery Box, Ser24	006-7221BB	1
NP	Battery Post Adapter +	006-7221BTR	1
NP	Battery Post Adapter -	006-7221BTB	1

Trailer Parts



<u>Ref</u>	<u>Description</u>	<u>Part #</u>	<u>Qty</u>	<u>Ref</u>	<u>Description</u>	<u>Part #</u>	<u>Qty</u>
1	3/4" Cam Socket	002-2204E	1	8	2" Female Coupler	002-2205Y	1
2	3/4" Brass Valve	002-2200B	1	9	2" Valve	002-2220	1
3	3/4" Heater Hose	002-9719	15	10	2" x 2" Fitting	003-A2020	2
4	3/4" Hose Clamp	003-9004	4	11	2" Hose Clamp	003-9006	4
5	1/2" x 3/4" Elbow	003-DSEL1234	1	12	2" x 2" Elbow	003-EL2020	1
6	1/2" Fitting	005-9104SS	1	NP	2" PVC Tubing	002-9004	15
7	2" Tank Fitting	005-9102	1	NP	3/4"x3/4" Barb	003-A3434AL	2