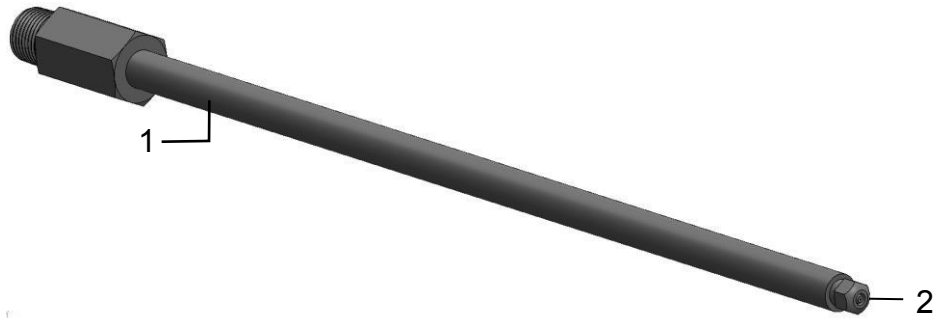


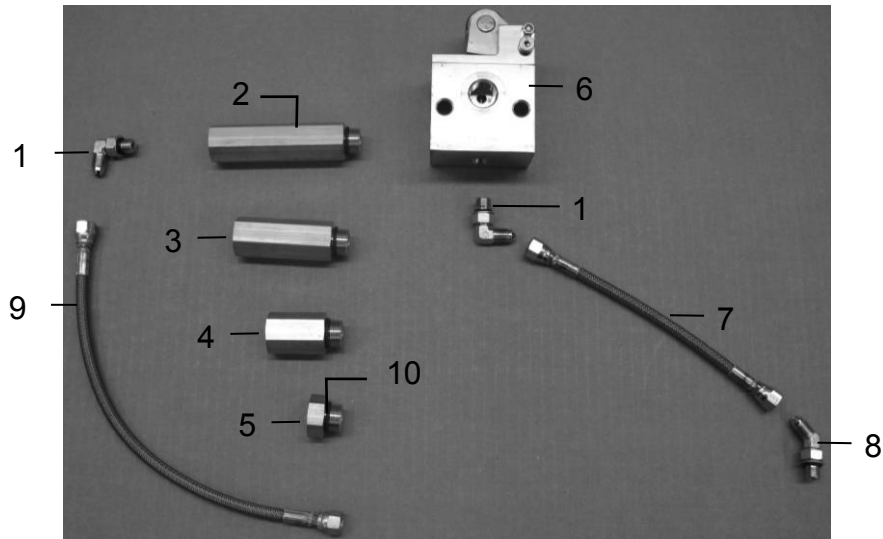
Parts Breakdown

Tine Assembly



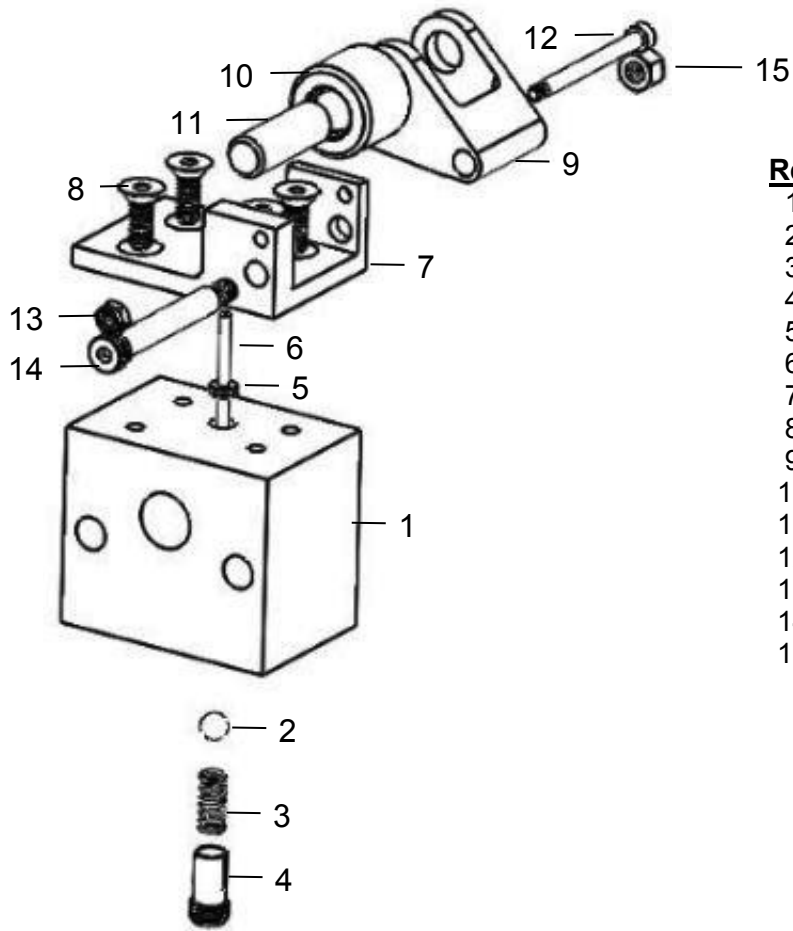
<u>Ref</u>	<u>Description</u>	<u>Part #</u>	<u>Qty</u>
1	Tine Assembly	001-7202	69
2	Tip for Tines (MW11)	004-7125	69
NP	Tip of Tines (MW5)	004-7123	
NP	1/2" Crosstube Plug	003-DSP12	20

Valve Assembly



<u>Ref</u>	<u>Description</u>	<u>Part #</u>	<u>Qty</u>	<u>Ref</u>	<u>Description</u>	<u>Part #</u>	<u>Qty</u>
1	Elbow 1/4" x 1/4"	003-DS1414EL	20	6	Valve Assembly	001-7204	10
2	3 3/4" Brass Standoff	001-7105D	4	7	Valve Hose 8"	002-7204A	10
3	2 5/8" Brass Standoff	001-7105C	6	8	45 Deg Elbow 1/4x1/4"	003-DS1414EL45	10
4	1 1/2" Brass Standoff	001-7105B	6	9	Valve Hose 12.5"	002-7204B	10
5	3/8" Brass Standoff	001-7105A	4	10	O-Ring	001-7105G	20

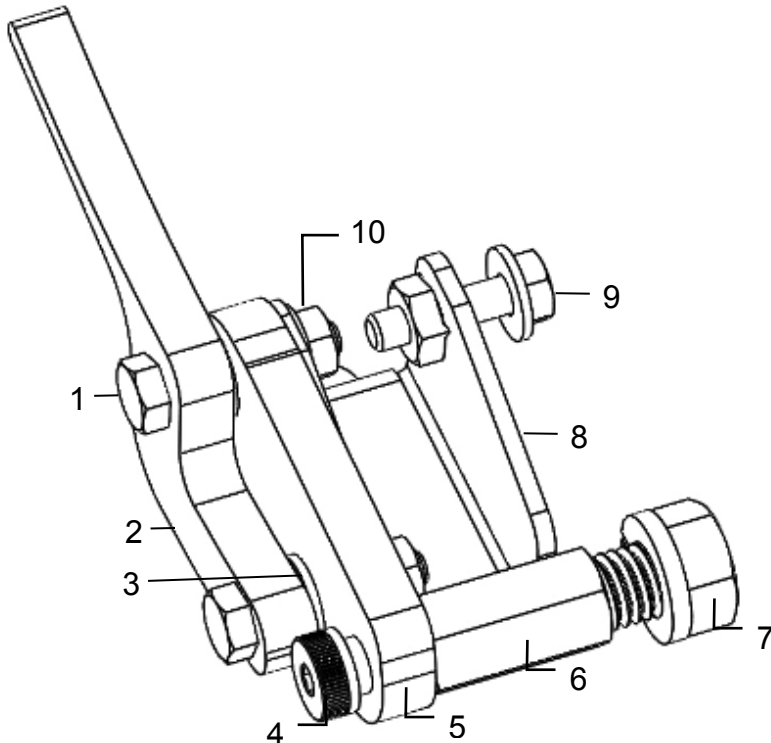
Valve Assembly Exploded View



<u>Ref</u>	<u>Description</u>	<u>Part #</u>	<u>Qty</u>
1	Valve Block	001-7204VD	1
2	Valve Ball	001-7104VF	1
3	Valve Spring	001-7104VG	1
4	Spring Retainer	001-7104VH	1
5	Quad Ring	001-7104VL	1
6	Plunger Pin	001-7104VE	1
7	Valve Plate	001-7204VB	1
8	Valve Screws	001-7204VK	4
9	Roller Bracket	001-7104VA	1
10	Roller	001-7204VI	1
11	Roller Pin	001-7204VJ	1
12	Stop Pin	001-7204VC	1
13	Stop Pin Nut	8-32 Nylock Nut	1
14	Pivot Pin	001-7204VB-2	1
15	Pivot Pin Nut	1/4"-20 Nylock Nut	1

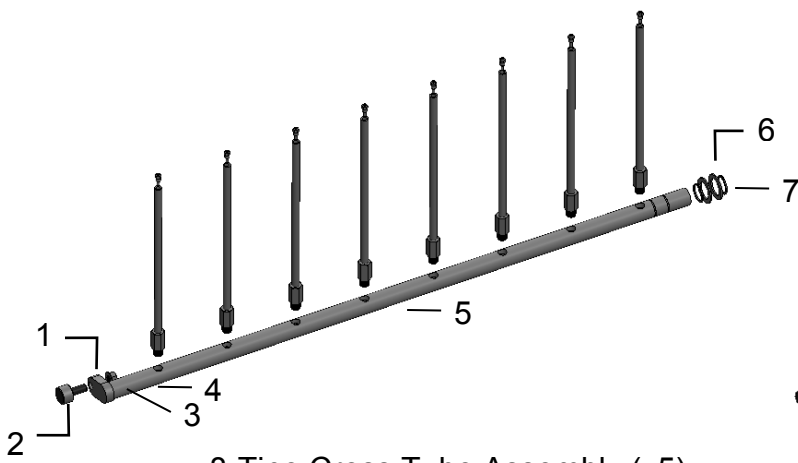
Valve Rebuild Kit 001-7204R
(Ref 2-6,12,14)

Valve Trip Assembly

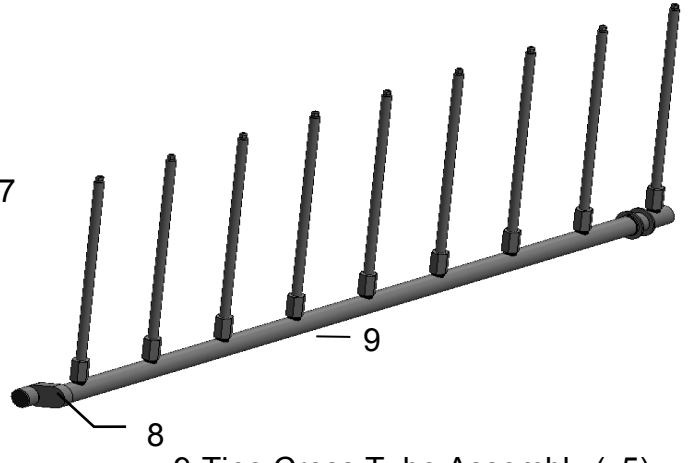


<u>Ref</u>	<u>Description</u>	<u>Part #</u>	<u>Qty</u>
1	Flange Bolt 1/4-20x1-1/4	Hardware	2
2	Trip Outline	001-7210C	1
3	1/4" Flat washer	Hardware	2
4	Shoulder Bolt	001-7210D	1
5	Trip Inside	001-7210B	1
6	5/16" - 1/2" Standoff	001-7210E	1
7	1/2-13x1 Flange Bolt	Hardware	1
8	Trip Bracket	001-7210FA	1
9	1/4-20x1 Flange Bolt	Hardware	1
10	1/4-20 Flange Nut	Hardware	2

Cross Tube Assembly



8-Tine Cross Tube Assembly (x5)

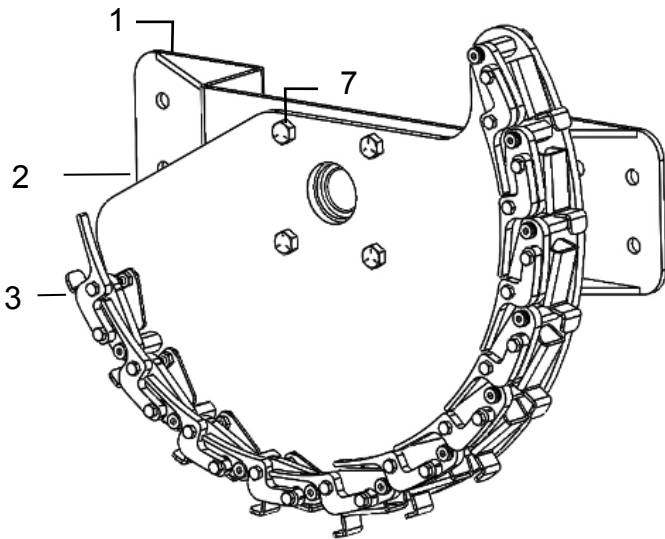


9-Tine Cross Tube Assembly (x5)

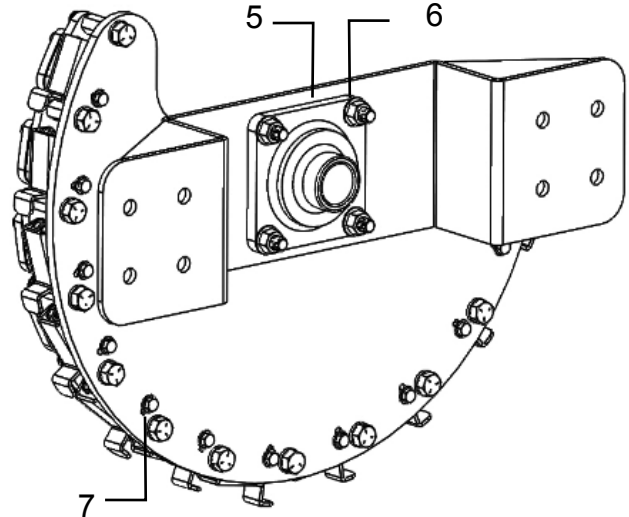
Ref	Description	Part #	Qty
1	Cam Grease Zerk	008-7121Z	1
2	1 1/2" Cam Bearing	008-7121	1
3	X-Tube Bearing Insert	001-7243B	4
4	X-Tube Bearing Holder	001-7243A	4
5	8-Tine X-Tube	001-7207	1

Ref	Description	Part #	Qty
6	Plastic Bearing Washer	008-4527	2
7	1 1/2" Snap Roto Clip	008-4577	2
8	1/2" Plug DS Regulator	003-DSP12	1
9	9-Tine X-Tube	001-7206	1

Trip Assembly



Front View

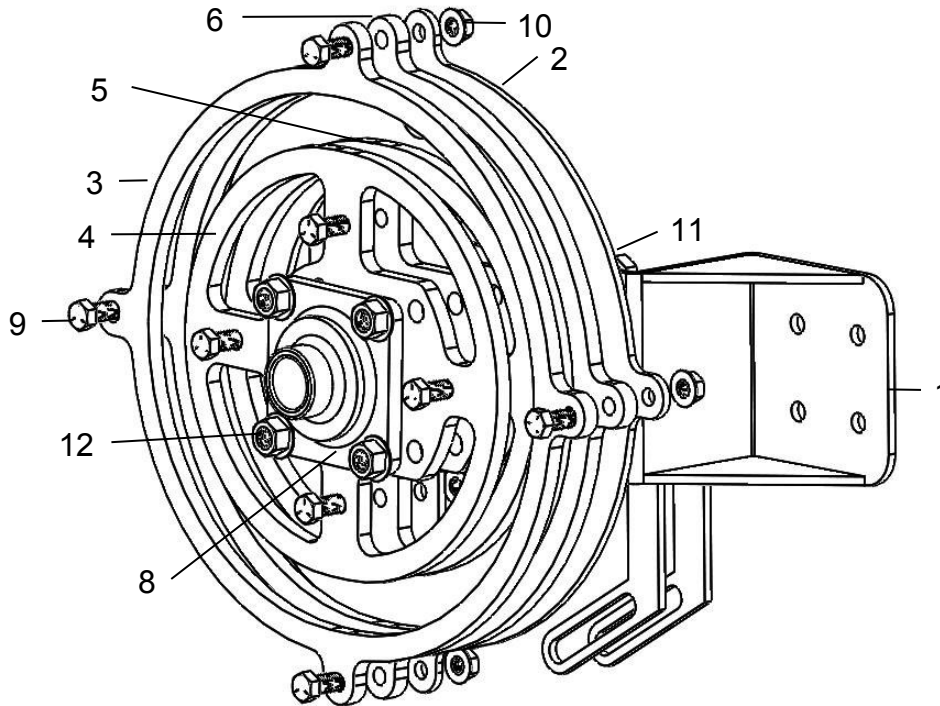


Reverse View

Ref	Description	Part #	Qty
1	Valve Side Bracket	001-7208	1
2	Trip Plate	001-7210A	1
3	Valve Trip Assembly	Previous pg	11
4	1/2-13 Flange Bolt	001-7210D	4

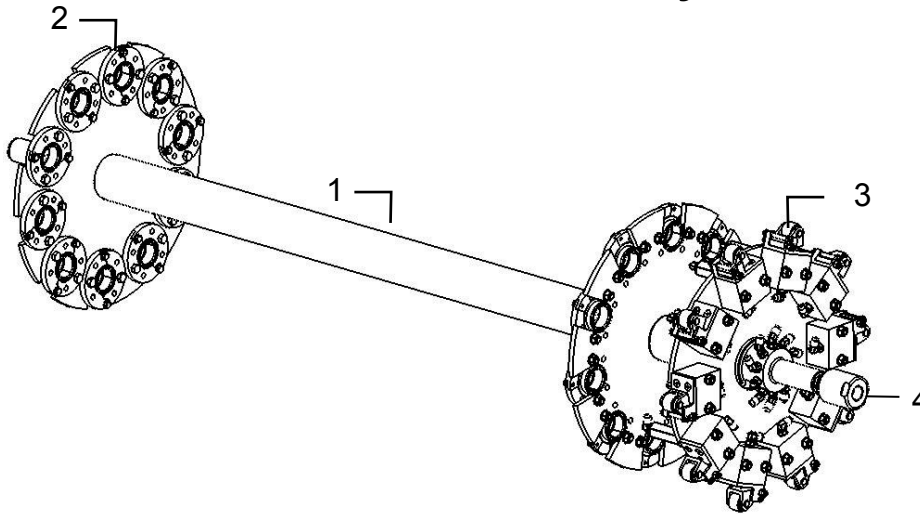
Ref	Description	Part #	Qty
5	1 1/2" Bearing 4 Bolt	008-7137	1
6	1/2-13 Flange Nut	Hardware	4
7	1/4 x 1" Adjustment Bolt	Hardware	

Cam Mount Assembly



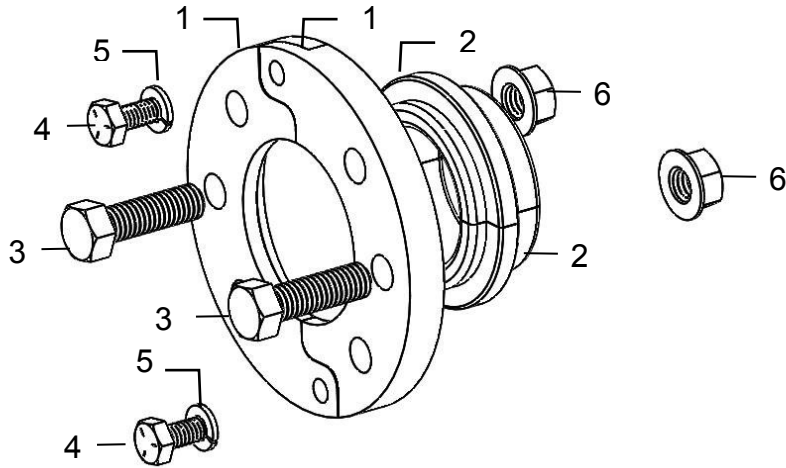
<u>Ref</u>	<u>Description</u>	<u>Part #</u>	<u>Qty</u>	<u>Ref</u>	<u>Description</u>	<u>Part #</u>	<u>Qty</u>
1	Cam Side Bracket	001-7209	1	9	1/2"-13 x 1 3/4" Bolt	Hardware	8
2	Cam Track Back Plate	001-7203A	1	10	1/2"-13 Flange Nut	Hardware	8
3	Cam Track Outside Ring 1/2"	001-7203B	1	11	1/2"-13 Flange Bolt	Hardware	4
4	Cam Track Inner Ring 1/2"	001-7203C	1	12	1/2"-13 Flange Nut	Hardware	4
5	Cam Track Inner Ring 1/4"	001-7203D	1	NP	Idler Sprocket	001-7125	1
6	Cam Track Outer Ring 1/4"	001-7203E	1	NP	5/8"-11 x 3" Bolt	Hardware	1
7	Cam Track Bearing Spacer	001-7203F	1	NP	9/16" Flat washer	Hardware	8
8	1 1/2" Bearing 4-Bolt	008-7137	1	NP	5/8"-11 Nylock Nut	Hardware	1

Reel Dumbbell Assembly



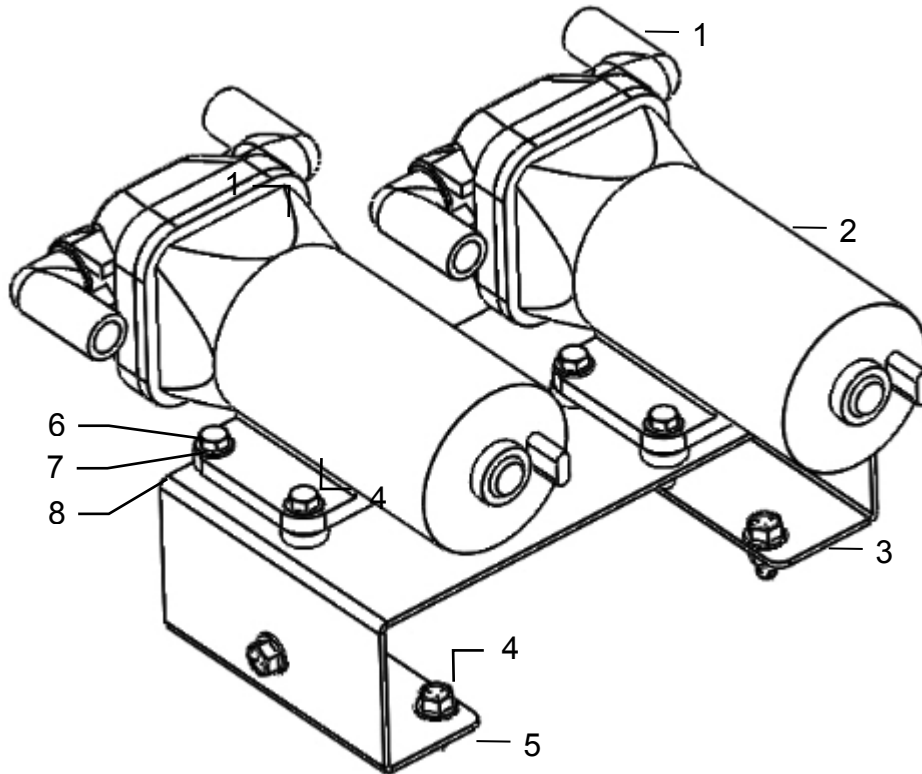
<u>Ref</u>	<u>Description</u>	<u>Part #</u>	<u>Qty</u>	<u>Ref</u>	<u>Description</u>	<u>Part #</u>	<u>Qty</u>
1	Reel Dumbbell	001-7201	1	3	Valve Assem	001-7204	10
2	X-Tube Bearing Assm-Refer to Parts Bkd		40	4	Inline Swivel Swivel Rebuild	001-7222 001-7222RBK	1

X-Tube Bearing Assembly



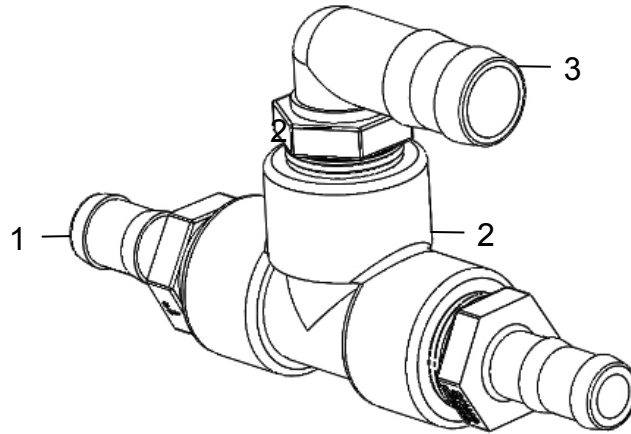
<u>Ref</u>	<u>Description</u>	<u>Part #</u>	<u>Qty</u>	<u>Ref</u>	<u>Description</u>	<u>Part #</u>	<u>Qty</u>
1	X-Tube Holder	001-7243A	2	4	1/4"-20 1/2" Bolt	Hardware	2
2	X-Tube Insert	001-7243B	2	5	1/4"-Lock Washer	Hardware	2
3	3/8"-16 1 1/4" Bolt	Hardware	4	6	3/8"-16 Flange Nut	Hardware	4

Perimeter Nozzle Pump Assembly



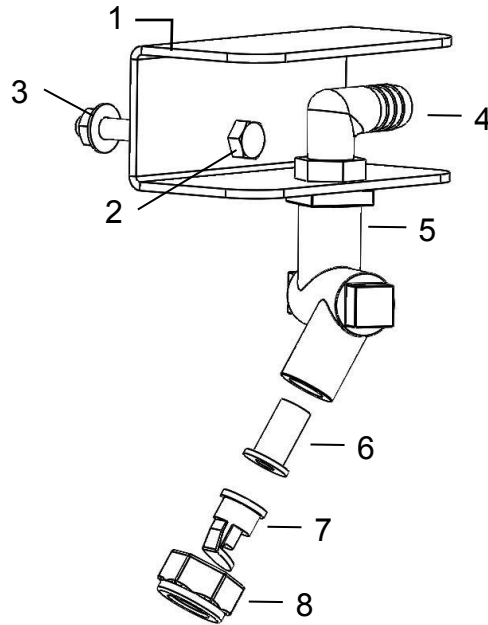
<u>Ref</u>	<u>Description</u>	<u>Part #</u>	<u>Qty</u>	<u>Ref</u>	<u>Description</u>	<u>Part #</u>	<u>Qty</u>
1	3/4" Elbow	007-4121K	4	5	5/16*18 Flange Nut	Hardware	4
NP	12V Pump Motor only	007-4121Q		6	1/4"-20 Hex bolt	Hardware	8
2	12V Pump	007-4210	2	7	1/4" Flat washer	Hardware	8
3	Perimeter Nozzle Brkt	001-7224A	1	8	1/4"-20 Hex Nut	Hardware	8
4	5/16-18 Flange Bolt	Hardware	4	NP	Pump top section	007-4122B	
NP	Pump Rebuild Kit	007-4584		NP	Pump top sec cap	007-4122C	

Perimeter Nozzle Pump Feed (2018 only)



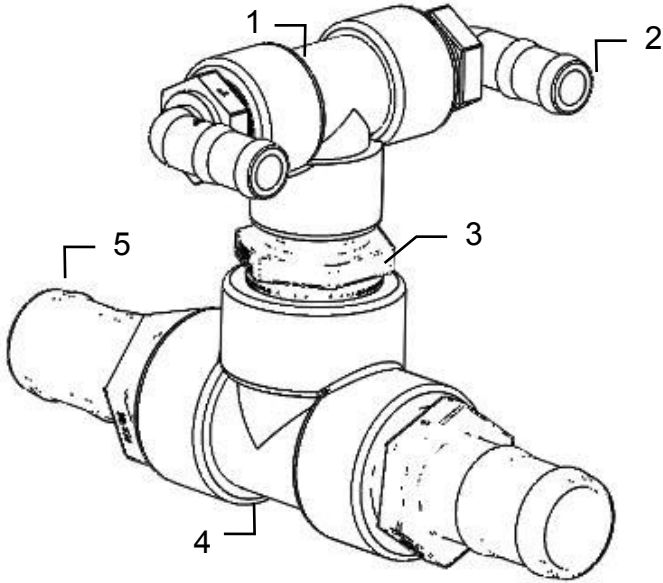
<u>Ref</u>	<u>Description</u>	<u>Part #</u>	<u>Qty</u>
1	1" x 1" HB	003-A100100HP	2
2	1" Tee	003-TT100HP	1
3	1" x 3/4" Elbow	003-EL10034HP	1
NP	1" PVC Suction Tubing	002-9005	10

Perimeter Nozzle Assembly



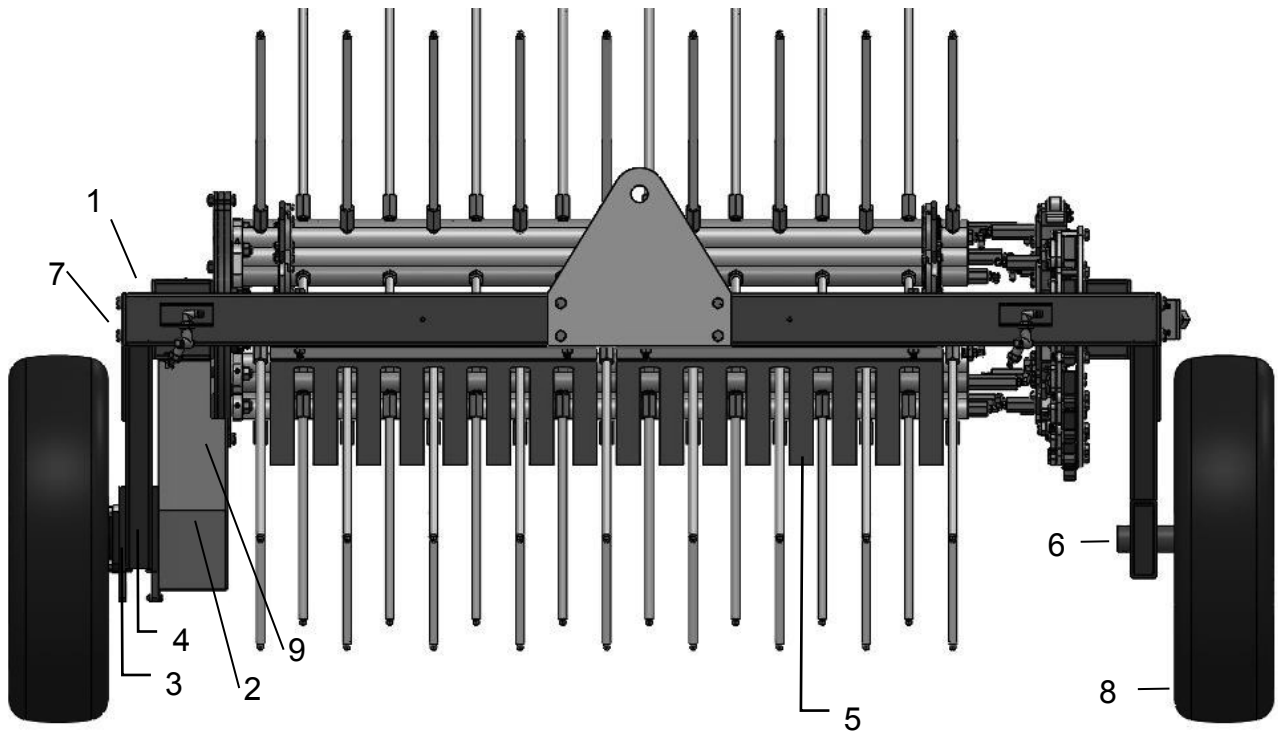
<u>Ref</u>	<u>Description</u>	<u>Part #</u>	<u>Qty</u>	<u>Ref</u>	<u>Description</u>	<u>Part #</u>	<u>Qty</u>
1	Nozzle Bracket	001-7227	2	6	Tip Strainer	004-1203-100	2
2	1/4" x 2-3/4 Hex Bolt	Hardware	2	7	Tips	004-TK-VP-100	2
3	1/4" Flange Nut	Hardware	4	8	Nozzle Cap	004-4723	2
4	1/4" x 1/2" Elbow	003-EL1412P	1	NP	Hose Clamp	003-9003	2
5	Swivel Body	004-4733	2	NP	1/2" Hose	002-9017	14

Perimeter Nozzle Supply Assembly (2019+)



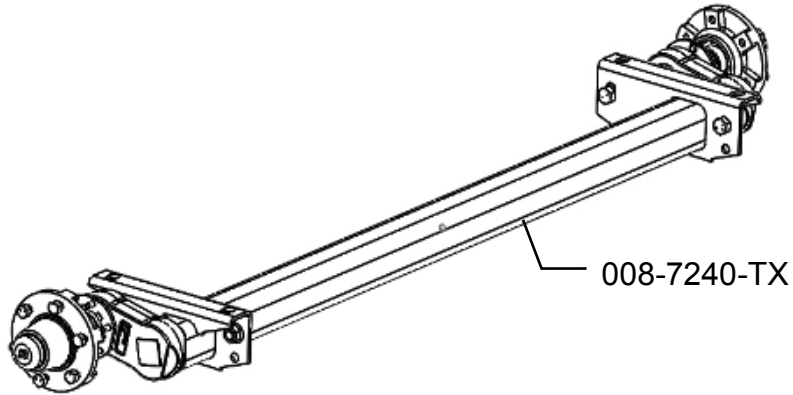
<u>Ref</u>	<u>Description</u>	<u>Part #</u>	<u>Qty</u>
1	1" Tee	003-TT100HP	1
2	1"x3/4" Elbow	003-EL10034HP	2
3	1-1/2"x1" Nipple	003-M112100HP	1
4	1-1/2" Tee	003-TT112HP	1
5	1-1/2"x1-1/2" Barb	003-A112112HP	2

Reel Assembly

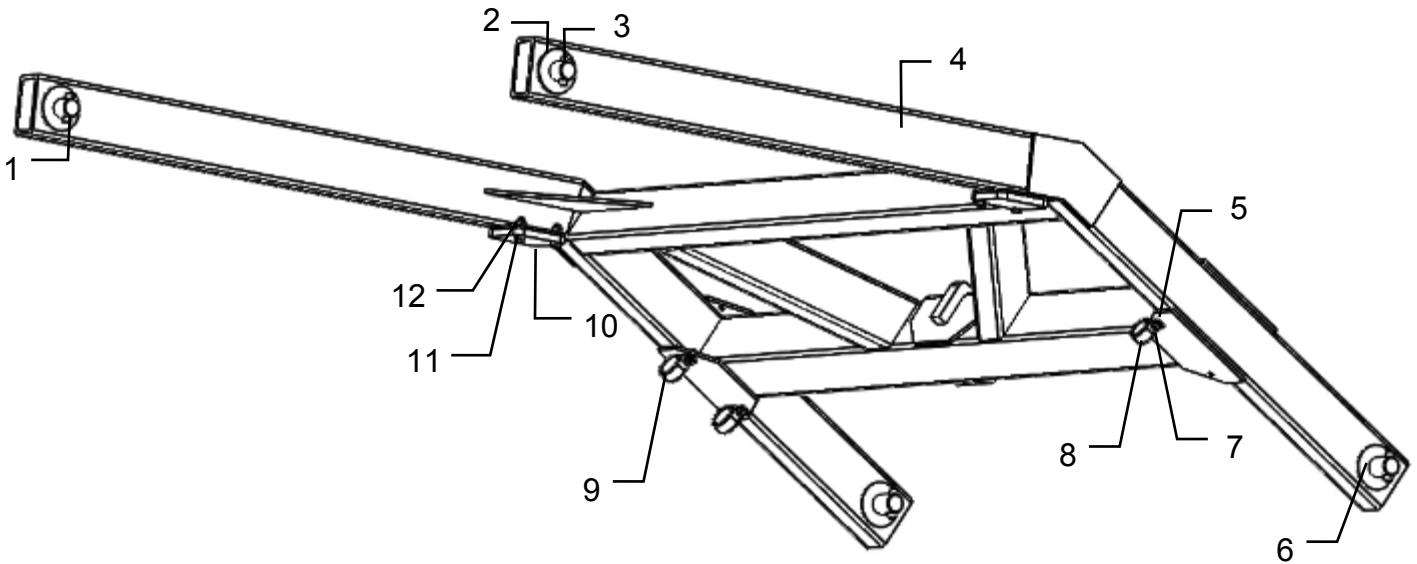


<u>Ref</u>	<u>Description</u>	<u>Part #</u>	<u>Qty</u>	<u>Ref</u>	<u>Description</u>	<u>Part #</u>	<u>Qty</u>
1	Reel Frame Assembly	001-7218	1	9	Chain Shield	001-7233	1
2	1 1/2" Drive Sprocket	001-7124C	1	NP	Rim - 4 Bolt	008-7130	2
3	1 1/2" Bearing Bolt-on	008-7137	2	NP	Rim Bolts for 4 Bolt	008-7130B	4
4	Drive Wheel Shaft	001-7241	1	NP	Roller Chain #50	008-7142	4
5	Windguard Assembly	001-7217	2	NP	Roller Chain Splice #50	008-7142A	1
6	Hub Spindle Assembly	001-7218B	1	NP	Roller Chain 1/2 Link #50	008-7142B	1
7	Reel Backing Plate	001-7209E	4	NP	Key 3/8" x 3/8" x 1 1/2"	001-7124D	1
8	Reel Tire	008-7139	2				

Torsion Axle

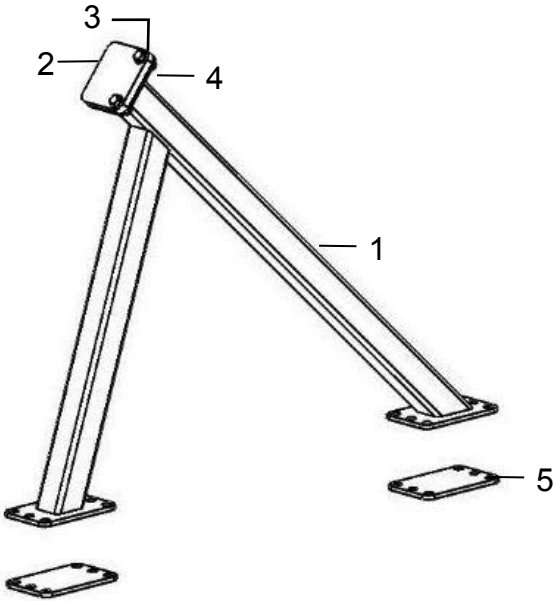


Lift Arm Assembly



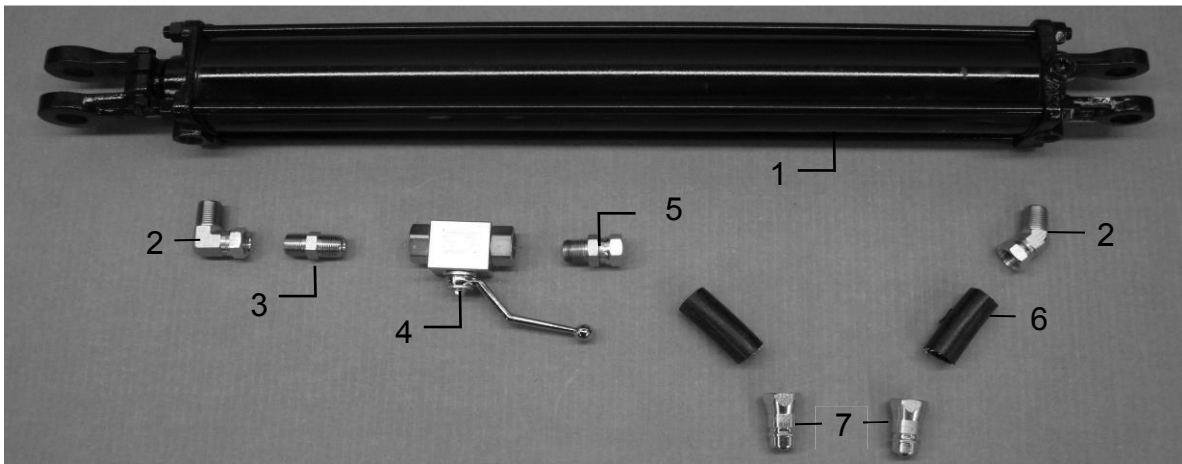
<u>Ref</u>	<u>Description</u>	<u>Part #</u>	<u>Qty</u>	<u>Ref</u>	<u>Description</u>	<u>Part #</u>	<u>Qty</u>
1	Reel Pin	001-7216A	2	7	5/16"-18 Flangebolt	Hardware	2
2	Thrust Bushing	008-7146B	8	8	1" Jiffy Clip	008-9009	4
3	Zinc Roll Pins	001-7144	8	9	1-1/2" Jiffy Clip	008-9112	2
4	Lift Arm Assembly	001-7211	1	10	Lift Arm Bumper	001-7223B	2
5	5/16"-18 Flange nut	Hardware	2	11	3/8"-16 Flange bolt	Hardware	4
6	Cart Pin	001-7216B	2	12	3/8-16 Flange nut	Hardware	4

Lift Arm Support Assembly



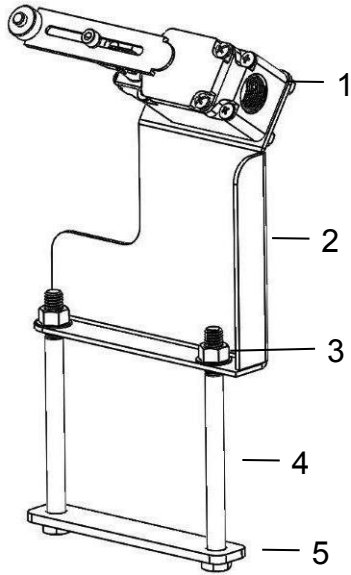
<u>Ref</u>	<u>Description</u>	<u>Part #</u>	<u>Qty</u>
1	Support Bracket	001-7223	1
2	Rubber Bumper	001-7223B	2
3	3/8\"-16 x1 1/2\" Flange Bolt	Hardware	2
4	3/8\"-16 Flange Nut	Hardware	2
5	Support Bracket Plate	001-7223A	2
NP	1/2\"-13x5\" Flange Bolt	Hardware	6
NP	1/2\"-13 Flange Nut	Hardware	6

Hydraulic Cylinder Assembly



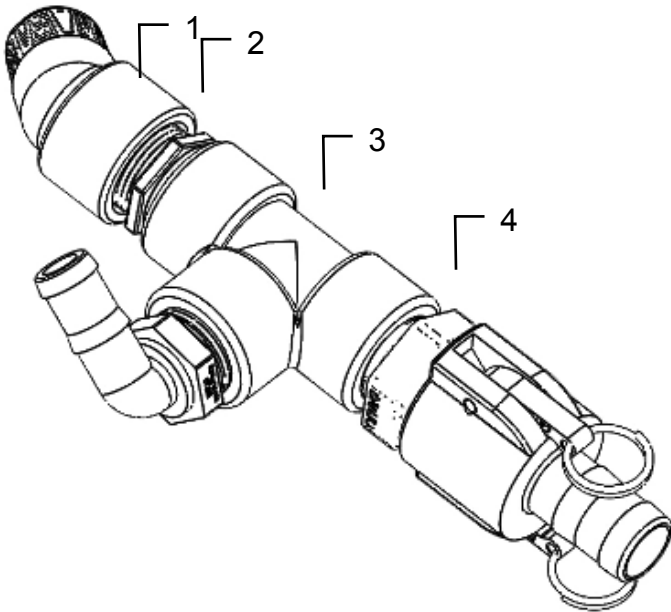
<u>Ref</u>	<u>Description</u>	<u>Part #</u>	<u>Qty</u>	<u>Ref</u>	<u>Description</u>	<u>Part #</u>	<u>Qty</u>
1	3\"x24\" Hydraulic Cylinder	008-7132	1	5	Restrictor	003-9716	1
2	1/2\" Swivel Elbow	003-DSEL1212	2	6	1/2\" Hydraulic Hose 14'	002-9714	2
3	1/2\" Nipple	003-DSM1212	1	7	Pioneer Coupler	003-9715	2
4	Ball Valve	002-2221	1				
5	Restrictor	003-9716	1				

Limit Switch Assembly



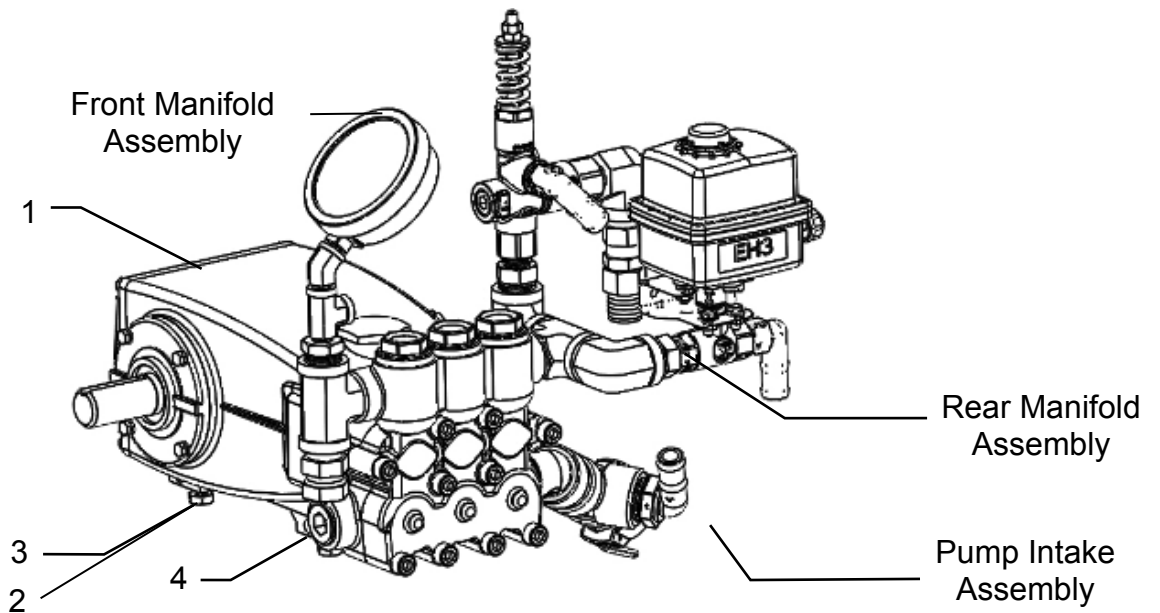
<u>Ref</u>	<u>Description</u>	<u>Part #</u>	<u>Qty</u>
1	Limit Switch Lift Arm	006-7200LS	1
2	Limit Switch Bracket	001-7221	1
3	3/8"-16 Flange Nut	Hardware	2
4	3/8"-16 Bolt	Hardware	2
5	Nozzle Backing Plate	001-7225	1
NP	3/8 x 1/2 Elbow	003-EL3812P	1

Pump Intake Assembly

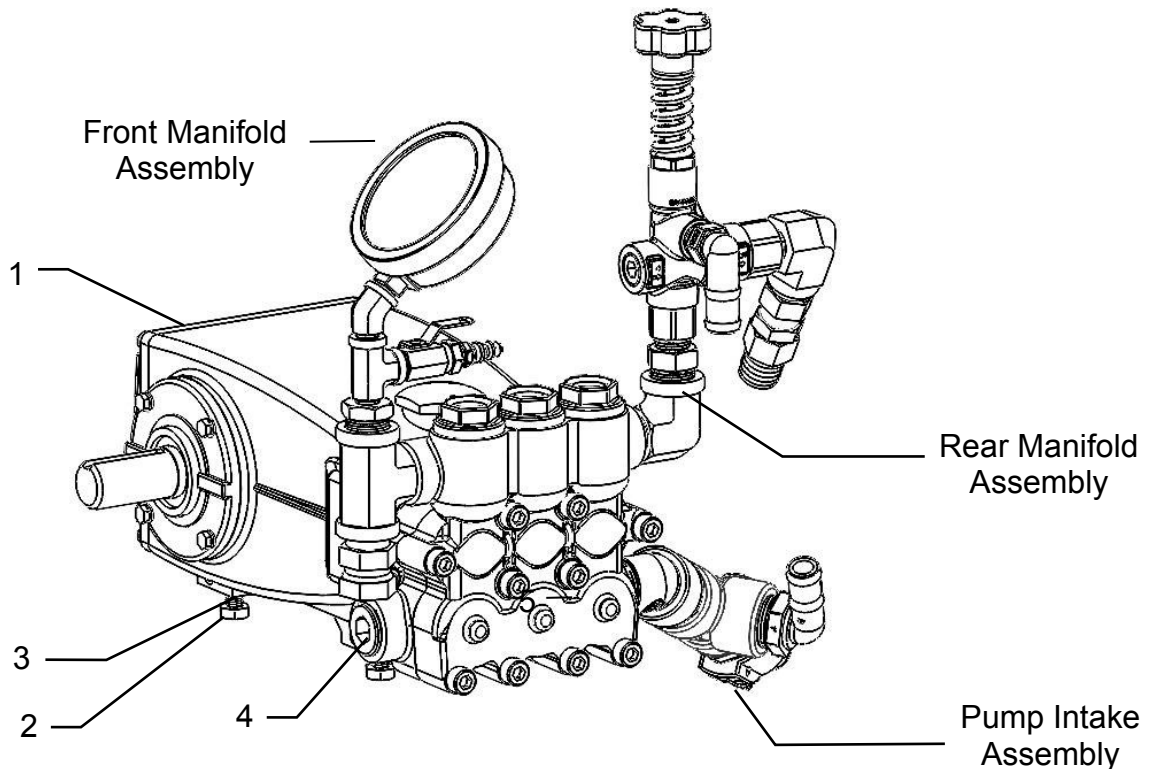


<u>Ref</u>	<u>Description</u>	<u>Part #</u>	<u>Qty</u>
1	1"x1" 45 Deg Elbow	003-SE45100HP	1
2	1" Nipple	003-M100100HP	1
3	1" Tee	003-TT100HP	1
4	Male Coupler	002-2204O	1
5	1"x1" Female Coupler	002-2205J	1
6	1"x3/4" Elbow	003-EL10034HP	1

Pump Assembly (2018-2019)



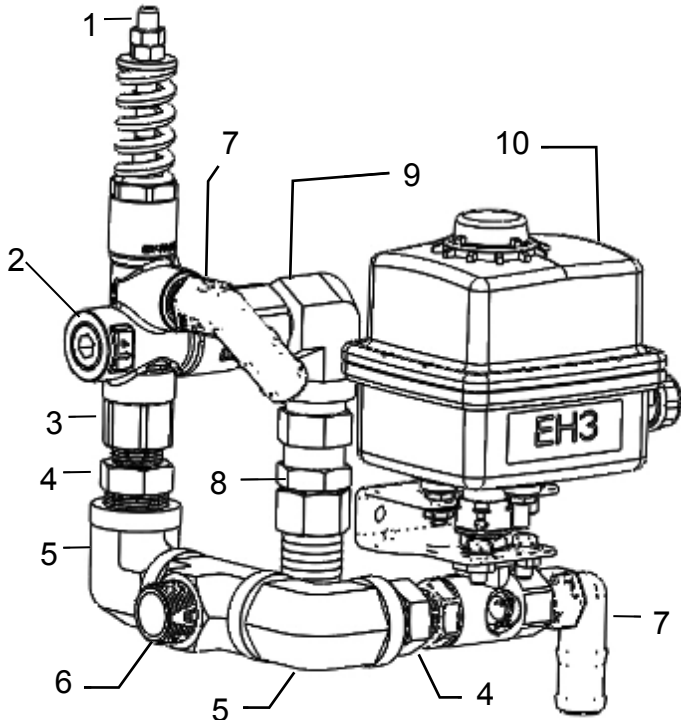
Pump Assembly (2020+)



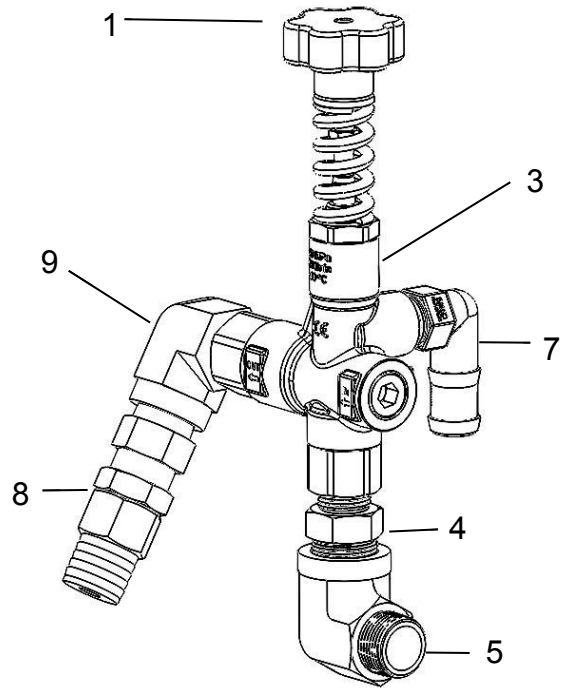
<u>Ref</u>	<u>Description</u>	<u>Part #</u>	<u>Qty</u>	<u>Ref</u>	<u>Description</u>	<u>Part #</u>	<u>Qty</u>
1	720 Main Pump	007-7227	1	NP	Key M8x7x40	007-7227B	1
2	M10x1.0x25mm	Hardware	4	NP	PTO Shaft Cover	007-7227C	1
3	M10 Lock washer	Hardware	4	NP	PTO Driveline	008-7226	1
4	1" Pump Plug	003-DSP100	1	NP	Pump Oil	009-7227oil	2

Pump Rear Assembly

2018-2019



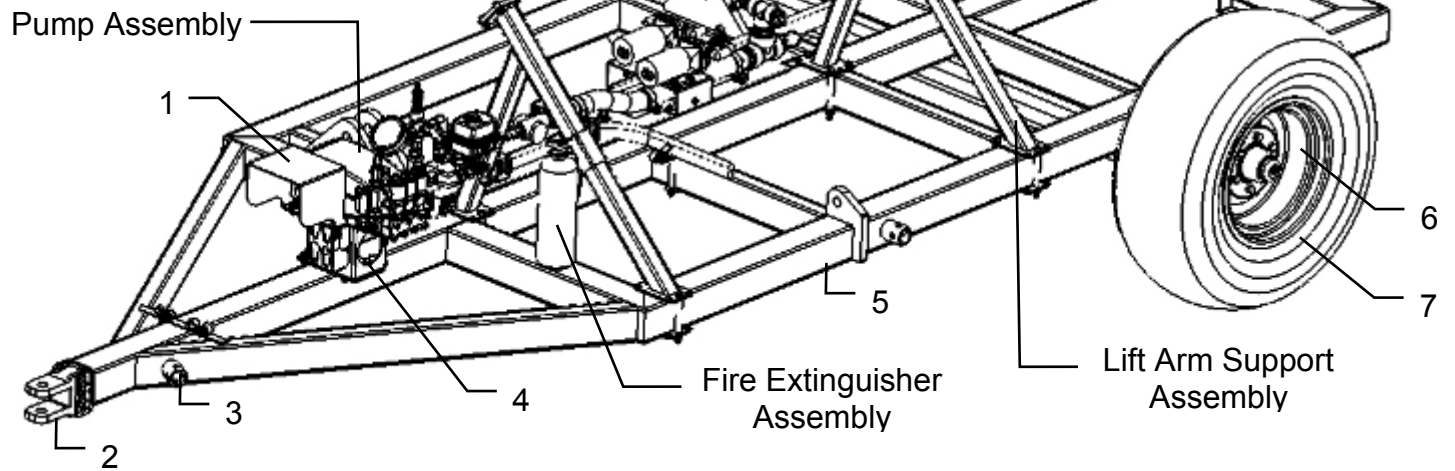
2020+



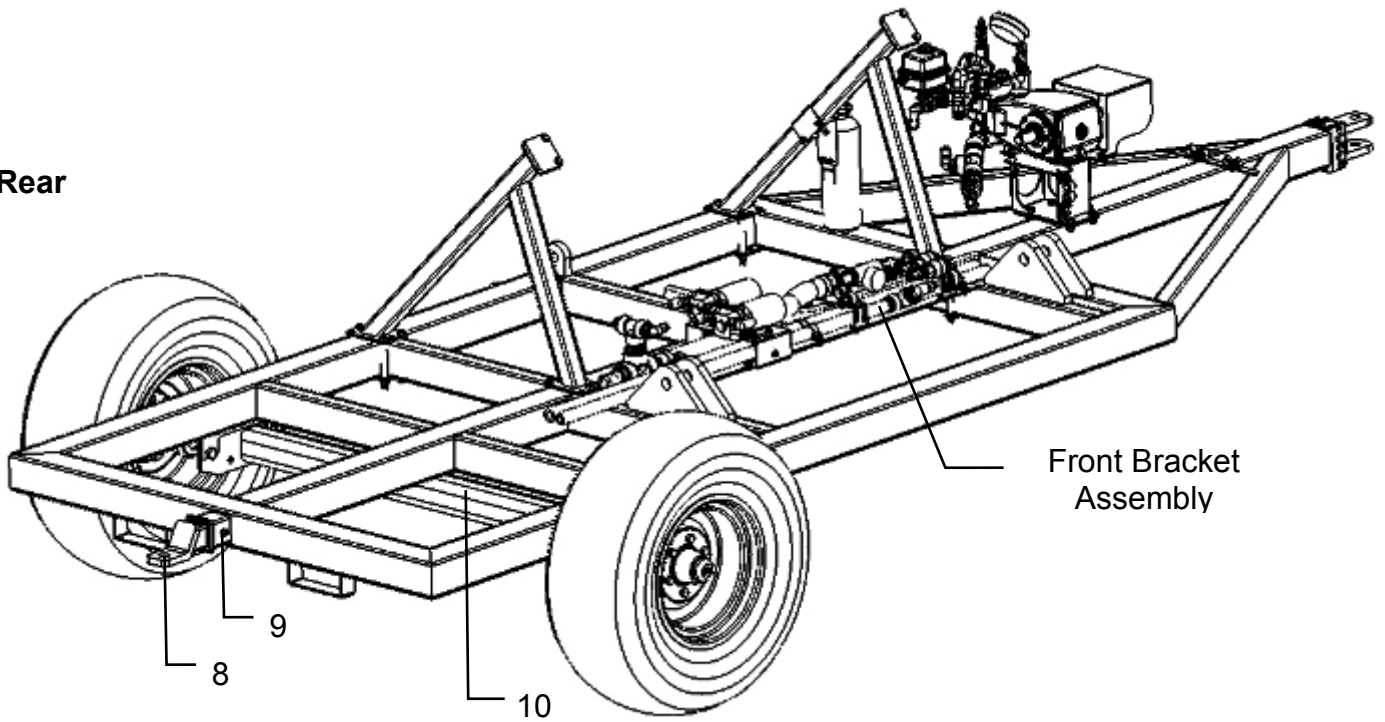
<u>Ref</u>	<u>Description</u>	<u>Part #</u>	<u>Qty</u>
1	Unloader Knob	002-7135L	1
2	1/2" Regulator Plug	003-DSP12	1
3	Unloader Valve	002-7133	1
4	3/4"x1/2" Nipple	003-DSM3412	1
5	3/4"x3/4" Elbow	003-DSSE34	1
6	3/4" Tee	003-DSBT34	1
7	1/2"x3/4" Elbow HB	003-EL1234HP	1
8	Pop-Off Valve	002-7132	1
9	1/2"x3/4" Elbow	003-DSSE1234	1
10	1/2" SS 2Way Valve	002-2203DV	1

Cart Frame

Front

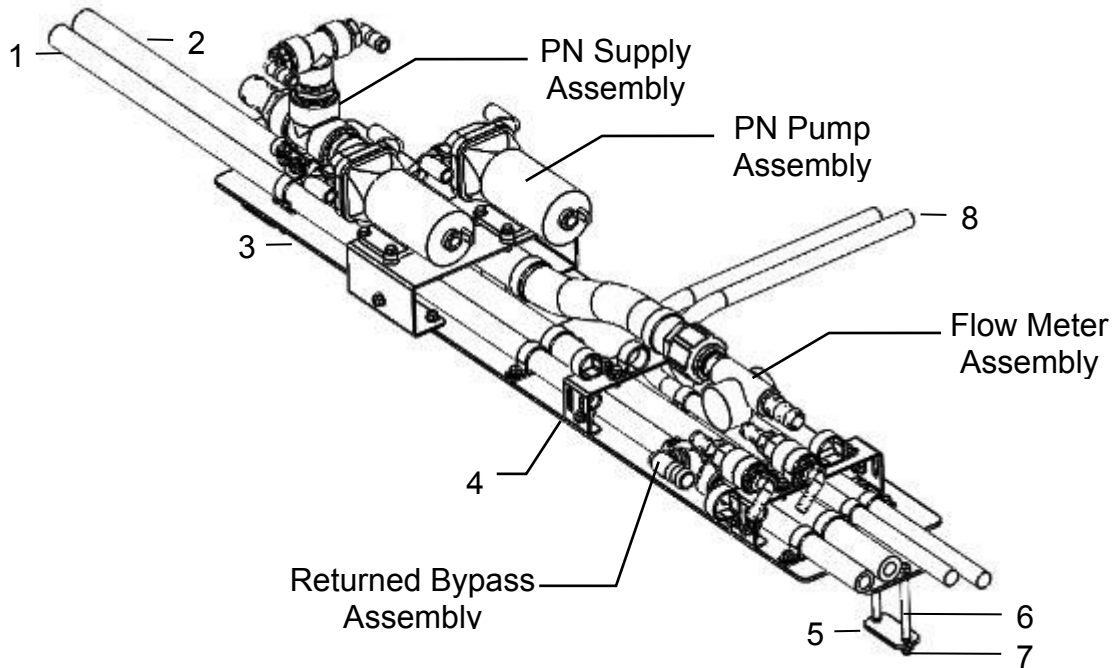


Rear



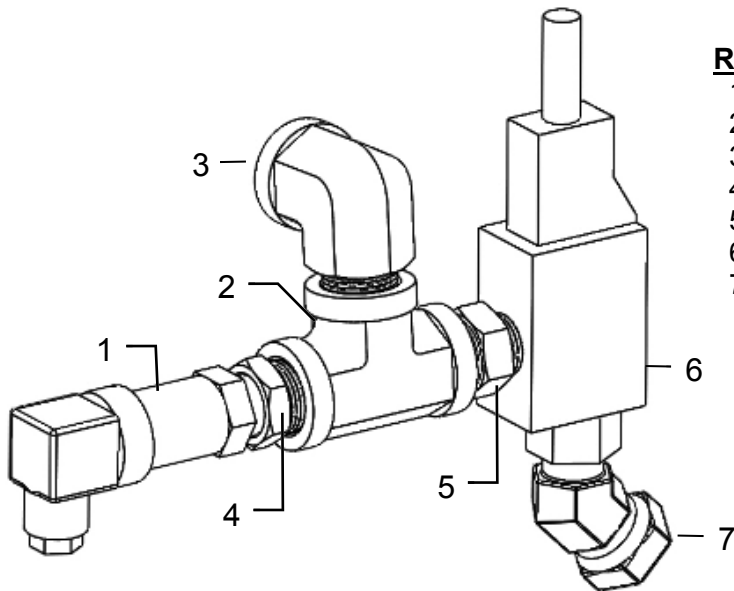
<u>Ref</u>	<u>Description</u>	<u>Part #</u>	<u>Qty</u>	<u>Ref</u>	<u>Description</u>	<u>Part #</u>	<u>Qty</u>
1	PTO Shield	001-7248	1	6	Cart Rim	008-7231	2
2	Clevis Hitch	001-7219A	1	7	Tire	008-7240	2
3	Jack Topwind	008-7133	1	8	2-12"x8 Receiver Hitch	001-7219B	1
4	Pump Bracket	001-7220A	1	9	Receiver Pin	001-7219C	1
5	Cart Frame Assembly	001-7220	1	10	Torsion Axel	008-7240-TX	1
				NP	PTO Yoke	008-7226MY	

Front Bracket Assembly



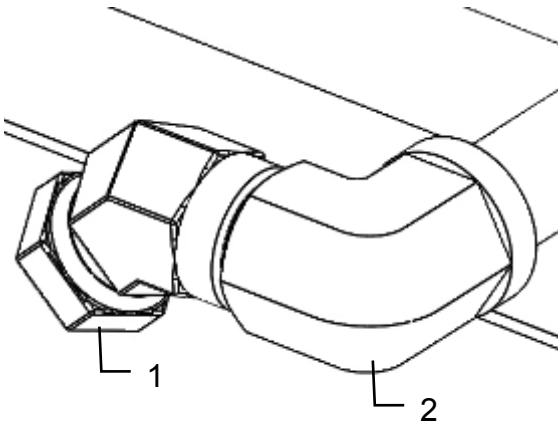
<u>Ref</u>	<u>Description</u>	<u>Part #</u>	<u>Qty</u>	<u>Ref</u>	<u>Description</u>	<u>Part #</u>	<u>Qty</u>
1	3/4" Rubber Hose	002-9007	1	5	2" Tue Clamp	001-7224G	2
2	Supply Hose	002-9715	1	6	3/8-16 Hex Bolt	Hardware	4
3	FS Base Plate	001-7224E	1	7	3/8-16 Flange Nut	Hardware	4
4	FS #1 Bracket	001-7224F	2	8	1/2" Hydraulic Hose 14'	002-9714	2

H1 Inlet Assembly



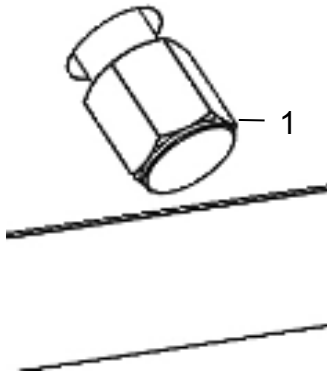
<u>Ref</u>	<u>Description</u>	<u>Part #</u>	<u>Qty</u>
1	Temperature Probes	006-4732	1
2	3/4" Tee	003-DSTT34	1
3	3/4" 90 Deg Elbow	003-DSSE34	1
4	3/4"x1/2" Reducer	003-DSRB3412	1
5	3/4"x1/2" Nipple	003-DSM3412	1
6	Flow Switch	006-4731	1
7	1/2"x3/4" 45 Deg Elbow	003-DSEL1234S	1

H1 Outlet Assembly



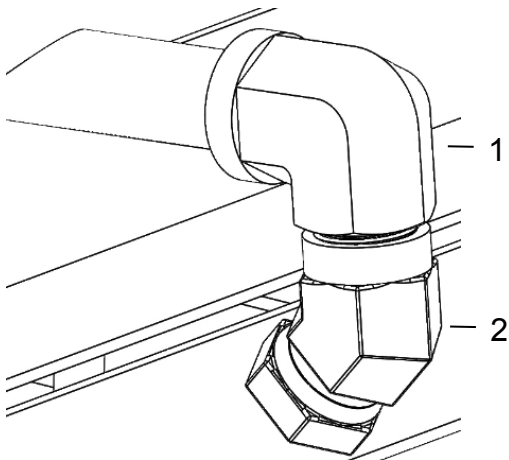
<u>Ref</u>	<u>Description</u>	<u>Part #</u>	<u>Qty</u>
1	3/4" 90 Deg St Elbow	003-DSSE34	1
2	3/4" 45 Deg Swivel	003-DSSE4534S	1

H1 Teeport Plug



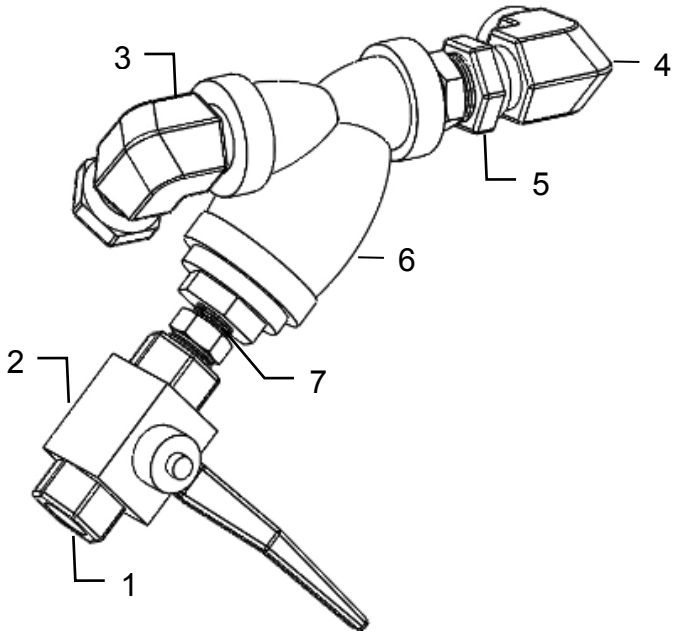
<u>Ref</u>	<u>Description</u>	<u>Part #</u>	<u>Qty</u>
1	3/4" Female Plug	003-DSP34F	1

H2 Inlet Assembly



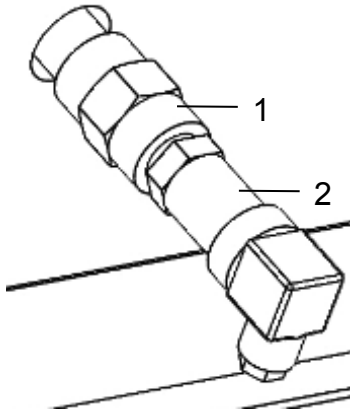
<u>Ref</u>	<u>Description</u>	<u>Part #</u>	<u>Qty</u>
1	3/4" 45 Deg Swivel	003-DSSE4534S	1
2	3/4" 90 Deg St Elbow	003-DSSE34	1

H2 Outlet Assembly (2018 & 2019 models only)



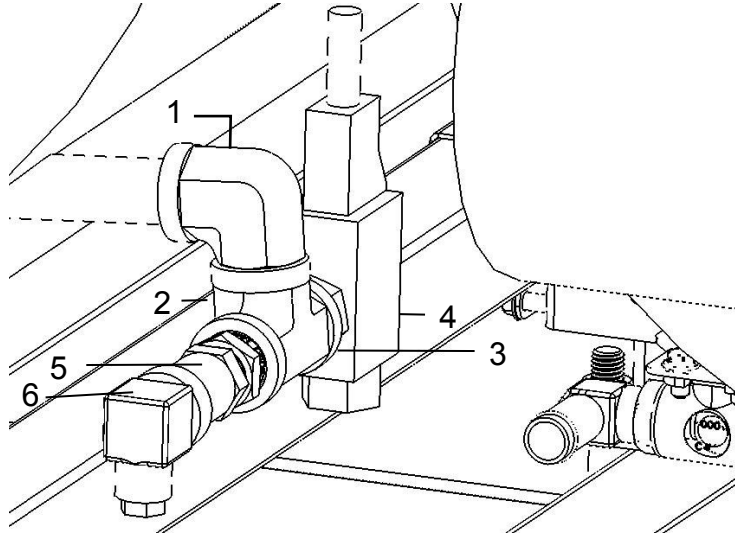
<u>Ref</u>	<u>Description</u>	<u>Part #</u>	<u>Qty</u>
1	1/2"x3/4" Fitting	003-DS1234	1
2	Dew Sim. Ball Valve	002-2221	1
3	3/4"x3/4" Elbow Swivel	003-DSSE3434S	1
4	3/4" Female Street Elbow Swivel	003-DSSE3434FS	1
5	3/4"x3/4" Nipple	003-M3434	1
6	3/4" Y Strainer	002-4320	1
NP	200 Mesh Screen	002-4320E	1
7	1/2"x3/8 Nipple	003-DSM1238	1
NP	3/4" Heater Hose	002-9719	

H2 Teeport Sensor



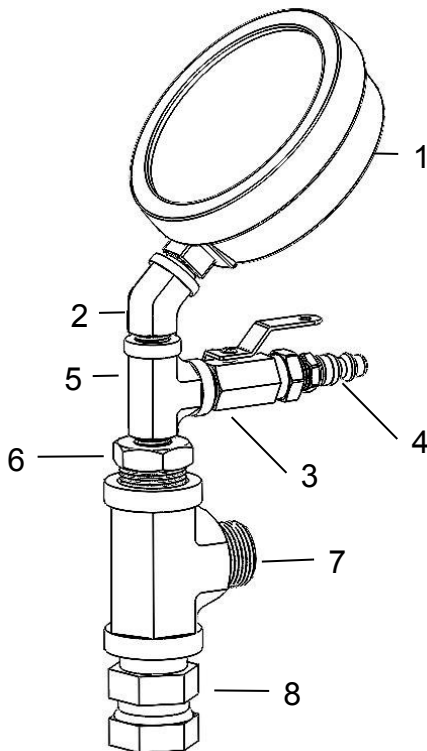
<u>Ref</u>	<u>Description</u>	<u>Part #</u>	<u>Qty</u>
1	3/4"x1/2" Nipple	003-DSM3412F	1
2	Temp Probe	006-4732	1

Flow Switch Assembly



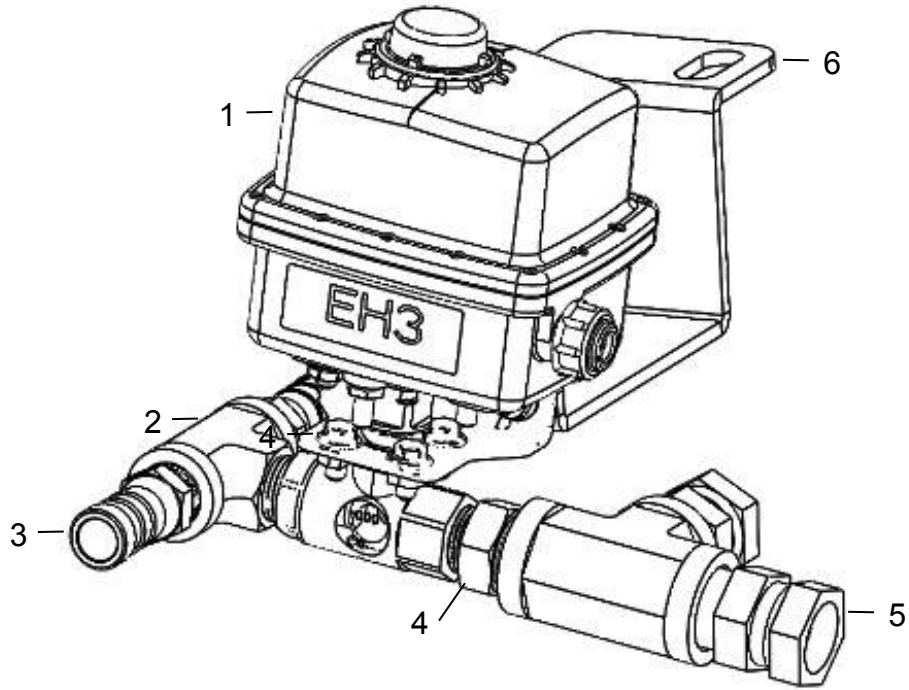
<u>Ref</u>	<u>Description</u>	<u>Part #</u>	<u>Qty</u>	<u>Ref</u>	<u>Description</u>	<u>Part #</u>	<u>Qty</u>
1	3/4" x 3/4" Elbow (90)	003-DSSE34	1	5	3/4" x 1/2" Reduc	003-DSRB3412	1
2	3/4" Tee	003-DSTT34	1	6	Temp Probes	006-4732	1
3	3/4" x 1/2" Nipple	003-DSM3412	1	NP	1/2" x 3/4" Elbow (45)	003-DSEL1234S	1
4	Flow Switch	006-4731	1				

Pump Discharge Front



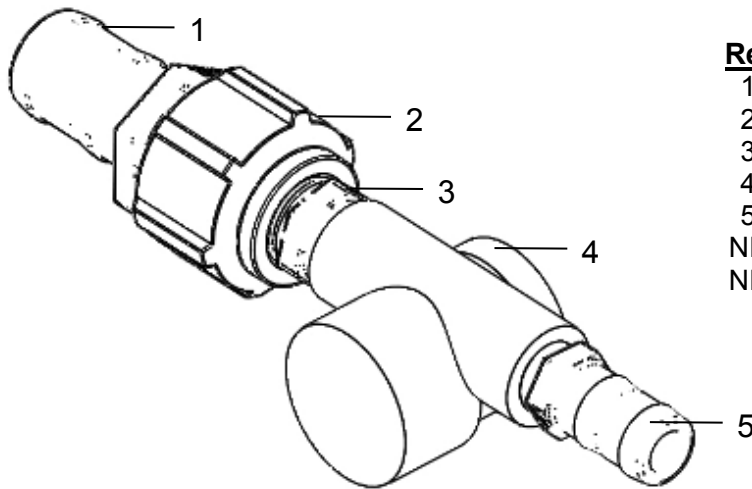
<u>Ref</u>	<u>Description</u>	<u>Part #</u>	<u>Qty</u>
1	4" Gauge (1500 PSI)	002-7236	1
2	1/4" x 1/4" Elbow (45 Deg.)	003-DSSE4514	1
NP	1/4" Hex Socket Plug	003-DSP14	1
3	Valve- 1/4" NPT M x F	002-2222	1
4	Quick Disconnect Hose Coupling-Air 1/4" NPT	003-A1414AP	1
NP	Coupler Plug		
5	1/4" Tee	003-DSSETT14	1
6	3/4"x1/4" Reducer Bushing	003-DSRB3414	1
7	3/4" Tee	003-DSBT34	1
8	3/4"x3/4" Swivel	003-DSM3434S	1

Warmup Valve Assembly



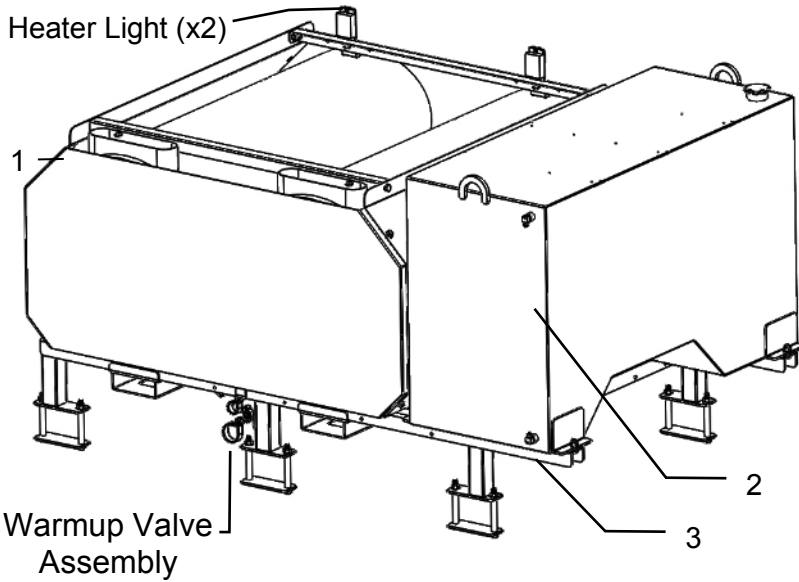
<u>Ref</u>	<u>Description</u>	<u>Part #</u>	<u>Qty</u>	<u>Ref</u>	<u>Description</u>	<u>Part #</u>	<u>Qty</u>
1	1/2" Ball Valve	002-2203DV	1	5	3/4" x 3/4" Swivel	003-DSM3434S	2
2	1/2" Tee FXMXF	003-DSBT12	1	6	Valve Clamp Bkt	001-7224D	1
3	1/2" MPT x 3/4" HB	003-DS1234	2	NP	1/4-20 Flange Bolt	Hardware	2
4	3/4" x 1/2" Fitting	003-DSM3412	1	NP	1/2-20 Flange Bolt	Hardware	2

Flow Meter Assembly



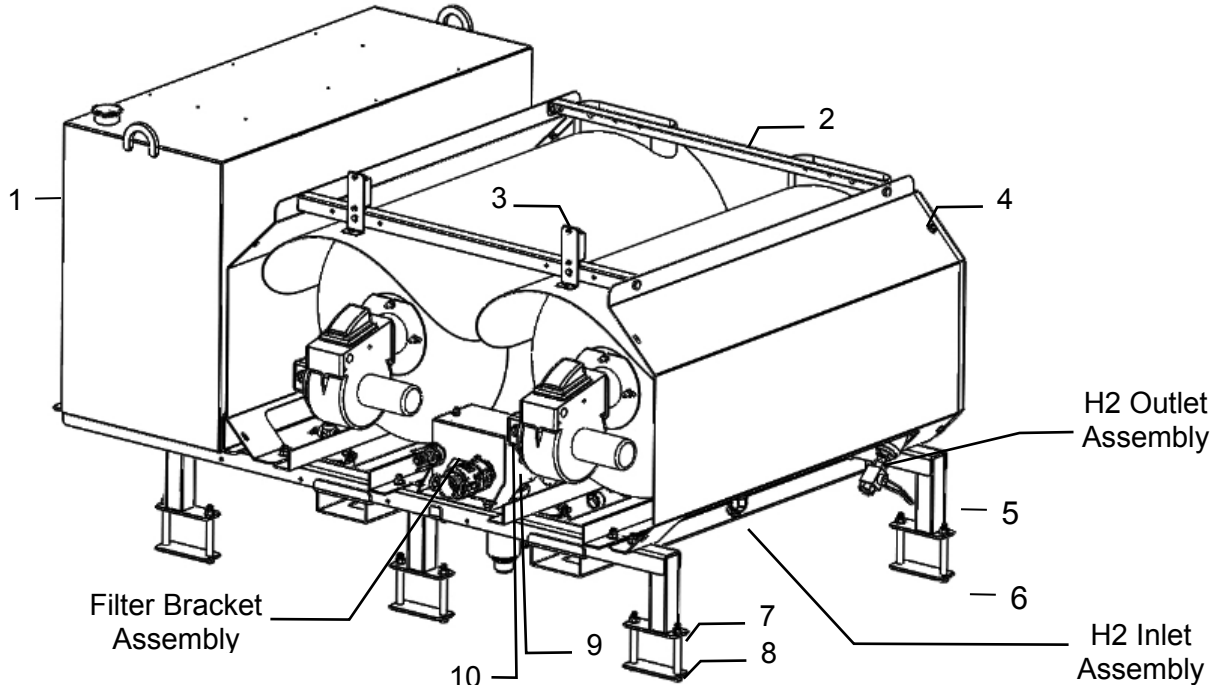
<u>Ref</u>	<u>Description</u>	<u>Part #</u>	<u>Qty</u>
1	1-1/2"x1-1/2" Barb	003-A112112HP	1
2	1-1/2"x1" Union	003-M112100FHP	1
3	1"x3/4" Nipple	003-M10034HP	1
4	DS Flow Meter	006-4730R	1
5	3/4"x1" Fitting	003-A34100HP	1
NP	1-1/2" Suction Hose	002-9008	1
NP	1" Suction Hose	002-9005	1

Heater Skid Assembly – Front View



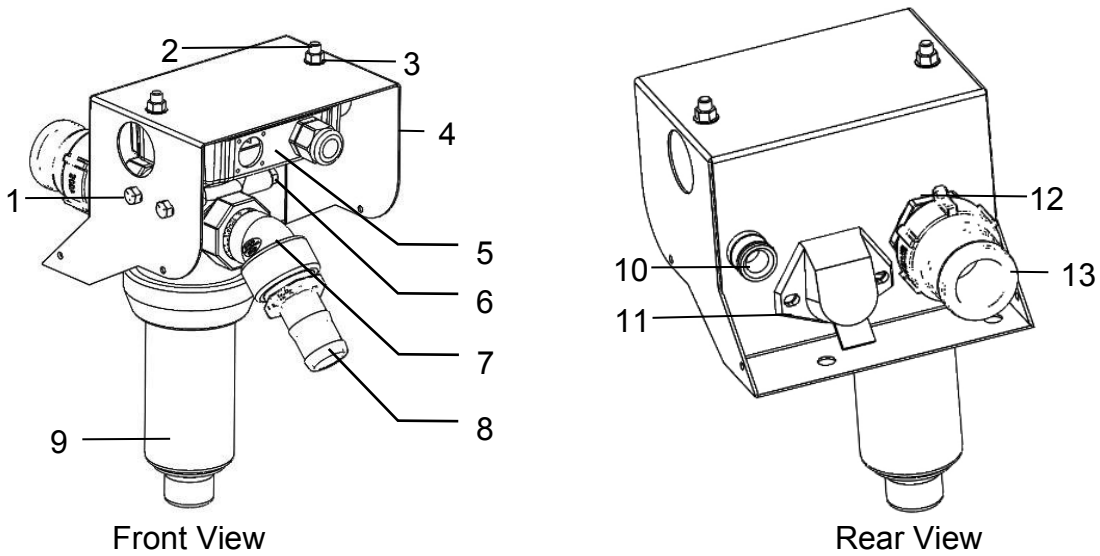
<u>Ref</u>	<u>Description</u>	<u>Part #</u>	<u>Qty</u>
1	Front Heat Shield	001-7215E	1
2	Sight Gauge Hose	002-9709	1
3	3/8" x 3/8 Fitting	003-EL3838BF	2
4	Heat Shield Top	001-7215F	1

Heater Skid Assembly – Rear View



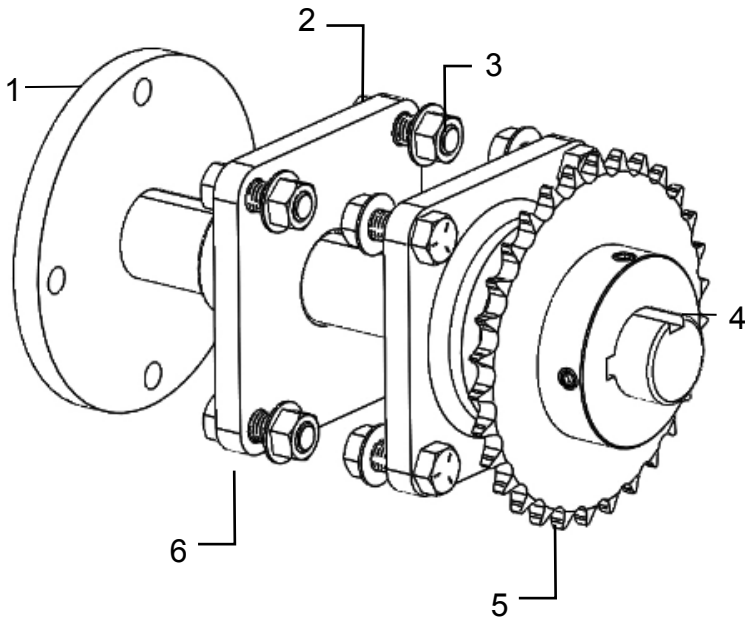
<u>Ref</u>	<u>Description</u>	<u>Part #</u>	<u>Qty</u>	<u>Ref</u>	<u>Description</u>	<u>Part #</u>	<u>Qty</u>
1	Diesel Tank	001-7212		NP	Warmup Valve Assembly	Refer to Breakdown	
2	Heat Shield Bracket	001-7215B	2	NP	Fuel Filter Assembly	Refer to Breakdown	
3	Heat Shield Brkt Rear	001-7215C	2	NP	H1 Inlet Assembly	Refer to Breakdown	
4	Heat Shield	001-7215A	2	NP	H1 Outlet Assembly	Refer to Breakdown	
5	Heater Skid	001-7213	1	NP	1/4" (I.D.) Fuel Hose	002-9711	
6	Skip Clamp Plate	001-7214	6	NP	3/8" (I.D.) Fuel Hose	002-9710	
7	1/2"-13 Flange Nut	Hardware	12	NP	1/4" Hose Clamp	003-9001	8
8	1/2"-13 Flange Bolt	Hardware	12	NP	Mini Hose Clamp	003-9002	4
9	1/4"x1/4" Fitting	003-A1414BF	2	NP	Hi Temp Valve Bracket	001-7224C	1
10	1/4"x1/4" Elbow	003-EL1414BF	2	NP	Burner Gasket - Large	007-7209GL	4
NP	Fuel Outlet Assembly	Refer to Breakdown		NP	Fuel Filter Element	006-7209F	2
NP	Fuel Return Assembly	Refer to Breakdown		NP	Heat Shield Top	001-7215F	1
NP	Fuel Filter (Serial# 0009 & Up)	007-7209FFE		NP	Heater Coil	007-7200COILKIT	
NP	Fuel Filter (Serial# Pre-0008)	007-7208FFA		NP	High Pressure Filter	002-4320E	

Filter Bracket Assembly



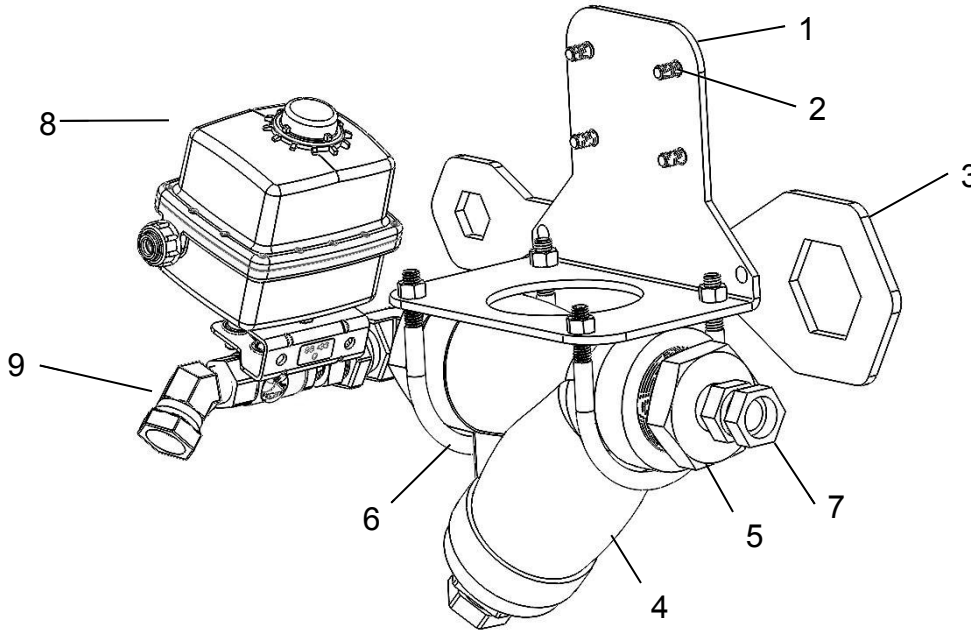
<u>Ref</u>	<u>Description</u>	<u>Part #</u>	<u>Qty</u>	<u>Ref</u>	<u>Description</u>	<u>Part #</u>	<u>Qty</u>
1	3/8-16 Flange Bolt	Hardware	2	8	1-1/2"x1-1/2" Barb	003-A112112HP	1
2	5/16-18 Flange Bolt	Hardware	2	9	Filter Bowl Asm.	002-4319	1
3	5/16/18 Flange Nut	Hardware	2	NP	Filter only-100 mesh	002-4319A	1
4	Pump Filter Bracket	001-7224	1	NP	Filter Bowl Only	002-4319F	1
5	720 Heater Control	006-7723	1	NP	Filter Bowl Head	002-4319H	1
6	3/8-16 Flange Nut	Hardware	1	10	3/4" Cam Plug	002-2204B	1
7	1-1/2" 45 Deg. St. Elbow	003-SE45112HP	1	11	Wiring Harness Plug	006-7999	1
				12	2"x1-1/2" Nipple Nut	003-M200112HP	1
				13	2" Cam Coupler	002-2204J	1
				NP	2" Female Coupler	002-2204H	1

Drive Hub Assembly



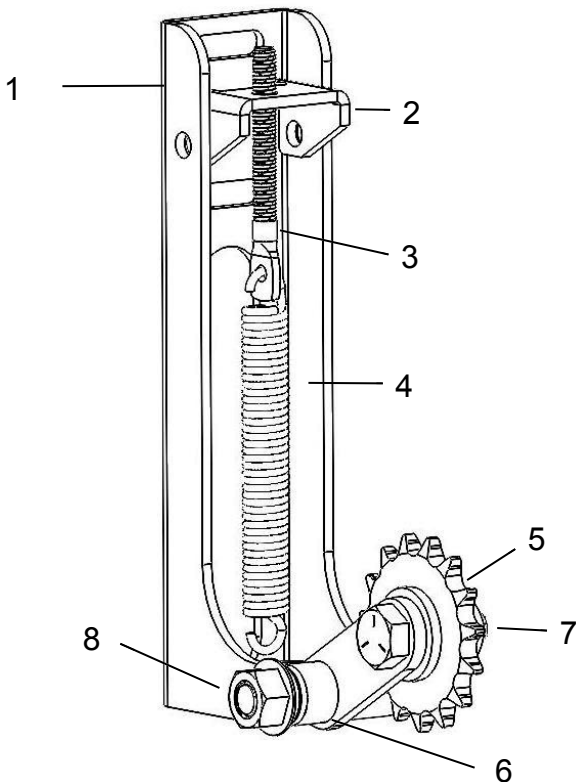
<u>Ref</u>	<u>Description</u>	<u>Part #</u>	<u>Qty</u>
1	Drive Wheel Shaft	001-7241	1
2	1/2-13 Flange Bolts	Hardware	8
3	1/2-13 Flange Nuts	Hardware	8
4	Key 3/8x3/8x1-1/2	001-7124D	1
5	Drive Sprocket	001-7124C	1
6	1-1/2" Bearing	001-7137	2

2" Y-Strainer / KZ Assembly



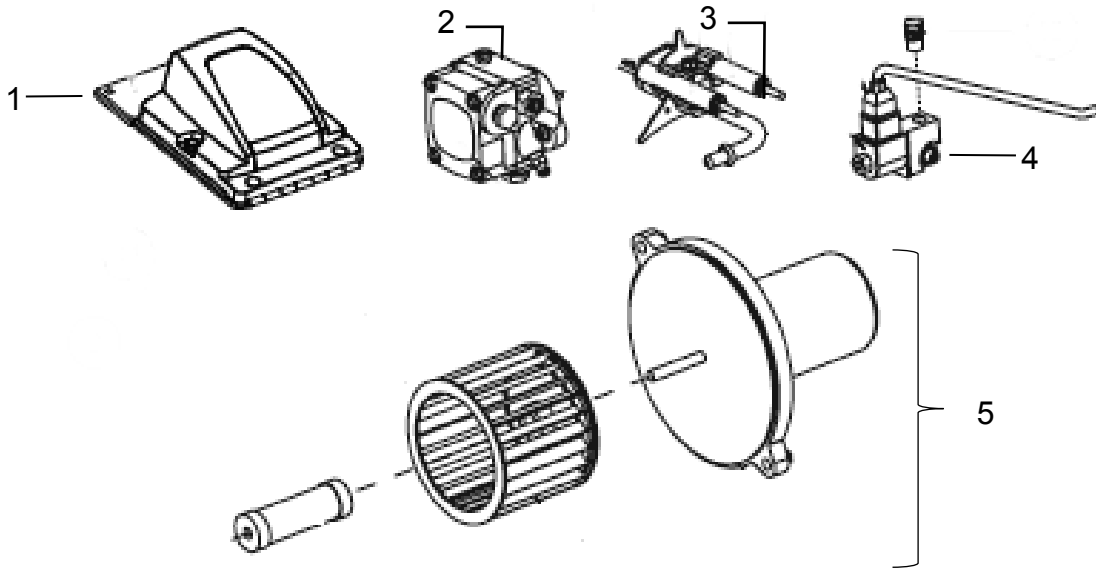
<u>Ref</u>	<u>Description</u>	<u>Part #</u>	<u>Qty</u>	<u>Ref</u>	<u>Description</u>	<u>Part #</u>	<u>Qty</u>
1	2" Y-Strainer Bracket	001-7211B	1	6	U-bolt, 3/8" x 3-1/2"	001-4714UBY	2
2	5/16-18 x 1" TC	Hardware	4	7	3/4" x 3/4" Swivel	003-DSM3434S	1
3	Filter Wrench	001-7211C	1	NP	3/4"x3/4" Elbow Swivel	Hardware	1
NP	SS Hose Gauge		1	NP	3/4"x1/2" Nipple	003-DSM3412	1
NP	Clip	008-4576	2	8	1/2" SS 2Way Valve	002-2203DV	1
4	2" Y-Strainer Asm.	002-4321	1	9	1/2"x3/4" 45 Deg Elbow	003-DSEL1234S	1
5	Reducer 2" M 3/4" F	003-DSRB20034	2	NP	2" Y-Strainer Filter	002-4321E	
				NP	2" Y-Strainer Gasket	002-4321G	

Chain Tensioner Assembly (2020 Models and newer)



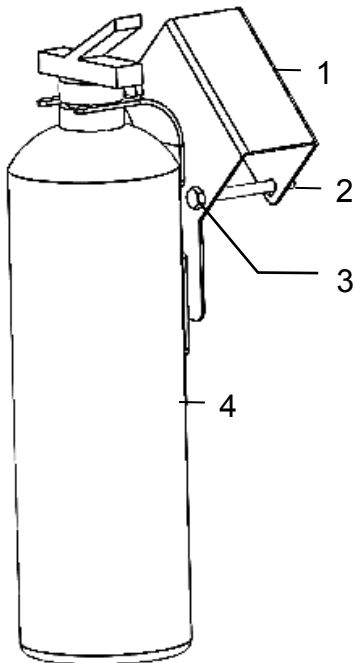
<u>Ref</u>	<u>Description</u>	<u>Part #</u>	<u>Qty</u>
1	Chain Tensioner Bracket	001-7209C	1
2	Spring Bracket	001-7209DE	1
3	Anchor Bolt	001-7209DD	1
4	Spring	001-7209DC	1
5	Idler Sprocket	001-7125	1
6	Idler Bracket	001-7209DA	1
7	5/8"-11 x 2"	Hardware	1
8	5/8-11 x 3-1/4"	Hardware	1
NP	5/8-11 Nylock nut	Hardware	2

Burner Motor Replacement Parts



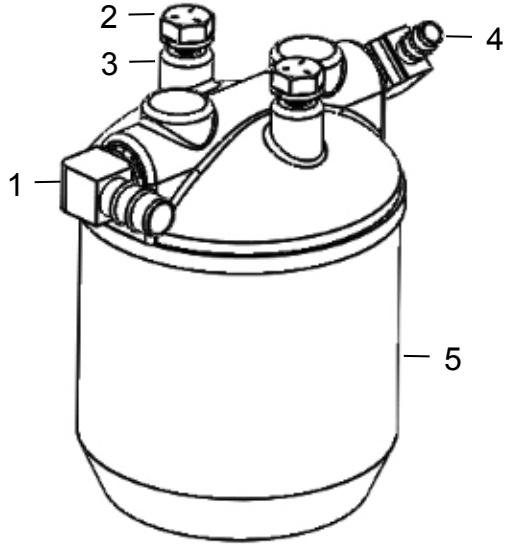
<u>Ref</u>	<u>Description</u>	<u>Part #</u>	<u>Qty</u>	<u>Ref</u>	<u>Description</u>	<u>Part #</u>	<u>Qty</u>
1	Burner Igniter	007-7203	1	NP	Tip (optional)	007-7207-4.5	2
2	Fuel Pump	007-7204	1	NP	Complete Burner Assembly	007-7201	1
3	Nozzle Assembly	007-7206	1	NP	Tip (Standard)	007-7207-4.0	2
4	Burner Shut Off Valve	007-7205	1	NP	Fuel Filter	007-7208	2
5	Burner Motor	007-7202	1				

Fire Extinguisher Assembly



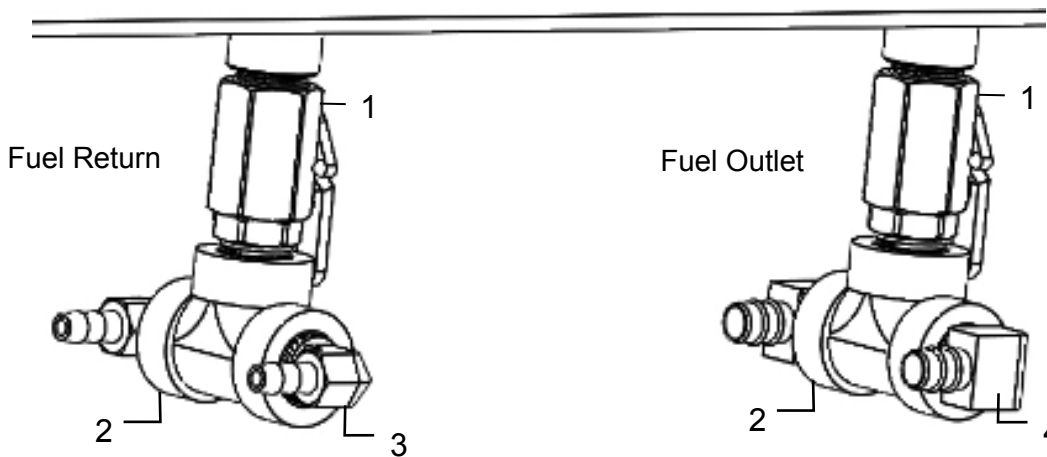
<u>Ref</u>	<u>Description</u>	<u>Part #</u>	<u>Qty</u>
1	Fire Ext. Bracket	001-7224J	1
2	1/4-20 Flange Nut	Hardware	5
3	1/4-20 Flange Bolt	Hardware	2
4	Fire Extinguisher	008-8900	1
NP	NP 1/4-20 Flange Bolt	Hardware	3

Fuel Filter Assembly



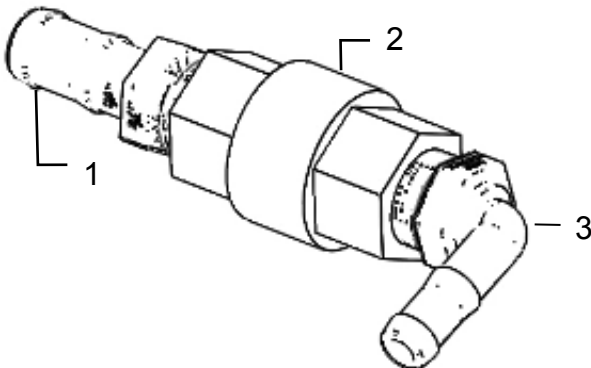
<u>Ref</u>	<u>Description</u>	<u>Part #</u>	<u>Qty</u>
1	1/4"x3/8" Fuel Elbow	003-EL1438BF	1
2	1/4-20 Hex Bolt	Hardware	2
3	1/4" Lock Washer	Hardware	2
4	1/4"x1/4" Elbow	003-EL1414BF	1
5	Fuel Filter Assembly	007-7208FFA	1

Fuel Return & Fuel Outlet



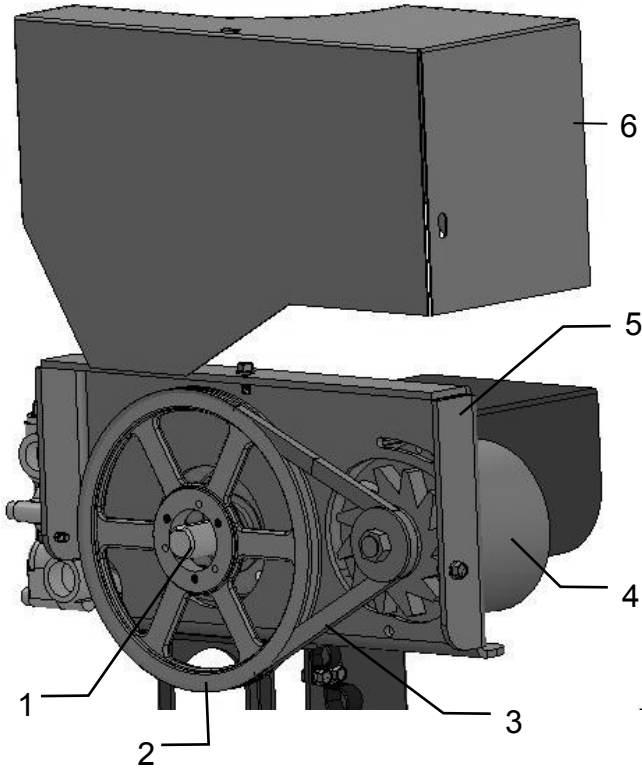
<u>Ref</u>	<u>Description</u>	<u>Part #</u>	<u>Qty</u>	<u>Ref</u>	<u>Description</u>	<u>Part #</u>	<u>Qty</u>
1	3/8" Fuel Valve	002-2217	1	3	3/8"x1/4" Elbow	003-EL3814BF	2
2	3/8" Tee	003-TT38BF	1	4	3/8"x3/8" Elbow	003-EL3838BF	2

Perimeter Nozzle Check Valve Assembly



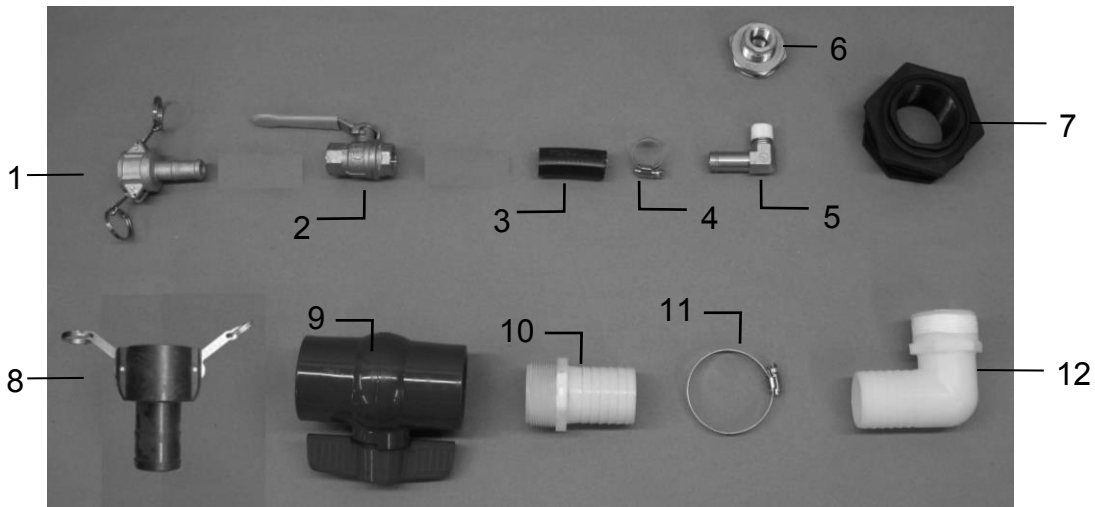
<u>Ref</u>	<u>Description</u>	<u>Part #</u>	<u>Qty</u>
1	3/4"x3/4" Fitting	003-A3434P	1
2	3/4" Check Valve	002-4566X	1
3	3/4"x1/2" Elbow	003-EL3412HP	1

Cart Electrical Assembly



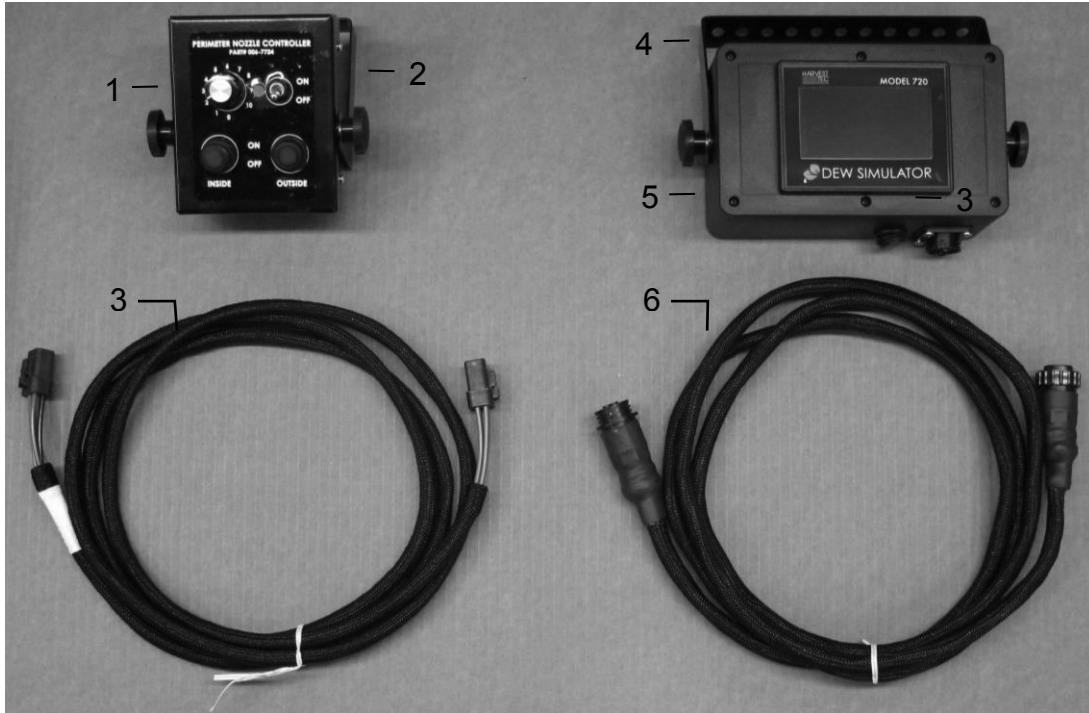
<u>Ref</u>	<u>Description</u>	<u>Part #</u>	<u>Qty</u>
1	QD Bushing 30mm	001-7221H	1
2	3V 10.6" Sheave QD	001-7221P	1
3	3VX400 Belt	001-7221B	1
4	Alternator 105A	001-7221A	1
5	Alternator Bracket	001-7220B	1
6	Alternator Shield	001-7220C	1
NP	Alternator to Battery + / -	006-7221WH	1
NP	Battery 12VDC, 47AGM	006-7221BAT	1
NP	Battery Box Bracket	001-7220D	1
NP	Battery Box, Ser24	006-7221BB	1
NP	Battery Post Adapter +	006-7221BTR	1
NP	Battery Post Adapter -	006-7221BTB	1

Trailer Parts



<u>Ref</u>	<u>Description</u>	<u>Part #</u>	<u>Qty</u>	<u>Ref</u>	<u>Description</u>	<u>Part #</u>	<u>Qty</u>
1	3/4" Cam Socket	002-2204E	1	8	2" Female Coupler	002-2205Y	1
2	3/4" Brass Valve	002-2200B	1	9	2" Valve	002-2220	1
3	3/4" Heater Hose	002-9719	15	10	2" x 2" Fitting	003-A2020	2
4	3/4" Hose Clamp	003-9004	4	11	2" Hose Clamp	003-9006	4
5	1/2" x 3/4" Elbow	003-DSEL1234	1	12	2" x 2" Elbow	003-EL2020	1
6	1/2" Fitting	005-9104SS	1	NP	2" PVC Tubing	002-9004	15
7	2" Tank Fitting	005-9102	1	NP	3/4"x3/4" Barb	003-A3434AL	2

Tractor Parts



<u>Ref</u>	<u>Description</u>	<u>Part #</u>	<u>Qty</u>	<u>Ref</u>	<u>Description</u>	<u>Part #</u>	<u>Qty</u>
1	Perimeter Nozzle Control	006-7726	1	4	Cab Control U-Bracket	001-7230	1
2	Perm. Noz. Control Bracket	001-7234C	1	5	Cab Control Assembly	006-7721	1
3	Perimeter Nozzle Harness	006-7717	1	6	Cab-Drawbar Harness	006-7722	1
					Harness locking nut	006-ANL	1

RECOMMENDED PARTS STOCKING LIST

<u>ITEM</u>	<u>DESCRIPTION</u>	<u>QTY</u>
001-7104VG	VALVE SPRING	5
001-7104VL	QUAD RING	10
001-7202	TINE ASSEMBLY	5
001-7204VE	1/8"X1 1/2" PLUNGER PIN SS	10
001-7204VJ	1/2" X 1 1/2" ROLLER PIN SS	1
001-7204R	VALVE REBUILD KIT	1
002-4319A	SCREEN 100 MESH	1
002-4321E	2" Y STRAINER 150 MESH	1
002-4321G	2" Y STRAINER GASKET	1
002-7204A	SS VALVE HOSE ASMBLY 8"	2
002-7204B	SS VALVE HOSE ASMBLY 13.5"	4
003-DSP12	1/2" CROSSTUBE PLUGS	10
004-7125	TIP FOR TINES - DEW SIM MW11	15
006-7221B	ALTERATOR BELT	1

HARD WATER CONDITIONS

Common hard water scale formation is the result of calcium carbonate precipitation and accumulation in equipment employing hard water. ERADI(Ca)TE PLUS will bind with calcium, magnesium and iron, preventing the formation of common hard water scale. For hard water conditions contact Harvest Tec.

009-0905P	5 GALLON PAIL ERADI(Ca)TE PLUS
009-0905DR	55 GALLON DRUM ERADI(Ca)TE PLUS