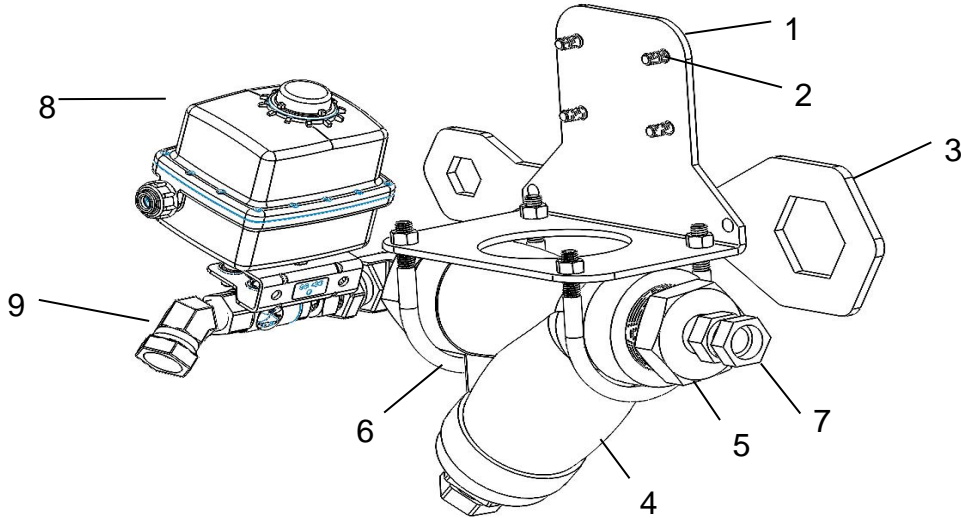
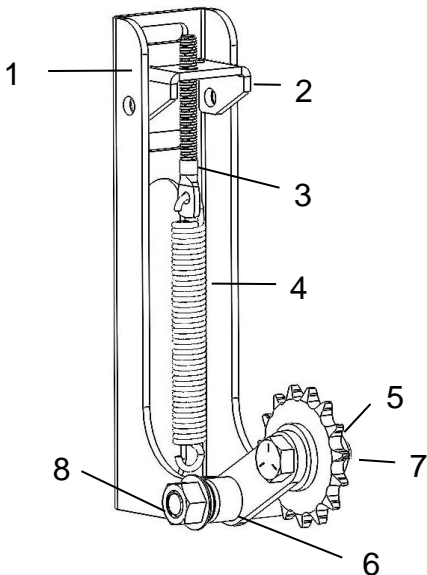


2" Y-Strainer / KZ Assembly



<u>Ref</u>	<u>Description</u>	<u>Part #</u>	<u>Qty</u>	<u>Ref</u>	<u>Description</u>	<u>Part #</u>	<u>Qty</u>
1	2" Y-Strainer Bracket	001-7211B	1	6	U-bolt, 3/8" x 3-1/2"	001-4714UBY	2
2	5/16-18 x 1" TC	Hardware	4	7	3/4" x 3/4" Swivel	003-DSM3434S	1
3	Filter Wrench	001-7211C	1	NP	3/4"x3/4" Elbow Swivel	Hardware	1
NP	SS Hose Gauge		1	NP	3/4"x1/2" Nipple	003-DSM3412	1
NP	Clip	008-4576	2	8	1/2" SS 2Way Valve	002-2203DV	1
4	2" Y-Strainer Asm.	002-4321	1	9	1/2"x3/4" 45 Deg Elbow	003-DSEL1234S	1
5	Reducer 2" M 3/4" F	003-DSRB20034	2	NP	2" Y-Strainer Filter	002-4321E	
				NP	2" Y-Strainer Gasket	002-4321G	

Chain Tensioner Assembly (2020 & 2021 Models)



<u>Ref</u>	<u>Description</u>	<u>Part #</u>	<u>Qty</u>
1	Chain Tensioner Bracket	001-7209C	1
2	Spring Bracket	001-7209DE	1
3	Anchor Bolt	001-7209DD	1
4	Spring	001-7209DC	1
5	Idler Sprocket	001-7125	1
6	Idler Bracket	001-7209DA	1
7	5/8"-11 x 2"	Hardware	1
8	5/8-11 x 3-1/4"	Hardware	1
NP	5/8-11 Nylock nut	Hardware	2

Chain Tensioner Assembly (2022 Models and Newer)

<u>Ref</u>	<u>Description</u>	<u>Part #</u>	<u>Qty</u>
1	Floating Roller Chain Tensioner	001-7209FRCT	1

