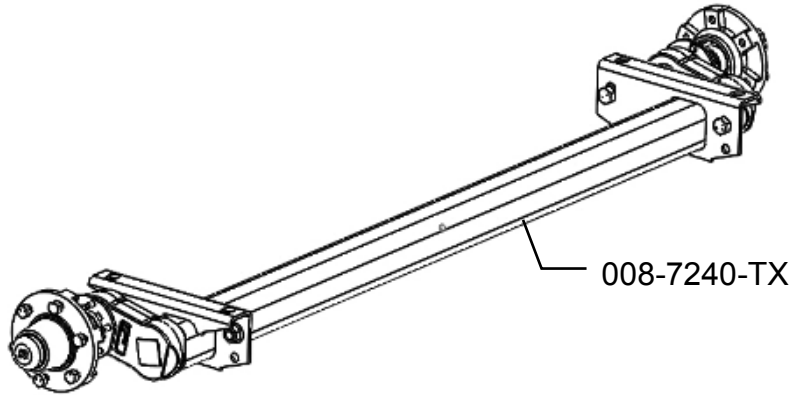
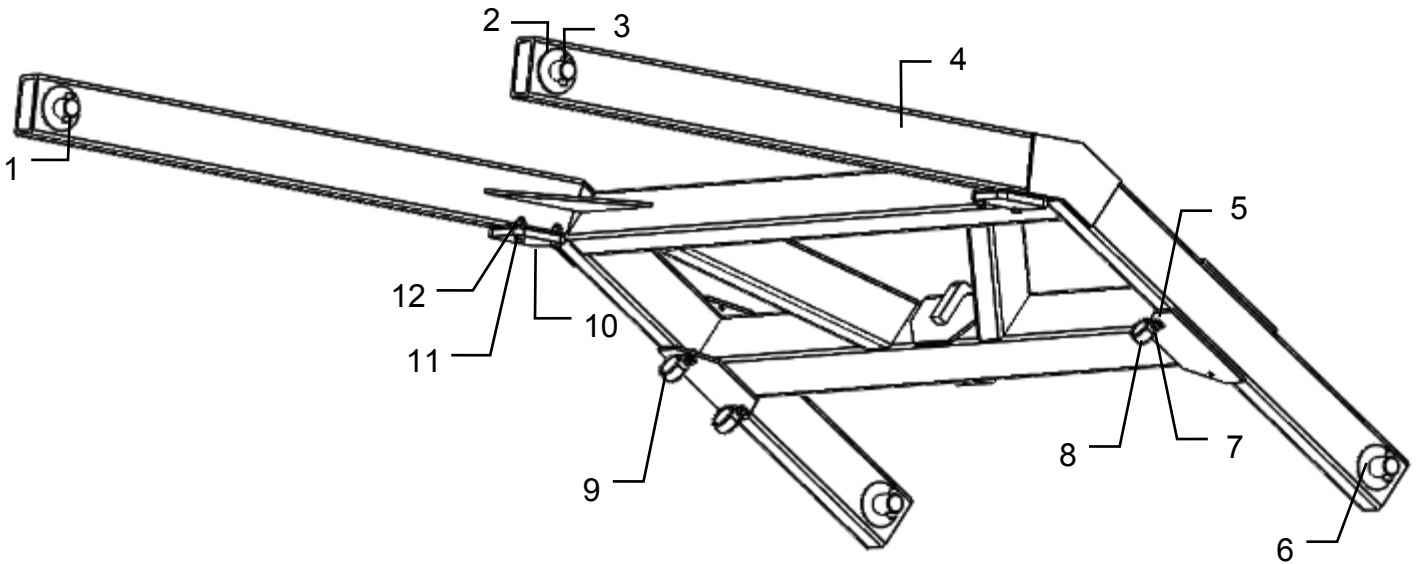


## Torsion Axle



## Lift Arm Assembly



<u>Ref</u>	<u>Description</u>	<u>Part #</u>	<u>Qty</u>	<u>Ref</u>	<u>Description</u>	<u>Part #</u>	<u>Qty</u>
1	Reel Pin	001-7216A	2	7	5/16"-18 Flangebolt	Hardware	2
2	Thrust Bushing	008-7146B	8	8	1" Jiffy Clip	008-9009	4
3	Zinc Roll Pins	001-7144	8	9	1-1/2" Jiffy Clip	008-9112	2
4	Lift Arm Assembly	001-7211	1	10	Lift Arm Bumper	001-7223B	2
5	5/16"-18 Flange nut	Hardware	2	11	3/8"-16 Flange bolt	Hardware	4
6	Cart Pin	001-7216B	2	12	3/8-16 Flange nut	Hardware	4