

# Installation Manual

***Model 696M***

***110 Gallon Preservative Applicator***



**HayBoss™**  
**G2**

**DECLARATION OF INCORPORATION**



**MANUFACTURER:**

Harvest Tec Inc.  
2821 Harvey St.  
P.O. Box 63  
Hudson, WI 54016, U.S.A.

**REPRESENTATIVE ESTABLISHED IN COMMUNITY:** Profitable Farming Company  
Middle Barlington, Roborough  
Winkleigh, Devon, EX19 8AG  
ENGLAND

The person above certifies and declares that:

**VIRTUAL MACHINE:** Equipment mounted on a farm press and for the application of inoculants onto forage crops.

**MODEL:** 696M-INST-17-Imp&Metric

**BRAND:** Harvest Tec

**SERIAL NUMBER:**

This application preservatives for hay Harvest Tec system meets the Directive 2006/42/EC of the European Parliament and the Council of 17 May 2006 and other applicable European Directives including Directive 2004/108/EC on the Electromagnetic compatibility.

The application of preservatives for hay Harvest Tec system will be turned on after being installed on a farm press has been declared in conformity with the Machinery Directive.

Person in the community authorized to provide information on the partly completed machinery and making this statement:

**Richard Snell, President, Profitable Farming Company**  
Signed on May 21, 2011: Middle Barlington, Roborough  
Winkleigh, Devon, EX19 8AG  
ENGLAND

# HayBoss G2 Model 696M Installation Table of Contents

	<u>PAGE</u>
<b>Introduction</b>	<b>4</b>
<b>System Requirements</b>	<b>4</b>
<b>Installation Kit Reference Chart</b>	<b>4</b>
<b>Tools Needed</b>	<b>4</b>
<b>Installation of Applicator</b>	<b>5-14</b>
Installation of Pump Manifold and Saddle Pre-Setup	5
Installation of Dual Channel Processor	6
Installation of Tank and Star Wheels – Non UHD Baler	7
Installation of Tank and Star Wheels – UHD Baler	8
Installation of End of Bale Sensor	9
Installation of Drain/Fill Line	10
Installation of Spray Shield	11-13
Installation Kit 4518B & 4519B	11
Installation Kit 4527B & 4530B	12
Installation Kit 4542B & 4544B	13
Plumbing	14
High and Low Output Tips	14
Installation of iPad Integration control	15
iPad Integration Control Light Signals	15
Bluetooth Receiver Lights	15
Installation of the Star Wheel and Bale Rate Harnesses	16
Main Wire Harness and Baler Interface Harness Routing	16
Wiring Diagram – Non UHD Baler	17
Wiring Diagram – UHD Baler	18
Pin Outs	19-21
Parts Breakdown	<b>22-34</b>
Tank, Saddle and Saddle Legs	22
Pump Manifold	23
Star Wheel Moisture Sensor – Non UHD Baler	24
Star Wheel Moisture Sensor – UHD Baler (4544B Install)	24
Control Boxes and Wiring Harnesses	25
Hose and Drain / Fill Line	26
Optional iPad Mini Mounting Kit	27
Optional iPad Display Kit	28
4518B Install Kit	29
4519B Install Kit	30
4527B Install Kit	31
4530B Install Kit	32
4542B Install Kit	33
4544B Install Kit	34
<b>Warranty Statement</b>	<b>35</b>

## Introduction

Thank you for purchasing a HayBoss G2 Model 696M Hay Preservative Applicator. This 696M applicator system has been designed to plug directly into the baler's ISOBUS and display on a C1000 monitor. As well as the option of operation through an Apple iPad (not included) using the Hay App. The 696M Preservative Applicator System offers these advantages:

1. Operation coordinated with baler operation
2. Ease of use with all information on one screen
3. Less cab clutter providing better visibility
4. Records kept together

The 696M HayBoss G2 Preservative Applicator System is designed to apply buffered propionic acid to the forage crop as it is baled. Failure to follow instructions can result in personal injury or equipment malfunction. If you are in need of parts for the system please view the Parts Breakdowns toward the back of this manual and contact your local authorized dealer to order the parts. This applicator is designed to apply AGCO buffered propionic acid.

Right and Left sides are determined by facing in the direction of forward travel.

## System Requirements



**The Baler Processor must have Version 3.3 or higher.  
C1000 must have version 3.0.1 or higher**



**\*Made for iPad® (3<sup>rd</sup> through Pro 2<sup>nd</sup> generation), running the current iOS operating system or one version previous required for iPad option**

\*iPad is a trademark of Apple Inc., registered in the U.S. and other countries.

**\*\*600 Series Applicators with serial number before DCP27000 will require the DCP to be sent to Harvest Tec for a required update in order to use the iPad Integration Module (030-6672C).**

\*Hay App version must be **at least 2.5.18 (or higher)** to operate with the iPad Integration Module

## Installation Kit Reference Chart

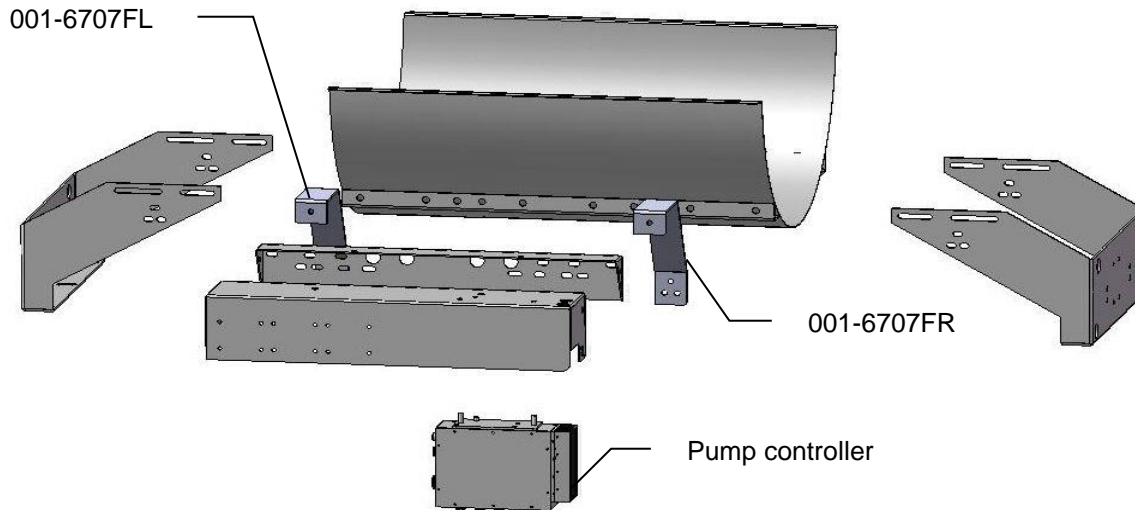
BALER MAKE	MODEL	INSTALL KIT
<b>AGCO Hesston</b>	7433-7444	030-4518B
	7433-7434 roto-cutter	030-4519B
	2150 – 2190	030-4518B
	2150 – 2190 roto-cutter	030-4519B
	2150 – 2190 packer cutter	030-4527B
	2250 & 2270 ProCut	030-4542B
<b>Challenger</b>	LB33B – LB44B	030-4518B
	LB33B – LB34B roto-cutter	030-4519B
	LB33B – LB34B packer cutter	030-4527B
<b>Massey Ferguson</b>	2140 – 2290	030-4518B
	2140 – 2290 with roto-cutter	030-4519B
	2150 & 2250 packer cutter	030-4527B
	2170XD & 2270XD with roto-cutter	030-4530B
	2370UHD	030-4544B

## Tools Needed:

- Standard wrench set
- Electric drill and bits
- Side cutter
- Crescent wrench
- Standard screwdriver
- Standard nut driver set
- Standard socket set
- Hammer
- Metal cutting tools
- Hose cutter
- Center punch

## Installation of Applicator

### Installation of Pump Manifold and Saddle Pre-Setup



#### 3 X 3 balers only

Locate parts bag 2. Install both saddle legs (001-6707C) onto the saddle (001-6707A) with eight 3/8" x 1-1/4" Bolts, locks and flat washers. Note: the slots in the legs will attach to the second and fourth weld nuts in from each end, of the saddle, on both sides.

1. Once legs and saddle are loosely attached measure the distance from the top outside corners of the bale chamber where the saddle will be attached. Move legs in or out so the outside edges will match this dimension. Also try to center the saddle within these dimensions. Do not fully tighten bolts until mounted on the baler
2. Locate parts bag 6. Mount the pump plate support legs (001-6707FL & 001-6707FR) to the saddle legs using six 3/8" x 1" bolts, locks, flats, and nuts. Note: this will be the side that is opposite of the "V" notch that is in the sump cut out of the saddle
3. Attach the pump plate mounting bracket (001-4646C) to the pump plate support legs with two 3/8" x 1-1/4" bolts, locks, flats, and nuts.
4. Attach the pump plate holder (001-4646D) to the pump plate mounting bracket (001-4646C) using four 3/8" x 3/4" flange head bolts

#### For 3 X 4 and 4 x 4 balers only

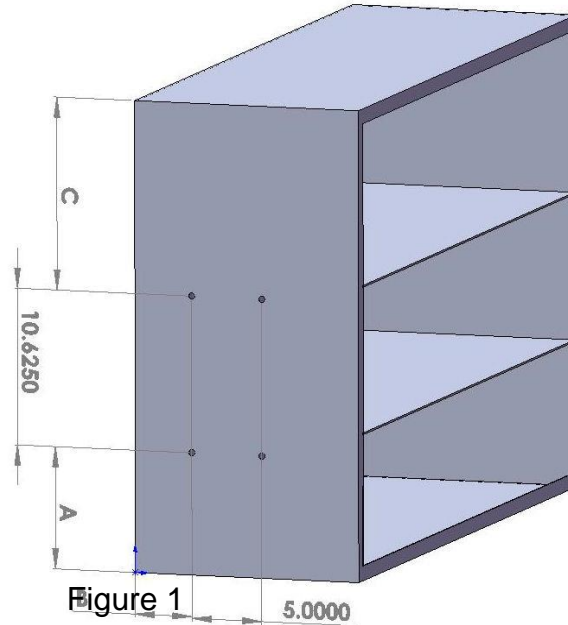
Locate parts bag 2. Install both saddle legs (001-6707C) onto the saddle (001-6707A) with eight 3/8" x 1-1/4" Bolts, locks and flat washers. Note: the slots in the legs will attach to the first and second weld nuts in from each end, of the saddle, on both sides.

1. Once legs and saddle are loosely attached measure the distance from the top outside corners of the bale chamber where the saddle will be attached. Move legs in or out so the outside edges will match this dimension. Also try to center the saddle within these dimensions. Do not fully tighten down bolts until mounted on the baler.
2. Locate parts bag 6. Mount the pump plate support legs (001-6707FL & 001-6707FR) to the saddle legs using six 3/8" x 1" bolts, locks, flats, and nuts. Note: this will be the side that is opposite of the "V" notch that is in the sump cut out of the saddle
3. Attach the pump plate mounting bracket (001-4646C) to the pump plate support legs with two 3/8" x 1-1/4" bolts, locks, flats, and nuts.
4. Attach the pump plate holder (001-4646D) to the pump plate mounting bracket (001-4646C) using four 3/8" x 3/4" flange head bolts

**The Pump Controller and pump heads must be pointing down. Failure to mount the pump plate assembly in this specified direction will void all warranty of the Pump Controller and pumps**

## Installation of Dual Channel Processor (DCP)

Follow the instructions below to mount the Dual Channel Processor (DCP 006-6671LS) onto your specific baler model and type. The locations shown are the right twine box (looking at the back of the baler). Mark and drill the four 3/8" (10mm) holes and install DCP with two 5/16" x 1" bolts in the bottom two holes, two 5/16" x 1-1/4" bolts in the top two holes, locks, fender washers and hex nuts. Leave bolts loose. Mount the DCP cover (001-5650X) to the top two 5/16" x 1-1/4" bolts. It will fit between the mounting foot of the DCP and the sheet metal of the baler. Now tighten all bolts.



Baler Type	Model number	Figure	A	B	C
<b>AGCO Hesston</b>	7433 – 7444 2150 – 2190 2250 – 2290	2	12" (30cm)	3" (76mm)	N/A
<b>Challenger</b>	LB 33B – 44B	2	12" (30cm)	3" (76mm)	N/A
<b>Massey Ferguson</b>	2150-2190 2250-2290	2	12" (30cm)	3" (76mm)	N/A

## Installation of Tank and Star Wheel Moisture Sensors – Non UHD Balers

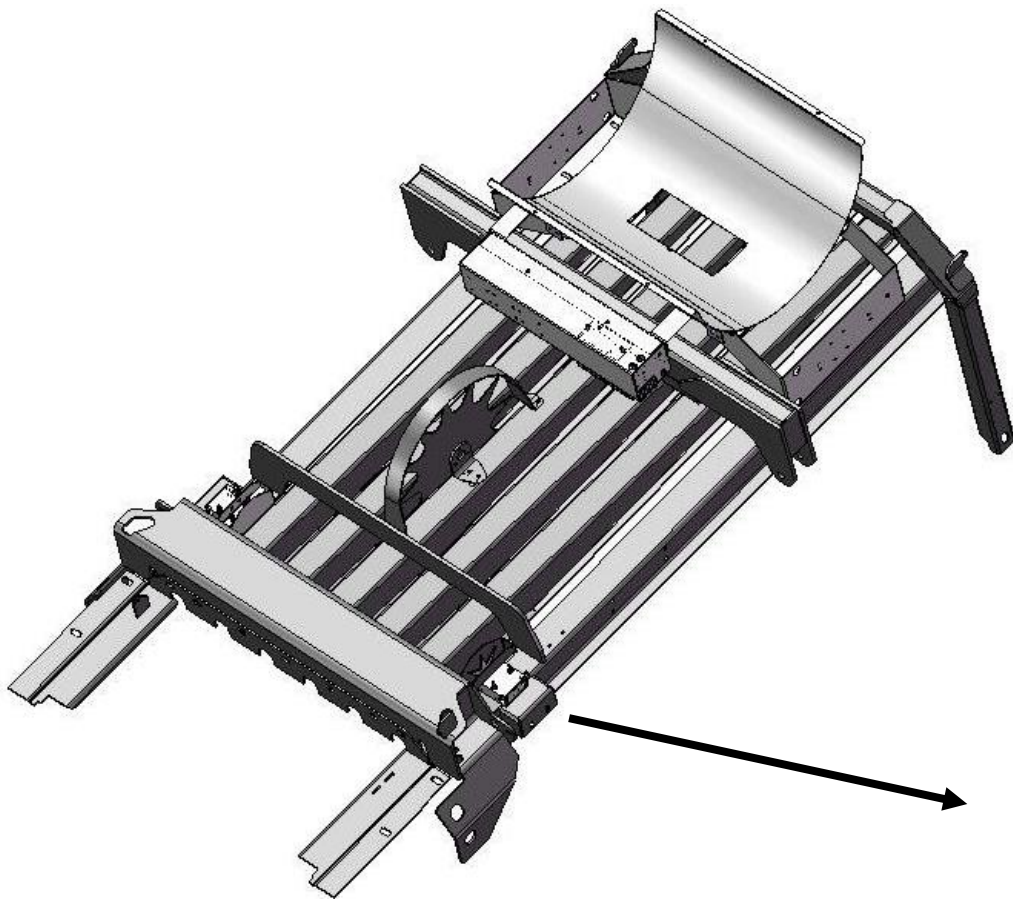
### Tank Mounting

Locate parts bag C & 2. Mount the tank legs and saddle on the baler as shown below, just behind the compression arm. The tank legs bolt to the baler with six 1/2" x 1-3/4" carriage head bolts, lock & flat washers, and hex nuts. The bolts should be inserted from inside the baler.

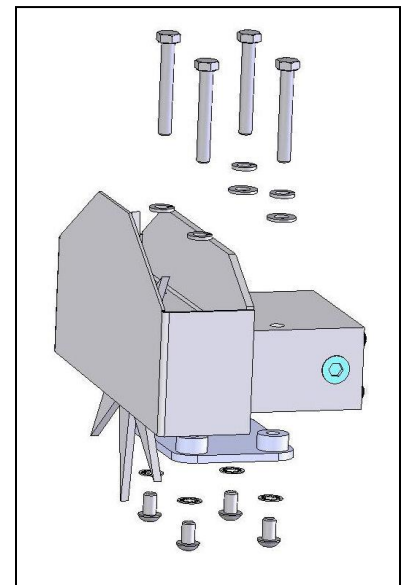
The saddle is intentionally tipped forward by 5° so that the tank cap will be parallel to the ground. There is a small cut out "V" where the tank sump fits in the saddle and this cut out should face the back of the baler for the tank to be level when installed on the baler

### Star Wheel Mounting – Non-UHD Balers

The star wheels are to be mounted on top of the baler, just behind the knotters and under the walkway on both sides. The notch and holes for the star wheel are precut. **If the star wheels are cutting the twine the sensors and notch must be moved out an additional 1/2" (13mm). Use the template in the back of the manual for hole spacing.** Place the spacer plate (001-6707E) over the precut holes. Attach with 5/16" x 1/2" Allen head bolts and internal star washers from inside the bale chamber. Center the star wheels over the top of the spacer plate, place the twine diverters on top of the star wheel and attach with 5/16 x 2 1/4 hex bolt and lock washers. For remainder two holes per star wheel attach with 5/16 x 2 1/4" hex bolt, lock washer, and one 5/16" thick flat washers per bolt. Verify that star wheels align with bale chamber before tightening down all hardware. **The twine guard containing the bale rate sensors will be placed on the right side of the baler.** See Step 8 for directions on how to hook-up the star wheel wires.



Applicator shown on 4'  
(1.2m) wide baler.

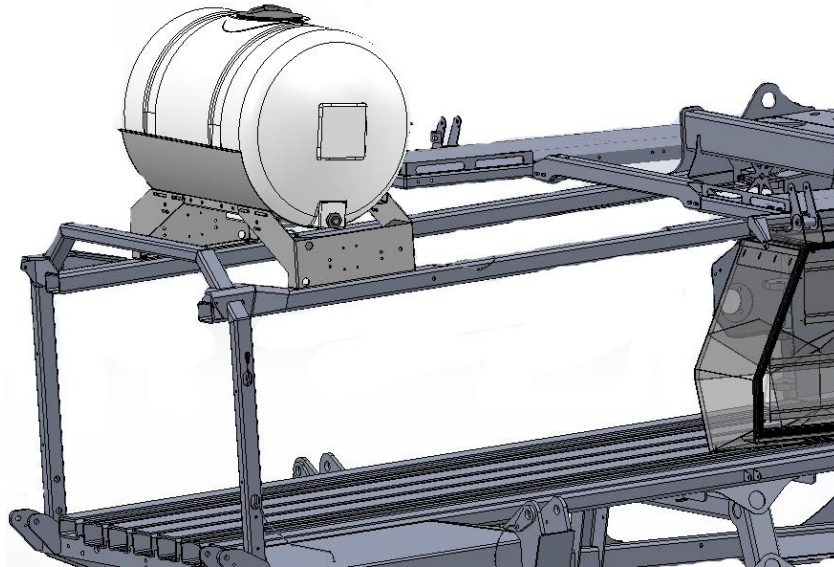


## Installation of Tank and Star Wheel Moisture Sensors – UHD Baler

### Tank Mounting

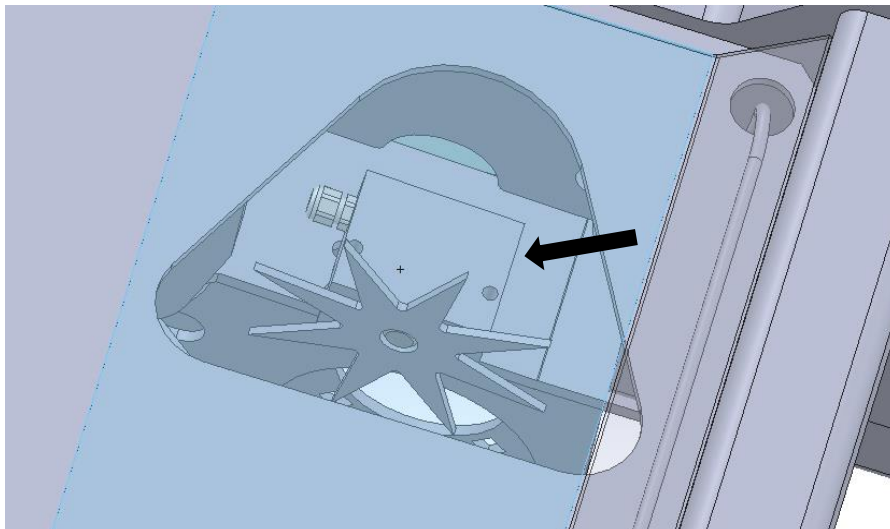
Locate parts bag C & 2. Mount the tank legs on top of the rectangular tubing as displayed below. There are 3 access holes/side where 1/2" hex bolts can be inserted and held in place as they go through the top of the tube and the leg. IE hole in top of tube is 9/16" (14mm) diameter hole in bottom is 1-1/4" (big enough for socket to hold hex head of bolt).

The saddle is intentionally tipped forward by 5° so that the tank cap will be parallel to the ground. There is a small cut out "V" where the tank sump fits in the saddle and this cut out should face the back of the baler for the tank to be level when installed on the baler



### Star Wheel Mounting – UHD Balers

The star wheels are to be mounted on top of the baler, just behind the knotters and under the walkway on both sides. The holes for the star wheel are precut. Remove the plate on top of the catwalk covering the triangle shaped access cutout. Place star wheel over the predrilled holes on both sides of the bale chamber, (shown below). Secure the star wheels with 5/16" x 3-1/4" BHCS (x2 each side) from the bottom side and are secured with 5/16" lock washer and nuts. Blocks are dropped down on the bolts and secured in place with the star wheel twine guards (001-4645, 001-4644). The twine guard containing the bale rate sensors will be placed on the right side of the baler.

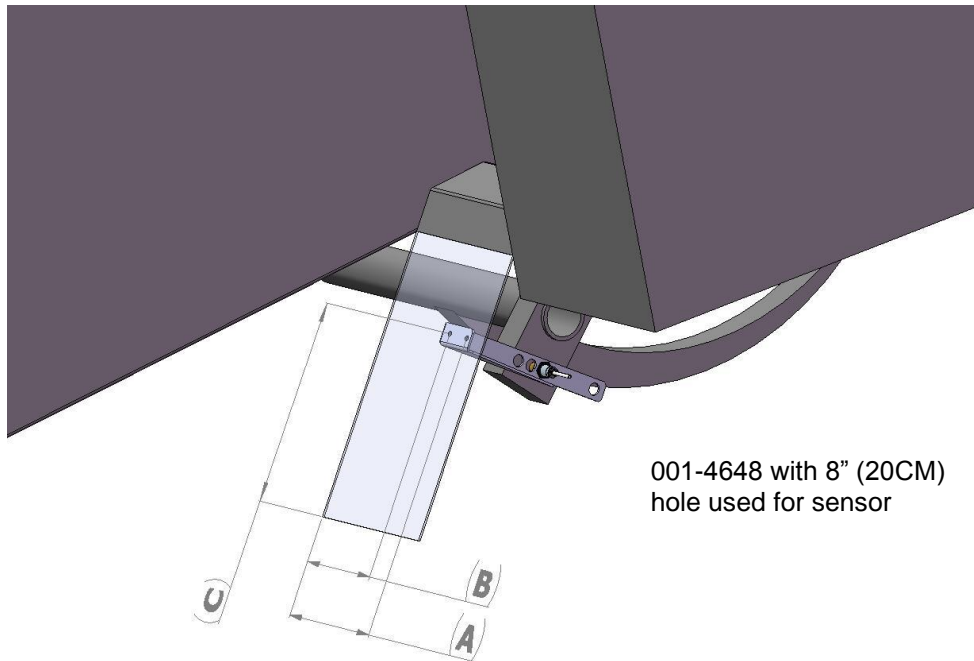
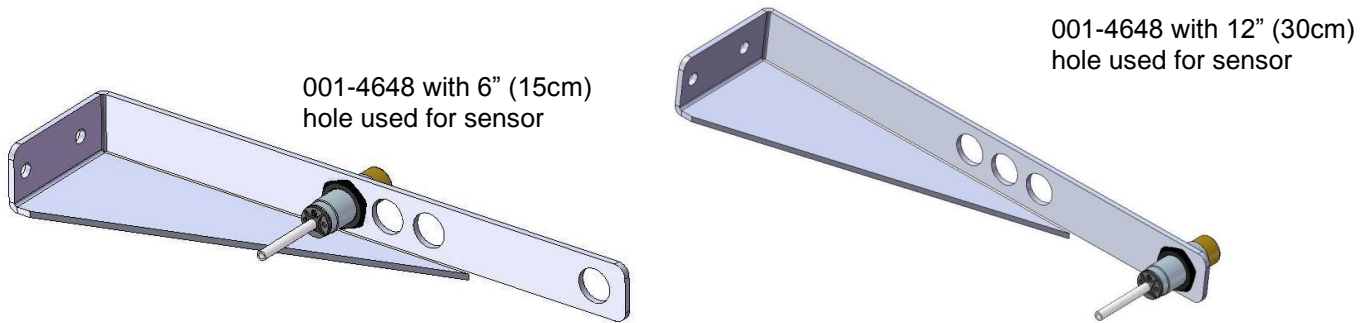




## Installation of End of Bale Sensor

The end of bale sensor determines the position of the needles on the baler. When the needles cycle the sensor communicates this information to the Dual Channel Processor (DCP). This information is used for job records and will be used by the optional Bale Identification System. Follow the steps below for your baler to mount the sensor.

End of bale sensor bracket (001-4648) will be used. Cutoff excess metal not used during installation.

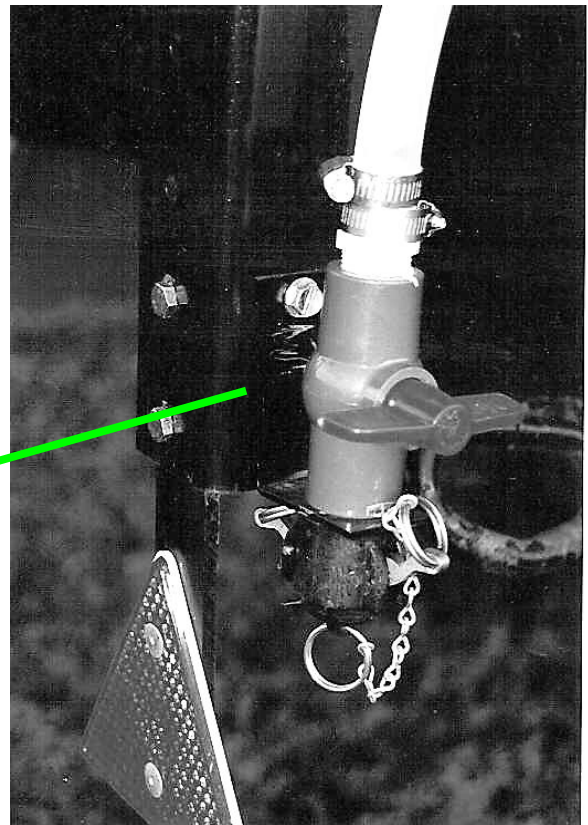
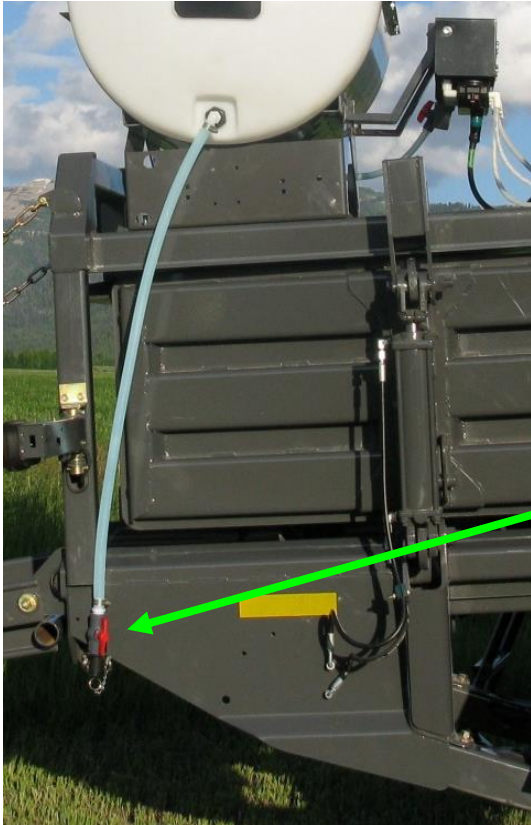


Sensor hole location	A	B	C
8" (20cm)	4-7/8" (12cm)	3-1/8" (8cm)	15" (37cm)

Mount the end of bale sensor bracket (001-4648) as shown in the 8" (20cm) hole position. Mark and drill two 3/8" (10mm) holes and attach the bracket using two 5/16" x 1" self-tapping screws, and 5/16" flange nuts. Mount the sensor in the 8" (20cm) hole location, keep the sensor 1/4" (7mm) from the needle arm and tighten both nuts. Cut off excess metal past the sensor. Run the sensor cable up to the Dual channel Processor (DCP) and secure to the baler.

## Installation of the Drain & Fill Line

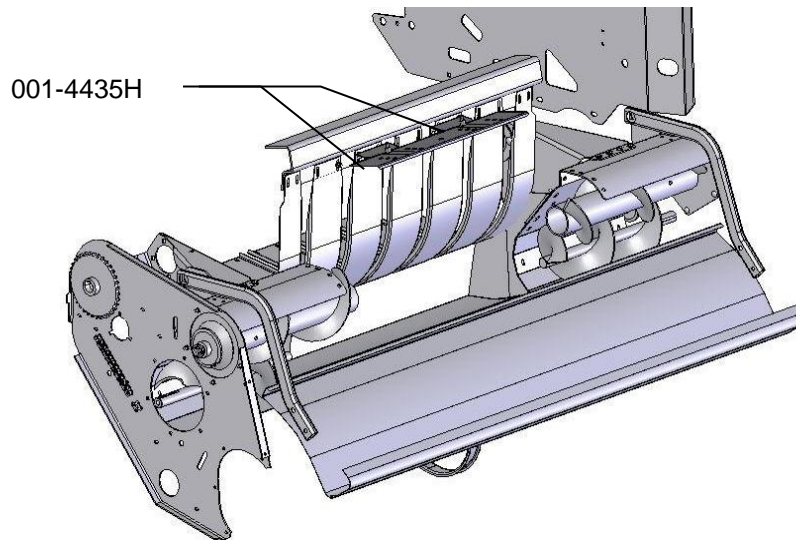
- A. Locate parts bag 1.
- B. Thread 3/4" elbow fitting into end of tank.
- C. Run hose from the elbow down the frame to the bottom of the baler.
- D. Drill 1/4" (7mm) holes to accept the valve holder bracket and use 5/16" x 1" self-tapping screws.
- E. Connect valve assembly to other end of hose. Place hose clamps on both ends.
- F. Secure hose to frame using cable locks.
- G. Install supplied safety decals (DCL-8001 & DCL-8005) next to the ball valve assembly.



## Installation of Spray Shield

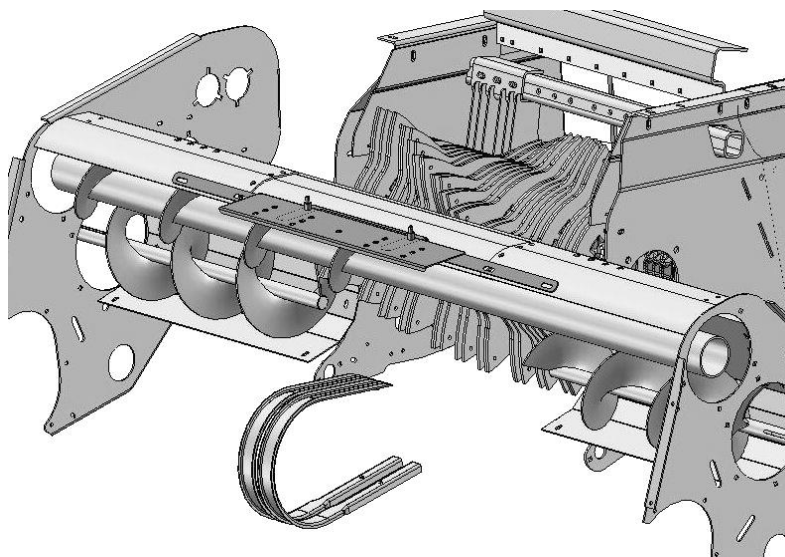
The spray shield assembly is designed to spray the hay evenly as the baler picks it up. Sketches of the spray shield nozzle holders are shown below.

## Installation of Spray Shield Kit 4518B



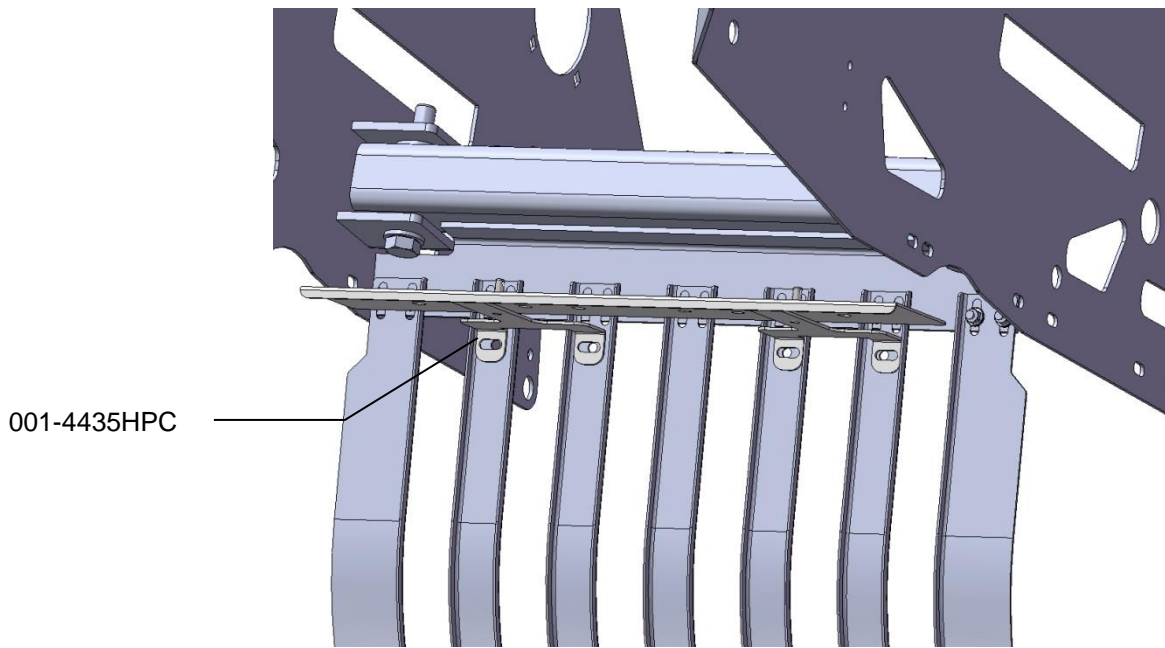
Remove the four bolts attached to the wrapper stripper plates as shown above. Replace with the four supplied  $3/8$ " x  $1-1/4$ " carriage bolts, nuts, locks, and flat washers. Mount the spray shield holders (001-4435H) and loosely tighten down hardware. Install spray shield and secure with the two supplied lynch pins. Tighten all hardware. Use the inside slots on 3x3 balers and the outside slots on 3x4 and 4x4 balers.

## Installation of Spray Shield Kit 4519B



Locate bottom hole on each side of center insert over top auger and bolt spray shield and mounting bracket into place using the  $3/8$ " x  $1-1/4$ " carriage bolts, nuts, locks, and flat washers. Use the inside slots on 3x3 balers and the outside slots on 3x4 and 4x4 balers.

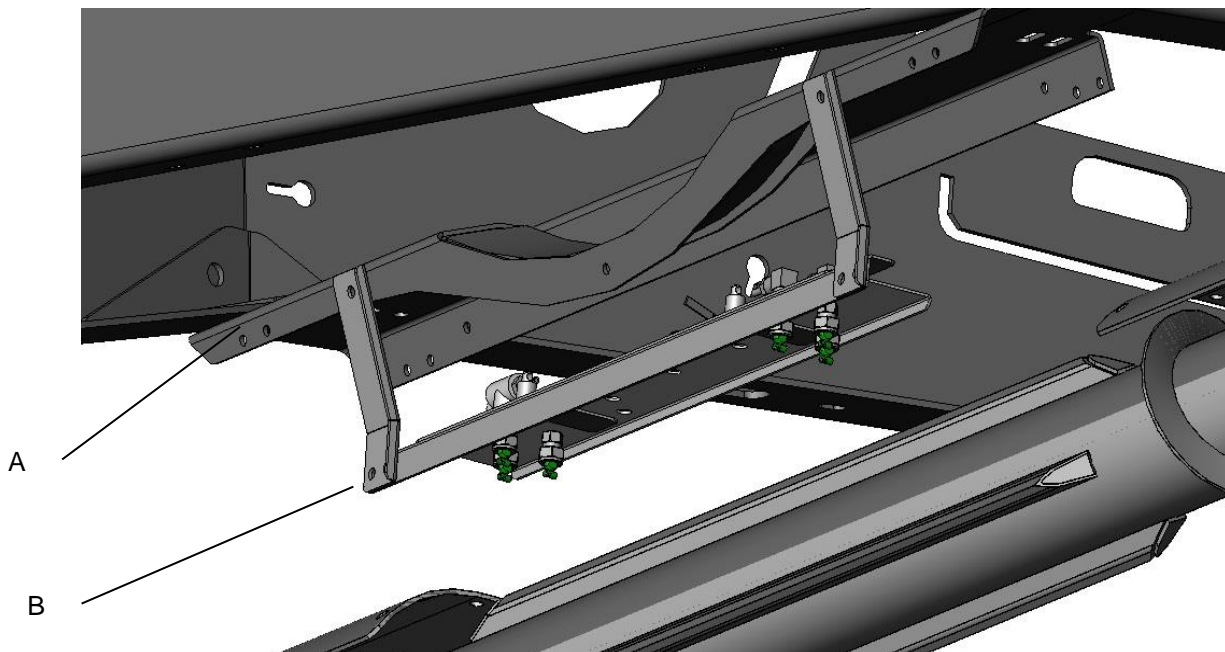
## Installation of Spray Shield Kit 4527B



Mount the two spray shield mounting brackets (001-4435HPC) to the baler as shown above. Attach using four  $\frac{3}{8}$ " x  $1\frac{1}{4}$ " bolts, flats, locks, and nuts. Mount the spray shield (001-4435ES) on top of the mounting brackets and secure with two lynch pins. Use the inside slots on 3x3 balers and outside slots on 3x4 and 4x4 balers.

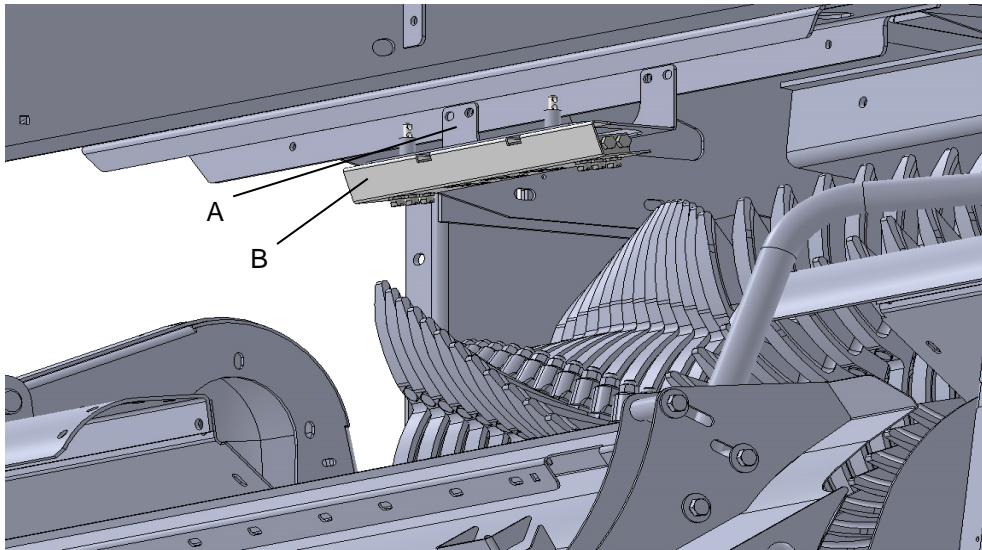
## Installation of Spray Shield Kit 4530B

Locate the two bolts shown in figure A directly below the baler's flywheel. Connect the two mounting brackets (001-4435XB) to figure A using the existing hardware. Connect the mounting brackets to the shield holder (001-4435XA) using four  $\frac{3}{8}$ " x 1" hex bolts, lock washers, and hex nuts. Install the spray shield assembly (001-4435AS) and secure with two supplied lynch pins.



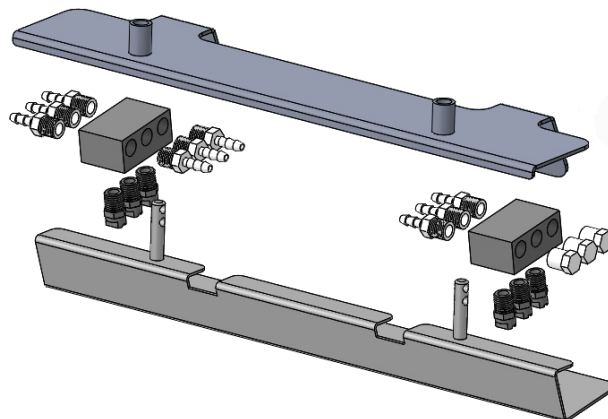
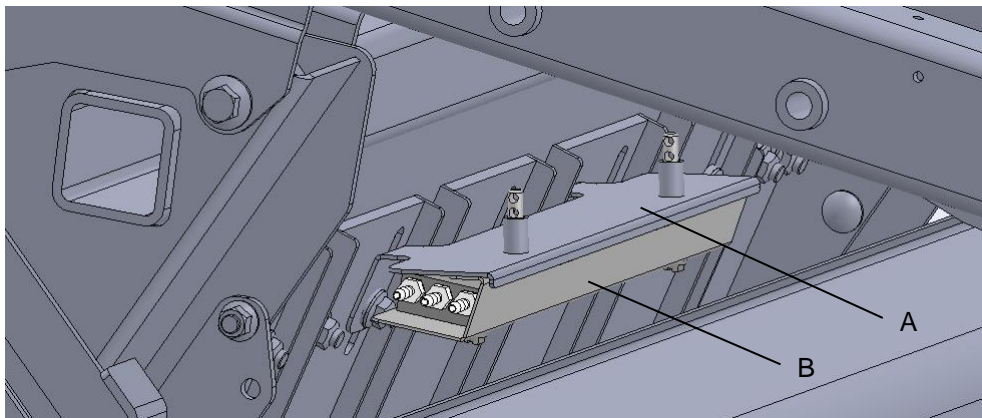
## Installation of Spray Shield Kit 4542B

Locate the baler cross support bar below the baler's flywheel. Connect the mounting bracket (001-4435NAX) as shown in figure A. Connect the mounting bracket to baler using two 3/8" x 1 1/4" hex bolts, lock washers, and hex nuts. Install the spray shield assembly (001-4435NSX) as shown in figure B and secure with supplied lynch pins.



## Installation of Spray Shield Kit 4544B

Locate the UHD spray shield holder (001-4435U). Connect the bracket to the wrapper extensions baler centered above the pickup as shown below (figure A) existing hardware, figure B. Connect the spray shield (001-4435NSX) and secure with two lynch pins (008-4576).



## Plumbing

- A. Locate the three 1/4" hoses colored clear, blue, and green. The pumps will need to be connected to specific tips so the pump numbers are as follows: Pump 1 is closest to the filter bowl, pump 2 is in the middle, and pump 3 is the outside pump.
- B. Slide the jaco nut over the end the hose and insert the hose into the jaco fitting and tighten the jaco nut. Because all nozzles on the spray shield are different, the operator will need to install pump 1 to the orange tips using the clear hose, pump 2 to the green tips using the green hose and pump 3 to the blue tips using the blue hose.
- C. **KEEP HOSE AWAY FROM: MOVING PARTS, SHARP METAL, AND HYDRAULIC LINES. WORKING TEMPERATURE FOR THE HOSE IS 140 °F AND UNDER.**
- D. Tie the hose down at secure locations on the baler using the enclosed tie straps and cable clamps.

## High and Low Output Tips

Your baler comes with two sets of tips: a high set and a low set. **The High set comes factory installed.**

**-The High set will cover outputs of 84 to 632 lbs/hr (38-287 L/hr) (Approx. 21-63 tons/hr) Install these tips:**

- Clear hose to orange tips (004-TT11001VP)
- Green hose to green tips. (004-TT110015VP)
- Blue hose to blue tips. (004-TT11003VP)

**-The Low set will cover outputs of 44 to 400 lbs/hr (20 – 180 L/hr) ( (Approx. 11-40 tons/hr) Install these tips:**

- Clear hose olive green tips. (004-800067PT)
- Green hose to orange tips. (004-TT11001VP)
- Blue hose to olive green tips. (004-TT110015VP)

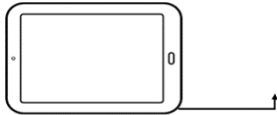
**If you switch tips be sure to change the tip output setting (in the software through the display) under Application Rate. Instructions to change the application rate are in the Operator's Manual under "Application Rate: Selecting High or Low tips."**

## Installation of iPad Integration Control

Locate a safe location in the cab of the tractor to place the iPad Integration Control (030-6672C). Recommended location is securely fastened out of the operators way in a location that is close enough to reach with the iPad cord.

**Connect the Power / Communication harness (006-6650TM(E)) to the bottom of the receiver.**

To operate the applicator, plug the iPad cord into the communication port indicated by:



## iPad Integration Control Light Signals

Green Slow Blink – Power supplied to the applicator system and the unit is going through its startup process. This will take approximately 25-35 seconds.

Green Double Blink – Indicating the iPad module recognizes the iPad but the app is not open or connected.

Green Solid Light – Module is connected to the app and is ready to operate.

\*Recommended to use the USB cable included with the applicator kit (006-6672USBC)

## Bluetooth Receiver Lights

Pre-2020 applicators equipped with Bluetooth receivers (030-6672B) are now equipped with lights to indicate both power and Hay App connection on the Apple iPad. Clean light regularly

*Blinking Lights* – System is waiting for the processor to connect, which could take up to 35 seconds.

*Red Light* – The Bluetooth receiver has power

*Green Light* – The Bluetooth receiver is connected to the Hay App.



**\*\*600 Series Applicators with serial number before DCP27000 will require the DCP to be sent to Harvest Tec for a required update in order to use the iPad Integration Module (030-6672C).**

Hay App version must be **at least 2.5.18 (or higher)** to operate with the iPad Integration Module

## \*Made for Apple iPad badge

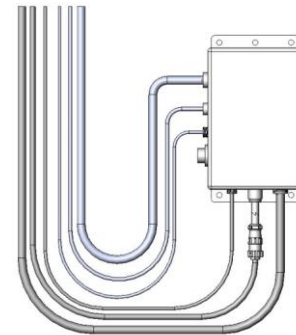
Use of the Made for Apple iPad badge means that an accessory has been designed to connect specifically to the Apple product(s) identified in the badge and has been certified by the developer to meet Apple performance standards. Apple is not responsible for the operation of this device or its compliance with safety and regulatory standards.

Please note that the use of this accessory with an Apple product may affect wireless performance.

## Installation of Star Wheel and Bale Rate Harness

First, remove the cover from the star wheel block and use a 1/4" nut driver to remove the nut from the electronic swivel. Next, run the star wheel sensor wire through the black grommet and place the eye terminal on the star wheel sensor. Tighten the eye loop with the nut on the sensor and put the star wheel cover back on the base. Next, tighten the grommet to form a tight seal around the wire. The bale rate sensors will be factory installed on the right side twine guard in the correct position. The sensor with the longer sensor wire should say "FRONT", which indicates it should be placed in the front sensor hole. The sensor wire with the shorter wire should say "BACK." The tip of the sensor should be placed no more than 1/4" (7mm) away from the star wheel teeth and no less than 1/8" (3mm) from the star wheel teeth. Each sensor will have an LED light located on the sensor by the diverter. Once the unit is powered up spin the wheel and make sure that both led lights turn on and off. If they don't turn on and off, adjustments may need to be made.

## Main Wire Harness and Baler Interface Harness Routing and Connections



A. Route harness 006-6650LS2 along this path or similar inside of the baler. Keep harnesses away from moving parts and hydraulic hoses. Secure with existing cable clamps or use cable ties. When all connections are made to the DCP secure wires as shown above to allow for water to be shed away from the DCP.



B. Under the chamber locate the Active Terminator from the end of the baler harness. It is located at the right rear corner of the baler frame. Attach Baler Interface Harness (006-6650VA) to that location. Reconnect Active Terminator to open port of that same harness (006-6650VA). If your baler does not have a Terminator at this location please call Harvest Tec.

If your baler has the White Terminating Resistor you will need to attach the Pre 2012 AGCO Integration Harness (006-6650VAX) to the end of the Baler Interface harness (006-6650VA). Please contact Harvest Tec for this harness. This style terminator may be next to the Baler's Main Processor.



## UHD Baler ISOBUS Integration Connection

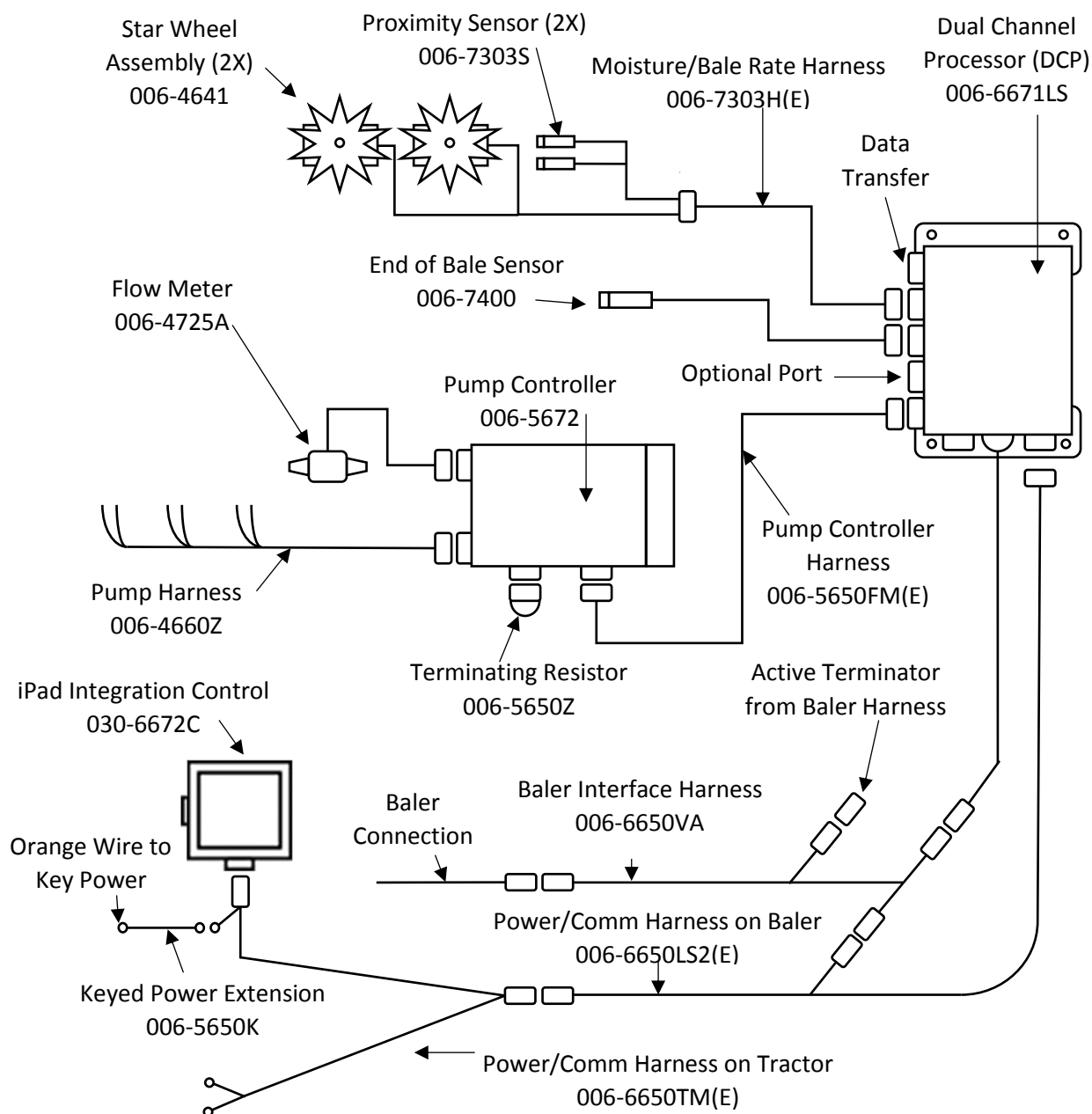
Under the chamber locate the harness labeled (LHR-C72 ISOBUS Term). It is located at the right rear corner of the baler frame. Attach Baler Interface Harness (006-6650VAU) to that location



## Wiring Diagram – Non UHD Baler

- A. The **Baler Power/Communication Harness** (006-6650LS2(E)) will attach to the open port of the Tractor **Harness** (006-6650TM(E)) and run back to the **Dual Channel Processor** (006-6671LS). Connect the large plug of the Baler Power/Communication Harness (006-6650LS2(E)) to the bottom (shorter side) of the DCP.
- B. Attach the **Baler Interface Harness** 006-6650VA or 006-6650VAU (UHD Baler) in between the short whip cable hardwired to the DCP and the main Power/Communication Harness (006-6650LS2(E)). Make sure Active Terminator removed from the top of the baler processor is attached to Baler Interface Harness 006-6650VA or the 006-6650VAU (UHD Baler).
- C. Install green terminator (006-5650Z) to the port labeled **Modular Port** on the Pump Controller (006-5672).
- D. Attach moisture and bale rate harness (006-7303H(E)) as well as the end of bale harness (006-7400) to the DCP (006-6671LS).
- E. Attach the Pump Control Harness (006-5650F3M(E)) between the Pump Controller (006-5672) and the DCP (006-6671LS).
- F. Connect Keyed Power Extension harness (006-5650K) to a keyed power source.
- G. Connect the iPad Integration Control (030-6672C) to the Communication Harness (006-6650TM(E)).

Note: The Optional Port and the Data Transfer Port are not used in this application.



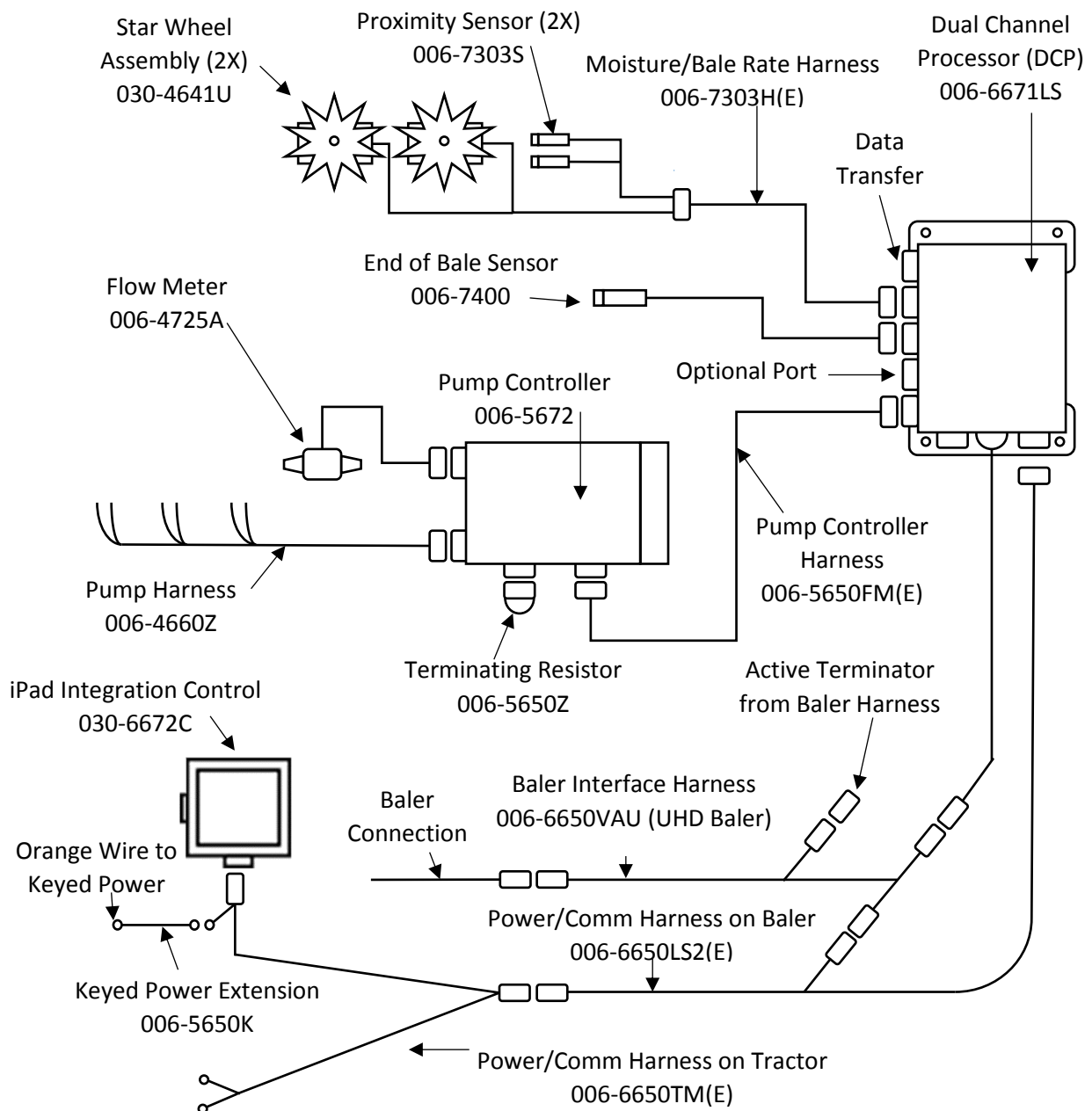
\*AGCO 2100 Series Balers Pre 2012 will need the Integration Harness 006-6650VAX

\*Note: (E) indication is used for International Dealers

## Wiring Diagram – UHD Baler Only

- A. The **Baler Power/Communication Harness** (006-6650LS2(E)) will attach to the open port of the Tractor **Harness** (006-6650TM(E)) and run back to the **Dual Channel Processor** (006-6671LS). Connect the large plug of the Baler Power/Communication Harness (006-6650LS2(E)) to the bottom (shorter side) of the DCP.
- B. Attach the **Baler Interface Harness** 006-6650VA or 006-6650VAU (UHD Baler) in between the short whip cable hardwired to the DCP and the main Power/Communication Harness (006-6650LS2(E)). Make sure Active Terminator removed from the top of the baler processor is attached to Baler Interface Harness 006-6650VA or the 006-6650VAU (UHD Baler).
- C. Install green terminator (006-5650Z) to the port labeled **Modular Port** on the Pump Controller (006-5672).
- D. Attach moisture and bale rate harness (006-7303H(E)) as well as the end of bale harness (006-7400) to the DCP (006-6671LS).
- E. Attach the Pump Control Harness (006-5650F3M(E)) between the Pump Controller (006-5672) and the DCP (006-6671LS).
- F. Connect Keyed Power Extension harness (006-5650K) to a keyed power source.
- G. Connect the iPad Integration Control (030-6672C) to the Communication Harness (006-6650TM(E)).

Note: The Optional Port and the Data Transfer Port are not used in this application.



\*Note: (E) indication is used for International Dealers

## Pin Outs

### Power/Comm Harness 006-6650TM(E) at Hitch

Pin 1	Red	+12V Power to TSD
Pin 2	Red	+12V Power to DCP
Pin 3	Orange	Keyed Power
Pin 4	Gray	Shield
Pin 5	Green	HT Can Low
Pin 6	Yellow	HT Can Hi
Pin 7	Orange	Can1 Hi
Pin 8	Black	Ground from TSD
Pin 9	Black	Ground from DCP
Pin 10	Blue	Can1 Low



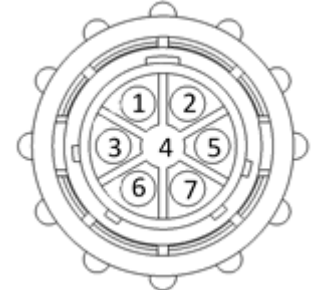
### Power/Comm Harness 006-6650LS2(E) at Hitch

Pin 1	Red	+12V Power to TSD
Pin 2	Red	+12V Power to DCP
Pin 3	Orange	Keyed Power
Pin 4	Gray	Shield
Pin 5	Green	HT Can Low
Pin 6	Yellow	HT Can Hi
Pin 7	Orange	Can1 Hi
Pin 8	Black	Ground from TSD
Pin 9	Black	Ground from DCP
Pin 10	Blue	Can1 Low



### iPad Integration Control / BLE on Harness 006-6650TM(E)

Pin 1	Red	+12V Power from DCP
Pin 2	Black	Ground from TSD
Pin 3	Yellow	HT Can Low
Pin 4	Gray	Shield
Pin 5	Green	HT Can Hi
Pin 6	Orange	Can1 Hi
Pin 7	Blue	Can1 Low



### 006-6650VA to DCP Whip

Pin 1	Red	Can Power
Pin 2	Black	Can Ground
Pin 3	Yellow	HT Can Hi
Pin 4	Gray	Shield
Pin 5	Green	HT Can Low
Pin 6	Orange	Can1 Hi
Pin 7	Blue	Can1 Low



**Pin Outs (continued)**

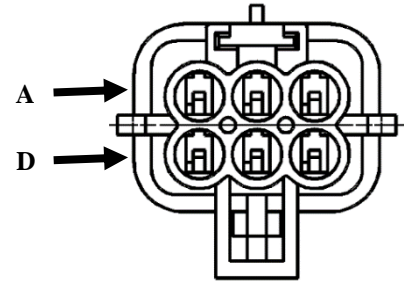
006-6650VA to 006-6650LS2(E)

Pin 1	Red	Can Power
Pin 2	Black	Can Ground
Pin 3	Yellow	HT Can Hi
Pin 4	Gray	Shield
Pin 5	Green	HT Can Low
Pin 6	N/A	
Pin 7	N/A	



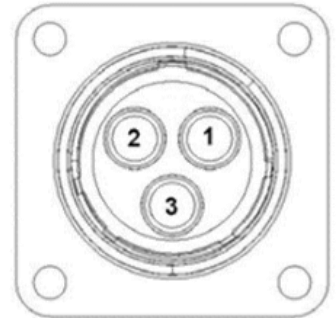
006-6650VA or 006-6650VAU Harness to Baler Plug

Pin A	N/A	
Pin B	Red	TBC Power
Pin C	N/A	
Pin D	Gray	TBC Ground
Pin E	Orange	Can1 Hi
Pin F	Blue	Can1 Low



Main Power Connector on Dual Channel Processor (DCP)

Pin 1	Red	+12V Power from tractor
Pin 2	Black	Ground from tractor
Pin 3	Orange	Keyed power



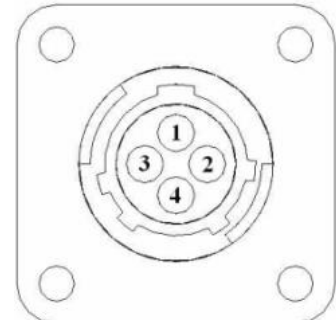
Star Wheel and Bale Rate Sensor connector on DCP

Pin 1	Blue	+12V Power
Pin 2	Orange	Ground
Pin 3	Black	Signal for sensor 1
Pin 4	White	Signal for sensor 2
Pin 5	N/A	
Pin 6	N/A	
Pin 7	N/A	
Pin 8	Violet	Star wheel input 1
Pin 9	Brown	Star wheel input 2



End of Bale sensor on DCP

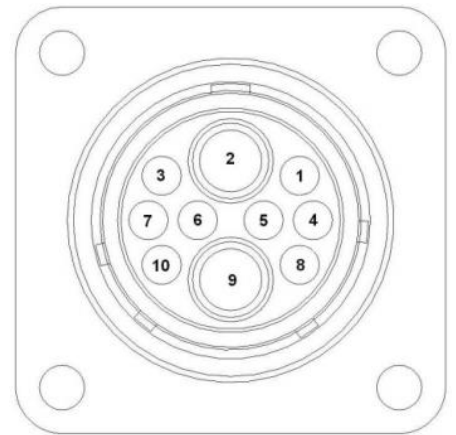
Pin 1	Brown	Sensor Power
Pin 2	Blue	Sensor Ground
Pin 3	N/A	
Pin 4	Black	Signal from Sensor



## Pin Outs (continued)

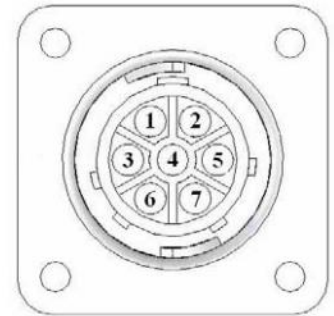
### Pump Communication Plug on DCP

Pin 1	Red	+12V Can
Pin 2	Red	+12V Power
Pin 3	Gray	Shield
Pin 4	Green	Comm Channel OH
Pin 5	Yellow	Comm Channel OL
Pin 6	Blue	Comm Channel IH
Pin 7	Orange	Comm Channel IL
Pin 8	Black	Can Ground
Pin 9	Black	Power Ground
Pin 10	N/A	



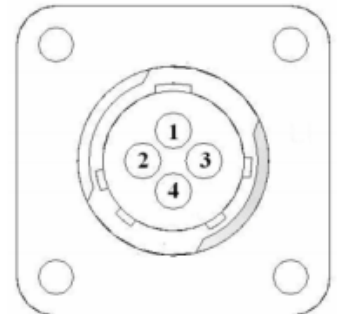
### Pump Connection Colors

Pin 1	Black with Orange Stripe	Pump 1 Ground
Pin 2	Black with Green Stripe	Pump 2 Ground
Pin 3	Black with Yellow Stripe	Shield
Pin 4	N/A	
Pin 5	Orange with Black Stripe	Pump 1 Positive
Pin 6	Green with Black Stripe	Pump 2 Positive
Pin 7	Yellow with Black Stripe	Pump 3 Positive



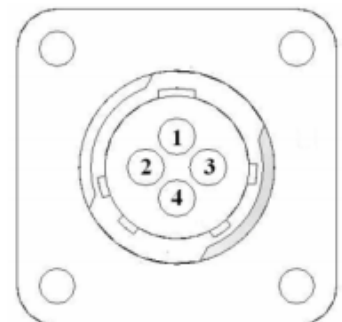
### Flow Meter Connection on Pump Controller

Pin 1	White	+5-12V Power
Pin 2	Green	Ground
Pin 3	Brown	Signal
Pin 4	Black	Shield



### Connector for Crop Eyes on DCP

Pin 1	Red	+12V Power
Pin 2	Black	Ground
Pin 3	White	Signal
Pin 4	N/A	

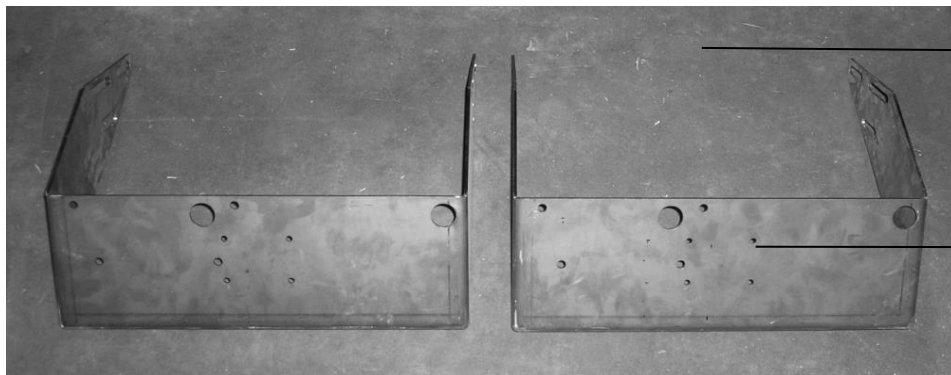


# Parts Breakdown Tank, Saddle and Legs 110 Gallon



**Not Pictured: Elbow**  
Part#:003-EL3412

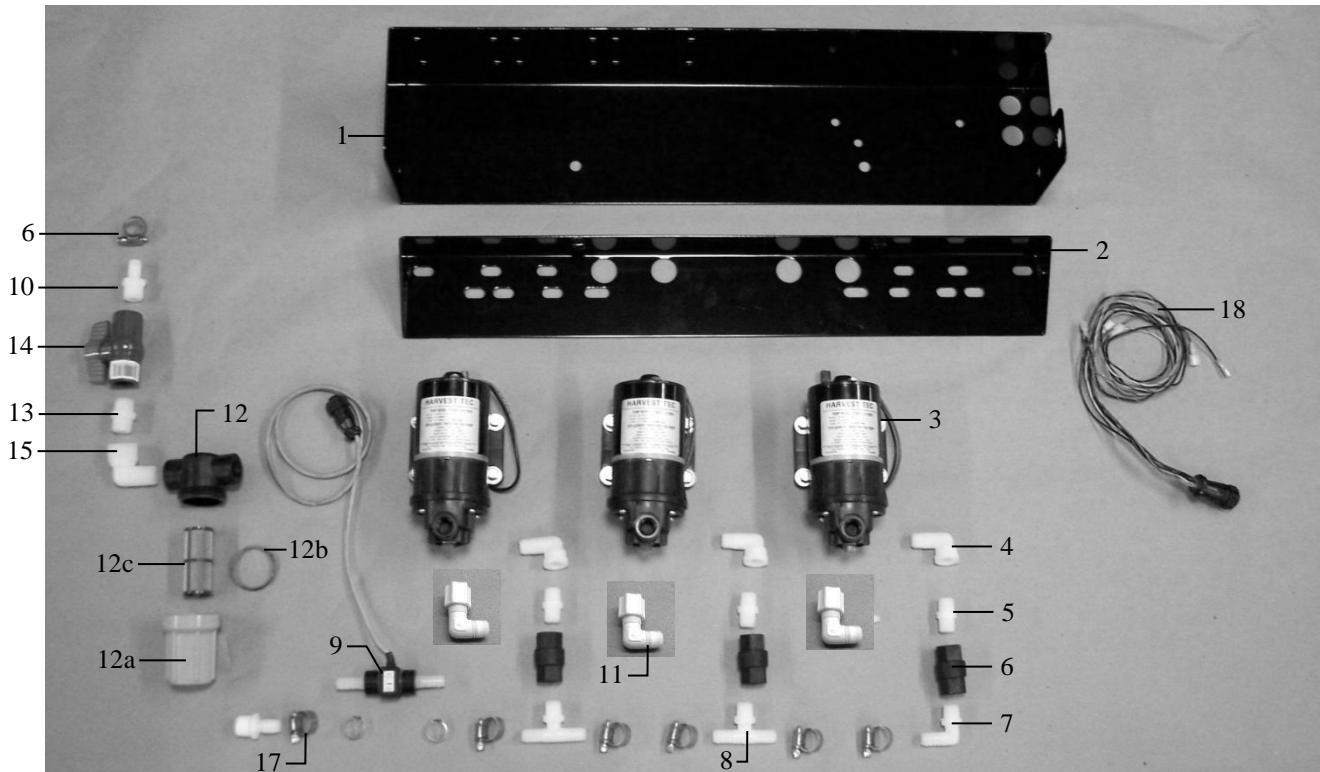
- Tank Lid**  
Part #:005-9022E  
or 005-9208L
- Tank-110 gallon**  
Part #: 005-9208
- Hand Rail**  
Part #: 001-6707HR
- Tank Straps**  
Part #: 001-4402B
- Tank Saddle**  
Part #: 001-6707A
- Tank Fittings**  
Part #: 005-9100



**Legs for: AGCO,  
Hesston,  
Massey & Challenger**

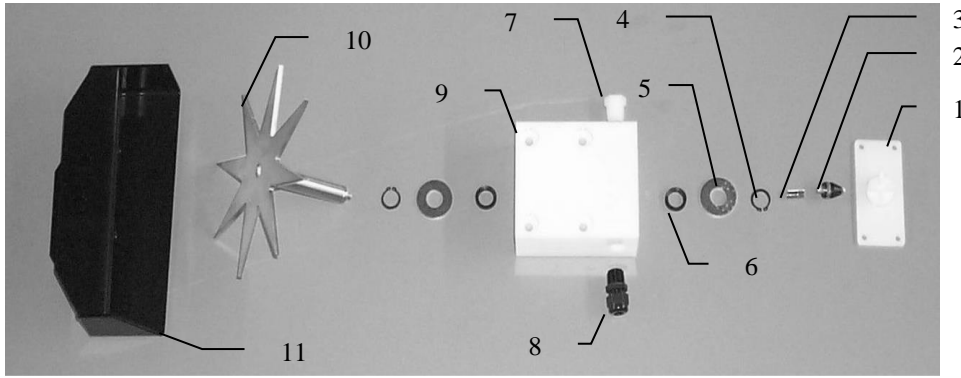
**Saddle Legs**  
Part # 001-6707C

## Parts Breakdown for Pump Manifold

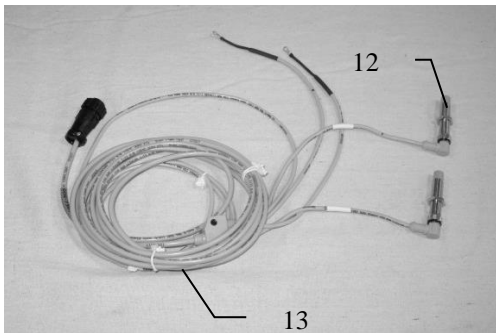


<u>Ref#</u>	<u>Description</u>	<u>Part#</u>	<u>Qty</u>
1	Pump plate	001-4646D	1
2	Mounting Bracket	001-4646C	1
3	Pump	007-4120H	3
4	Street elbow fitting	003-SE38	3
5	Nipple fitting	003-M3838	3
6	Check valve	002-4566F	3
7	Elbow fitting	003-EL3812	1
8	Tee fitting	003-T3812HB	2
9	Flow meter assembly	006-4725A	1
10	Straight fitting	003-A1212	2
11	Jaco fitting	003-JEL1238	3
12	Filter bowl assembly	002-4315-100	1
12a	Filter bowl only	002-4315F	1
12b	Filter bowl gasket	002-4315D	1
12c	Filter bowl screen	002-4315A	1
13	Nipple fitting	003-M1212	1
14	Ball valve	002-2212	1
15	Street elbow fitting	003-SE12	1
16	Hose clamp	003-9003	7
17	Hose clamp (Flow Meter)	003-9005	2
18	Pump Cable	006-4660Z	1
NP	Elbow	003-EL1212	1
NP	Pump rebuild kit (1 per pump)	007-4581	1
	Complete Pump Assembly	030-4646	

## Parts Breakdown for Star Wheel Moisture Sensors



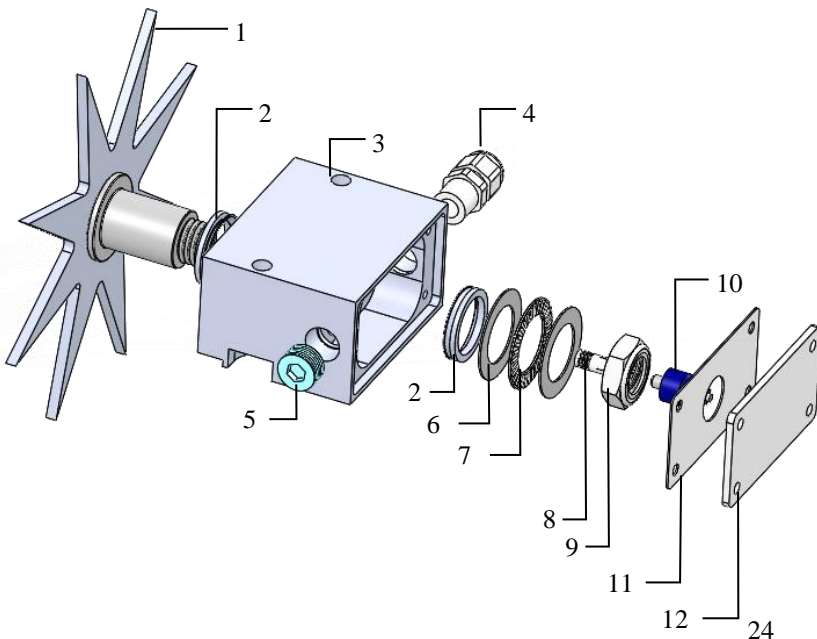
Ref	Description	Part#	Qty	Ref	Description	Part#	Qty
1	Block cover	006-4641B	2	9	Star wheel block	006-4641A	2
2	Electronic swivel	006-4642A	2	10	Star wheel sensor	030-4641C	2
3	Swivel insert	w/ Ref # 10	2	11	Twine guard-left for AGCO	001-4645H	1
4	Snap ring (per side)	006-4641K	2		Twine guard-right for AGCO	001-4644H	1
5	Washer (per side)	w/006-4641K	2	1-10	Star wheel assembly	030-4641	2
6	Dust seal (per side)	w/006-4641K	2	NP	Star wheel spacer	001-6707E	2
7	Plug fitting	003-F38	2				
8	Wiring grommet	008-0821A	2	NP	UHD Left Twine Guard	001-4645	1
				NP	UHD Right Twine Guard	001-4644	1



Ref	Description	Part#	Qty
12	Bale rate sensor	006-7303S	2
13	Moisture and bale rate harness	006-7303H(E)	1

\*Note: (E) indication is used for International Dealers

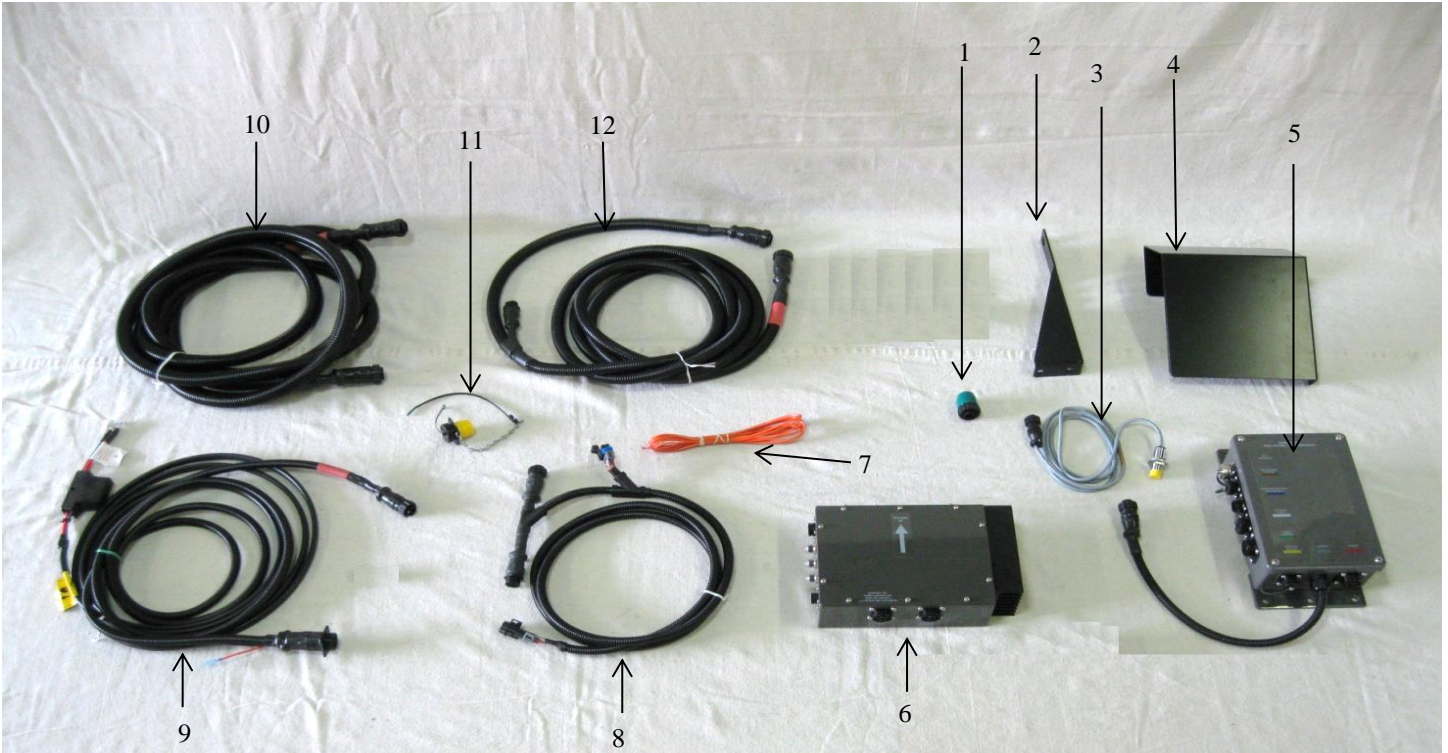
## Star Wheel Moisture Sensors UHD Balers (4544B Install Kit)



Ref	Description	Part#	Qty
1	Univ Star Wheel	006-4641S	1
2	Dust Seal	006-4641DSL	2
3	Univ Star Block	006-4641Q	1
4	3/8" NPT Cable Grip	008-0821A	1
5	3/8" NPT Plug	003-F38	1
6	Thrust Washer	006-4641TA	2
7	Thrust Bearing	006-4641TB	1
8	Swivel Insert	006-4642B	1
9	3/4" Short Nut	006-4641U	1
10	Rotary Swivel	006-4642A	1
11	Cover Gasket	006-4641RG	1
12	Univ Block Cover	006-4641R	1
	Complete Assembly	030-4641U	2



## 696M Control Boxes and Harnesses



Ref	Description	Part Number	Qty
1	Terminating Resistor Series	006-5650Z	1
2	End of Bale Sensor Bracket	001-4648	1
3	End of Bale Sensor Series	006-7400	1
4	DCP Shield/Cover	001-5650X	1
5	DCP Main Control LS 600 AUTO	006-6671LS	1
6	Pump Controller	006-5672	1
7	Key Switch Wire	006-5650K	1
8	DCP Baler Interface Harness	006-6650VA	1
NP	UHD Baler Only DCP Baler Interface Harness	006-6650VAU	1
9	DCP Tractor Harness	006-6650TM(E)	1
10	Modular Power/Comm 10 FT Harness	006-5650FM(E)	1
11	Dust Plugs	006-5651PLUGS	1
12	DCP Baler Harness 30 FT	006-6650LS2(E)	1
NP	USB Cord	006-6672USBC	1

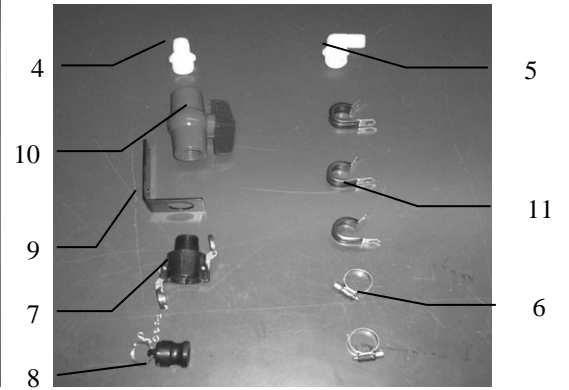
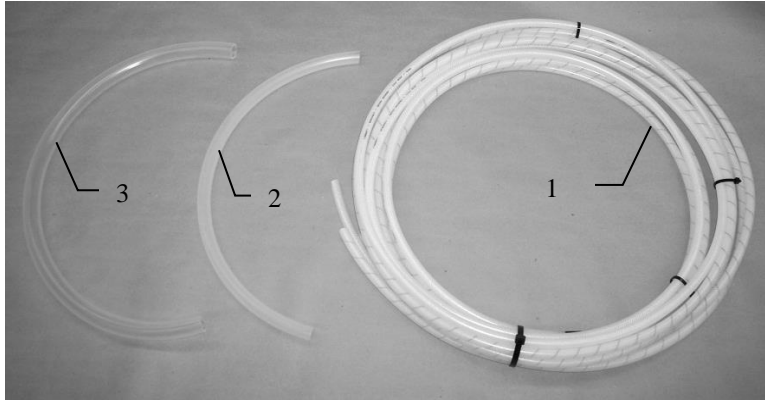
AGCO 2100 Series Baler-Pre 2012 will need 006-6650VAX



Part #: 030-6672C

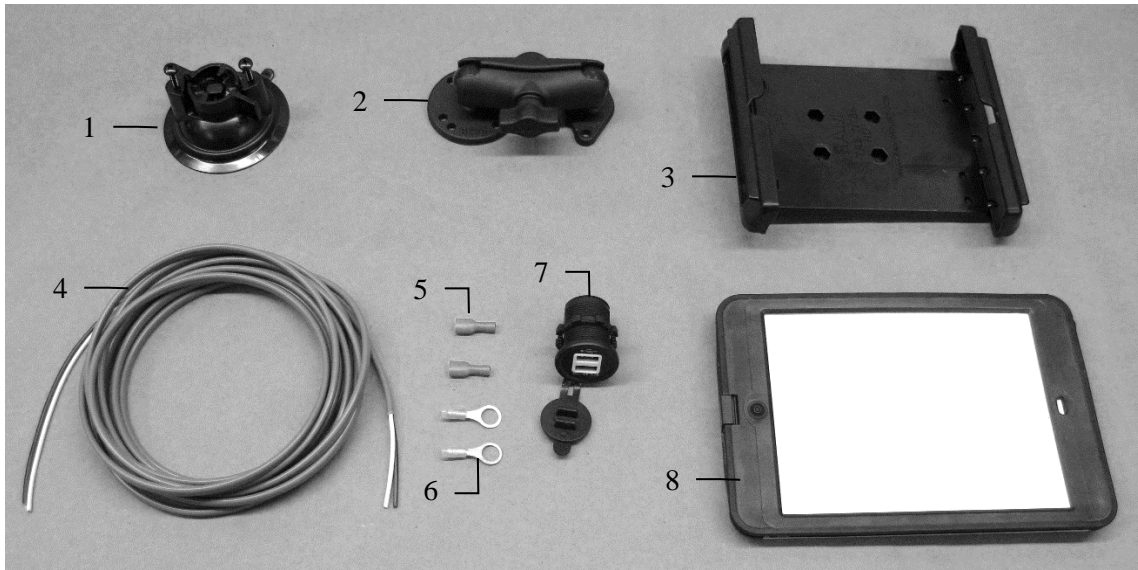
\*Note: (E) indication is used for International Dealers

## Parts Breakdown for Hose and Drain Fill Line



<u>Ref</u>	<u>Description</u>	<u>Part#</u>	<u>Qty</u>	<u>Ref</u>	<u>Description</u>	<u>Part#</u>	<u>Qty</u>
1	Triple weld hose (pumps to tips)	002-9016	35ft	7	Female Coupler	002-2204A	1
		002-9016B	35ft				
		002-9016G	35ft				
	Three hose assembly	030-9016LS	1				
2	1/2" Hose (tank to filter)	002-9001	6ft	8	Male Coupler	002-2205G	1
3	3/4" Hose (tank to drain/fill valve)	002-9002	10ft	9	Valve Holder	001-6702H	1
4	Straight Fitting	003-A3434	1	10	Ball valve	002-2200	1
5	Elbow	003-EL3434	1	11	Jiffy Clip	008-9010	3
6	Hose Clamps	003-9004	2				

## Optional iPad Mini Mounting Kit (030-2014MK)



<u>Ref</u>	<u>Description</u>	<u>Part #</u>	<u>Qty</u>
1	Suction cup mount	001-2012SCM	1
2	Ram mount	001-2012H	1
3	iPad Mini® spring load cradle (Mini 4)	001-2012SLC	1
4	16 gauge power wire	006-4723P	1
5	Female spade connector	Hardware	2
6	Eye loop connector	Hardware	2
7	iPad Mini Charger 12V	001-2012P	1
8	iPad Mini 4 case	001-2012C4	1
NP	4 amp fuse	Hardware	1

Mounting Kit Assembly

030-2014MK  
(Includes All Parts)

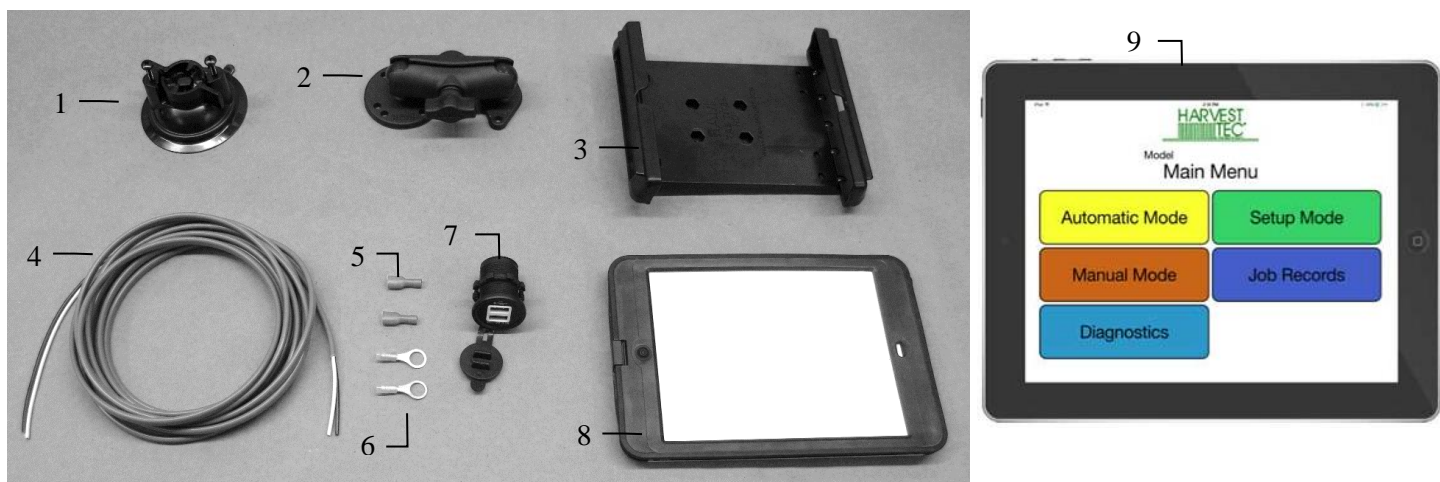
### Installation Instructions

1. Identify 12V power source for wires to connect.
  - a. Eye loops included if wiring directly to the battery is desired.
  - b. Test for key power source if preferred to have power to the USB shut off with the key.
2. Once power source is identified, cut wires to desired length.
3. Crimp the two supplied quick connectors onto each the white and black wire.
4. Remove the round locking plastic nut from USB plug before connecting the wires. Black (+) White (-).
5. The wires will then be hooked to the designated terminals on the bottom of the USB plug
6. Drill a 1 1/8" hole in the preferred mounting location. Be sure to clean any sharp edges after drilling.
7. Feed the wires through the mounting hole.
8. If using the round plastic nut to secure plug in place, slide the nut back over the wiring before connecting the wires to powered source.
9. Connect the wires to the identified power source if easier to do so before tightening the plug into place.
10. Tighten plug using either the round plastic nut or mounting plate and two screws, both options supplied.
11. Once connected, hook a USB charging cord into the plug and connect a mobile device/tablet to ensure the plug is operating as you wish (key power working properly if necessary).

NOTE: This plug is not designed to charge two iPads. System damage could occur if this is attempted.  
System will charge a mobile phone and iPad simultaneously without problem.

\*iPad mini is a trademark of Apple Inc., registered in the U.S. and other countries.

## Optional iPad Display Kit (030-4670DK)



<u>Ref</u>	<u>Description</u>	<u>Part #</u>	<u>Qty</u>	<u>Ref</u>	<u>Description</u>	<u>Part #</u>	<u>Qty</u>
1	Suction cup mount	001-2012SCM	1	7	iPad Mini Charger 12V	001-2012P	1
2	Ram mount	001-2012H	1	8	iPad Mini 4 case	001-2012C4	1
3	iPad Mini® spring load cradle (Mini 4)	001-2012SLC	1	9	iPad Mini 4	006-4670IP	1
4	16 gauge power wire	006-4723P	1	NP	4 amp fuse	Hardware	1
5	Female spade connector	Hardware	2				
6	Eye loop connector	Hardware	2		Mounting Kit Assembly	030-4670DK (Includes All Parts)	

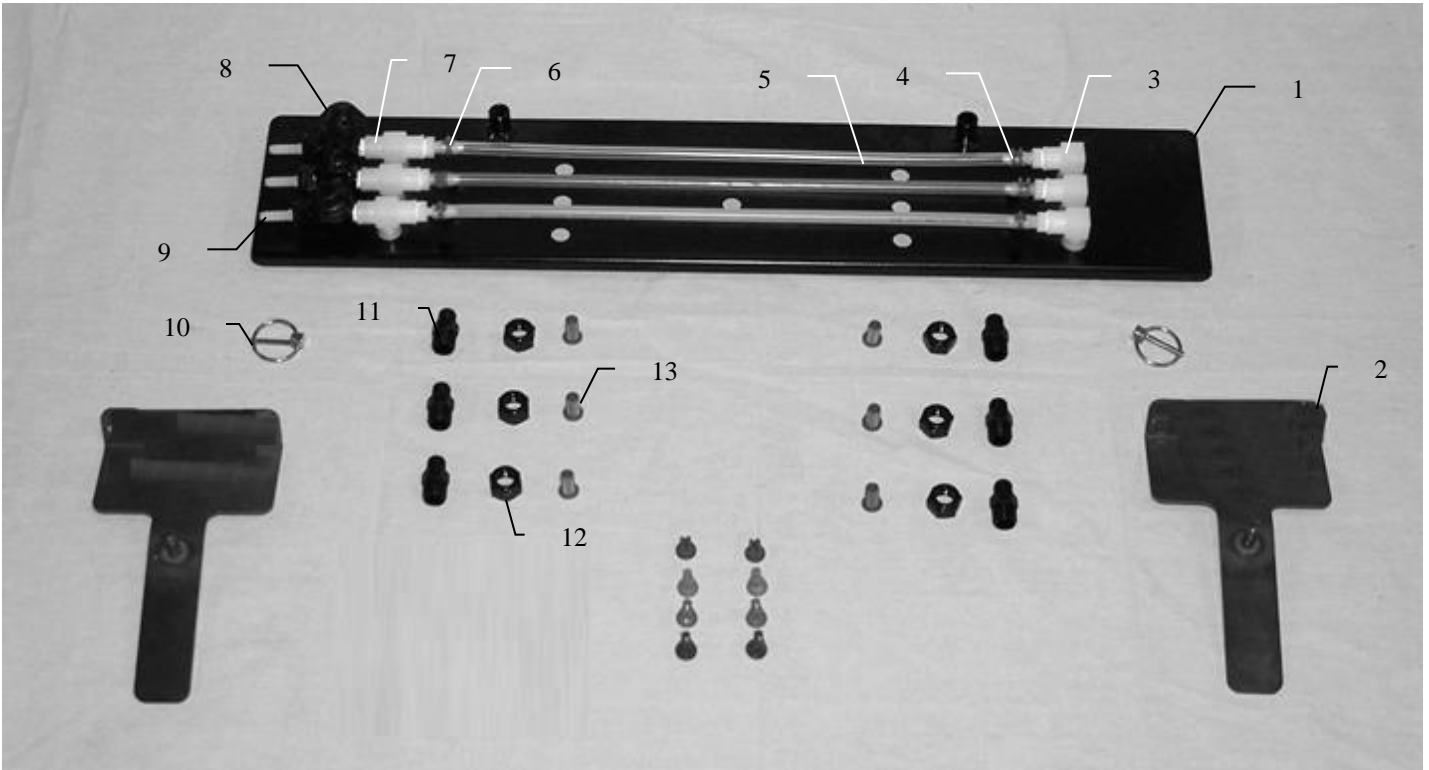
### Installation Instructions

1. Identify 12V power source for wires to connect.
  - a. Eye loops included if wiring directly to the battery is desired.
  - b. Test for key power source if preferred to have power to the USB shut off with the key.
2. Once power source is identified, cut wires to desired length.
3. Crimp the two supplied quick connectors onto the white and black wire.
4. Remove the round locking plastic nut from USB plug before connecting the wires. Black (+) White (-).
5. The wires will then be hooked to the designated terminals on the bottom of the USB plug
6. Drill a 1 1/8" hole in the preferred mounting location. Be sure to clean any sharp edges after drilling.
7. Feed the wires through the mounting hole.
8. If using the round plastic nut to secure plug in place, slide the nut back over the wiring before connecting the wires to powered source.
9. Connect the wires to the identified power source if easier to do so before tightening the plug into place.
10. Tighten plug using either the round plastic nut or mounting plate and two screws, both options supplied.
11. Once connected, hook a USB charging cord into the plug and connect a mobile device/tablet to ensure the plug is operating as you wish (key power working properly if necessary).

**NOTE: This plug is not designed to charge two iPads. System damage could occur if this is attempted. System will charge a mobile phone and iPad simultaneously without problem.**

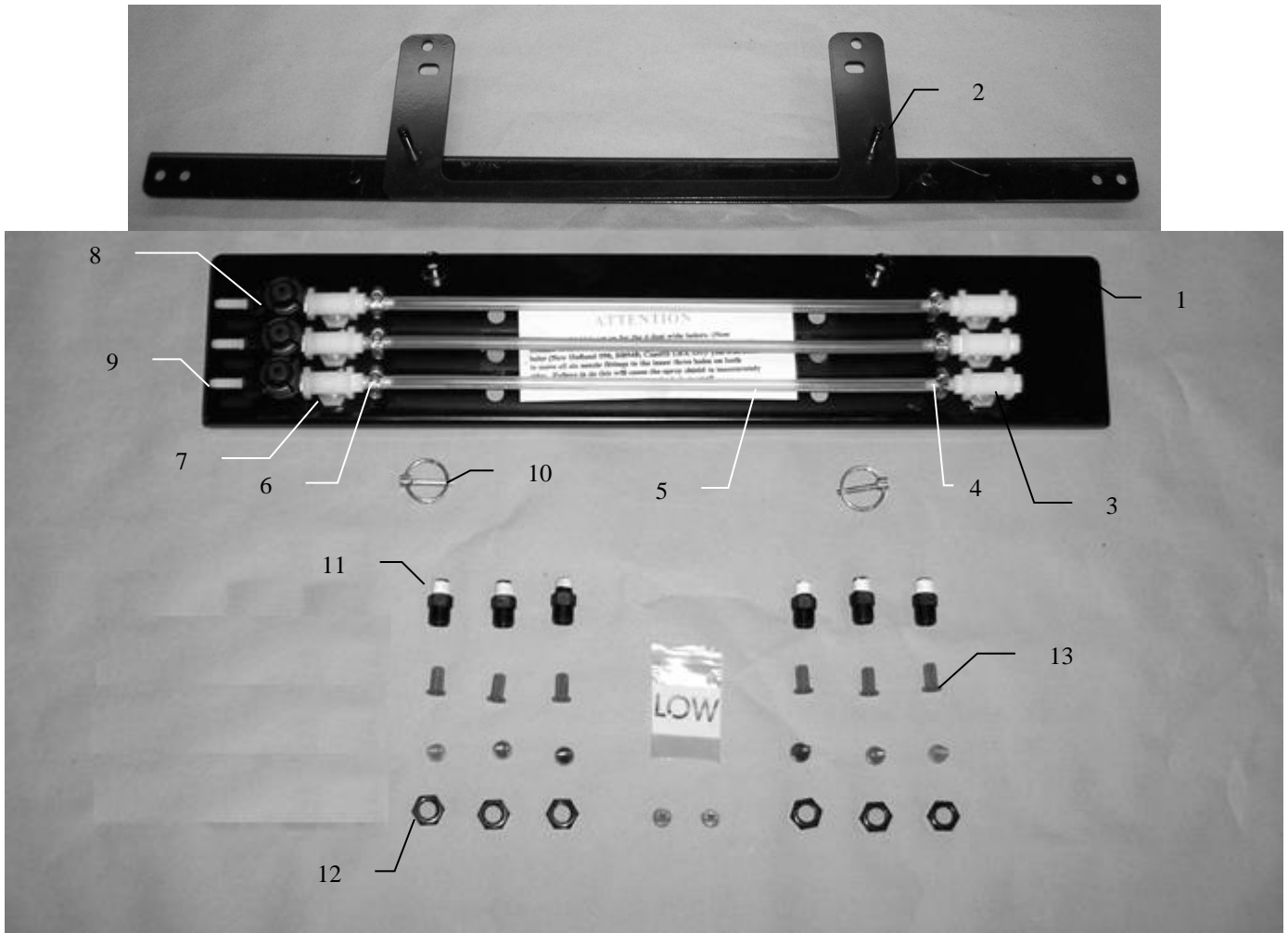
\*iPad mini is a trademark of Apple Inc., registered in the U.S. and other countries.

## 4518B Installation Kit



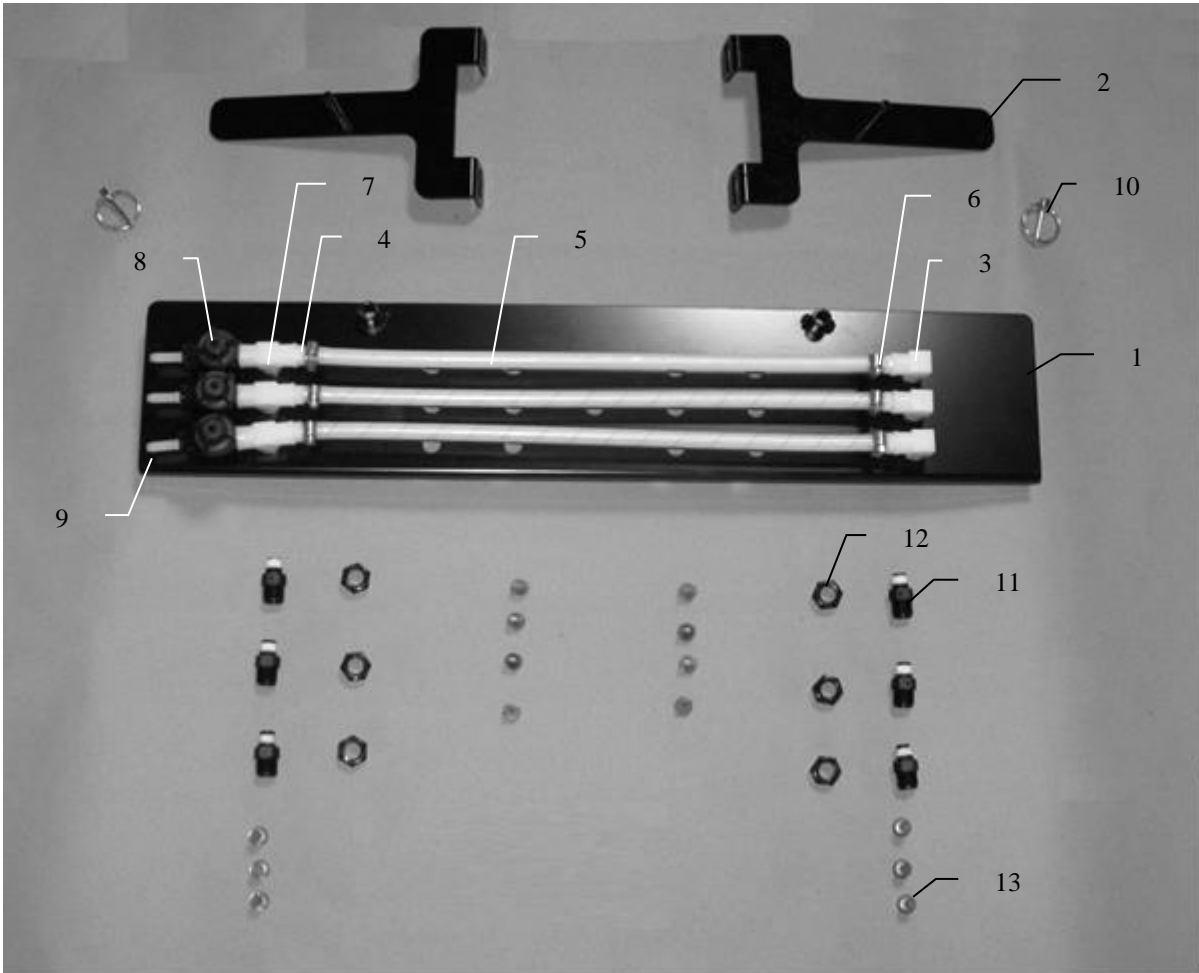
<u>Ref</u>	<u>Description</u>	<u>Part #</u>	<u>Qty</u>	<u>Description</u>	<u>Part #</u>	<u>Qty</u>
1	Spray shield	001-4435ES	1	Tip-Olive Green	004-800067-PT	2
2	Shield holder	001-4435H	2	Tip-Orange	004-TT11001VP	2
3	Elbow	003-SE14F	3	Tip-Green	004-TT110015VP	2
4	Straight fitting	003-A1414	6	Tip-Blue	004-TT11003VP	2
5	Hose	002-9016	6			
6	Hose clamp	003-9002	9			
7	Tee	003-TT14SQ	3			
8	Check valve	004-1207VB	3			
9	Straight fitting	003-A1414VB	3			
10	Lynch pin	008-4576	2			
11	Nozzle body	004-4722	6			
12	Nozzle cap	004-4723	9			
13	Tip strainer	004-1203-100	6			

# 4519B Installation Kit



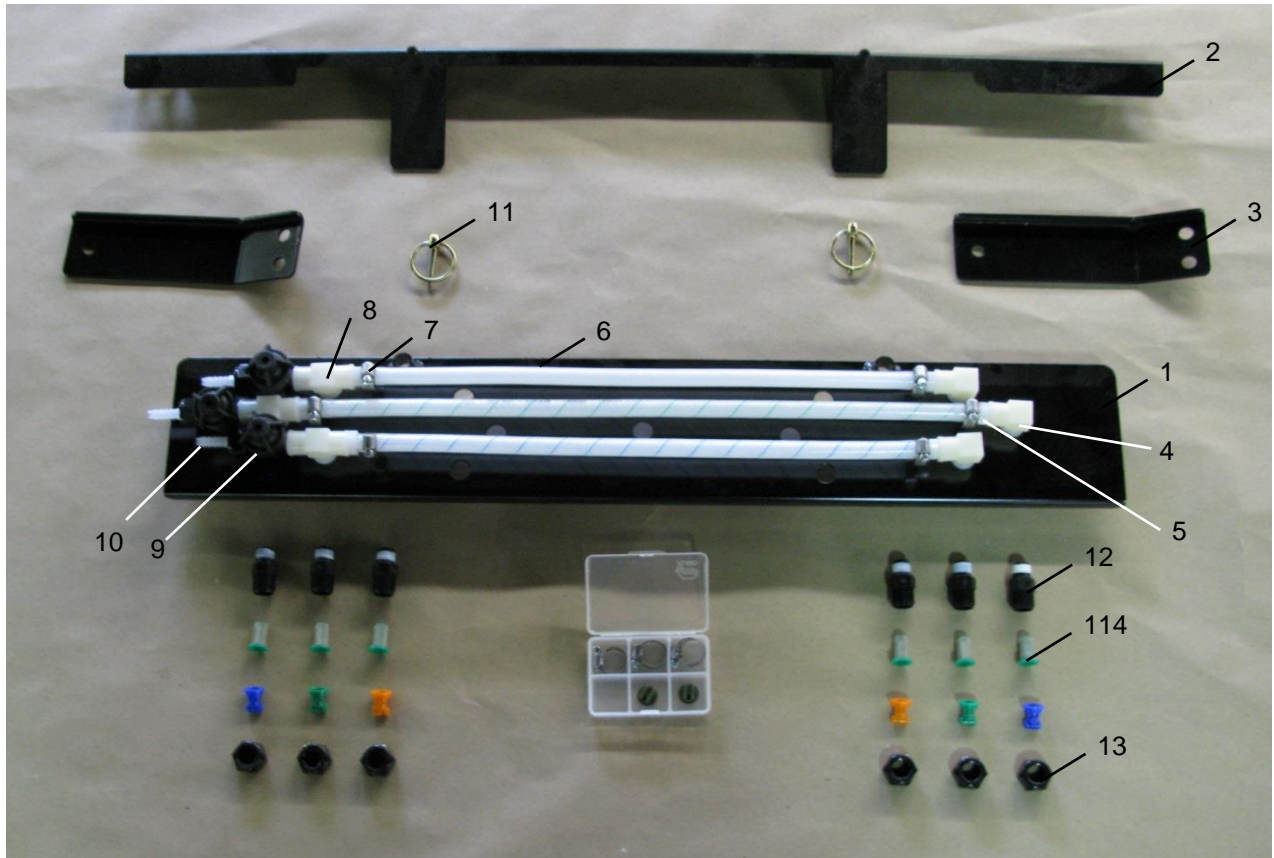
<u>Ref</u>	<u>Description</u>	<u>Part #</u>	<u>Qty</u>	<u>Description</u>	<u>Part #</u>	<u>Qty</u>
1	Spray shield	001-4435AS	1	Tip-Olive Green	004-800067-PT	2
2	Shield holder	001-4435J	1	Tip-Orange	004-TT11001VP	2
3	Elbow	003-SE14F	3	Tip-Green	004-TT110015VP	2
4	Straight fitting	003-A1414	6	Tip-Blue	004-TT11003VP	2
5	Hose	002-9016	6			
6	Hose clamp	003-9002	9			
7	Tee	003-TT14SQ	3			
8	Check valve	004-1207VB	3			
9	Straight fitting	003-A1414VB	3			
10	Lynch pin	008-4576	2			
11	Nozzle body	004-4722	6			
12	Nozzle cap	004-4723	9			
13	Tip strainer	004-1203-100	6			

## 4527B Installation Kit



<u>Ref</u>	<u>Description</u>	<u>Part #</u>	<u>Qty</u>	<u>Description</u>	<u>Part #</u>	<u>Qty</u>
1	Spray shield	001-4435ES	1	Tip-Olive Green	004-800067-PT	2
2	Shield holder	001-4435HPC	2	Tip-Orange	004-TT11001VP	2
3	Elbow	003-SE14F	3	Tip-Green	004-TT110015VP	2
4	Straight fitting	003-A1414	6	Tip-Blue	004-TT11003VP	2
5	Hose	002-9016	6			
6	Hose clamp	003-9002	9			
7	Tee	003-TT14SQ	3			
8	Check valve	004-1207VB	3			
9	Straight fitting	003-A1414VB	3			
10	Lynch pin	008-4576	2			
11	Nozzle body	004-4722	6			
12	Nozzle cap	004-4723	9			
13	Tip strainer	004-1203-100	6			

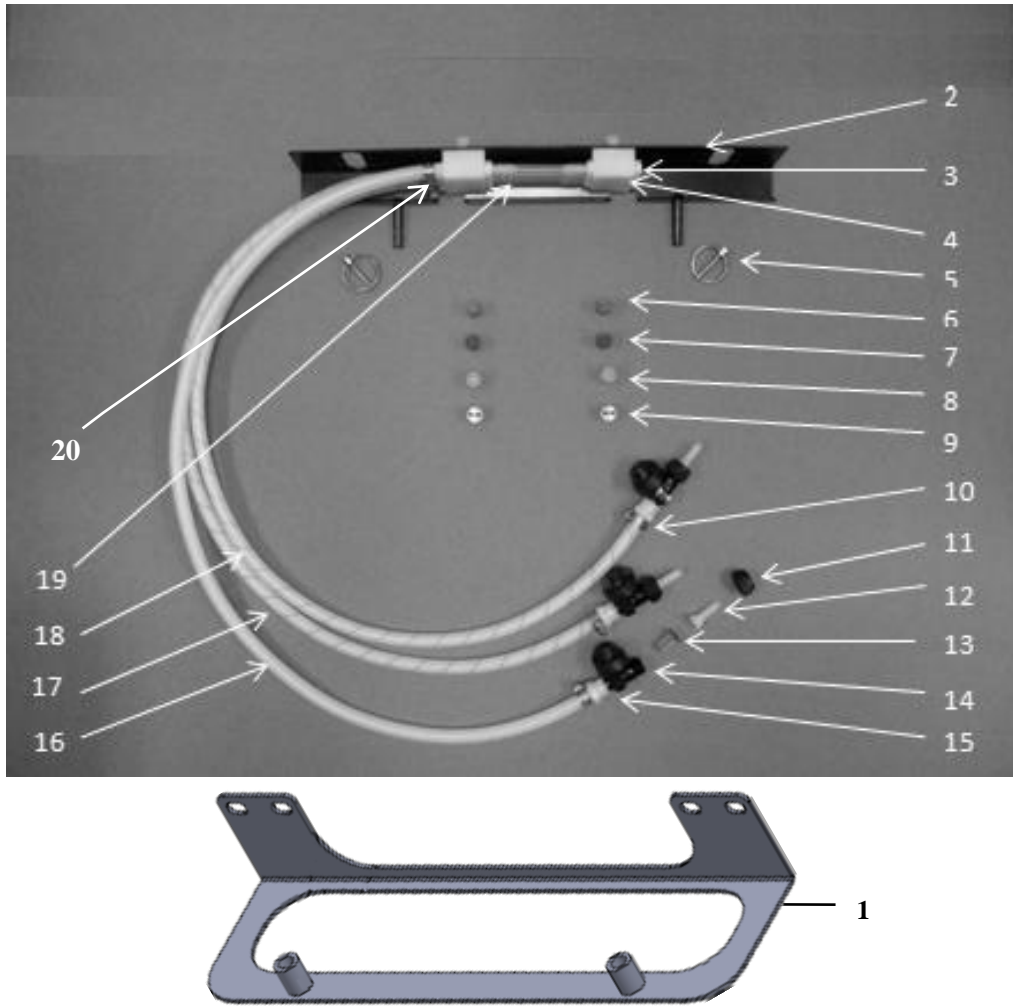
## 4530B Installation Kit



<u>Ref</u>	<u>Description</u>	<u>Part #</u>	<u>Qty</u>	<u>Description</u>	<u>Part #</u>	<u>Qty</u>
1	Spray shield	001-4435AS	1	Tip-Olive Green	004-800067-PT	2
2	Shield holder	001-4435XA	1	Tip-Orange	004-TT11001VP	2
3	Holder bracket	001-4435XB	2	Tip-Green	004-TT110015VP	2
4	Elbow	003-SE14SQ	3	Tip-Blue	004-TT11003VP	2
5	Straight fitting	003-A1414	6			
6	Hose	002-9016	6			
7	Hose clamp	003-9002	9			
8	Tee	003-TT14SQ	3			
9	Check valve	004-1207VB	3			
10	Straight fitting	003-A1414VB	3			
11	Lynch pin	008-4576	2			
12	Nozzle body	004-4722	6			
13	Nozzle cap	004-4723	9			
14	Tip strainer	004-1203-100	6			
NP	Star wheel spacer	001-6707E	2			
NP	Not pictured					

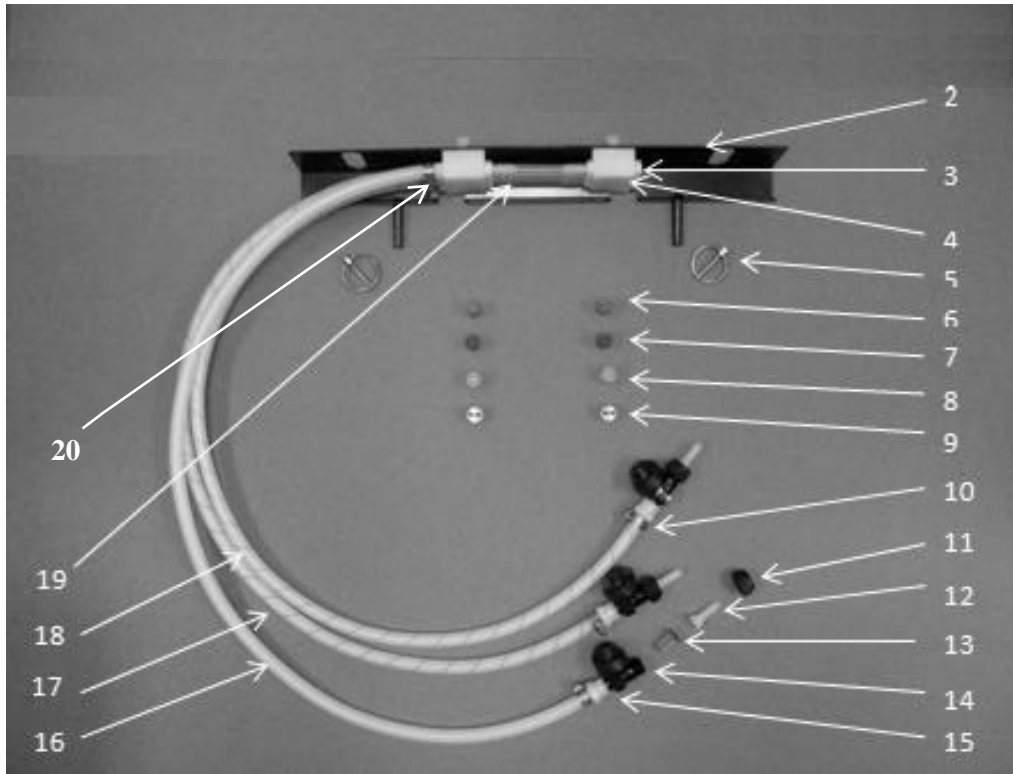


## 4542B Installation Kit



<u>Ref</u>	<u>Description</u>	<u>Part Number</u>	<u>Qty</u>	<u>Ref</u>	<u>Description</u>	<u>Part Number</u>	<u>Qty</u>
1	Holder	001-4435NAX	1	11	Cap	004-4723	3
2	Shield	001-4435NSX	1	12	Fitting	003-A1414VB	3
3	Fitting	003-F14	3	13	Strainer	004-1203-100	3
4	Manifold Block	001-4435NSB	2	14	Check Valve	004-1207VB	3
5	Lynch Pin	008-4576	2	15	Fitting	003-A1414F	3
6	Tip-Red	004-T8003-PT	2	16	Clear Tubing-1/4"	002-9016	3ft
7	Tip-Brown	004-T80015-PT	2	17	Blue Stripe Tubing	002-9016B	3ft
8	Tip-Pink	004-T8001-PT	2	18	Green Stripe Tubing	002-9016G	3ft
9	Tip-Stainless	004-T800067-SS	2	19	EVA-1/4"	002-9006	2ft
10	Hose Clamp	003-9002	15	20	Fitting	003-A1414	9
				NP	Mini Plano Box	008-9001	1
				NP	EOB Bracket	001-4648K	1

## 4544B Installation Kit



<u>Ref</u>	<u>Description</u>	<u>Part Number</u>	<u>Qty</u>	<u>Ref</u>	<u>Description</u>	<u>Part Number</u>	<u>Qty</u>
1	Holder	001-4435U	1	11	Cap	004-4723	3
2	Shield	001-4435NSX	1	12	Fitting	003-A1414VB	3
3	Fitting	003-F14	3	13	Strainer	004-1203-100	3
4	Manifold Block	001-4435NSB	2	14	Check Valve	004-1207VB	3
5	Lynch Pin	008-4576	2	15	Fitting	003-A1414F	3
6	Tip-Red	004-T8003-PT	2	16	Clear Tubing-1/4"	002-9016	3ft
7	Tip-Brown	004-T80015-PT	2	17	Blue Stripe Tubing	002-9016B	3ft
8	Tip-Pink	004-T8001-PT	2	18	Green Stripe Tubing	002-9016G	3ft
9	Tip-Stainless	004-T800067-SS	2	19	EVA-1/4"	002-9006	1ft
10	Hose Clamp	003-9002	15	20	Fitting	003-A1414	9
				NP	Mini Plano Box	008-9001	1

## **Harvest Tec Inc. Warranty and Liability Agreement**

Harvest Tec, Inc. will repair or replace components that are found to be defective within 12 months from the date of manufacture. Under no circumstances does this warranty cover any components which in the opinion of Harvest Tec, Inc. have been subjected to negligent use, misuse, alteration, accident, or if repairs have been made with parts other than those manufactured and obtainable from Harvest Tec, Inc.

Our obligation under this warranty is limited to repairing or replacing free of charge to the original purchaser any part that in our judgment shows evidence of defective or improper workmanship, provided the part is returned to Harvest Tec, Inc. within 30 days of the failure. If it is determined that a non-Harvest Tec branded hay preservative has been used inside the Harvest Tec applicator system where the failure occurred, then Harvest Tec reserves the right to deny the warranty request at their discretion. Parts must be returned through the selling dealer and distributor, transportation charges prepaid.

This warranty shall not be interpreted to render Harvest Tec, Inc. liable for injury or damages of any kind, direct, consequential, or contingent, to persons or property. Furthermore, this warranty does not extend to loss of crop, losses caused by delays or any expense prospective profits or for any other reason. Harvest Tec, Inc. shall not be liable for any recovery greater in amount than the cost or repair of defects in workmanship.

There are no warranties, either expressed or implied, of merchantability or fitness for particular purpose intended or fitness for any other reason.

This warranty cannot guarantee that existing conditions beyond the control of Harvest Tec, Inc. will not affect our ability to obtain materials or manufacture necessary replacement parts.

Harvest Tec, Inc. reserves the right to make design changes, improve design, or change specifications, at any time without any contingent obligation to purchasers of machines and parts previously sold.

Revised 4/17

**HARVEST TEC, INC.**  
**P.O. BOX 63**  
**2821 HARVEY STREET**  
**HUDSON, WI 54016**  
PHONE: 715-386-9100  
1-800-635-7468  
FAX: 715-381-1792  
Email: [info@harvesttec.com](mailto:info@harvesttec.com)