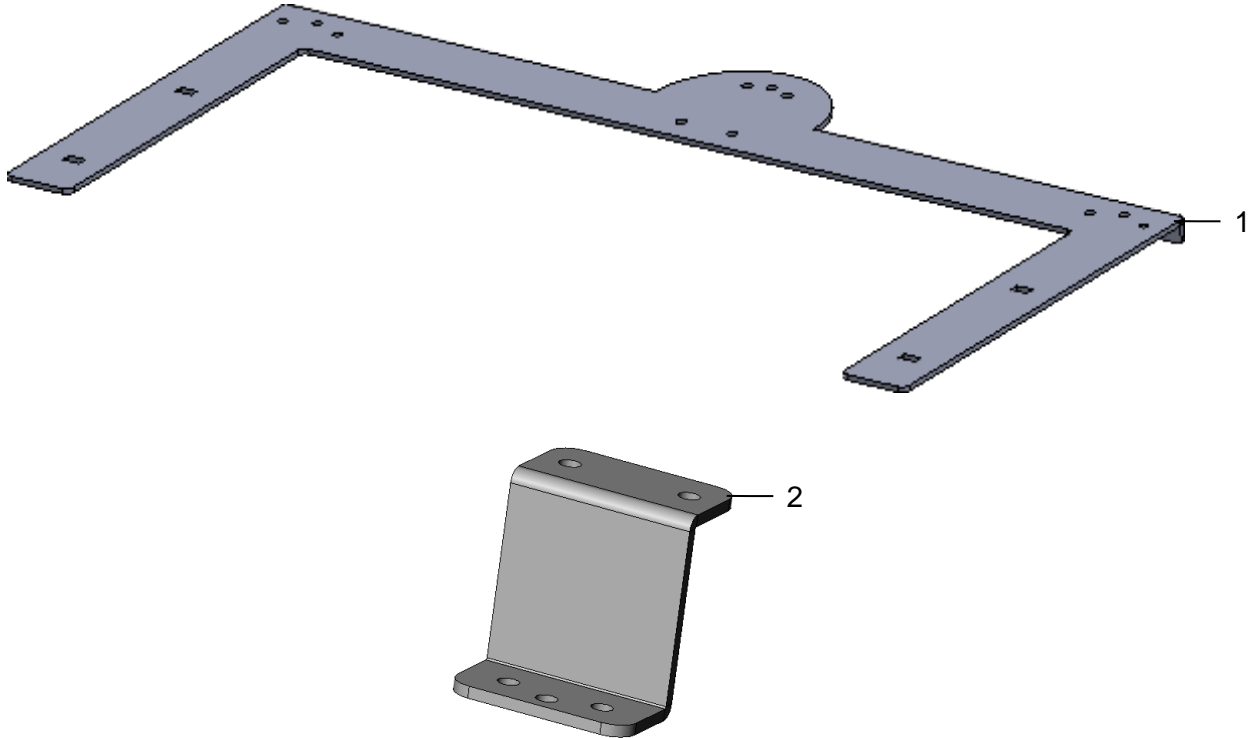


## Optional Rear Light/Camera Brackets



<u>Ref</u>	<u>Description</u>	<u>Part #</u>	<u>Qty</u>
1	Rear Mounting Handrail	001-6707PM	1
2	Camera Mount Bracket	001-6707PMZ	1
NP	Light Extension Harness	006-7303LTX	1

### Optional Rear Light Camera Brackets (not included)

There is now an optional rear light extension bracket available for the NH330+ & NH340+ and LB334XL & 434XL baler models. To reposition the lights, camera and beacon light to the back of the preservative tank (Fig 4).

Install the camera/light bracket (001-6707PM) as shown on the right by lining up two holes in the arms of the bracket with the holes on the tank straps. Using the supplied elevator bolts install the bolt with the head on the tank side with threads pointing upward.

Install the camera mounting brackets (001-6707PMZ) to the camera light bracket as shown on right. Move the lights and camera as needed using the light extension harness (006-7303LTX).

#### Note:

The straps will need to be loosened to allow room for placement of the bolts. Retighten after bolts are installed.

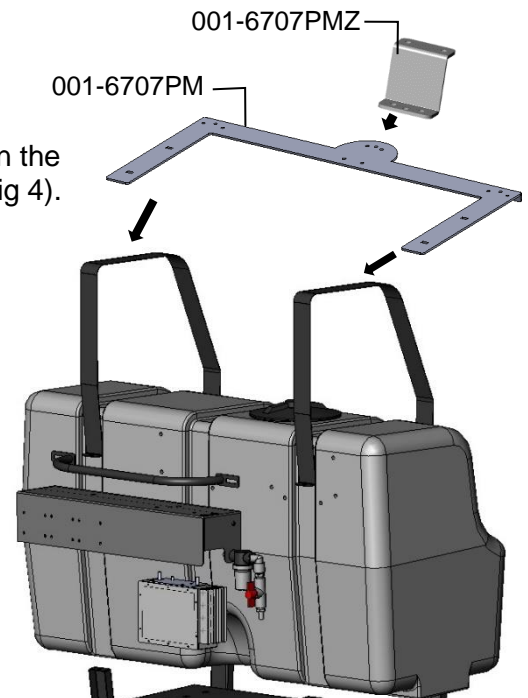


Figure 4