

Installation Manual

Model 796M

110 Gallon Preservative Applicator



HayBoss[®]

DECLARATION OF INCORPORATION



MANUFACTURER: Harvest Tec Inc.
2821 Harvey St.
P.O. Box 63
Hudson, WI 54016, U.S.A.

REPRESENTATIVE ESTABLISHED IN COMMUNITY: Profitable Farming Company
Middle Barlington, Roborough
Winkleigh, Devon, EX19 8AG
ENGLAND

The person above certifies and declares that:

VIRTUAL MACHINE: Equipment mounted on a farm press and for the application of inoculants onto forage crops.

MODEL: 796A-INST-21-Imp&Metric

BRAND: Harvest Tec

SERIAL NUMBER:

This application preservatives for hay Harvest Tec system meets the Directive 2006/42/EC of the European Parliament and the Council of 17 May 2006 and other applicable European Directives including Directive 2004/108/EC on the Electromagnetic compatibility.

The application of preservatives for hay Harvest Tec system will be turned on after being installed on a farm press has been declared in conformity with the Machinery Directive.

Person in the community authorized to provide information on the partly completed machinery and making this statement:

Richard Snell, President, Profitable Farming Company
Signed on May 21, 2011: Middle Barlington, Roborough
Winkleigh, Devon, EX19 8AG
ENGLAND

Table of Contents

	<u>Page</u>
Introduction	4-5
System Overview	5
Installation of Applicator	6-17
Installation of Tank	6-7
Installation of Pump Plate	8
Installation of Drain/Fill Line	9
Installation of Spray Shield	10-12
Installation Kit 4518C & 4519C	10
Installation Kit 4527C & 4530C	11
Installation Kit 4542C & 4544C	12
Mounting Solenoids and Hose Routing	13
Main Wire Harness and Baler Interface Harness Routing	14
Installation of Star Wheels	15-16
Installation End of Bale Sensor	17
Tractor Setup	18
Display Installations	19-26
Harvest Tec Display	19
Tablet Display	19
Baler Display	20-26
Wiring Diagram	27
Pin Outs	28-30
Parts Breakdown	31-39
Tank, Saddle and Saddle Legs	31
Pump Manifold	32
Star Wheel Moisture Sensor	33
Control Boxes and Wiring Harnesses	34
Solenoid Package	35
Hose and Drain / Fill Line	36
Optional iPad Mini Mounting Kit	37
Optional iPad Display Kit	38
Optional Harvest Tec Display Kit	39
Install Kits	40-45
4518C Install Kit	40
4519C Install Kit	41
4527C Install Kit	42
4530C Install Kit	43
4542C Install Kit	44
4544C Install Kit	45
Notes	46

Introduction

Thank you for purchasing the 700 Series HayBoss Preservative Applicator. This applicator system has been designed to be operated through a number of different displays and tablets using the Precision Baling App. These include, the Harvest Tec display, the baler's ISOBUS and display on the baler monitor, or iOS/Android Tablet (not included).

The 700 Series Preservative Applicator System is designed to apply AGCO buffered propionic acid to the forage crop as it is baled. Failure to follow instructions can result in personal injury or equipment malfunction. If you need parts for the system, please view the Parts Breakdown toward the back of this manual and contact your local authorized dealer to order the parts.

Right and Left sides are determined by facing in the direction of forward travel.

System Requirements

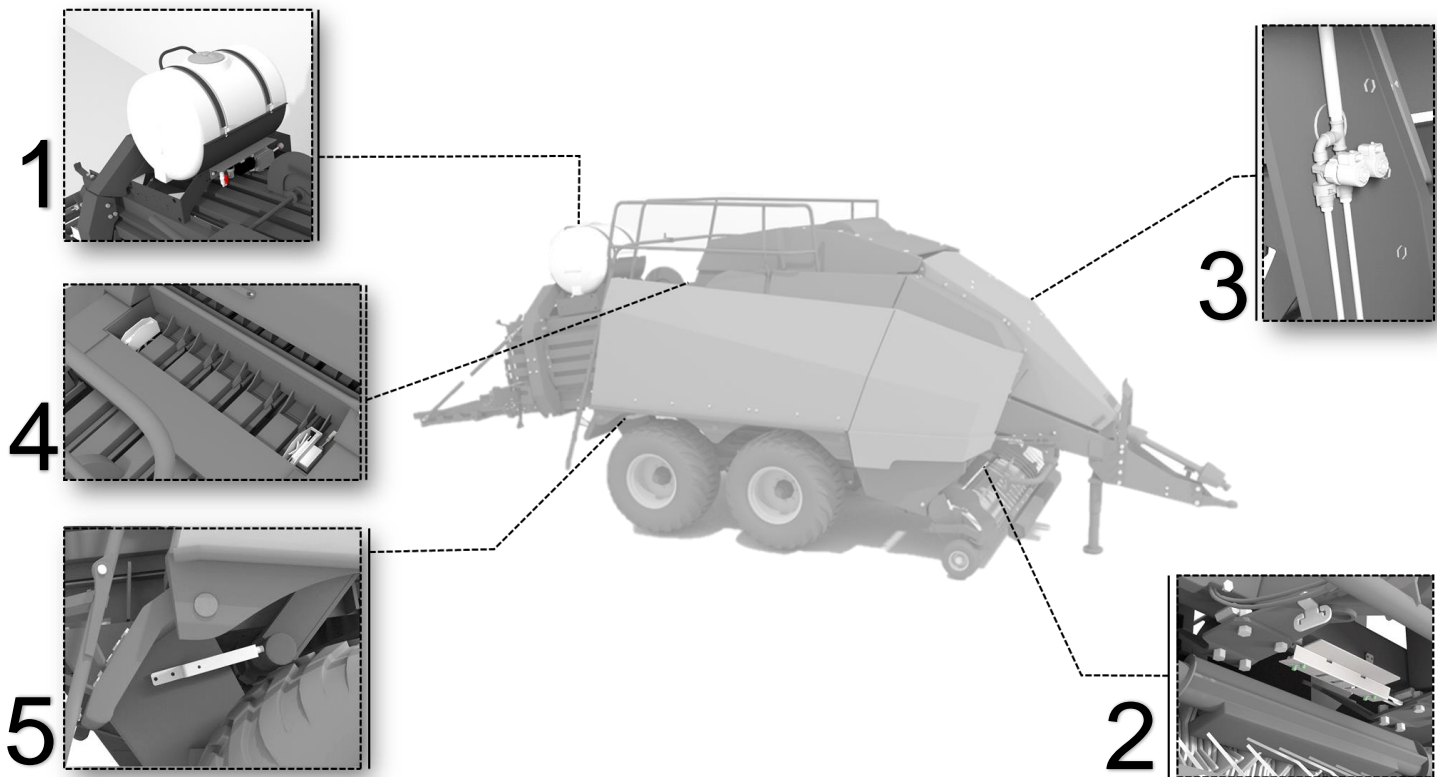


C1000 must have version 3.0.1 or higher



Made for Harvest Tec Display, Baler Integration, or Tablet
For best performance ensure all displays are running the latest operating system

System Overview



The 700 series applicator system consists of five main areas of installation, these include:

- 1) Tank Mounting Installation
- 2) Spray Shield Installation
- 3) Solenoid Installation
- 4) Star Wheel Installation
- 5) End of Bale Installation

Tank, Saddle, and Pump Installation

This will mount on the bale chute towards the rear of the baler. All mounting and parts should be verified prior to beginning installation. Follow *Installation of Pump Manifold and Saddle* section for step-by-step instruction.

Spray Shield Installation

The spray shield assembly is designed to spray the hay evenly as the baler picks it up. This holds the tips and is connected to plumbing to apply preservative as precisely as possible. Follow the *Spray Shield Installation* section for sketches of the spray shield nozzle holders and step-by-step instruction.

Solenoid Installation

The dual solenoid setup is to be mounted as close to the spray shield as possible. This will provide the best result to ensure the proper output of preservative is applied through the nozzles. View *Spray Shield installation* section for instructions of solenoid mounting.

Star Wheel Installation

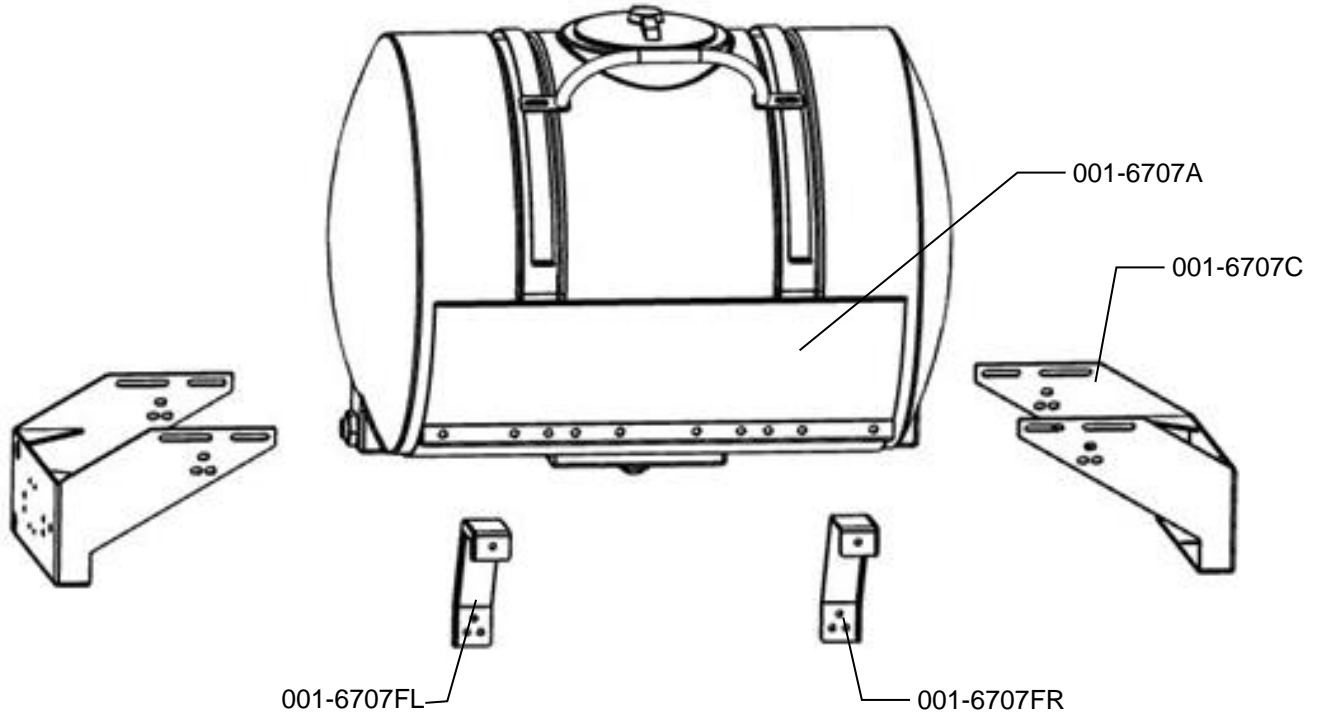
This is the moisture setup for the applicator system, installation will be done on top of the bale chamber so the star wheels can make sufficient contact with the bale. Follow *Star Wheel Mounting* sections for step-by-step instruction.

End of Bale Installation

The end of bale sensor determines the position of the needles on the baler. When the needles cycle the sensor communicates this information to the 700 series. Installation of this sensor is required for use with the Harvest Tec Virtual Terminal. Follow *End of Bale Sensor Installation* section for step-by-step guide.

Installation of Applicator

Installation of Saddle & Pump Mounts



3 X 3 balers only

Locate parts bag 2. Install both saddle legs (001-6707C) onto the saddle (001-6707A) with eight 3/8" x 1-1/4" bolts, locks, and flat washers. Note: the slots in the legs will attach to the second and fourth weld nuts in from each end, of the saddle, on both sides.

1. Once legs and saddle are loosely attached measure the distance from the top outside corners of the bale chamber where the saddle will be attached. Move legs in or out so the outside edges will match this dimension. Also try to center the saddle within these dimensions. Do not fully tighten bolts until mounted on the baler
2. Locate parts bag 6. Mount the pump plate mounting brackets (001-6707FL / 001-6707FR) to the saddle legs using three 3/8" x 1" bolts, locks, flats, and nuts. Note: this will be the side that is opposite of the "V" notch that is in the sump cut out of the saddle

For 3 X 4 and 4 x 4 balers only

Locate parts bag 2. Install both saddle legs (001-6707C) onto the saddle (001-6707A) with eight 3/8" x 1-1/4" Bolts, locks, and flat washers. Note: the slots in the legs will attach to the first and second weld nuts in from each end, of the saddle, on both sides.

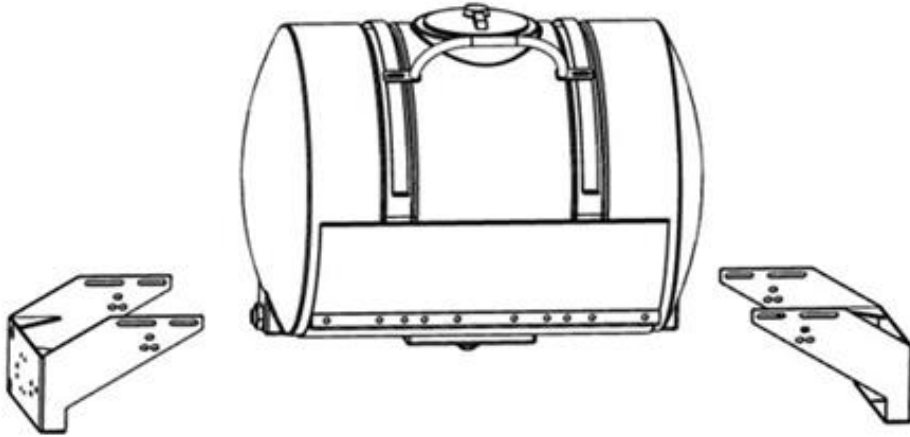
1. Once legs and saddle are loosely attached measure the distance from the top outside corners of the bale chamber where the saddle will be attached. Move legs in or out so the outside edges will match this dimension. Also try to center the saddle within these dimensions. Do not fully tighten down bolts until mounted on the baler.
2. Locate parts bag 6. Mount the pump plate mounting brackets (001-6707FL / 001-6707FR) to the saddle legs using three 3/8" x 1" bolts, locks, flats, and nuts. Note: this will be the side that is opposite of the "V" notch that is in the sump cut out of the saddle

Installation of Tank – Non UHD Balers

Tank Mounting

Locate parts bag 2. Mount the tank legs and saddle on the baler as shown below, just behind the compression arm. The tank legs bolt to the baler with six 1/2" x 1-3/4" carriage head bolts, lock, flat washers, and hex nuts. The bolts should be inserted from inside the baler.

The saddle is intentionally tipped forward by 5° so that the tank cap will be parallel to the ground. There is a small cut out "V" where the tank sump fits in the saddle and this cut out should face the back of the baler for the tank to be level when installed on the baler.

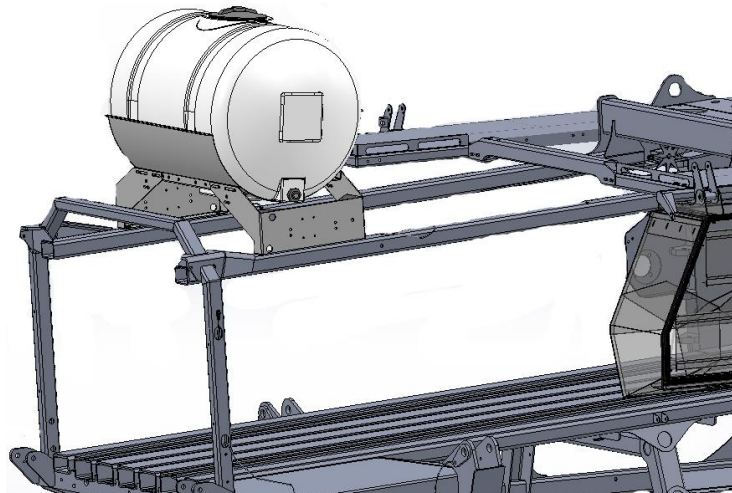


Installation of Tank – UHD Baler

Tank Mounting

Locate parts bag 2. Mount the tank legs on top of the rectangular tubing as displayed below. There are 3 access holes/side where 1/2" hex bolts can be inserted and held in place as they go through the top of the tube and the leg. IE hole in top of tube is 9/16" (14mm) diameter hole in bottom is 1-1/4" (big enough for socket to hold hex head of bolt).

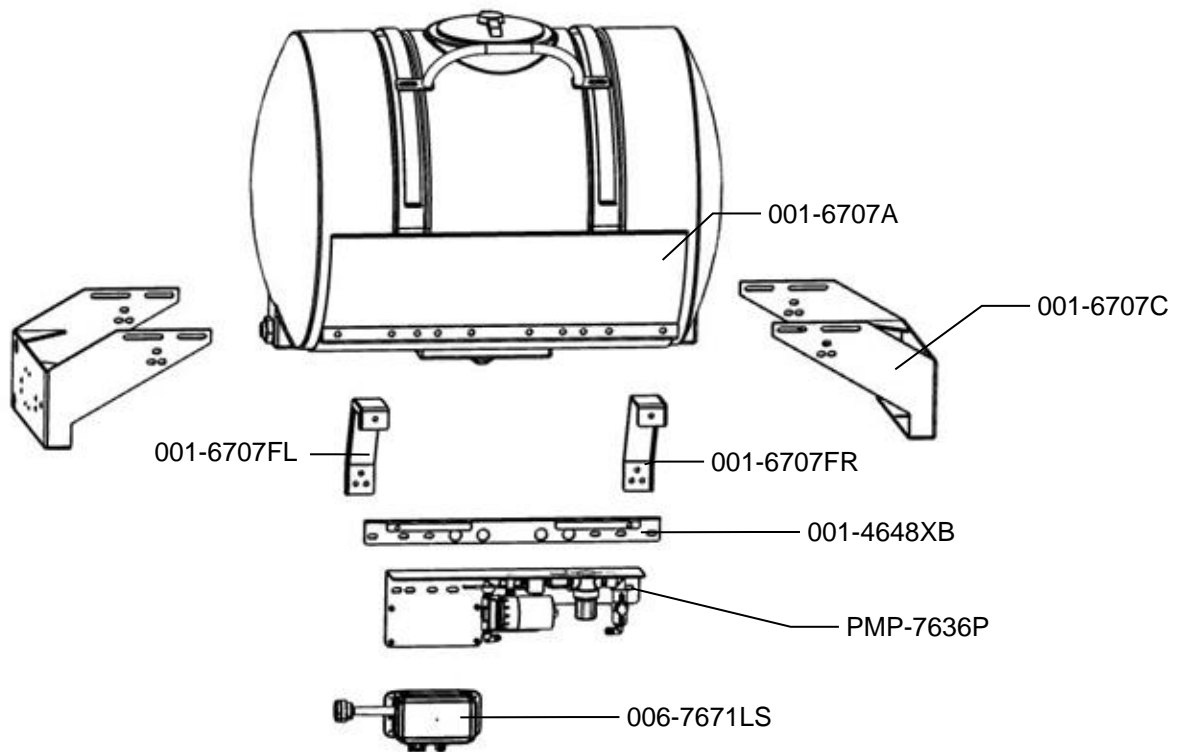
The saddle is intentionally tipped forward by 5° so that the tank cap will be parallel to the ground. There is a small cut out "V" where the tank sump fits in the saddle and this cut out should face the back of the baler for the tank to be level when installed on the baler.



Attach Pump Plate to Tank Saddle – Non UHD Balers

1. Attach (001-4648XB) Bracket to pump plate brackets (001-6707FL/FR) with remaining hardware from #6 parts bag.
2. Connect control (006-7671LS) to pump plate (PMP-7636P) with four 10/32" x 5/8" Philips flat head screws and NY lock nuts.
3. Attach pump plate assembly (PMP-7636P) to bracket (001-4648XB) with two 3/8" x 3/4" flange bolts and nuts.

Note: Pressure washing the pump plate can lead to water damage internally of the ISO Pump Module (IPM).

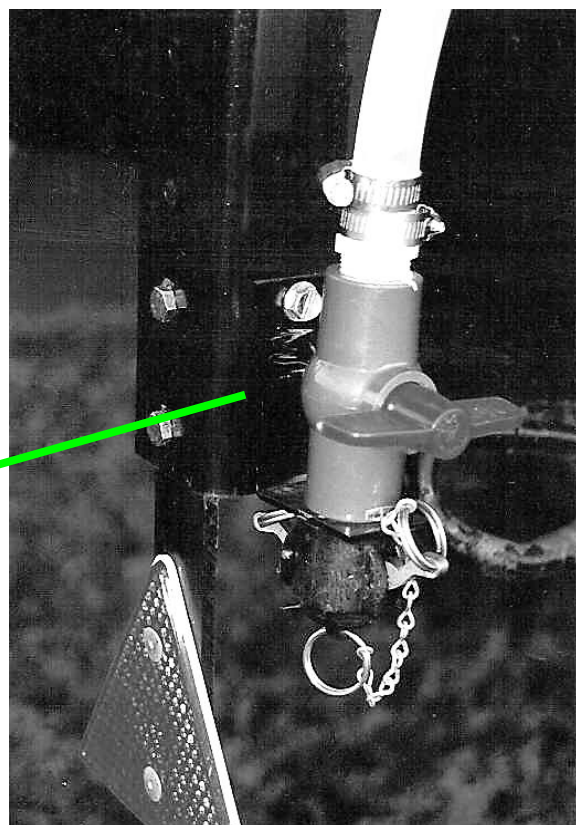
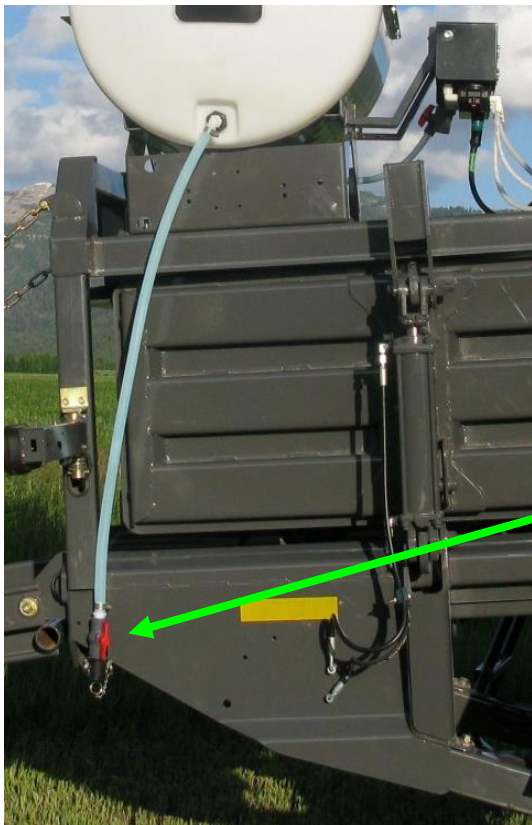


Attach Pump Plate to Tank Saddle – UHD Balers

1. Attach UHD pump mounts (001-4648U) to beam in front balers metering star wheel. The Balers handrail mounts to this beam also.
2. Use supplied 1/2" hardware to mount both brackets to beam. Long leg of (h) should be facing knotters. Do not fully tighten down hardware.
3. Slide brackets apart so top mounting holes in (001-4648H) line up with holes in PMP-7636P pump shield.
4. Use 3/8" x 3/4" Flange bolts and Flange nut to secure together.
5. Tighten down all hardware.

Installation of the Drain & Fill Line

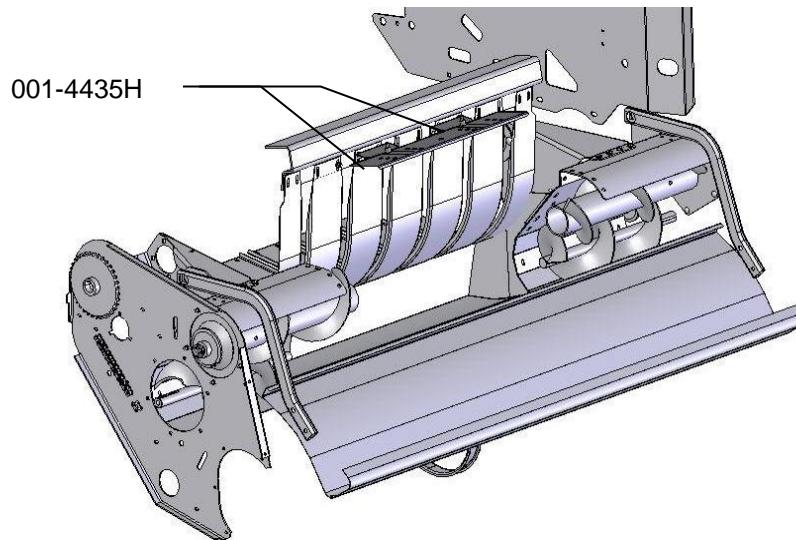
- A. Locate parts bag 1.
- B. Thread 3/4" elbow fitting into end of tank.
- C. Run hose from the elbow down the frame to the bottom of the baler.
- D. Drill 1/4" (7mm) holes to accept the valve holder bracket and use 5/16" x 1" self-tapping screws.
- E. Connect valve assembly to other end of hose. Place hose clamps on both ends.
- F. Secure hose to frame using cable locks.
- G. Install supplied safety decals (DCL-8001 & DCL-8005) next to the ball valve assembly.



Installation of Spray Shield

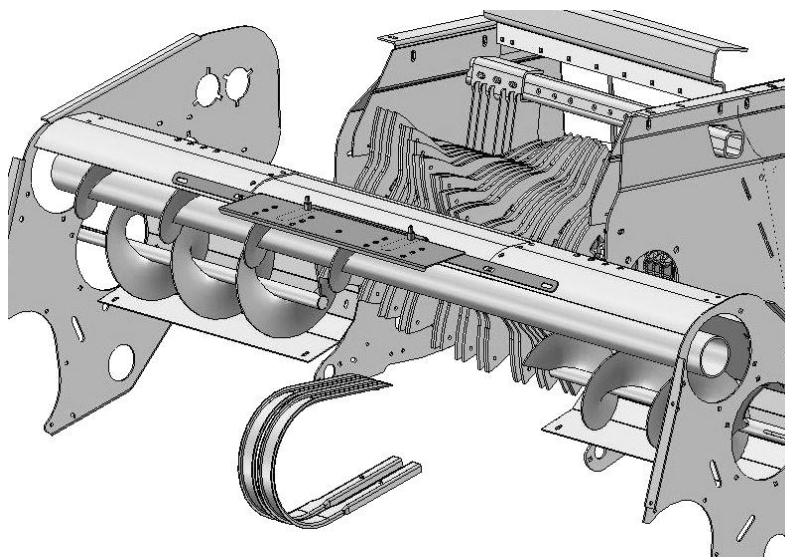
The spray shield assembly is designed to spray the hay evenly as the baler picks it up. Sketches of the spray shield nozzle holders are shown below.

Installation of Spray Shield Kit 4518C



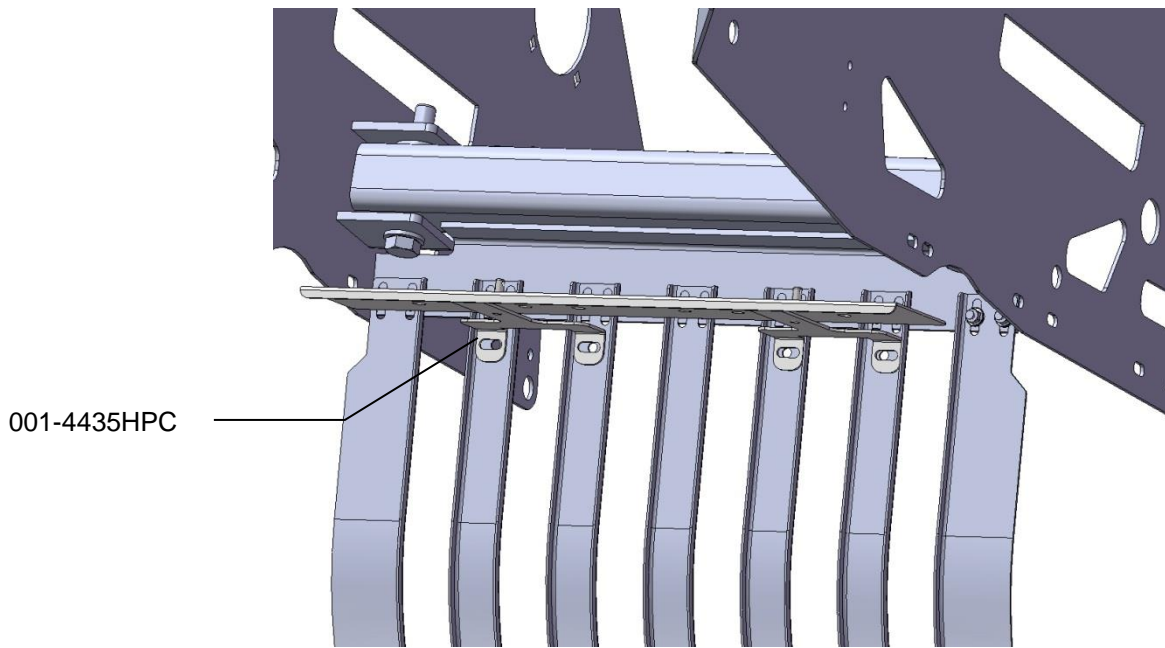
Remove the four bolts attached to the wrapper stripper plates as shown above. Replace with the four supplied $3/8$ " x $1-1/4$ " carriage bolts, nuts, locks, and flat washers. Mount the spray shield holders (001-4435H) and loosely tighten down hardware. Install spray shield and secure with the two supplied lynch pins. Tighten all hardware. Use the inside slots on 3x3 balers and the outside slots on 3x4 and 4x4 balers.

Installation of Spray Shield Kit 4519C



Locate bottom hole on each side of center insert over top auger and bolt spray shield and mounting bracket into place using the $3/8$ " x $1-1/4$ " carriage bolts, nuts, locks, and flat washers. Use the inside slots on 3x3 balers and the outside slots on 3x4 and 4x4 balers.

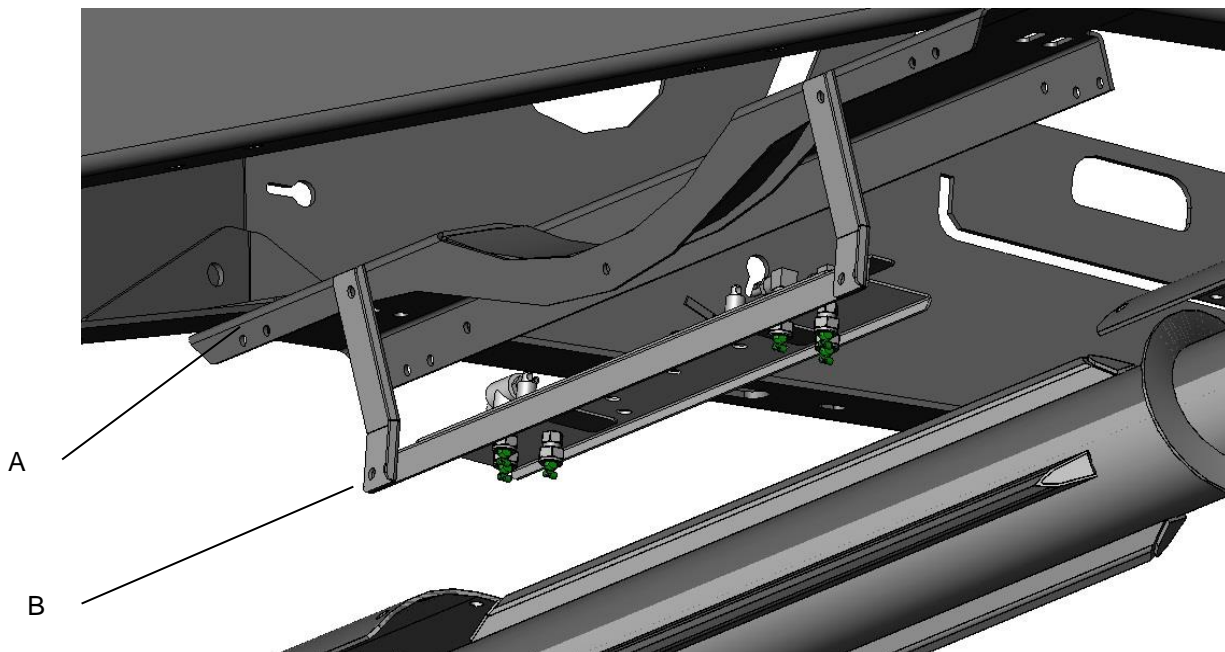
Installation of Spray Shield Kit 4527C



Mount the two spray shield mounting brackets (001-4435HPC) to the baler as shown above. Attach using four $\frac{3}{8}$ " x $1\frac{1}{4}$ " bolts, flats, locks, and nuts. Mount the spray shield (001-4435ES) on top of the mounting brackets and secure with two lynch pins. Use the inside slots on 3x3 balers and outside slots on 3x4 and 4x4 balers.

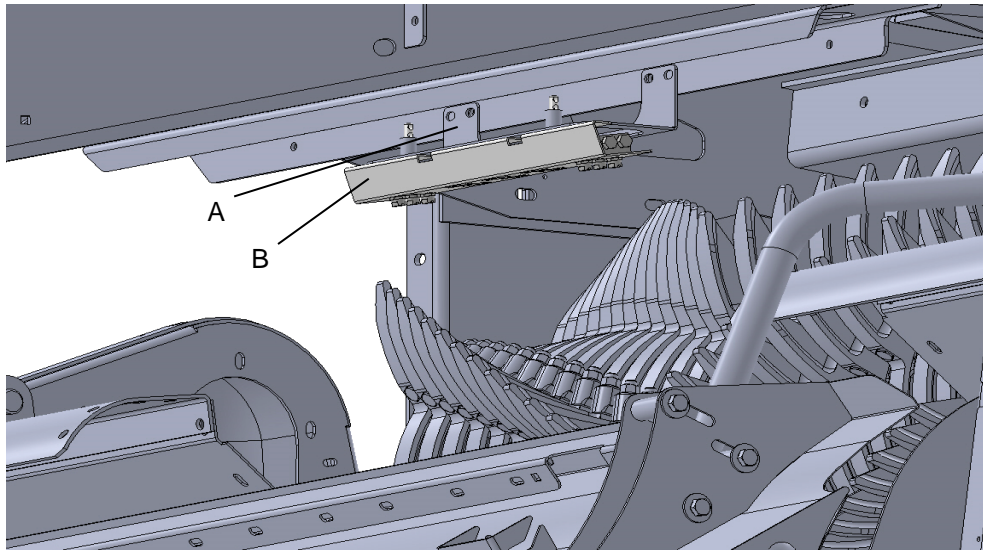
Installation of Spray Shield Kit 4530C

Locate the two bolts shown in figure A directly below the baler's flywheel. Connect the two mounting brackets (001-4435XB) to figure A using the existing hardware. Connect the mounting brackets to the shield holder (001-4435XA) using four $\frac{3}{8}$ " x 1" hex bolts, lock washers, and hex nuts. Install the spray shield assembly (001-4435AS) and secure with two supplied lynch pins.



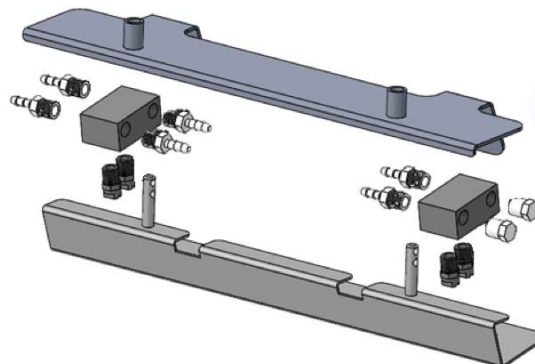
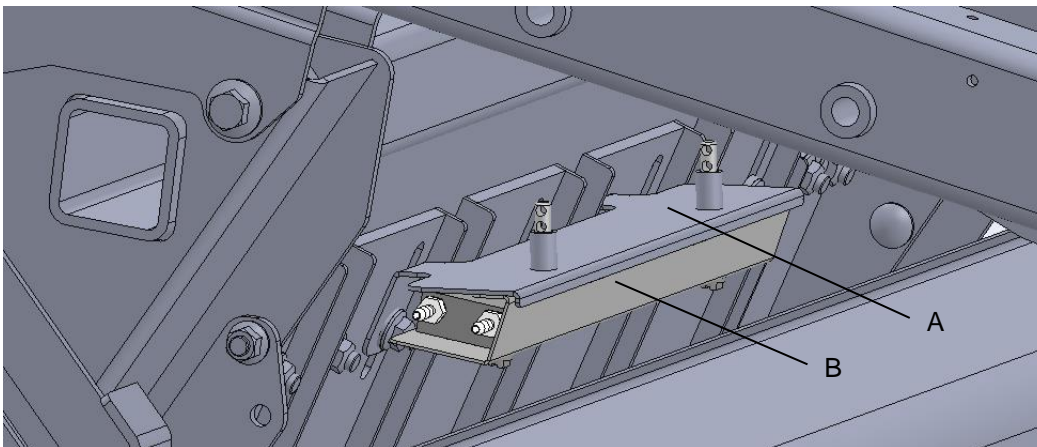
Installation of Spray Shield Kit 4542C

Locate the baler cross support bar below the baler's flywheel. Connect the mounting bracket (001-4435NAX) as shown in figure A. Connect the mounting bracket to baler using two 3/8" x 1 1/4" hex bolts, lock washers, and hex nuts. Install the spray shield assembly (001-4435NSX) as shown in figure B and secure with supplied lynch pins.



Installation of Spray Shield Kit 4544C

Locate the UHD spray shield holder (001-4435U). Connect the bracket to the wrapper extensions baler centered above the pickup as shown below (figure A) existing hardware, figure B. Connect the spray shield (001-4435NSX) and secure with two lynch pins (008-4576).



Mounting Solenoids and Hose Routing to Spray Shield



- A. Once spray shield is mounted, ensure solenoids 002-2203F are mounted using the solenoid mount plate 001-4648DSH as closely as possible (max distance 3ft) to the spray shield. This will ensure the most precise application of the preservative.



Solenoids 002-2203F



Solenoid Mount
001-4648DSH



Solenoid Harness
006-3650-S1

- B. Once solenoids are mounted, streamline solenoid harness 006-3650-S1 along baler back to connection on main baler harness 006-765B . Solenoid with white dot attaches to SOL 1 and Solenoid with blue dot attaches to SOL 2. Connect harnesses and ensure they are secure.
- C. Route hoses along the path or similar inside of the baler, as shown in picture above. Keep hoses away from moving parts and hydraulic hoses. When all connections are made to the tank, solenoids, and spray shield secure with existing cable clamps or use cable ties.
- D. Connect hoses from spray shield to solenoids. Note: Make sure solenoid with white dot attaches to spray shield with white dot. Follow same procedure for Blue dot.

Main Wire Harness and Baler Interface Harness Routing and Connections



A. Route harness 006-765B along this path or similar inside of the baler. Keep harnesses away from moving parts and hydraulic hoses. Secure with existing cable clamps or use cable ties. When all connections are made to the IPM secure wires as shown above.



B. Under the chamber locate the Active Terminator from the end of the baler harness. It is located beneath the right rear corner of the baler frame. Attach Baler Interface Harness (006-765VA) to that location. Reconnect Active Terminator to open port of that same harness (006-765VA). If your baler does not have a Terminator at this location, please call Harvest Tec.

If your baler has the White Terminating Resistor you will need to attach the Pre 2012 AGCO Integration Harness (006-6650VAX) to the end of the Baler Interface harness (006-765VA). Please contact Harvest Tec for this harness. This style terminator may be next to the Baler's Main Processor.



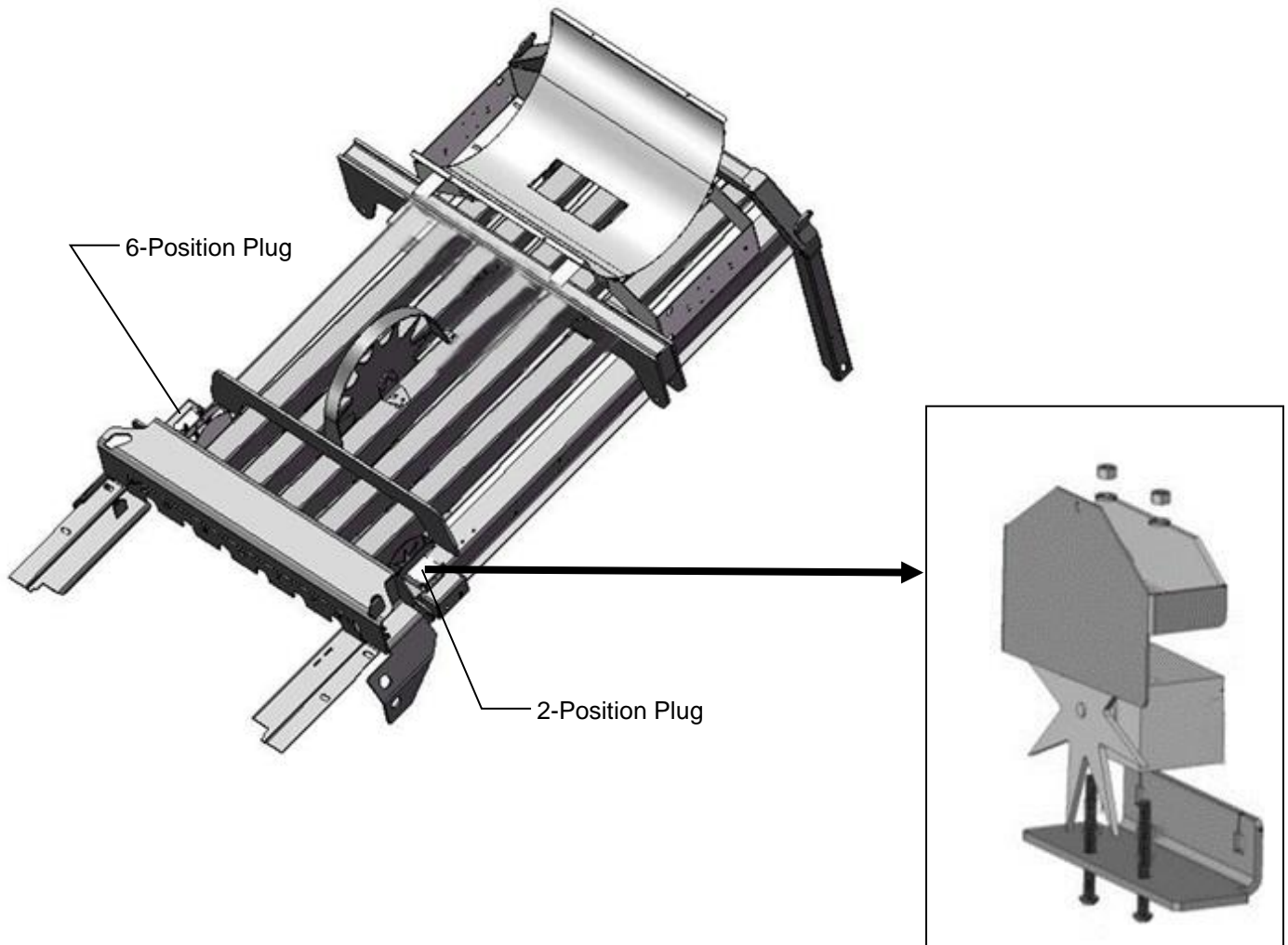
UHD Baler ISOBUS Integration Connection

Beneath the right rear chamber locate the harness labeled (LHR-C72 ISOBUS Term). It is located at the right rear corner of the baler frame. Attach Baler Interface Harness (006-765VA) to that location

Star Wheel Mounting – Non-UHD Balers

Locate parts bag E and mount star wheels on top of the baler, just behind the knotters and under the walkway on both sides. The notch and holes for the star wheel are precut, secure the star wheels with 5/16" x 3" BHCS (x2 each side) from the bottom. Blocks are dropped down on the bolts and secured in place with the star wheel twine guards (001-4645, 001-4644). Verify that star wheels align with bale chamber before tightening down all hardware. Connect star wheel harness (006-7307EM2) to the star wheels and route back to pump plate. Attach to square plug on bottom of IPM control module.

Note: Star wheel with six-position plug needs to turn in the same directions as arrow diagram on the back cover. Also twine diverter with two extra holes attaches to star wheel with 6 position plug.

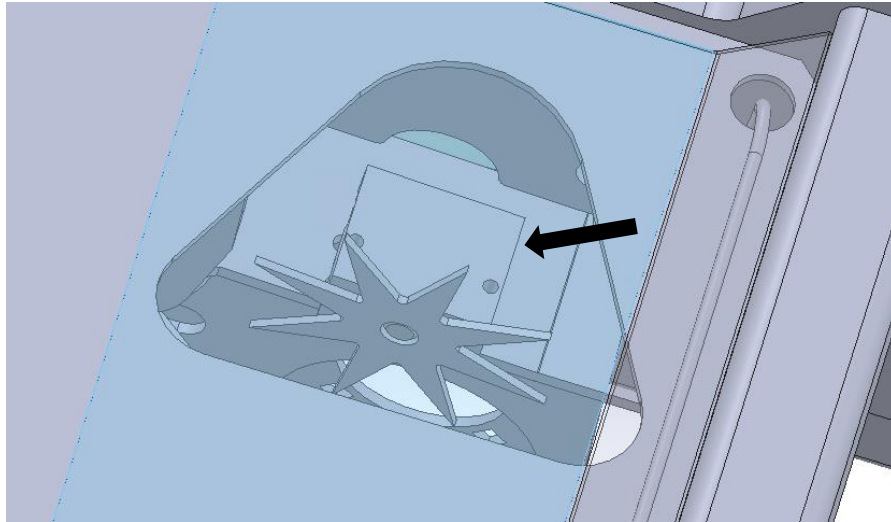


Star Wheel Mounting – UHD Balers

Locate parts bag E. The star wheels are to be mounted on top of the baler, just behind the knotters and under the walkway on both sides. The holes for the star wheel are precut. Remove the plate on top of the catwalk covering the triangle shaped access cutout. Place star wheel over the predrilled holes on both sides of the bale chamber, (shown below).

Secure the star wheels with 5/16" x 3" BHCS (x2 each side) from the bottom side. Blocks are dropped down on the bolts and secured in place with the star wheel twine guards (001-4645, 001-4644). Connect star wheel harness (006-7307EM2) to the star wheels and route back to pump plate. Attach to square plug on bottom of IPM control module.

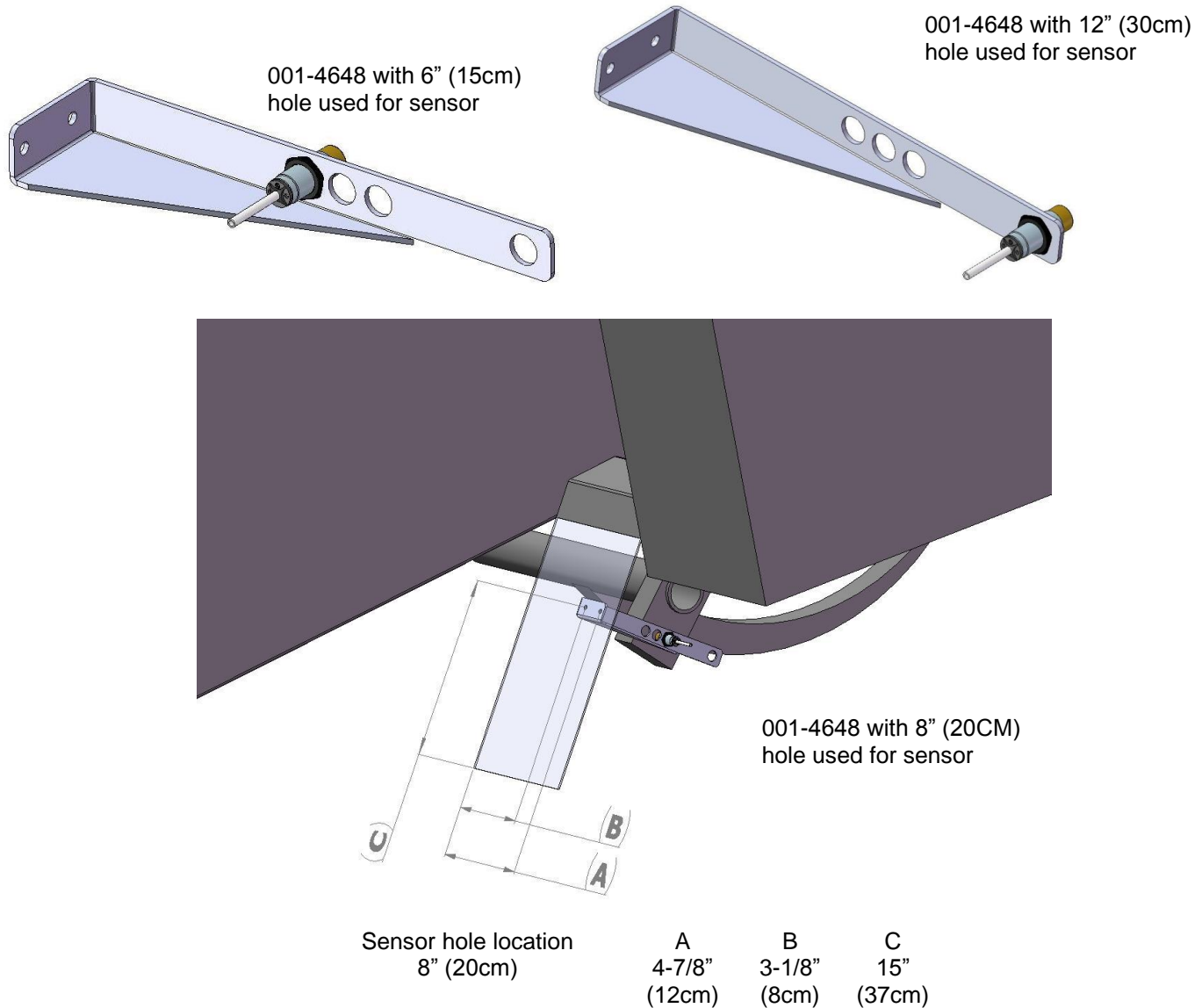
**Note: Star wheel with six-position plug needs to turn in the same directions as arrow diagram on the back.
Also twine diverter with two extra holes attaches to star wheel with 6 position plug.**



Installation of End of Bale Sensor

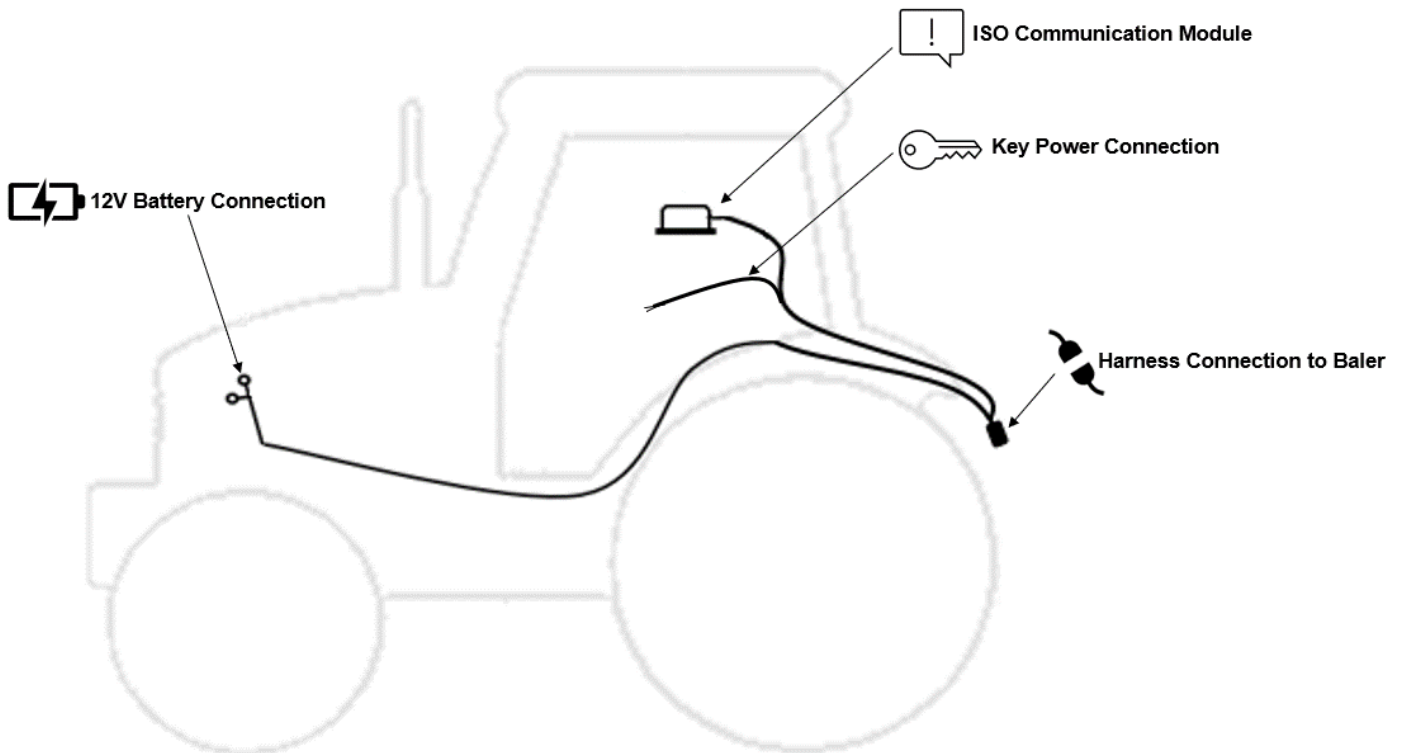
The end of bale sensor determines the position of the needles on the baler. When the needles cycle the sensor communicates this information to the 700 series. Installation of this sensor is required for use with the Harvest Tec Virtual Terminal. Reference "Sensor Settings" in Operation Manual. Follow the steps below for your baler to mount the sensor.

End of bale sensor bracket (001-4648) will be used. Cutoff excess metal not used during installation.



Mount the end of bale sensor bracket (001-4648) as shown in the 8" (20cm) hole position. Mark and drill two 3/8" (10mm) holes and attach the bracket using two 5/16" x 1" self-tapping screws, and 5/16" flange nuts. Mount the sensor in the 8" (20cm) hole location, keep the sensor 1/4" (7mm) from the needle arm and tighten both nuts. Cut off excess metal past the sensor. Run the sensor cable up to the main harness (006-765B). Attach to the plug labeled EOB.

Tractor Setup



The general tractor setup of the 700 Series applicator can be seen above. The main harness of interest is the tractor power/communication harness (006-7651C). This harness will connect at the tractor battery, to the ISO Communication Module (ICM) mounted in the cab, a keyed power connection point, and connect at the hitch area to the baler power/communication harness (006-765B). View below to see highlighted installation instruction:



The 12V battery connection must be at the tractor battery. Connection to alternative locations such as an accessory port can cause problems with applicator system.

MUST BE CONNECTED DIRECT TO TRACTOR BATTERY TERMINALS



The ISO communication module is to be mounted inside the cab. Other mounting locations can lead to issues with weathering and operation. Once installed and the system is powered, a green light will turn on the ICM module.



Ensure a solid keyed connection is found inside the cab and wired into. Poor keyed power connection can result in applicator system issues.



The tractor harness connects at the hitch to baler power/communication harness (006-765B). This will allow the system components to communicate with one another. Ensure connections are debris and corrosion free.

Display Options

Optional Harvest Tec Display



The 700 series Harvest Tec Display will allow you to set your real time baling parameters to ensure the most precise application to every bale. This is done by utilizing the improved touch technology to select objects, enter data, and swipe through operational screens.

The Harvest Tec Display offers easy integration by connecting to the additional CAN plug on the 006-765IC harness. Once, connected the Harvest Tec display will power up with applicator system.

Note: The Harvest Tec Display must be used as a standalone display, the baler cannot run both integrated and on the Harvest Tec Display. Must be one or the other. Removal of the 006-765VA or 006-765VAU (UHD balers) integration harness is required when equipped.

Optional Tablet Display



The iOS or Android Tablet displays offer the ability to communicate with the 700 series applicator system via hard-wired connection to the ISO Communication Module (ICM). Through the free Precision Baling App, the operator can set real time baling parameters to ensure the most precise application to every bale. This provides a multi-use option while utilizing the improved app to select objects, enter data, and easily switch through operational screens.

The Tablet Display offers easy integration by connecting a charging cable to the USB port on the ICM module (USB port closest to LED light). Once, connected the Harvest Tec applicator will display upon opening the app and powering up the applicator system. Tablets can be used in addition to integrated baler VT display.

***Made for iPad® (3rd generation minimum) or Android Tablet (Does not work with Amazon Fire).
Required to be running the most current operating system or one version previous.**

*iPad is a trademark of Apple Inc., registered in the U.S. and other countries.

Optional Baler VT Integration



The 700 series integration to the Baler VT allows for the ability to set your real time baling through the baler VT and monitor both baler settings and Harvest Tec system parameters on one screen to ensure the most precise application to every bale.

The 700 series offers easy integration by connecting to the additional CAN plug on the 006-765B harness. Once connected the Harvest Tec system will display with power up of the baler and applicator system.

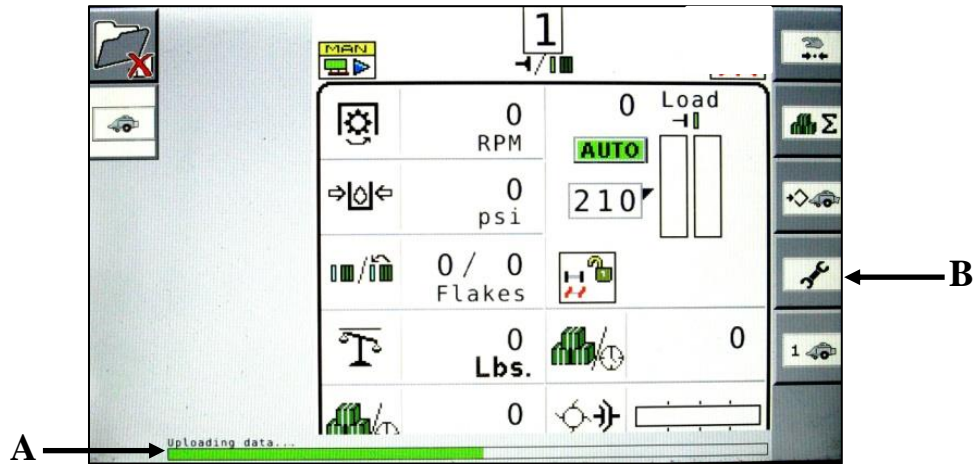
Baler Display Integration

The ISOBUS Monitor utilizes a combination of soft keys, number menus, and the scroll wheel on the upper right side of the actual monitor to make selections. Selections are made by scrolling the Thumb Wheel and pressing in once the selection is highlighted. All buttons are labeled and color coded.

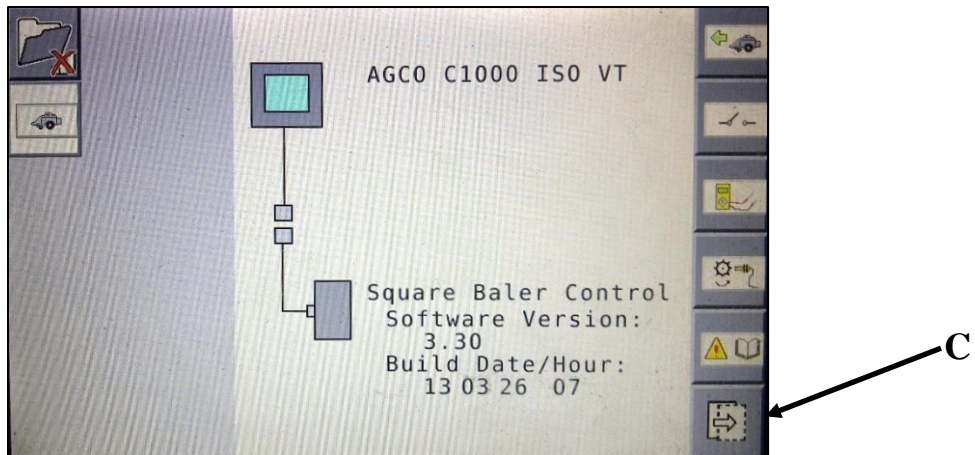


Baler Monitor Setup

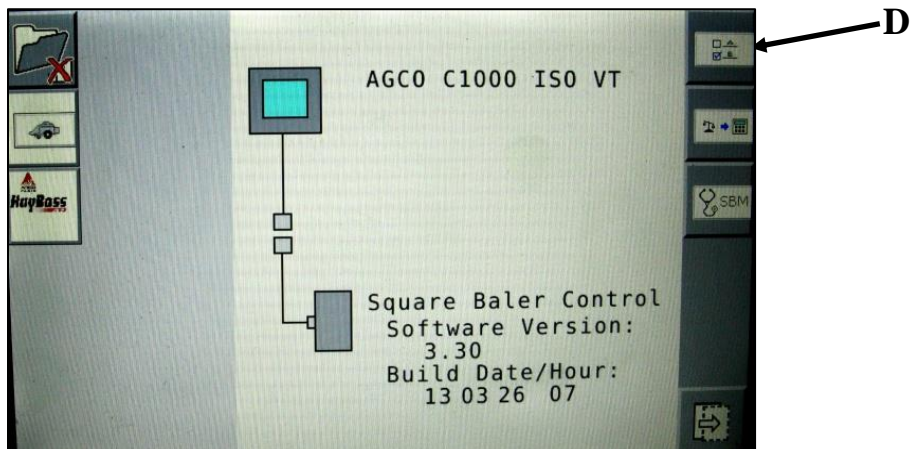
At any time after the initial Start Up/Power On the green “uploading data status bar (arrow A) may begin to fill. However, due to software version changes a status does not appear on all monitors. To begin setup of the HayBoss Preservative Applicator System select the fourth icon down on the right screen menu-the wrench icon (arrow B).



The service screen displayed below will appear. Here you can see the Version of Software for your baler which should be 3.30 or higher to enable working with the Preservative Applicator. Select the icon (arrow C) located at the bottom of the right selection menu to move to the next options menu.

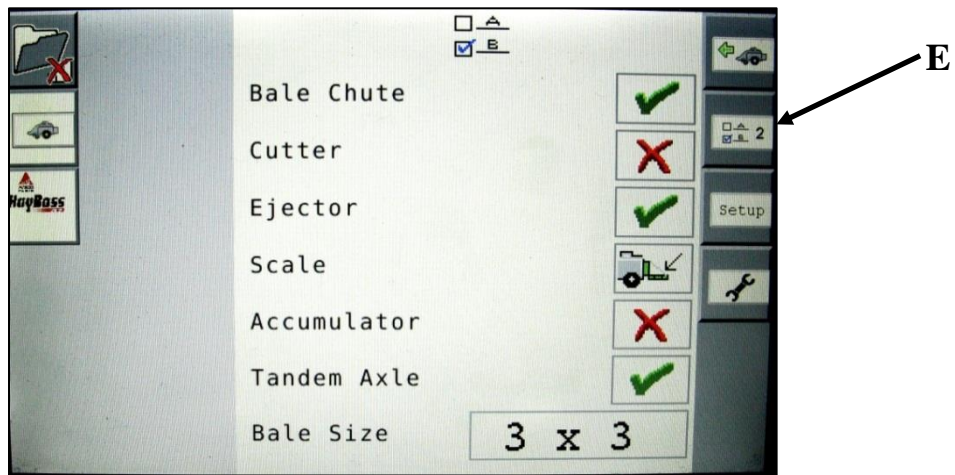


Then select the 'A B' icon (arrow D) on the right side, this should be the top button.

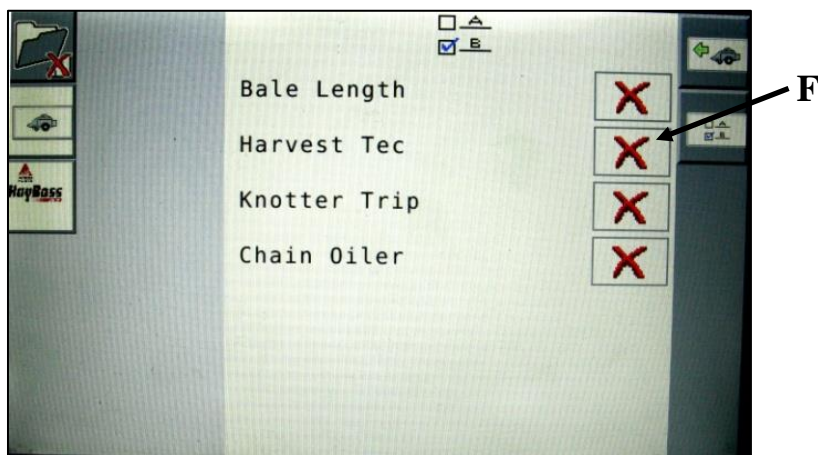


Baler Monitor Setup (continued)

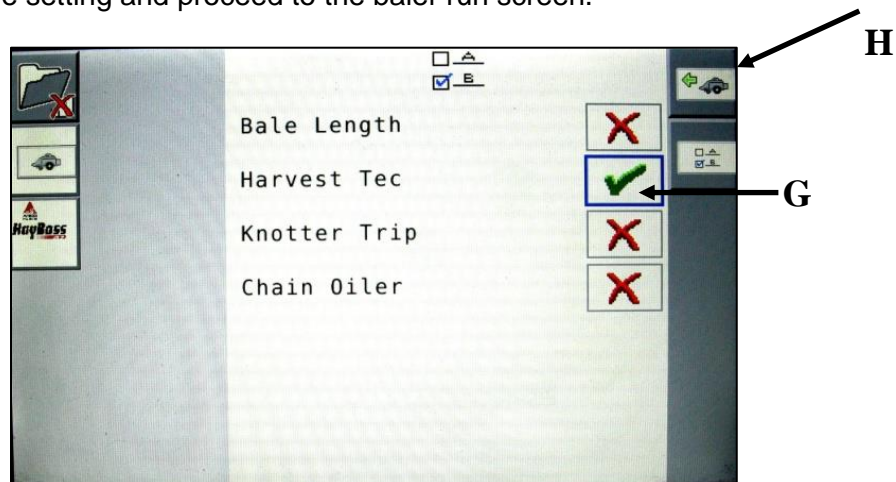
Then select the 'A B 2' icon (arrow E) on the right side to enter the next baler options screen.



Use the thumb wheel to scroll and select the Harvest Tec Option (arrow F). Press the scroll wheel to open the drop-down menu.

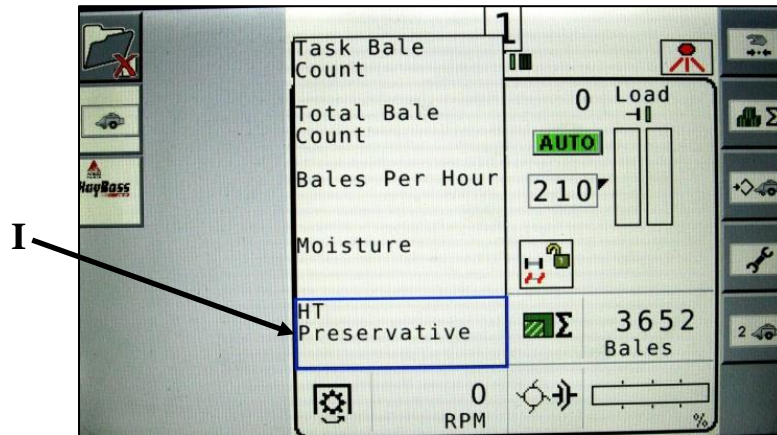


Select the green check mark to turn the Harvest Tec option ON (arrow G). Then select the Baler Run Screen button (arrow H) to save the setting and proceed to the baler run screen.

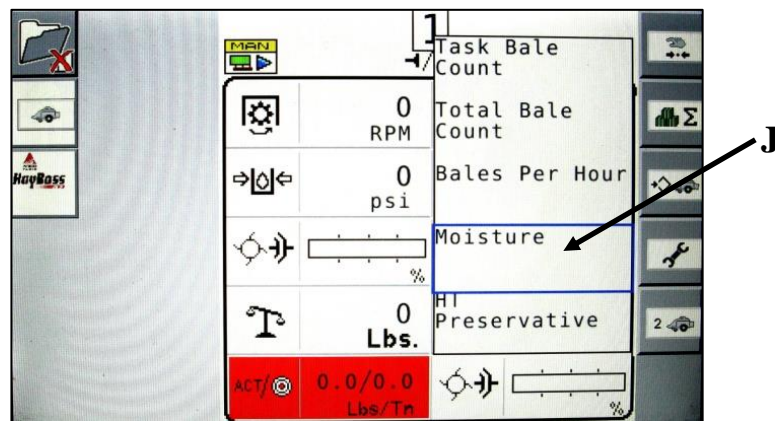


Baler Monitor Setup (continued)

Use the scroll wheel to select a container option on the baler run screen. Harvest Tec information can be displayed in any container on the baler run screen. Press the scroll wheel to open the drop-down menu and scroll to select the “HT Preservative” (arrow I) option and press the scroll wheel to select it. This will place the preservative information, “Actual” and “Target” values, in that position on the screen.



Follow the same steps as noted above to select a container for the moisture information (arrow J). This will place the “Instantaneous” and “Last Bale” moisture values in this position on the screen.



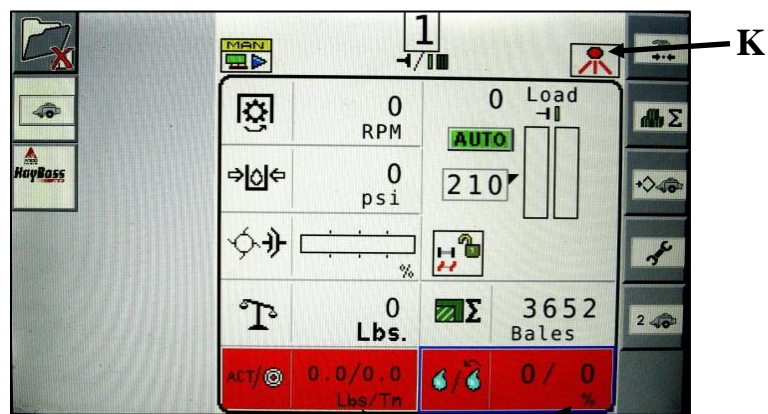
Baler Monitor Setup (continued)

Once the HT Preservative and Moisture options are selected, the containers should show with a red background. The preservative information is denoted by "ACT" for actual application and a target icon for the target value. These values are separated by a slash.

The moisture information is denoted by a rain droplet for instantaneous and a rain drop with a back arrow above for the last bale average moisture. These values are separated by a slash. And a preservative sprayer icon will show in the top right corner of the screen (arrow K).

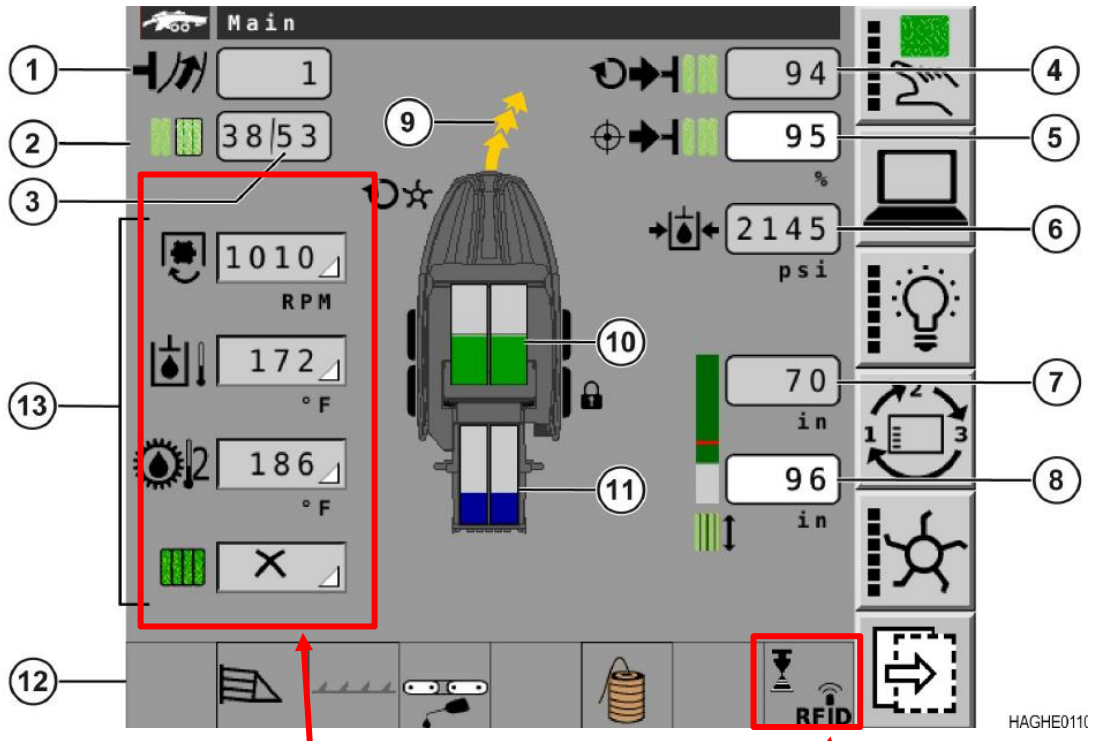
****NOTE:** When the preservative sprayer icon is RED, the preservative system is not in a run mode (Auto or Manual). When the system is in a run mode, the icon will be GREEN. The HT Preservative and Moisture containers will have RED background when the system is not in a run mode.

The background for the preservative and moisture container will be WHITE, matching the rest of the baler run screen when the system is in Auto or Manual mode.



HT Preservative and Moisture Containers








Baler Monitor Setup / View – UHD Baler Only



These four containers can be configured by the operator. In the selectable list are the items for your system. They are Current moisture, average moisture, applicator target rate, and applicator actual rate. When moisture is above your alarm setpoint it will show the moisture value with a red background.

This container is reserved for the moisture system. It shows the tagger status and applicator status. When moisture is above the set point, it will turn the background red and show the percent moisture icon in the upper right corner.

Background turns red when system is on main work screen. The icon will blink when the system is paused.

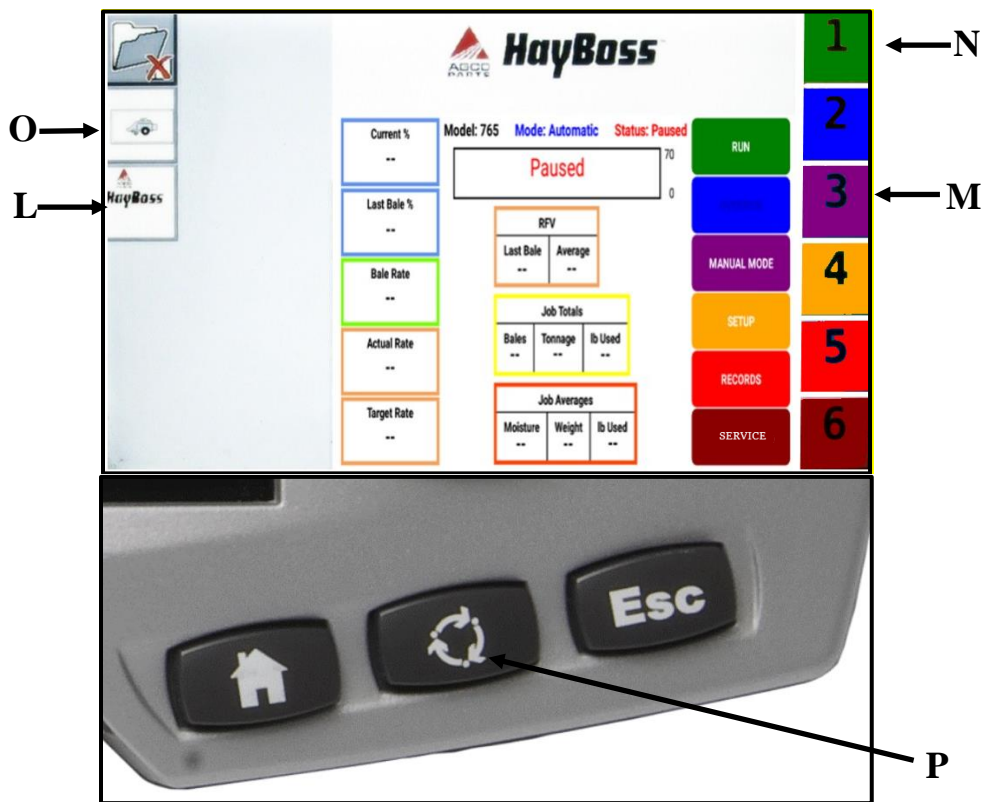
-  Current Moisture
-  Average Moisture
-  Preservative Applicator Target Rate
-  Preservative Applicator Actual Rate
-  Moisture System On. The icon will flash when the system is paused
-  Moisture System Off
-  Tagger Installed and On. This icon will flash when a tag is applied. A percent (%) symbol will display if a bale moisture goes over the set limit.

Selecting the 700 Series Preservative Applicator

The soft keys down the left side of the monitor correlate with choosing connected implements or files. Depending on your specific situation this could show your tractor, camera, baler, or the HayBoss Preservative Applicator System, among others. To enter the HayBoss menu screens, select the soft key next to the HayBoss icon (Arrow L). Once the HayBoss option has been selected, the Main Menu screen will show as seen below.

The numbered and colored soft keys on the right side (1-6) correlate to the selection options on the screen. For example, Manual Mode is PURPLE, this correlates to the PURPLE number “3” soft key option on the right side (Arrow M). So, to enter Manual Mode, the scroll wheel can be used to select the button or the soft key next to the PURPLE number “3” option can be pressed. To return to the baler work screen select the baler icon (arrow O).

The cycle button (Arrow P) can be used to toggle between connected implements. This is located at the bottom of the monitor next to the Home and Esc buttons.



Wiring Diagram – 700 Series

1. Connect the power harness (006-7651C) to the tractor battery (12 volt) using the red wire with fuse to the positive side and the black wire to the negative.



A. The power harness must be connected to the battery!

CONTACT HARVEST TEC BEFORE MODIFICATIONS.

The unit will draw more amps than convenience outlets can handle. Any modifications of the power harness will void systems warranty

B. This unit will not function on positive ground tractors.

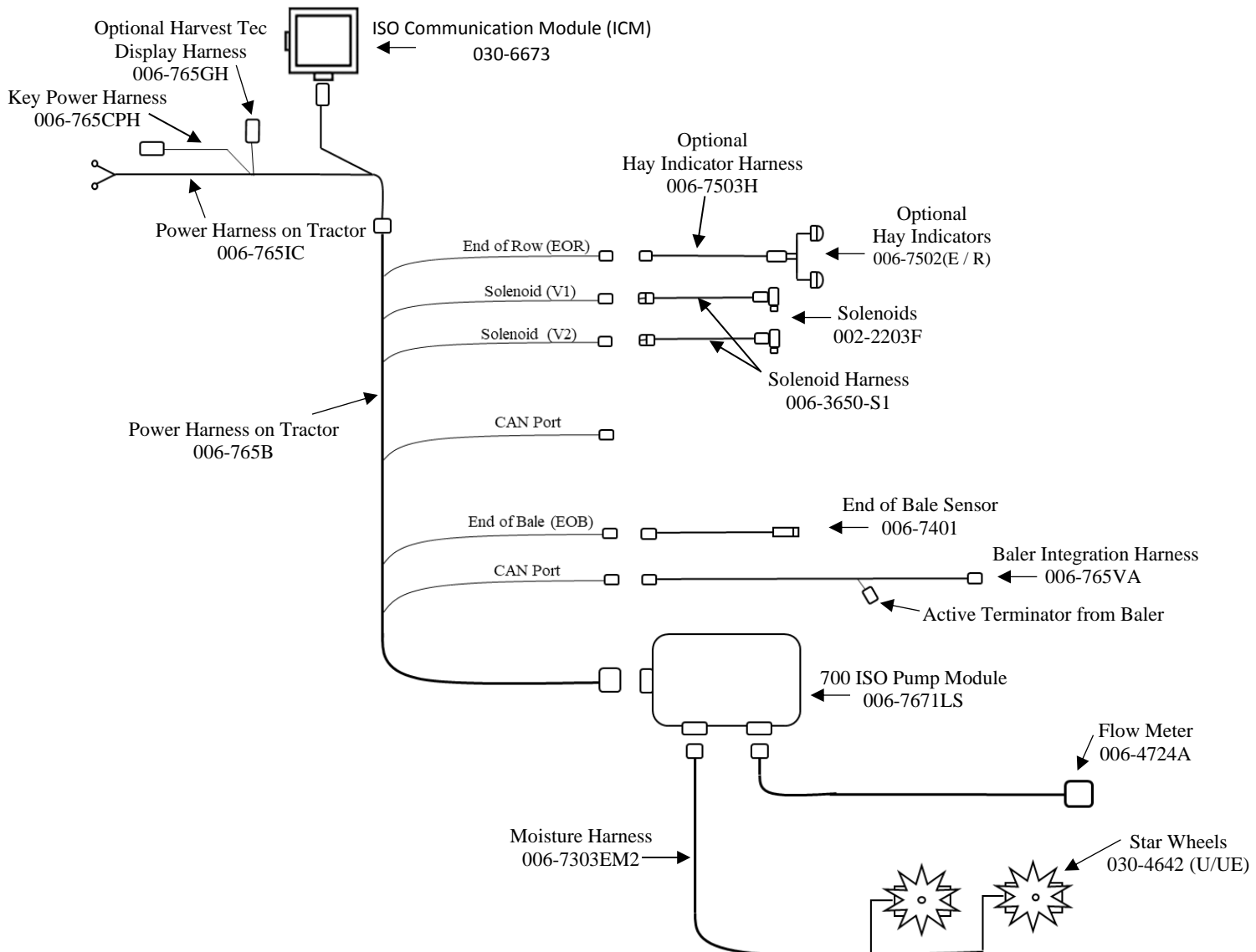
C. If the unit loses power while operating it will not keep track of accumulated pounds of product used.

2. The power harness on the tractor (006-7651C) will run from the tractor battery to the hitch. The power harness on the baler (006-765B) will connect to the tractor power harness (006-7651C) at the hitch.
3. Connect the red keyed power wire (006-765CPH) to a keyed power source on the tractor. Connect the black keyed power wire to ground.

The keyed power wire must connect to a keyed source or the unit will not power up correctly.

4. Attached the ISO Communication Module (006-6673) to the tractor power harness (006-7651C).
5. Attach the End of Bale (EOB) connection on baler harness (006-765B) to the EOB Sensor (006-7401).
6. Attach the Solenoids (V1 & V2) connections on baler harness (006-765B) to the solenoids (002-2203F).
7. Attach the Flowmeter (006-4724A) to ISO Pump Module connection on pump plate assembly.
8. Attach the rubber molded connector on pump plate to the Pump (007-4120DE).
9. Attach star wheel (030-4642 U/UE) connection to ISO Pump Module on pump plate assembly.

System Wiring Diagram

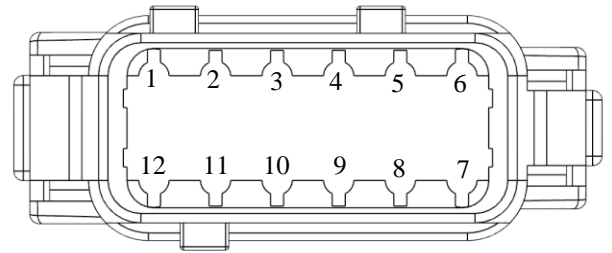


Pin Outs

Integrated Control Module (ICM) on harness 006-765IC

(Deutsch Plug Number: DTM06-12SA)

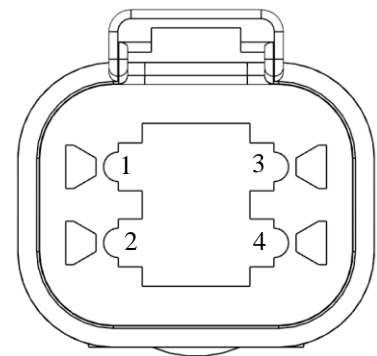
Pin 1	Red	+12V from ECU
Pin 2	Purple	Signal Wire
Pin 3	Red/White	+12V CAN X
Pin 4	Black/White	Ground CAN X
Pin 5	Orange	CAN X Hi
Pin 6	Blue	CAN X Lo
Pin 7	Green	ISO CAN Lo
Pin 8	Yellow	ISO CAN Hi
Pin 9	White	GPS Expansion 1
Pin 10	Gray	GPS Expansion 2
Pin 11	Brown	GPS Expansion 3
Pin 12	Black	Ground from ECU



ISOBUS Plug on harness 006-765IC

(Deutsch Plug Number: DT04-4P)

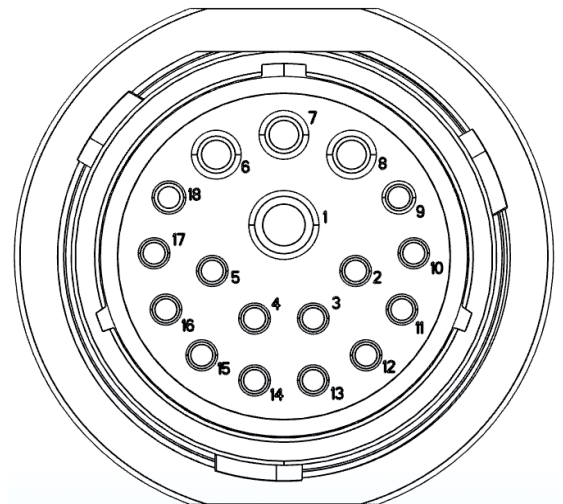
Pin 1	Red	+12V from ECU
Pin 2	Yellow	ISO CAN Hi
Pin 3	Green	ISO CAN Lo
Pin 4	Black	Ground from ECU



Power / Communication Harness 006-765IC at Baler Hitch

(Deutsch Plug Number: HDP24-24-18PN)

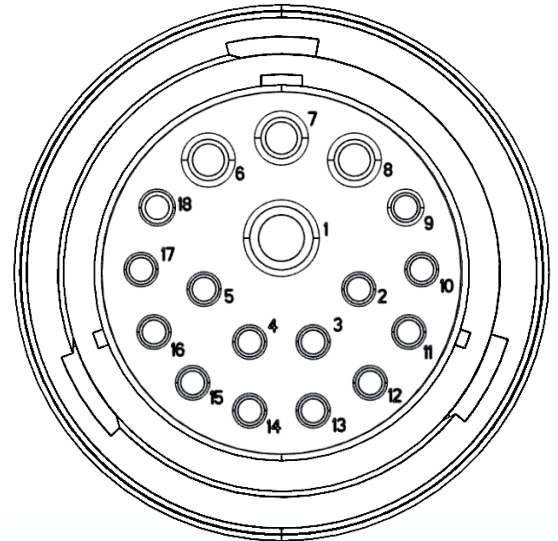
Pin 1	Not Used	----
Pin 2	Yellow	ISO CAN Hi
Pin 3	Green	ISO CAN Lo
Pin 4	Red	+12V Power to ECU
Pin 5	Black	Ground to ECU
Pin 6	Red	+12V From Battery
Pin 7	Not Used	----
Pin 8	Black	Ground From Battery
Pin 9	Not Used	----
Pin 10	Purple	Signal Wire
Pin 11	Red/White	+12V CAN X
Pin 12	Black/White	Ground CAN X
Pin 13	Orange	CAN X Hi
Pin 14	Blue	CAN X Lo
Pin 15	White	GPS Expansion 1
Pin 16	Gray	GPS Expansion 2
Pin 17	Brown	GPS Expansion 3
Pin 18	Not Used	----



Power / Communication Harness 006-765B at Baler Hitch IPM

(Deutsch Plug Number: HDP26-24-18SN)

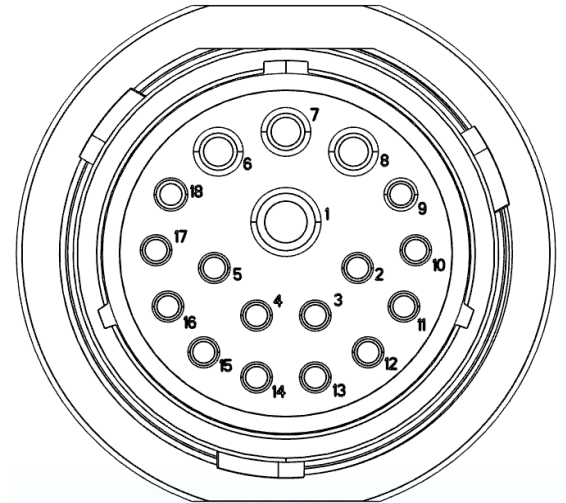
Pin 1	Not Used	----
Pin 2	Yellow	ISO CAN Hi
Pin 3	Green	ISO CAN Lo
Pin 4	Red	+12V Power to ECU
Pin 5	Black	Ground to ECU
Pin 6	Red	+12V From Battery
Pin 7	Not Used	----
Pin 8	Black	Ground From Battery
Pin 9	Not Used	----
Pin 10	Orange/White	+12V Power to EOR
Pin 11	Not Used	----
Pin 12	Not Used	----
Pin 13	Not Used	----
Pin 14	Not Used	----
Pin 15	Not Used	----
Pin 16	Not Used	----
Pin 17	Not Used	----
Pin 18	Not Used	----



Power / Communication Harness 006-765B at IPM Module

(Deutsch Plug Number: HDP24-24-18SN)

Pin 1	Not Used	----
Pin 2	Yellow	ISO CAN Hi
Pin 3	Green	ISO CAN Lo
Pin 4	Red	+12V Power to ECU
Pin 5	Black	Ground to ECU
Pin 6	Red	+12V From Battery
Pin 7	Not Used	----
Pin 8	Black	Ground From Battery
Pin 9	Not Used	----
Pin 10	Orange/White	+12V Power to EOR
Pin 11	Orange/Black	Ground to EOR
Pin 12	Purple/Green	EOR Signal
Pin 13	Blue/White	EOB Signal
Pin 14	Gray/Red	+12V Power to Solenoid 1
Pin 15	White/Black	Ground to Solenoid 1
Pin 16	Orange/Red	+12V Power to Solenoid 2
Pin 17	White/Black	Ground to Solenoid 2
Pin 18	Not Used	----



Solenoid 1 Plug on Baler Harness 006-765B

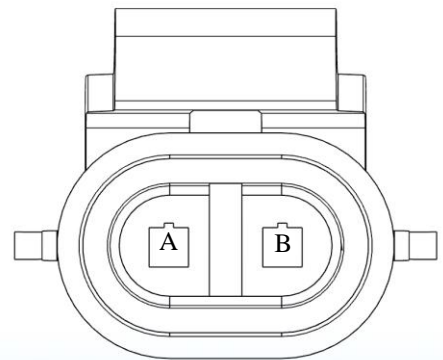
(Deutsch Plug Number: APTIV 12052641)

Pin B	Gray/Red	+12V to Solenoid 1
Pin A	White/Black	Ground to Solenoid 1

Solenoid 2 Plug on Baler Harness 006-765B

(Deutsch Plug Number: APTIV 12052641)

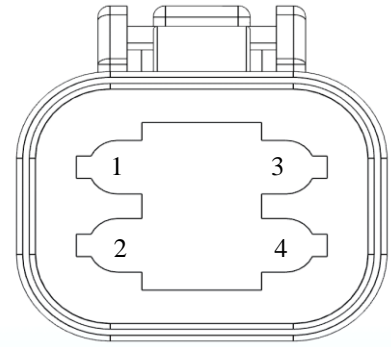
Pin B	Orange/Red	+12V to Solenoid 2
Pin A	White/Black	Ground to Solenoid 2



CAN / IDM on Baler Harness 006-765B

(Deutsch Plug Number: DT06-4S)

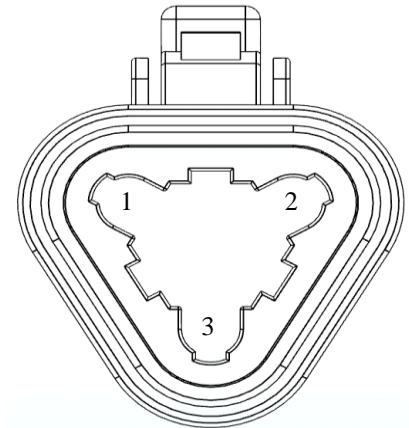
Pin 1	Red	+12V to ECU
Pin 2	Yellow	ISO CAN Hi
Pin 3	Green	ISO CAN Lo
Pin 4	Black	Ground to ECU



End of Bale Sensor Plug on Baler Harness 006-765B

(Deutsch Plug Number: DT06-3S)

Pin 1	Orange/White	+12V to End of Bale Sensors
Pin 2	Orange/Black	Ground to End of Bale Sensors
Pin 3	Blue/White	Signal



End of Row Sensors Plug on Baler Harness 006-765B

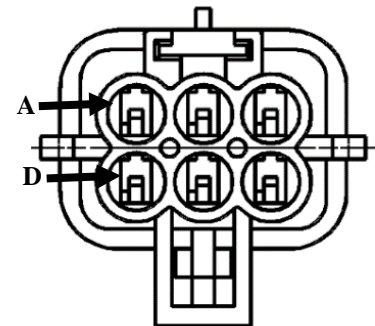
(Deutsch Plug Number: DT06-3S)

Pin 1	Orange/White	+12V to End of Bale Sensors
Pin 2	Orange/Black	Ground to End of Bale Sensors
Pin 3	Blue/White	Signal

Integration Harness Plug on Baler Harness 006-765VA

(Plug: APTIV 12052848)

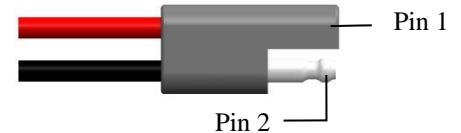
Pin A	Not Used	----
Pin B	Red	TBC Power
Pin C	Not Used	----
Pin D	Gray	TBC Ground
Pin E	Orange	CAN Hi
Pin F	Blue	CAN Lo



Pump Connection on 700 Controller Harness

(16 AWG Two-Wire Plug)

Pin 1	Red	Power to Pump
Pin 2	Black	Ground to Pump



Parts Breakdown

110 Gallon Tank – Saddle – Legs



Tank Lid
Part #:005-9022H (8" Dia.)
Check embedded letter on tank to see which lid

Tank-110 gallon
Part #: 005-9208

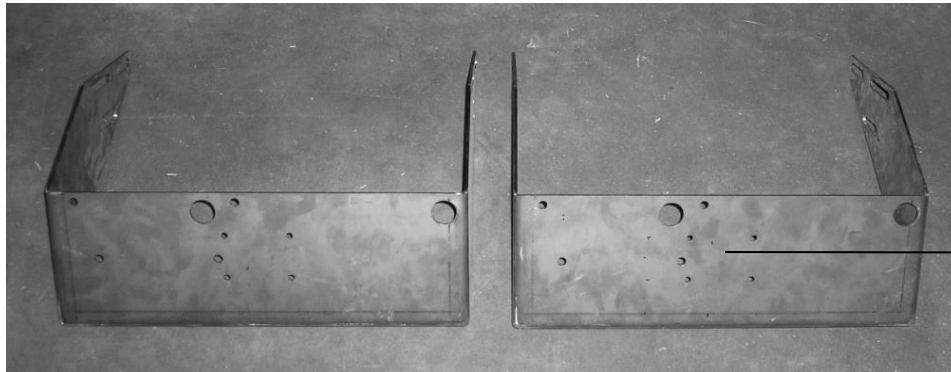
Handrail
Part #: 001-6707HR

Tank Straps
Part #: 001-4402B

Tank Saddle
Part #: 001-6707A

Tank Fittings
Part #: 005-9100

Not Pictured: Elbow
Part#:003-EL3412

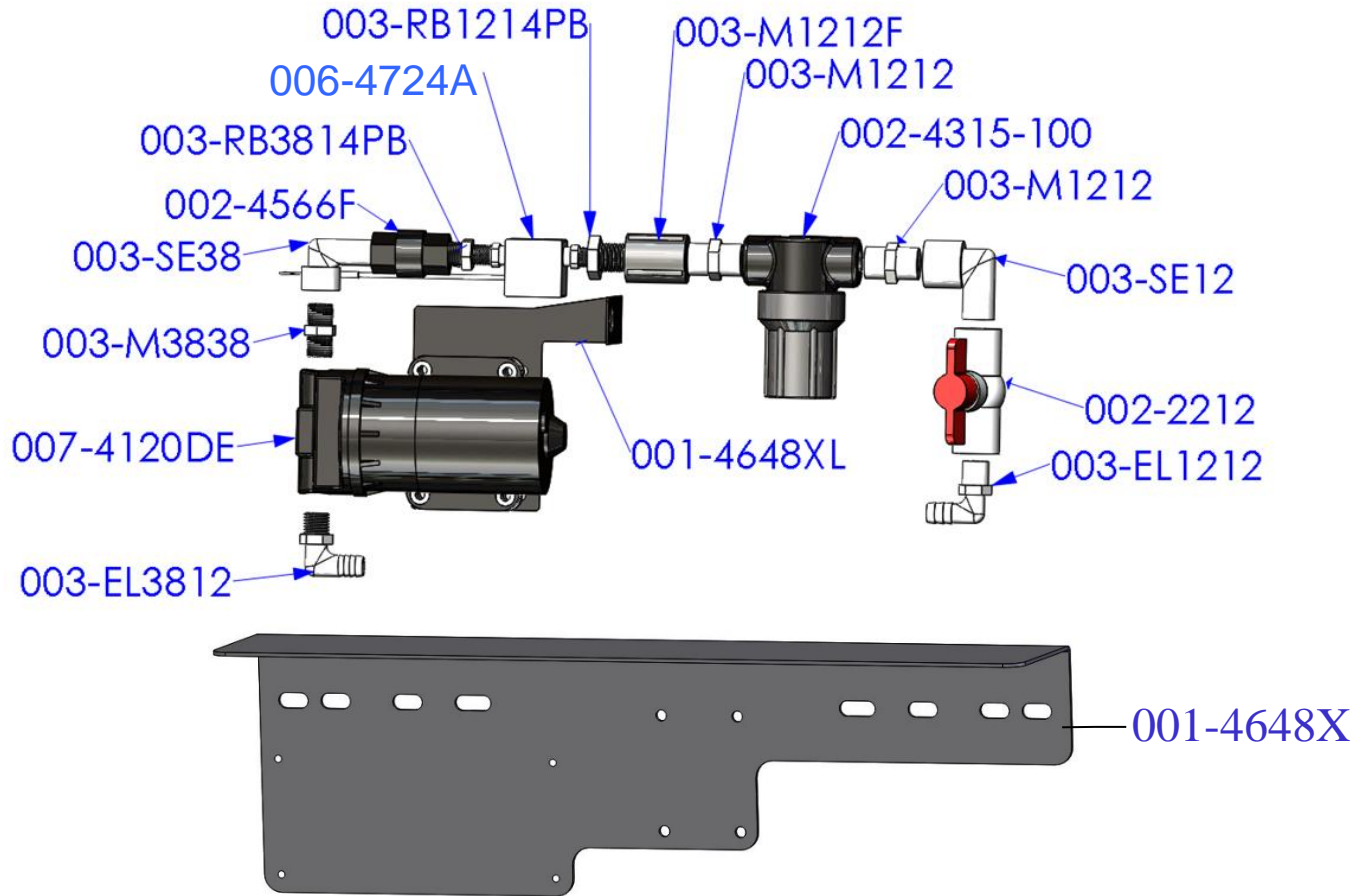


Saddle Legs
Part # 001-6707C

Legs for AGCO, Hesston, Massey, & Challenger

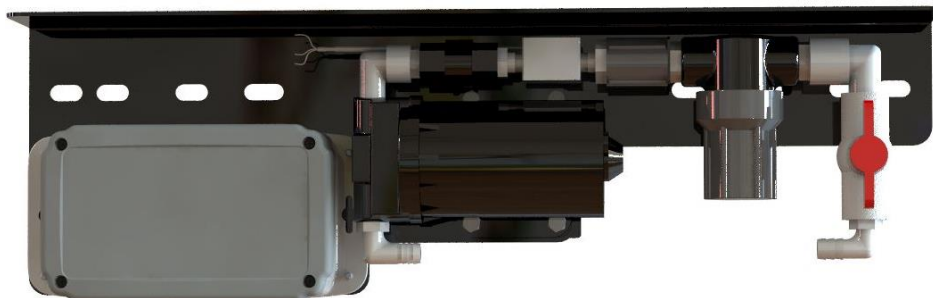
* Complete Tank Assembly Kit : 030-0491A-TK *

Parts Breakdown for Pump Assembly



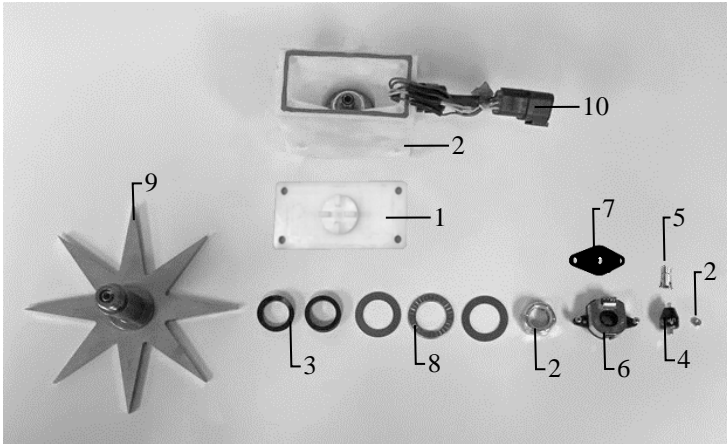
<u>Part#</u>	<u>Description</u>	<u>Qty</u>	<u>Part#</u>	<u>Description</u>	<u>Qty</u>
003-EL3812	3/8" MPT X 1/2" HB Elbow	1	003-M1212	1/2" Union	2
007-4120DE	700 Series Pump	1	002-4315-100	1/2" Line Strainer-100 Mesh	1
003-M3838	3/8" x 3/8" Union	1	003-SE12	1/2" Street Elbow	1
003-SE38	3/8" Street Elbow	1	002-2212	1/2" Ball Valve	1
002-4566F	3/8" Check Valve	1	003-EL1212	1/2" MPT x 1/2" HB	1
003-RB3814PB	RB 3/8" x 1/4" Reducer	1	001-4648XL	700 Pump Support	1
006-4724A	Flow Meter	1	001-4648X	Pump Plate Mount	1
003-RB1214PB	RB 1/2" x 1/4" Reducer	1	003-A1212	Not Pictured	1
003-M1212F	1/2" Coupler	1	003-A3812	Not Pictured	1

Completed Assembly



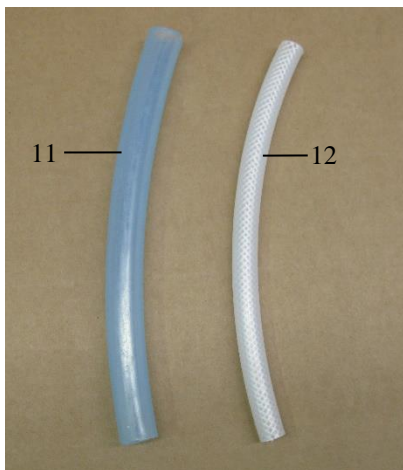
*Note: Due to alternative baler designs, elbow 003-EL3812 can be replaced by straight fitting 003-A3812. As well as elbow 003-EL1212 can be replaced by straight fitting 003-A1212. Both straight fittings are included.

Star Wheel Sensors



<u>Ref</u>	<u>Description</u>	<u>Part#</u>	<u>Qty</u>
1	Block Cover	006-4642UC	1
2	Star Wheel Block	006-4642UB	1
3	Star Wheel Gasket	006-4642UG	1
4	Electric Swivel	006-4642A	1
5	Swivel Insert	006-4642B	1
6	Encoder	006-4512E	1
7	Encoder Mount	006-4512P	1
8	Washers	006-4642K	1
9	Star Wheel	006-4642US	1
10	Encoder Harness (6 pin)	006-7307EM	1
NP	Moisture Harness (2 pin)	006-7307M	1
1-10	Star wheel assembly (w/ Encoder)	030-4642UE	1
1-5 8,9,NP	Star wheel assembly (w/o Encoder)	030-4642U	1

Hoses



<u>Ref</u>	<u>Description</u>	<u>Part #</u>	<u>Qty</u>
11	1/2" Hose (Tank to Solenoid)	002-9001	30ft
12	1/4" Hose (Solenoid to Tips)	002-9016	6ft

Moisture Harness



<u>Ref</u>	<u>Description</u>	<u>Part #</u>	<u>Qty</u>
1	Moisture Harness	006-7307EM2	1

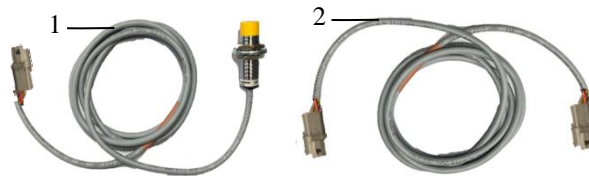
Control Box and Wiring Harnesses



<u>Ref</u>	<u>Description</u>	<u>Part#</u>	<u>Qty</u>	<u>Ref</u>	<u>Description</u>	<u>Part#</u>	<u>Qty</u>
1	Power Lead Baler 20'	006-765B	1	NP	Baler Integration Harness	006-765VA	1
2	Power lead tractor	006-765IC	1	NP	Dust Plug Kit	006-765DP	1
3	Key Switch Wire	006-765CPH	1				
4	ISO Pump Module	006-7671LS	1				
5	ISO Communication Module	006-6673	1				

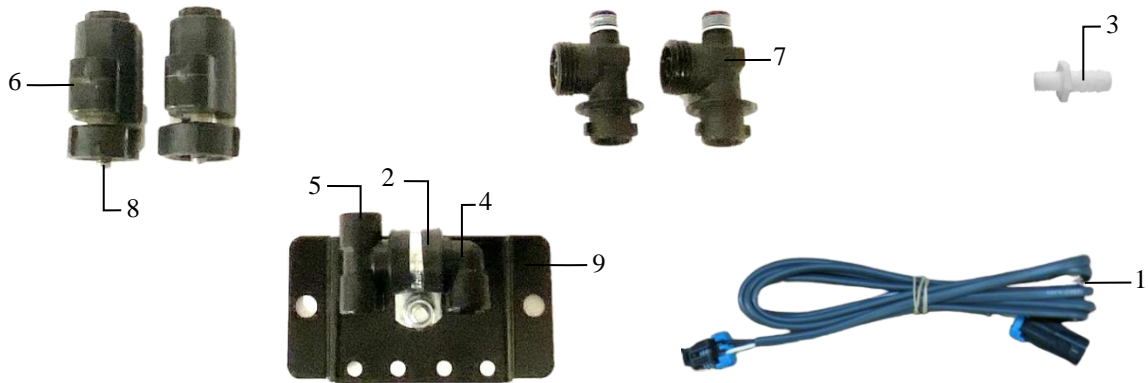
AGCO 2100 Series Baler-Pre 2012 will need 006-6650VAX

End of Bale Sensor Kit



<u>Ref</u>	<u>Description</u>	<u>Part #</u>	<u>Qty</u>
1	End of Bale Sensor	006-7401	1
2	End of Bale Ext.	006-7401EXT	1
	Complete Assembly	EOB-LS-STD	

700 Solenoid Package

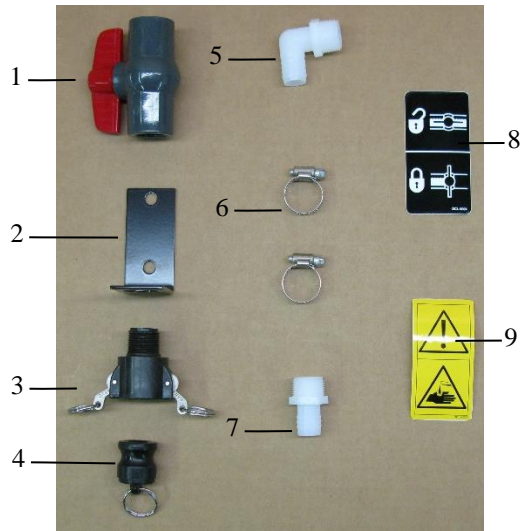


Solenoid Package

<u>Ref</u>	<u>Description</u>	<u>Part #</u>	<u>Qty</u>	<u>Ref</u>	<u>Description</u>	<u>Part #</u>	<u>Qty</u>
1	Solenoid Harness (5')	006-3650-S1	2	6	Solenoid	002-2203F	2
2	Hose Clamp #6	003-9003	1	7	Solenoid Check Valve	004-1207VF	2
3	1/4" x 1/2" Straight Fitting	003-A1412	1	8	1/4" Nipple	003-M14	2
4	1/4" Elbow	003-SE14F	1	9	Solenoid Holder	001-4648DSH	1
5	1/4" Tee Fitting	003-TT14SQ	1	NP	O-Ring Kit	002-2203FG	2
Complete Assembly						SOL-3SP-LSB	

Hose and Drain/Fill Line

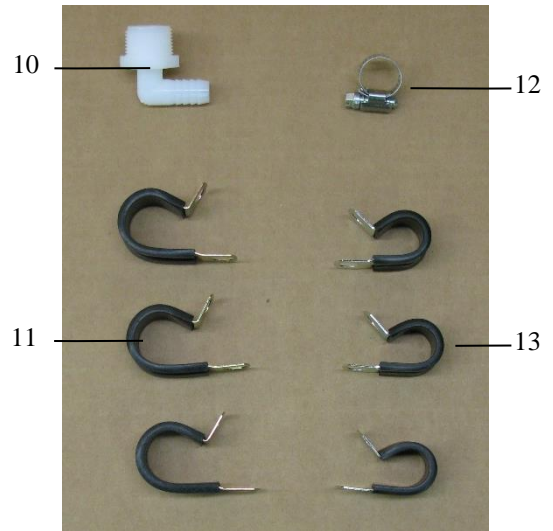
PBA-1



<u>Ref</u>	<u>Description</u>	<u>Part #</u>	<u>Qty</u>
1	3/4" Ball Valve	002-2200	1
2	Valve Holder	001-6702H	1
3	Female Coupler	002-2204A	1
4	Male Shut-Off Plug	002-2205G	1
5	3/4" x 3/4" Elbow	003-EL3434	1
6	#10 Hose Clamp	003-9004	2
7	3/4" x 3/4" Straight Fitting	003-A3434	1

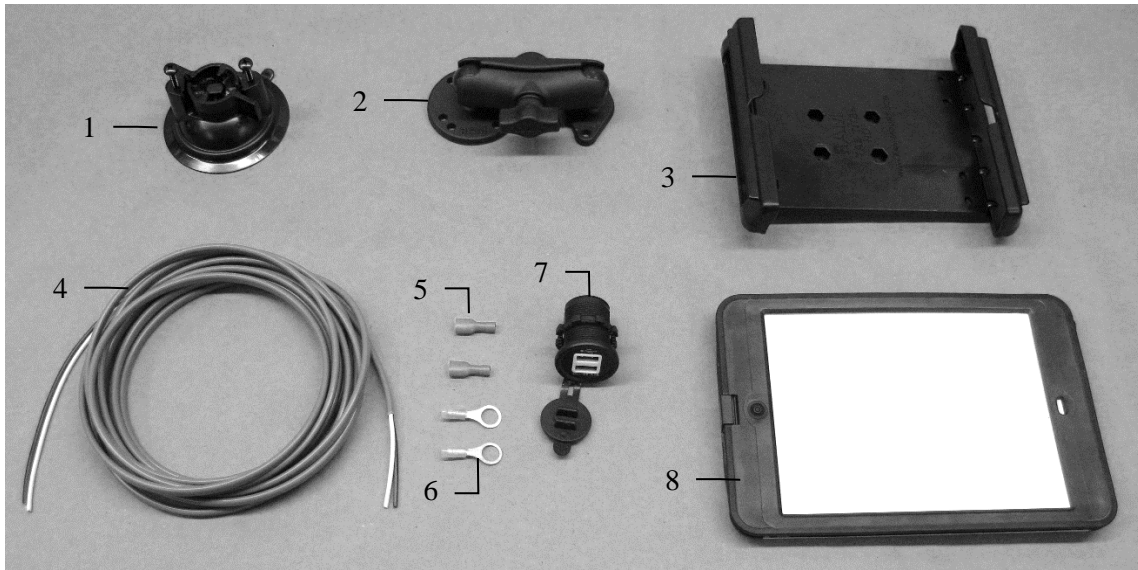
Complete Drain Fill Kit 030-0493DFK

PBP-16



<u>Ref</u>	<u>Description</u>	<u>Part #</u>	<u>Qty</u>
8	Valve Decal	DCL-8004	1
9	Hazard Decal	DCL-8001	1
10	3/4" x 1/2" Elbow	003-EL3412	1
11	3/4" Jiffy Clip	008-9010	3
12	#6 Hose Clamp	003-9003	1
13	Small Jiffy Clip	008-9009	3
10	3/4" x 1/2" Elbow	003-EL3412	1

Optional iPad Mini Mounting Kit (030-2014MK)



<u>Ref</u>	<u>Description</u>	<u>Part #</u>	<u>Qty</u>
1	Suction cup mount	001-2012SCM	1
2	Ram mount	001-2012H	1
3	iPad Mini® spring load cradle (Mini 4)	001-2012SLC	1
4	16 gauge power wire	006-4723P	1
5	Female spade connector	Hardware	2
6	Eye loop connector	Hardware	2
7	iPad Mini Charger 12V	001-2012P	1
8	iPad Mini 4 case	001-2012C4	1
NP	4 amp fuse	Hardware	1

Mounting Kit Assembly

030-2014MK
(Includes All Parts)

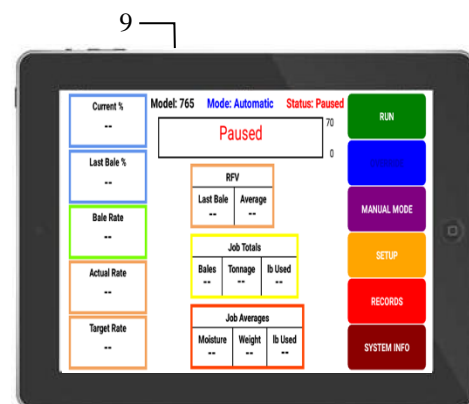
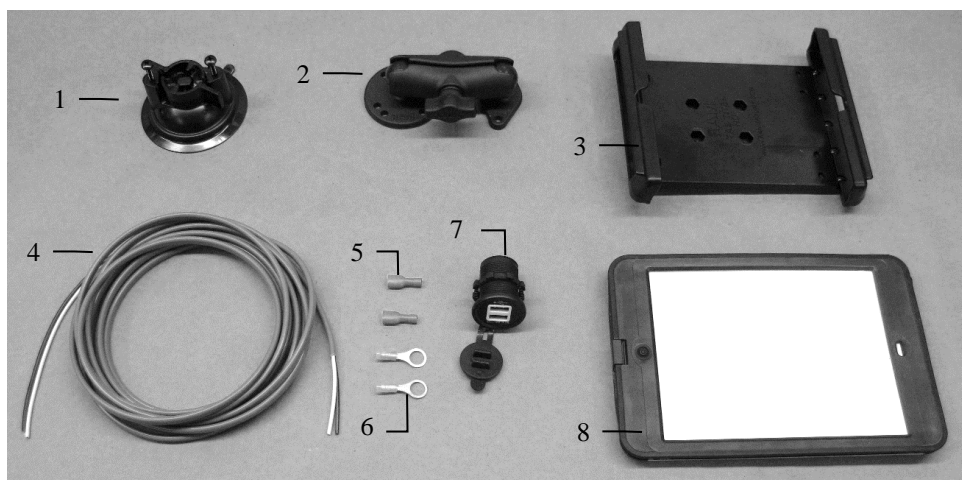
Installation Instructions

1. Identify 12V power source for wires to connect.
 - a. Eye loops included if wiring directly to the battery is desired.
 - b. Test for key power source if preferred to have power to the USB shut off with the key.
2. Once power source is identified, cut wires to desired length.
3. Crimp the two supplied quick connectors onto each the white and black wire.
4. Remove the round locking plastic nut from USB plug before connecting the wires. Black (+) White (-).
5. The wires will then be hooked to the designated terminals on the bottom of the USB plug
6. Drill a 1 1/8" hole in the preferred mounting location. Be sure to clean any sharp edges after drilling.
7. Feed the wires through the mounting hole.
8. If using the round plastic nut to secure plug in place, slide the nut back over the wiring before connecting the wires to powered source.
9. Connect the wires to the identified power source if easier to do so before tightening the plug into place.
10. Tighten plug using either the round plastic nut or mounting plate and two screws, both options supplied.
11. Once connected, hook a USB charging cord into the plug and connect a mobile device/tablet to ensure the plug is operating as you wish (key power working properly if necessary).

NOTE: This plug is not designed to charge two iPads. System damage could occur if this is attempted.
System will charge a mobile phone and iPad simultaneously without problem.

*iPad mini is a trademark of Apple Inc., registered in the U.S. and other countries.

Optional iPad Display Kit (030-4670DK)



<u>Ref</u>	<u>Description</u>	<u>Part #</u>	<u>Qty</u>
1	Suction Cup Mount	001-2012SCM	1
2	Ram Mount	001-2012H	1
3	iPad Mini® Spring Load Cradle (Mini 2)	001-2012SLC	1
4	16 Gauge Power Wire	006-4723P	1
5	Female Spade Connector	Hardware	2
6	Eye Loop Connector	Hardware	2
7	iPad Mini Charger 12V	001-2012P	1
8	iPad Mini 4 case	001-2012C4	1
9	iPad Mini 4	006-2670IP	1
NP	4 Amp Fuse	Hardware	1

Mounting Kit Assembly

030-2014MK
(Includes All Parts)

Installation Instructions

- a. Identify 12V power source for wires to connect.
- b. Eye loops included if wiring directly to the battery is desired.
- c. Test for key power source if preferred to have power to the USB shut off with the key.
- d. Once power source is identified, cut wires to desired length.
- e. Crimp the two supplied quick connectors onto the white and black wire.
- f. Remove the round locking plastic nut from USB plug before connecting the wires. Black (+) White (-).
- g. The wires will then be hooked to the designated terminals on the bottom of the USB plug
- h. Drill a 1 1/8" hole in the preferred mounting location. Be sure to clean any sharp edges after drilling.
- i. Feed the wires through the mounting hole.
- j. If using the round plastic nut to secure plug-in place, slide the nut back over the wiring before connecting the wires to powered source.
- k. Connect the wires to the identified power source if easier to do so before tightening the plug into place.
- l. Tighten plug using either the round plastic nut or mounting plate and two screws, both options supplied.
- m. Once connected, hook a USB charging cord into the plug and connect a mobile device/tablet to ensure the plug is operating as you wish (key power working properly if necessary).

NOTE: This plug is not designed to charge two iPads. System damage could occur if this is attempted. System will charge a mobile phone and iPad simultaneously without problem.

*iPad mini is a trademark of Apple Inc., registered in the U.S. and other countries.

Optional Harvest Tec Display Kit (030-7670DK)



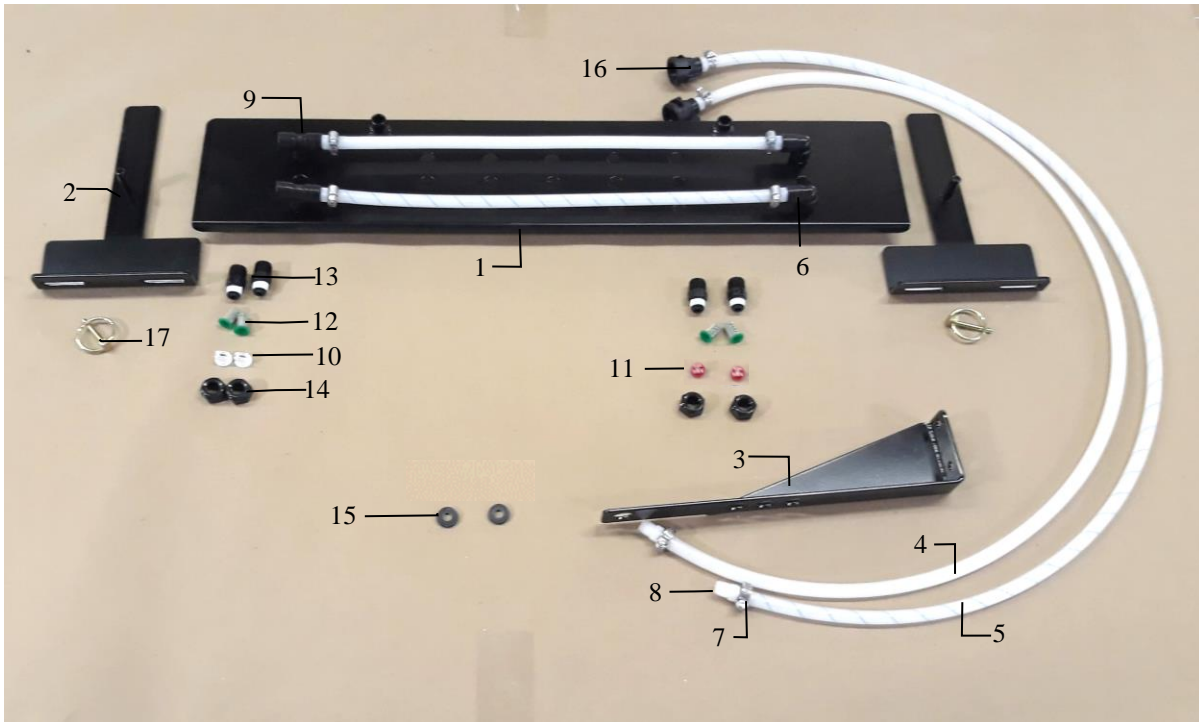
<u>Ref</u>	<u>Description</u>	<u>Part #</u>	<u>Qty</u>
1	Suction Cup Mount	001-2012SCM	1
2	Ram Mount	001-2012H	1
3	Harvest Tec Display	006-765GVT	1
4	Display Harness	006-765GH	1
5	Mounting Plate	001-700GH	1

Installation Instructions

1. Identify 006-765GH harness connection to 006-765IC tractor harness.
2. Connect harness to the Harvest Tec Display before tightening into place.
3. Tighten the mounting and display. Streamline harness, as necessary.
4. Once connected, power cycle system and ensure display is working properly.

NOTE: CANNOT OPERATE WITH BOTH HARVEST TEC DISPLAY AND BALER VT CONNECTED AT THE SAME TIME

4518C Installation Kit

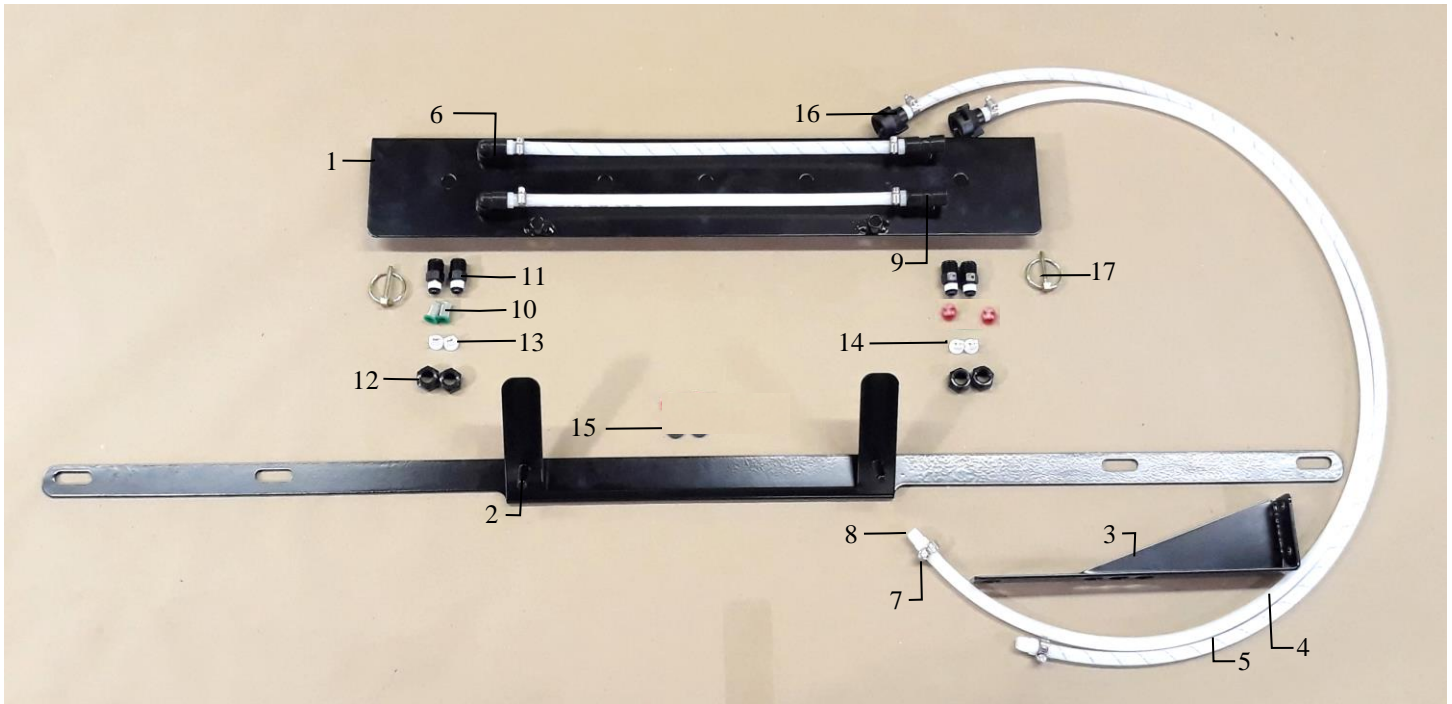


<u>Ref</u>	<u>Description</u>	<u>Part #</u>	<u>Qty</u>	<u>Ref</u>	<u>Description</u>	<u>Part #</u>	<u>Qty</u>
1	Spray Shield	001-4435ES	1	10	1/4" Tip	004-XR11008VK	2
2	Spray Shield Holder	001-4435H	2	11	1/4" Tip	004-XR11004VK	2
3	End of Bale Bracket	001-4648	1	12	Tip Strainer-100 Mesh	004-1203-100	4
4	1/4" Braided Hose	002-9016	5.5	13	Nylon Nozzle Body	004-4722	4
5	1/4" Braided Hose-Blue	002-9016B	5.5	14	Nylon Nozzle Cap	004-4723	4
6	1/4" 90 Deg. Elbow	003-SE14F	2	15	Rubber Washer	004-1207W	2
7	Mini Hose Clamp	003-9002	8	16	Female Quick Connect	004-1207H	2
8	1/4" x 1/4" Straight Fitting	003-A1414	8	17	3/16" Lynch Pin	008-4576	2
9	1/4" Tee Fitting	003-TT14SQ	2				

*Tip color subject to change

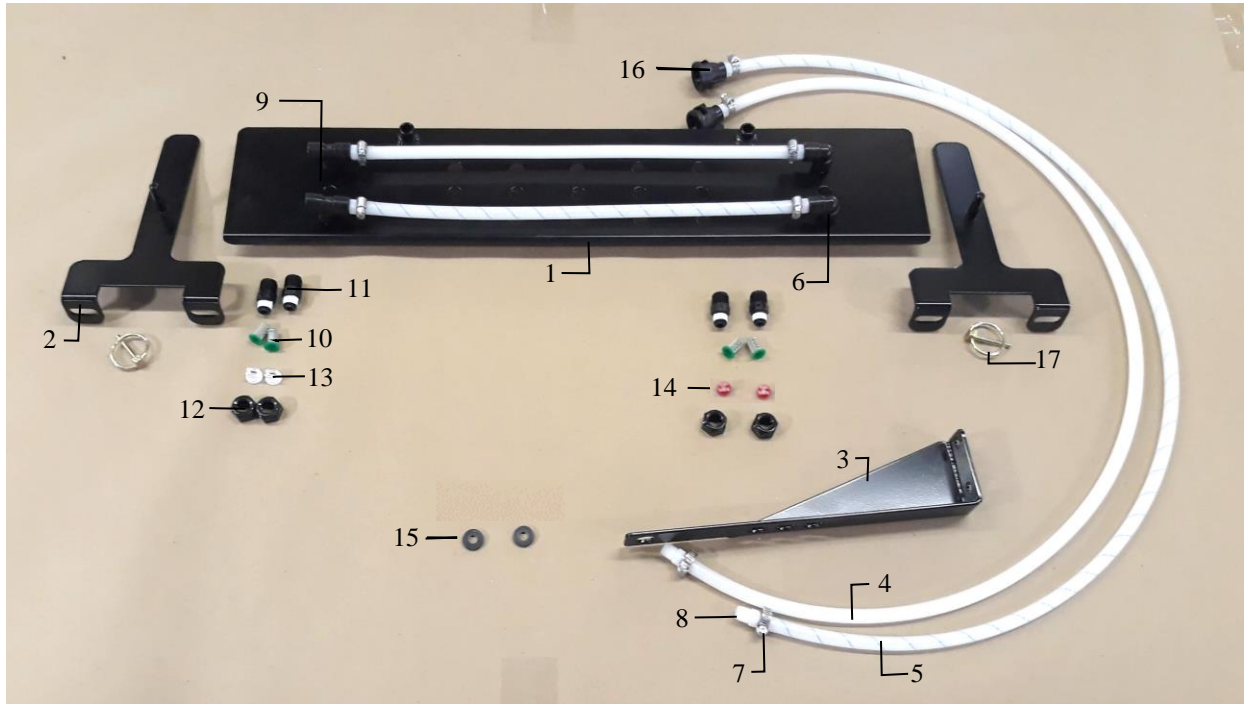
Complete Installation Kit 030-4518C
(Ref. 1-17)

Model 4519C Installation Kit



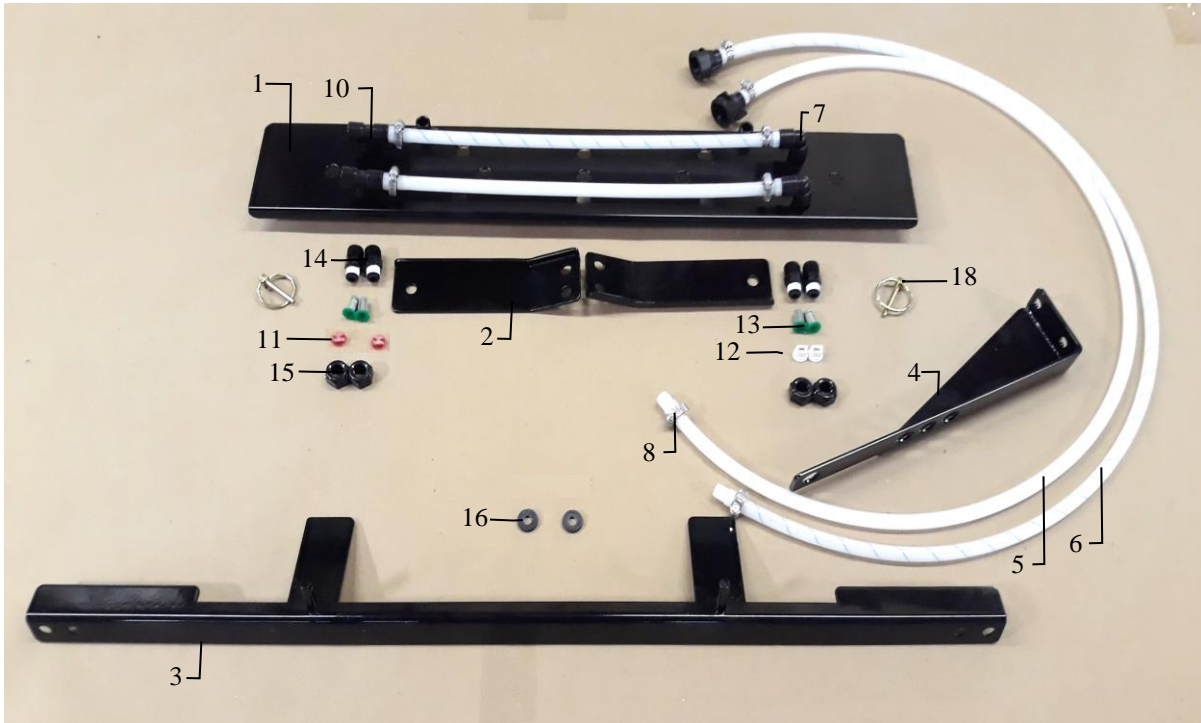
<u>Ref</u>	<u>Description</u>	<u>Part #</u>	<u>Qty</u>	<u>Ref</u>	<u>Description</u>	<u>Part #</u>	<u>Qty</u>
1	Spray Shield	001-4435AS	1	10	Tip Strainer-100 Mesh	004-1203-100	4
2	Spray Shield Holder	001-4435J	1	11	Nylon Nozzle Body	004-4722	4
3	End of Bale Bracket	001-4648	1	12	Nylon Nozzle Cap	004-4723	4
4	1/4" Braided Hose	002-9016	5.5	13	1/4" Tip	004-XR11008VK	2
5	1/4" Braided Hose-Blue	002-9016B	5.5	14	1/4" Tip	004-XR11004VK	2
6	1/4" 90 Deg. Elbow	003-SE14F	2	15	Rubber Washer	004-1207W	2
7	Mini Hose Clamp	003-9002	8	16	Female Quick Connect	004-1207H	2
8	1/4" x 1/4" Straight Fitting	003-A1414	8	17	3/16" Lynch Pin	008-4576	2
9	1/4" Tee Fitting	003-TT14SQ	2				
					*Tip color subject to change		
					Complete Installation Kit	030-4519C	
					(Ref. 1-17)		

4527C Installation Kit



<u>Ref</u>	<u>Description</u>	<u>Part #</u>	<u>Qty</u>	<u>Ref</u>	<u>Description</u>	<u>Part #</u>	<u>Qty</u>
1	Spray Shield	001-4435ES	1	10	Tip Strainer-100 Mesh	004-1203-100	4
2	Spray Shield Holder	001-4435HPC	2	11	Nylon Nozzle Body	004-4722	4
3	End of Bale Sensor Bracket	001-4648	1	12	Nylon Nozzle Cap	004-4723	4
4	1/4" Braided Hose	002-9016	5.5	13	1/4" Tip	004-XR11008VK	2
5	1/4" Braided Hose-Blue	002-9016B	5.5	14	1/4" Tip	004-XR11004VK	2
6	1/4" 90 Deg. Elbow	003-SE14F	2	15	Rubber Washer	004-1207W	2
7	Mini Hose Clamp	003-9002	8	16	Female Quick Connect	004-1207H	2
8	1/4" x 1/4" Straight Fitting	003-A1414	8	17	3/16" Lynch Pin	008-4576	2
9	1/4" Tee Fitting	003-TT14SQ	2				
				*Tip color subject to change			
Complete Installation Kit						030-4527C	
(Ref. 1-17)							

4530C Installation Kit



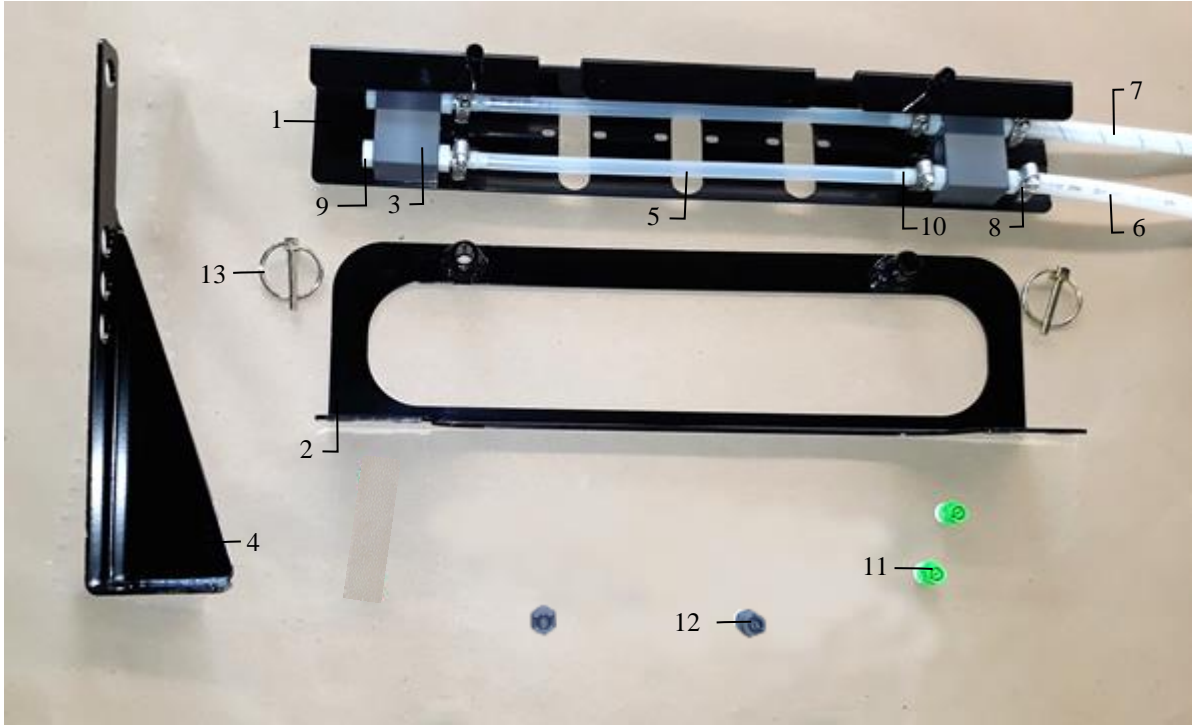
<u>Ref</u>	<u>Description</u>	<u>Part #</u>	<u>Qty</u>	<u>Ref</u>	<u>Description</u>	<u>Part #</u>	<u>Qty</u>
1	Spray Shield	001-4435AS	1	10	1/4" Tee Fitting	003-TT14SQ	2
2	Spray Shield Bracket	001-4435XB	2	11	1/4" Tip	004-XR11008VK	2
3	Spray Shield Holder	001-4435XA	1	12	1/4" Tip	004-XR11004VK	2
4	End of Bale Bracket	001-4648	1	13	Tip Strainer-100 Mesh	004-1203-100	4
5	1/4" Braided Hose	002-9016	5.5	14	Nylon Nozzle Body	004-4722	4
6	1/4" Braided Hose-Blue	002-9016B	5.5	15	Nylon Nozzle Cap	004-4723	4
7	1/4" 90 Deg. Elbow	003-SE14F	2	16	Rubber Washer	004-1207W	2
8	Mini Hose Clamp	003-9002	8	17	Female Quick Connect	004-1207H	2
9	1/4" x 1/4" Straight Fitting	003-A1414	8	18	3/16" Lynch Pin	008-4576	2

*Tip color subject to change

Complete Installation Kit
(Ref. 1-18)

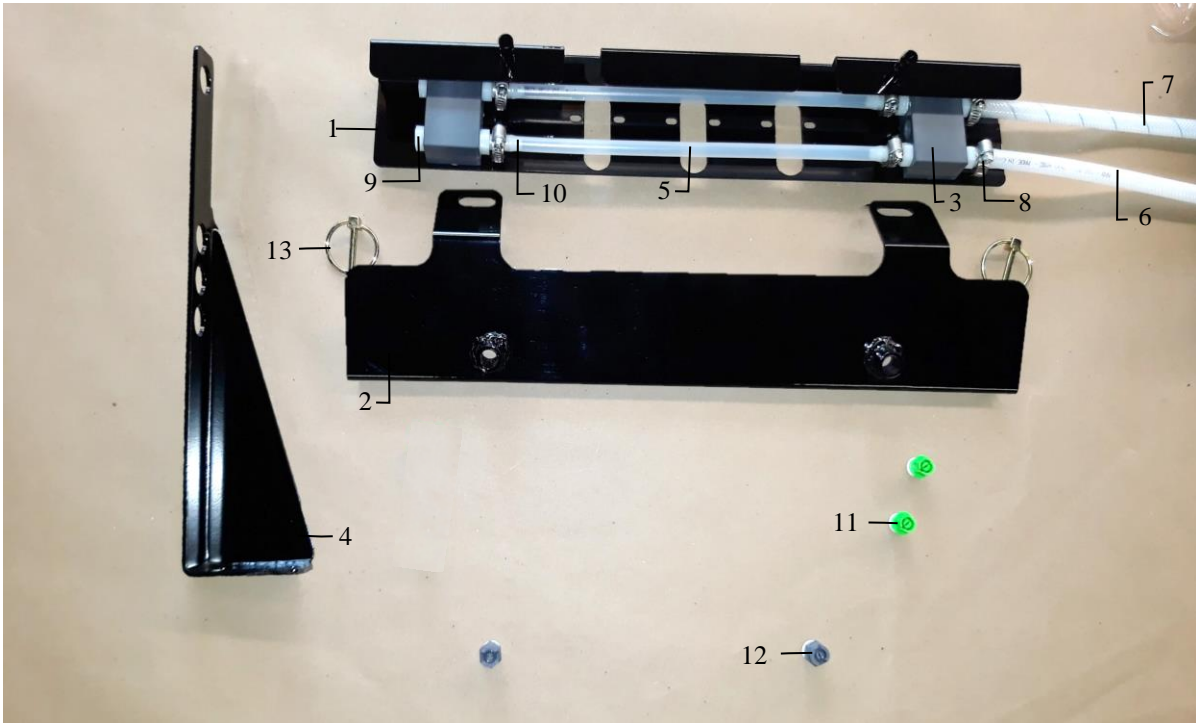
030-4530C

4542C Installation Kit



<u>Ref</u>	<u>Description</u>	<u>Part #</u>	<u>Qty</u>	<u>Ref</u>	<u>Description</u>	<u>Part #</u>	<u>Qty</u>
1	Spray Shield	001-4435NSX	1	8	Mini Hose Clamp	003-9002	8
2	Spray Shield Holder	001-4435NAX	1	9	1/4" Hex Plug	003-F14	2
3	Spray Manifold Block	001-4435NSB	2	10	1/4" x 1/4" Straight Fitting	003-A1414	8
4	End of Bale Bracket	001-4648	1	11	1/4" NPT Tip	004-T8008-PT	2
5	1/4" EVA Tubing	002-9006	2	12	1/4" NPT Tip	004-T8004-PT	2
6	1/4" Braided Hose	002-9016	4	13	3/16" Lynch Pin	008-4576	2
7	1/4" Braided Hose-Blue	002-9016B	4	NP	Rubber Washer	004-1207W	2
				NP	Female Quick Connect	004-1207H	2
*Tip color subject to change							
Complete Installation Kit (Ref. 1-13)						030-4542C	

4544C Installation Kit



<u>Ref</u>	<u>Description</u>	<u>Part #</u>	<u>Qty</u>	<u>Ref</u>	<u>Description</u>	<u>Part #</u>	<u>Qty</u>
1	Spray Shield	001-4435NSX	1	8	Mini Hose Clamp	003-9002	8
2	Spray Shield Holder	001-4435U	1	9	1/4" Hex Plug	003-F14	2
3	Spray Manifold Block	001-4435NSB	2	10	1/4" x 1/4" Straight Fitting	003-A1414	8
4	End of Bale Bracket	001-4648	1	11	1/4" NPT Tip	004-T8008-PT	2
5	1/4" EVA Tubing	002-9006	2	12	1/4" NPT Tip	004-T8004-PT	2
6	1/4" Braided Hose	002-9016	4	13	3/16" Lynch Pin	008-4576	2
7	1/4" Braided Hose-Blue	002-9016B	4	NP	Female Quick Connect	004-1207H	2
				NP	Rubber Washer	004-1207W	2

*Tip color subject to change

Complete Installation Kit 030-4544C
(Ref. 1-13)

NOTES

Harvest Tec Inc. Warranty and Liability Agreement

Harvest Tec, Inc. will repair or replace components that are found to be defective within 12 months from the date of manufacture. Under no circumstances does this warranty cover any components which in the opinion of Harvest Tec, Inc. have been subjected to negligent use, misuse, alteration, accident, or if repairs have been made with parts other than those manufactured and obtainable from Harvest Tec, Inc.

Our obligation under this warranty is limited to repairing or replacing free of charge to the original purchaser any part that in our judgment shows evidence of defective or improper workmanship, provided the part is returned to Harvest Tec, Inc. within 30 days of the failure. If it is determined that a non-Harvest Tec branded hay preservative has been used inside the Harvest Tec applicator system where the failure occurred, then Harvest Tec reserves the right to deny the warranty request at their discretion. Parts must be returned through the selling dealer and distributor, transportation charges prepaid.

This warranty shall not be interpreted to render Harvest Tec, Inc. liable for injury or damages of any kind, direct, consequential, or contingent, to persons or property. Furthermore, this warranty does not extend to loss of crop, losses caused by delays or any expense prospective profits or for any other reason. Harvest Tec, Inc. shall not be liable for any recovery greater in amount than the cost or repair of defects in workmanship.

There are no warranties, either expressed or implied, of merchantability or fitness for particular purpose intended or fitness for any other reason.

This warranty cannot guarantee that existing conditions beyond the control of Harvest Tec, Inc. will not affect our ability to obtain materials or manufacture necessary replacement parts.

Harvest Tec, Inc. reserves the right to make design changes, improve design, or change specifications, at any time without any contingent obligation to purchasers of machines and parts previously sold.

Revised 4/17

HARVEST TEC, INC.
P.O. BOX 63
2821 HARVEY STREET
HUDSON, WI 54016
PHONE: 715-386-9100
1-800-635-7468
FAX: 715-381-1792
Email: info@harvesttec.com