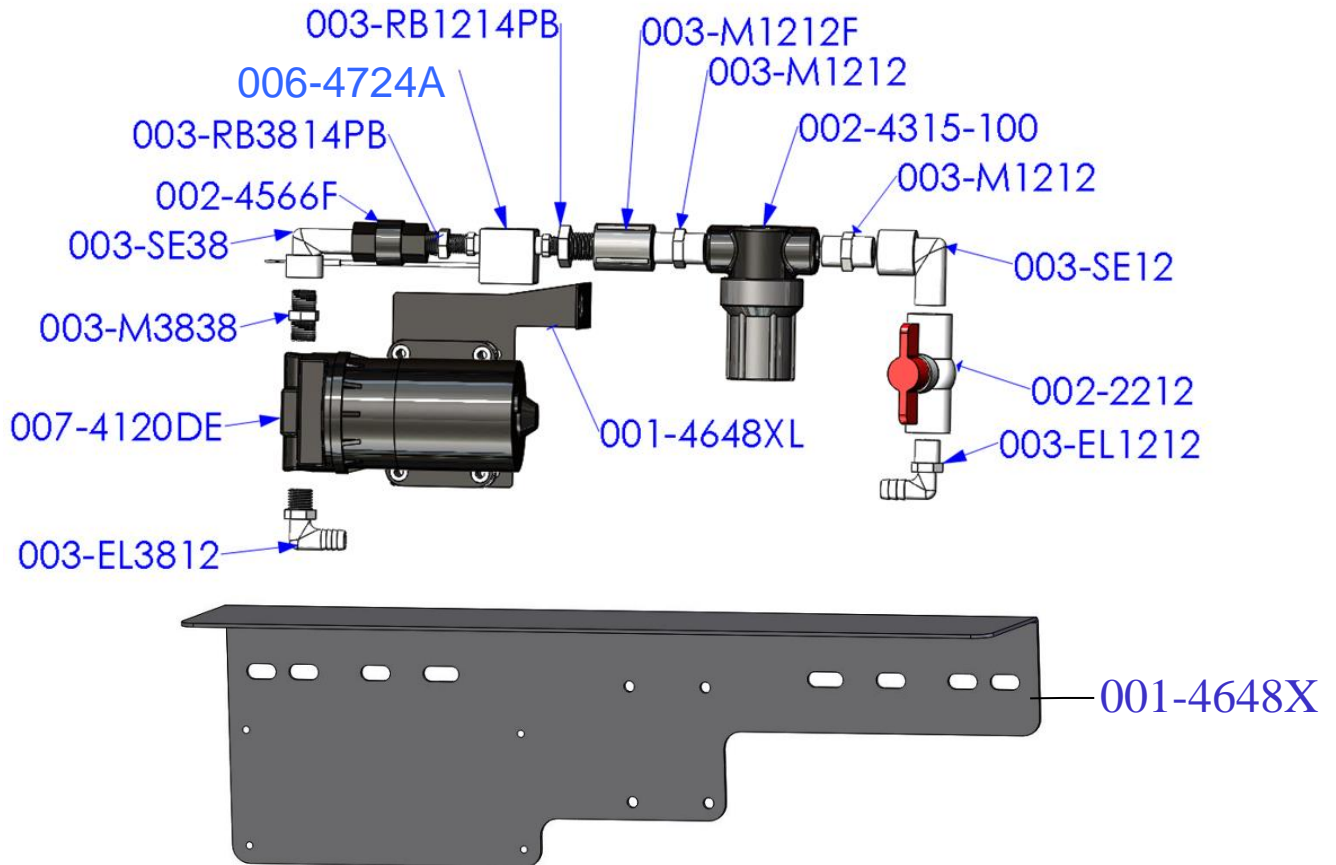
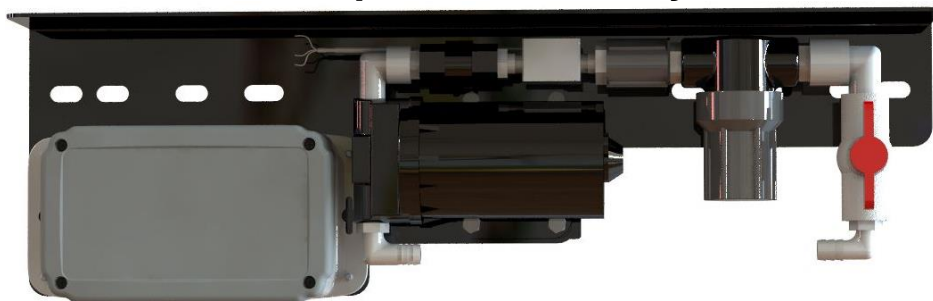


## Pump Assembly



| <u>Part#</u> | <u>Description</u>       | <u>Qty</u> | <u>Part#</u> | <u>Description</u>          | <u>Qty</u> |
|--------------|--------------------------|------------|--------------|-----------------------------|------------|
| 003-EL3812   | 3/8" MPT X 1/2" HB Elbow | 1          | 003-M1212    | 1/2" Union                  | 2          |
| 007-4120DE   | 700 Series Pump          | 1          | 002-4315-100 | 1/2" Line Strainer-100 Mesh | 1          |
| 003-M3838    | 3/8" x 3/8" Union        | 1          | 003-SE12     | 1/2" Street Elbow           | 1          |
| 003-SE38     | 3/8" Street Elbow        | 1          | 002-2212     | 1/2" Ball Valve             | 1          |
| 002-4566F    | 3/8" Check Valve         | 1          | 003-EL1212   | 1/2" MPT x 1/2" HB          | 1          |
| 003-RB3814PB | RB 3/8" x 1/4" Reducer   | 1          | 001-4648XL   | 700 Pump Support            | 1          |
| 006-4724A    | Flow Meter               | 1          | 001-4648X    | Pump Plate Mount            | 1          |
| 003-RB1214PB | RB 1/2" x 1/4" Reducer   | 1          | 003-A1212    | Not Pictured                | 1          |
| 003-M1212F   | 1/2" Coupler             | 1          | 003-A3812    | Not Pictured                | 1          |

## Completed Assembly



Note: Due to alternative baler designs, elbow 003-EL3812 can be replaced by straight fitting 003-A3812. As well as elbow 003-EL1212 can be replaced by straight fitting 003-A1212. Both straight fittings are included.