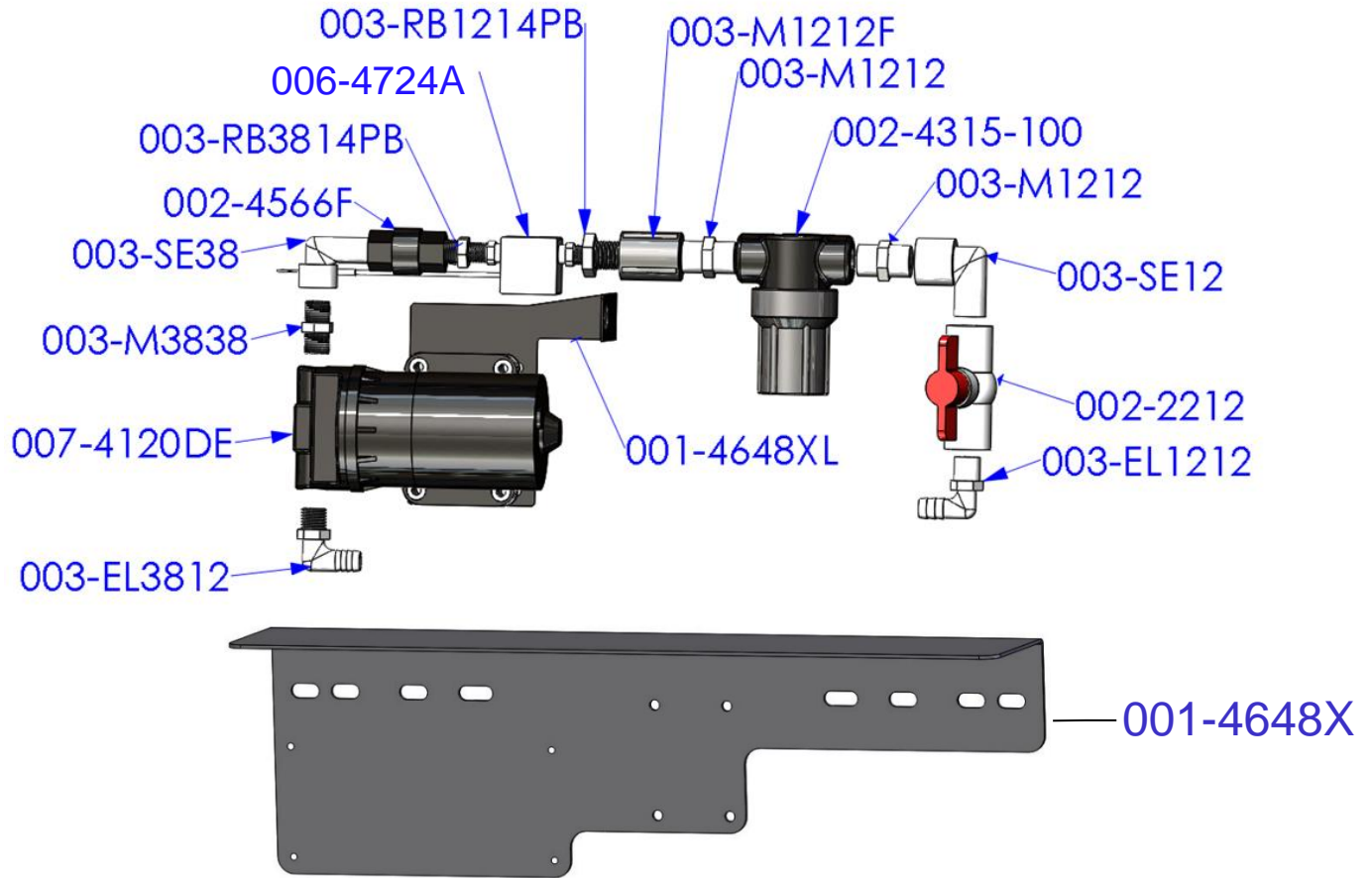
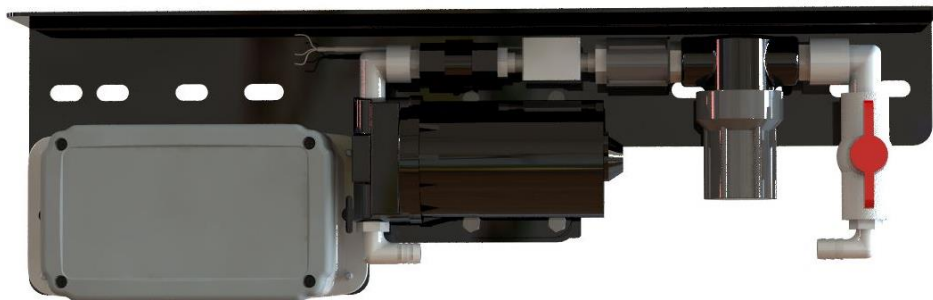


## Parts Breakdown for Pump Assembly



<u>Part#</u>	<u>Description</u>	<u>Qty</u>	<u>Part#</u>	<u>Description</u>	<u>Qty</u>
003-EL3812	3/8" MPT X 1/2"HB Elbow	1	003-M1212	1/2" Union	2
007-4120DE	300 Series Pump	1	002-4315-100	1/2" Line Strainer-100 Mesh	1
003-M3838	3/8" x 3/8" Union	1	003-SE12	1/2" Street Elbow	1
003-SE38	3/8" Street Elbow	1	002-2212	1/2" Ball Valve	1
002-4566F	3/8" Check Valve	1	003-EL1212	1/2"MPT x 1/2"HB	1
003-RB3814PB	RB 3/8" x 1/4" Reducer	1	001-4648XL	300 Pump Support	1
006-4728R	Flow Meter – Block Style	1	001-4648X	Pump Plate Mount	1
003-RB1214PB	RB 1/2" x 1/4" Reducer	1	003-A1212	Not Pictured	1
003-M1212F	1/2" Coupler	1	003-A3812	Not Pictured	1

## Completed Assembly



\*Note: Due to alternative baler designs, elbow 003-EL3812 can be replaced by straight fitting 003-A3812. As well as elbow 003-EL1212 can be replaced by straight fitting 003-A1212. Both straight fittings are included.