

# Installation Manual

## ***Model 700BB & 700BBHD***

***Moisture Sensor Kit for Large Square Balers  
For New Holland BigBaler and Case IH LB 4***



---

P.O. Box 63 • 2821 Harvey Street • Hudson, WI 54016  
800-635-7468 • [www.harvesttec.com](http://www.harvesttec.com)

## DECLARATION OF INCORPORATION



**MANUFACTURER:**

Harvest Tec Inc.  
2821 Harvey St.  
P.O. Box 63  
Hudson, WI 54016, U.S.A.

**REPRESENTATIVE ESTABLISHED IN COMMUNITY:** Profitable Farming Company  
Middle Barlington, Roborough  
Winkleigh, Devon, EX19 8AG  
ENGLAND

The person above certifies and declares that:

**VIRTUAL MACHINE:** Equipment mounted on a farm press and for the application of inoculants onto forage crops.

**MODEL:** 700BB & 700BBHD-INST-20-Imp&Metric

**BRAND:** Harvest Tec

**SERIAL NUMBER:**

This application preservatives for hay Harvest Tec system meets the Directive 2006/42/EC of the European Parliament and the Council of 17 May 2006 and other applicable European Directives including Directive 2004/108/EC on the Electromagnetic compatibility.

The application of preservatives for hay Harvest Tec system will be turned on after being installed on a farm press has been declared in conformity with the Machinery Directive.

Person in the community authorized to provide information on the partly completed machinery and making this statement:

**Richard Snell, President, Profitable Farming Company**  
Signed on May 21, 2011: Middle Barlington, Roborough  
Winkleigh, Devon, EX19 8AG  
ENGLAND

# Table of Contents

	<u>PAGE</u>
Introduction	4
System Requirements	4
Tools Needed	4
Installation of Processor (IPM)	5
Installation of Star Wheel Moisture Sensors – 700BB	6
Installation of Star Wheel Moisture Sensors – 700BBHD	7
Installation of End of Bale Sensor – 700BB & 700BBHD	8
Baler Interface Harness	9
Tractor Setup	10
Display Options	11-12
700BB Baler Display Integration	13-18
700BBHD Baler Display Integration	19-21
Wiring Diagram	22
Pin Outs	23-25
Parts Breakdown	26
Warranty	27

## Introduction

Thank you for purchasing the 700 series moisture system. This system has been designed to be operated through the Harvest Tec display, an iOS or Android tablet (not included) using the Precision Baling App, or to plug directly into the baler's ISOBUS and display.

The 700 Series Moisture System is designed to be expandable and be able to apply buffered propionic acid to the forage crop as it is baled. Failure to follow instructions can result in personal injury or equipment malfunction. If you need parts for the system, please view the Parts Breakdown toward the back of this manual and contact your local authorized dealer to order the parts.

Right and Left sides are determined by facing in the direction of forward travel.

## System Requirements



**CNH Baler Monitor must have version 4.2.0 or higher**



**\*Made for Harvest Tec Display, Baler Integration, or Tablet\***  
**For best performance ensure all displays are running the latest operating system.**

In order for the CNH Baler to receive the messages regarding Status, Moisture and display this information on the Baler Work Screen, the software in the Baler Control Module (BCM) needs to be updated to version 4.2.0.0 or higher. Dealers can log an ASIST incident and request the BCM software from CNH Technical Support Services if they need the software prior to those release dates.

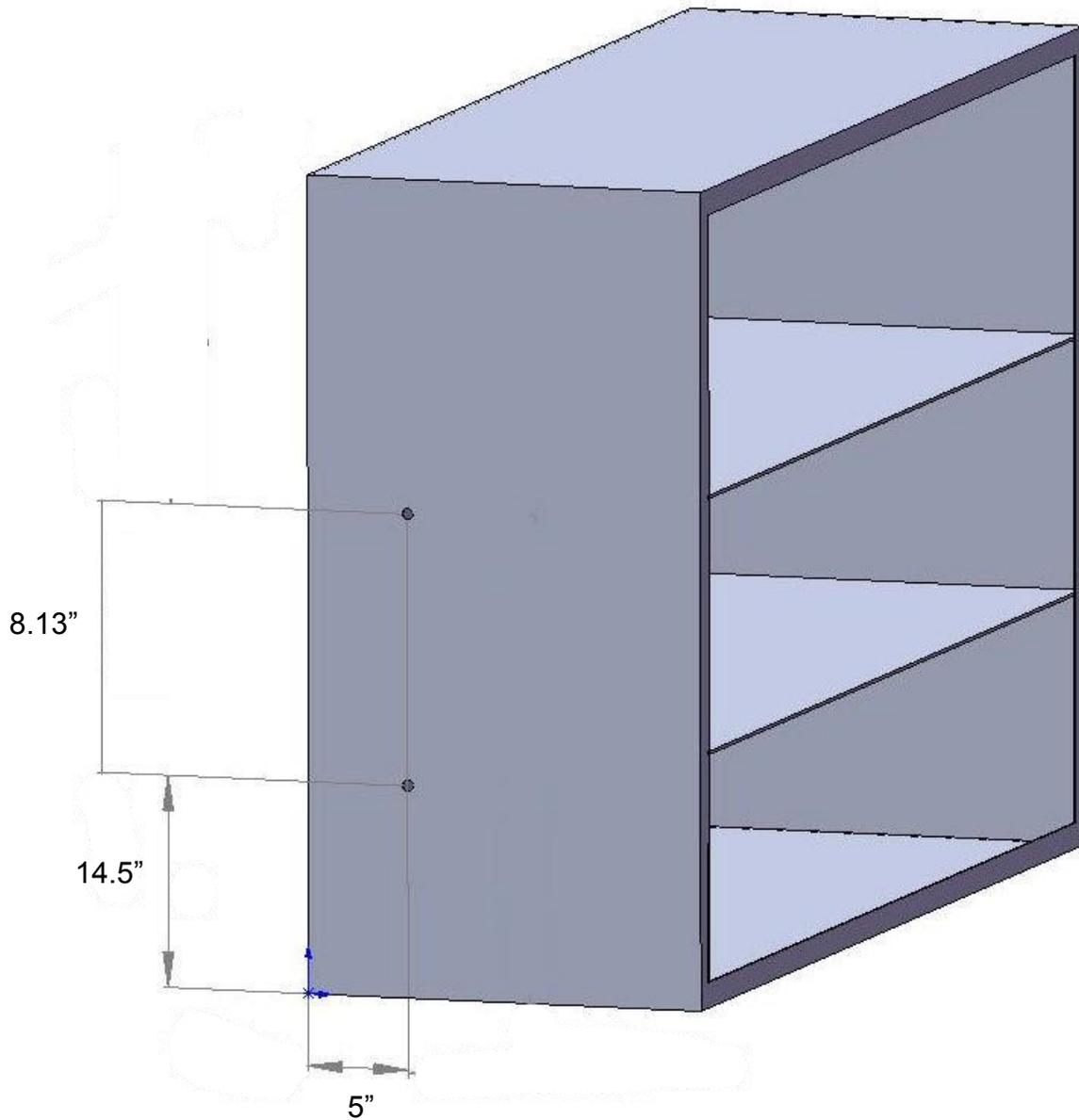
## Tools Needed

Standard Wrench set  
Electric drill and bits  
Side cutter

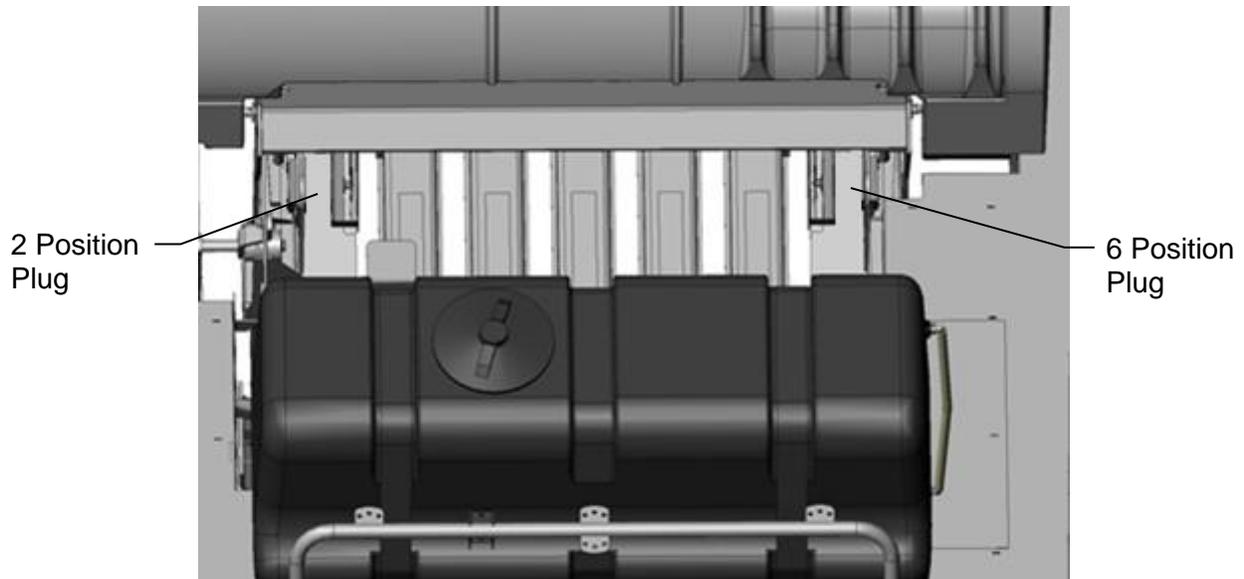
Standard Socket Set  
Hammer  
Center punch

## Installation of the Processor (IPM)

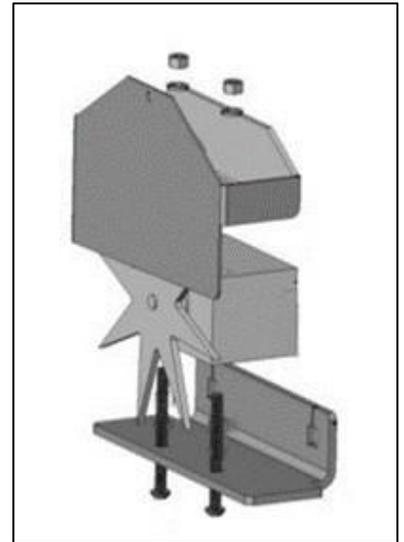
Follow the instructions below to mount the Main Processor (IPM) onto your baler. The locations shown are on the right twine box (looking from the back of the baler). Mark and drill the two 3/8 (10mm) holes and install the (IPM) with two 5/16 x 1 bolts, four 1/4" washers, and two 5/16" nylock nuts. Main harness whip coming out of (IPM) should point to the ground. When attaching other harness make sure to loop them below the (IPM) so as not to funnel water into the control.



## Installation of Star Wheel Moisture Sensors - 700BB



1. Locate the two-star wheel moisture sensors (030-4642U / UE) twine diverters (001-4644 / 4645) and parts bag E.
2. Directly behind the knotters, locate the two predrilled holes per side shown at the arrows. This location is also beneath the lift points on top of the baler.
3. Install the four (two per side) 5/16" x 3" Allen head cap screws. Make sure the Allen heads are in the bale chamber.
4. Install the star wheels below the lift points on the baler. Ensure arrow diagram is followed on back of star wheel blocks.
5. Install the twine diverters over the star wheel sensor. Note: diverter with two extra holes needs to attach to star wheel with 6 position plug.
6. Secure the star wheels and twine diverters with two 5/16" hex nuts, and lock washers.
7. Attach harness (006-7307EM2) wires to star wheels and route to (IPM) module and connect.



## Installation of Star Wheel Moisture Sensors – 700BBHD

001-4644BBHD

1. Locate the two star wheel moisture sensors (030-4642U and 030-4642UE) and star wheel reinforcement brackets (001-4644BBHD) show on the right and parts bag (E)
2. The two pre-drilled mounting holes for the star wheels are located past the knotters on the side of the top support bar running the length of the bale chute (Figure 1).
3. Position the star wheel mounting holes and mark the width of the star wheel 4" (112mm). As well as the depth of the star wheel of 2" (50mm). This piece will need to be removed from the baler bracket in order for star wheel to fit flush with baler bracket (Figure 2). After cutting touch up with paint to prevent rusting.
4. Mount star wheel with two position plug on right side of baler when looking at the back. Mount star wheel with six position plug to left side or ladder side of baler. Use hardware from parts bag (E) to mount
5. Position reinforcement brackets (001-4644BHD) around the star wheel. Shown mounted in Figure 3. Repeat mounting the star wheel and installation of the reinforcement bracket on the right side of baler. Used supplied 3/8" x 3/4" Carriage bolts and flange nuts to secure
6. Attach harness (006-7307EM2) wires to star wheels and route to (IPM) module and connect to the square plug on it.

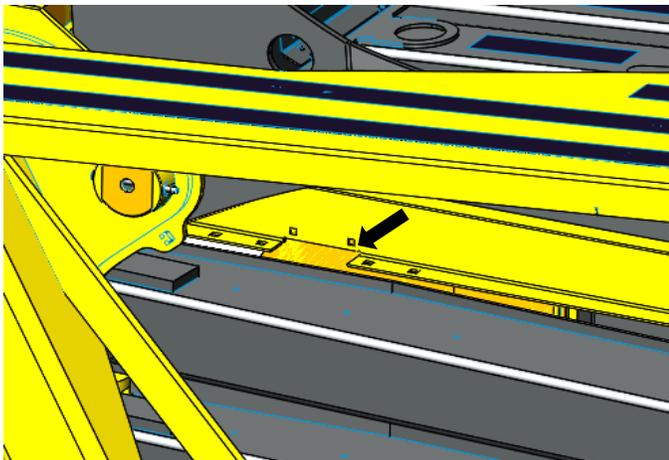
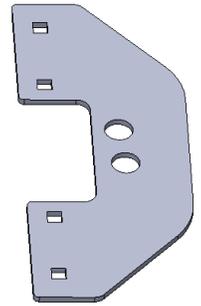


Figure 1

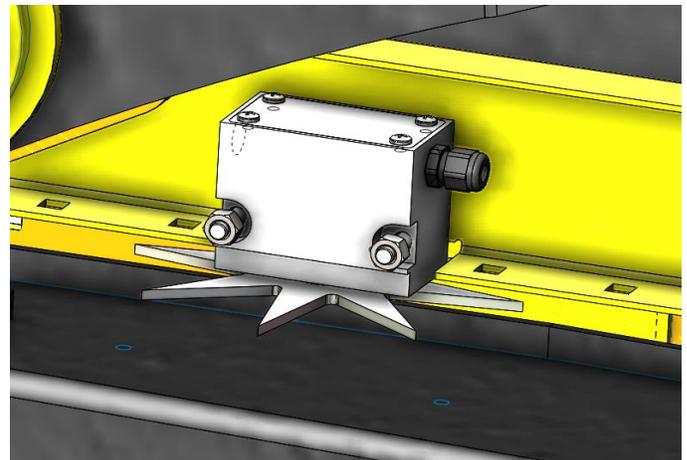


Figure 2

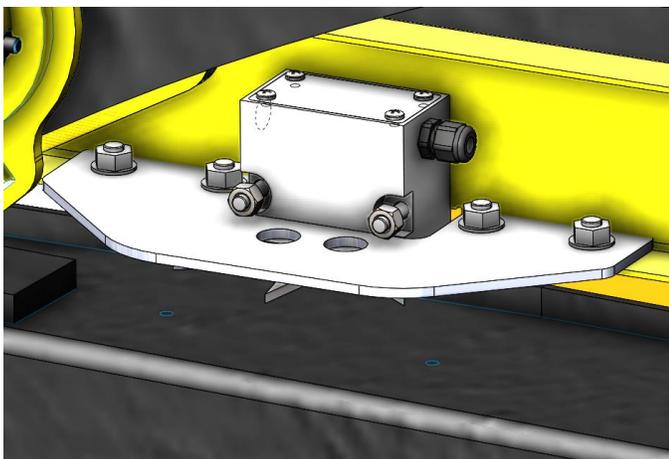
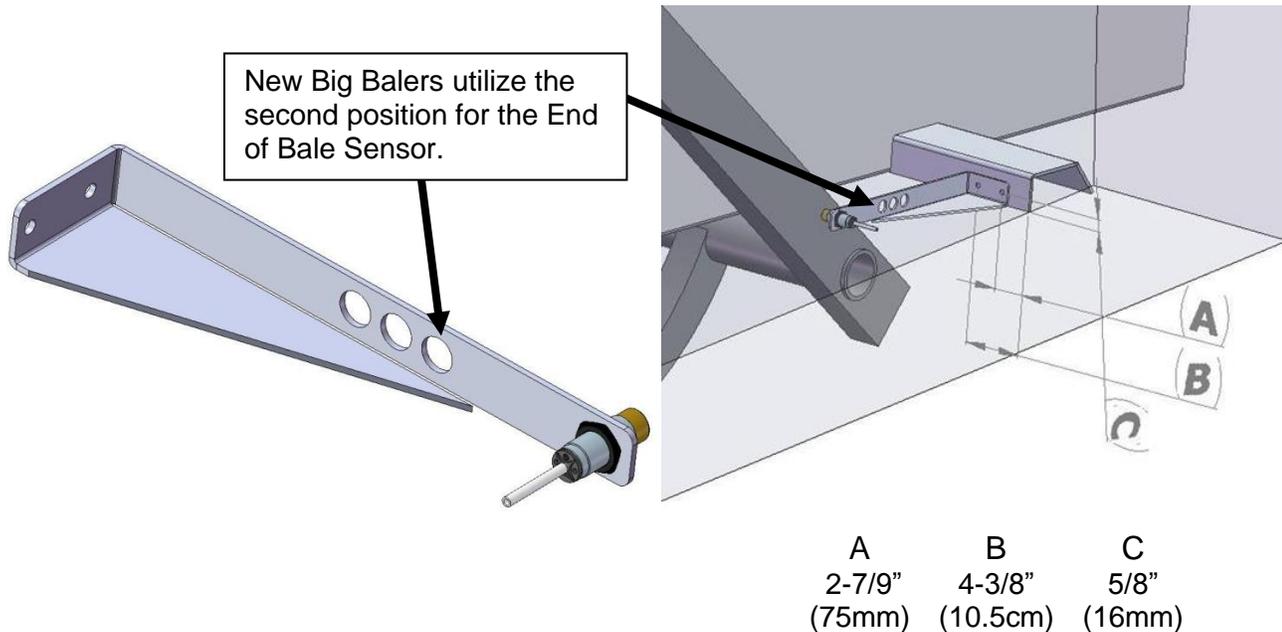


Figure 3

## Installation of End of Bale Sensor – 700BB

The end of bale sensor determines the position of the needles on the baler. When the needles cycle the sensor communicates this information to the Processor. This information is used for job records and will be used by the optional Bale Identification system.



Mount the end of bale sensor bracket (001-4648) as shown (above) on the ladder side of the baler (and same side as the main controller). Mark and drill two 3/8" (10mm) holes and attach the bracket using two 5/16" x 1" self-tapping screws, and 5/16" flange nuts. Keep the sensor 1/4" (7mm) from the needle and tighten both nuts.

New BB Balers have been installing the End of Bale Sensor in the second position and trimming off the excess steel. Run the sensor cable (006-7401) and extension (006-7401BBEXT) up to the main harness (006-765B) and attach it to the plug labeled (EOB) secure it properly out of the way of any moving parts and hydraulics.

## Installation of End of Bale Sensor – 700BBHD

There is not an end of baler sensor included with the 700BBHD system. The moisture unit will use the baler End of Bale sensor installed on the baler by retrieving the signal through the ISOBUS connection. Refer to the operation manual for setup details.

## Baler Interface Harness

A. Route harness 006-765B along this path or similar inside of the baler. Keep harnesses away from moving parts and hydraulic hoses. Secure with existing cable clamps or use cable ties. When all connections are made to the ISO Pump Module (IPM) secure wires to allow for water to be shed away from the IPM.

B. The Baler Power/Communication Harness (006-765B) will attach to the open port of the Tractor Harness (006-7651C) and run back to the ISO Pump Module (006-7671LS). Connect the large plug of the Baler Power/Communication Harness (006-765B) to the plug of the IPM.

C. Attach Baler Interface Harness (006-765VA) to the additional CAN port at front of baler. Make sure Active Terminator is removed from the back underside of the baler is attached to the Baler Interface Harness (006-765VA).

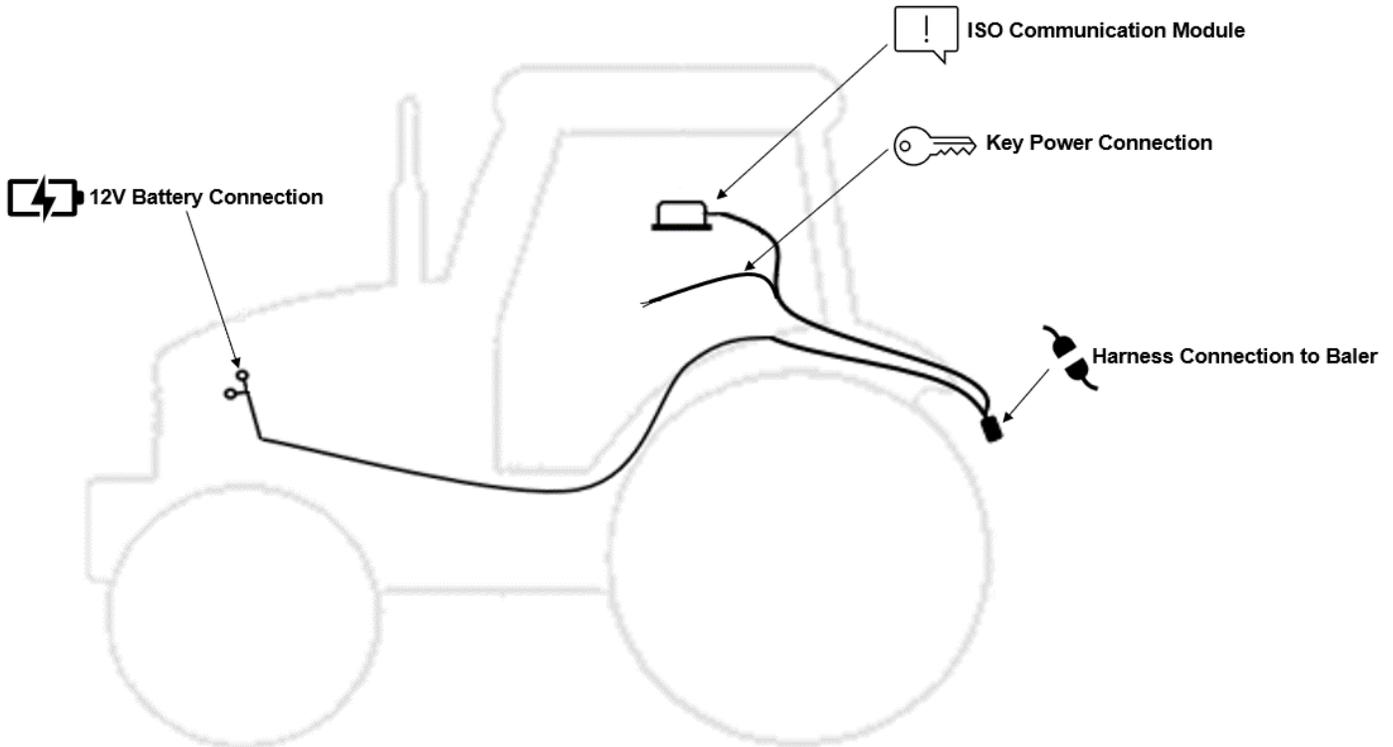
D. Once Baler Interface Harness is connected to the CAN plug, power up the applicator system and setup baler display settings to allow Harvest Tec applicator to communicate. See DISPLAY SETUP pages for further instruction on how to setup baler display settings.



Locate the CAN port on the baler and attach baler ISO integration harness (006-765VA) to that location.



## Tractor Setup



The general tractor setup of the 700 Series applicator can be seen above. The main harness of interest is the tractor power/communication harness (006-7651C). This harness will connect at the tractor battery, to the ISO Communication Module (ICM) mounted in the cab, a keyed power connection point, and connect at the hitch area to the baler power/communication harness (006-765B2). View below to see highlighted installation instruction:



### **12V Battery Connection**

The 12V battery connection must be at the tractor battery. Connection to alternative locations such as an accessory port can cause problems with applicator system.

**\*MUST BE CONNECTED DIRECT TO TRACTOR BATTERY TERMINALS\***



### **ISO Communication Module**

The ISO communication module is to be mounted inside the cab. Other mounting locations can lead to issues with weathering and operation. Once installed and the system is powered, a green light will turn on the ICM module.



### **Key Power Connection**

Ensure a solid keyed connection is found inside the cab and wired into. Poor keyed power connection can result in applicator system issues.



### **Harness Connection to Baler**

The tractor harness connects at the hitch to baler power/communication harness (006-765B2). This will allow the system components to communicate with one another. Ensure connections are debris and corrosion free.

## Display Options

### Optional Harvest Tec Display



The 700 series Harvest Tec Display will allow you to set your real time baling parameters to ensure the most precise application to every bale. This is done by utilizing the improved touch technology to select objects, enter data, and swipe through operational screens.

The Harvest Tec Display offers easy integration by connecting to the additional CAN plug on the 006-765IC harness. Once connected the Harvest Tec display will power up with applicator system.

**Note: The Harvest Tec Display must be used as a standalone display, the baler cannot run both integrated and on the Harvest Tec Display. Must be one or the other. Removal of the 006-765VA or integration harness is required when equipped.**

### Optional Tablet Display



The iOS or Android Tablet displays offer the ability to communicate with the 700 series applicator system via hard-wired connection to the ISO Communication Module (ICM). Through the free Precision Baling App, the operator can set real time baling parameters to ensure the most precise application to every bale. This provides a multi-use option while utilizing the improved app to select objects, enter data, and easily switch through operational screens. The Tablet Display offers easy integration by connecting a charging cable to the USB port on the ICM module. Once connected the Harvest Tec applicator will display upon opening the app and powering up the applicator system. Tablets can be used in addition to integrated baler VT display.

**\*Made for iPad® (3<sup>rd</sup> generation minimum) or Android Tablet (Does not work with Amazon Fire). Required to be running the most current operating system or one version previous.**

\*iPad is a trademark of Apple Inc., registered in the U.S. and other countries.

## Optional Baler VT Integration



The 700 series integration to the Baler VT allows for the ability to set your real time baling through the baler VT and monitor both baler settings and Harvest Tec system parameters on one screen to ensure the most precise application to every bale.

The 700 series offers easy integration by connecting to the additional CAN plug on the 006-765B harness. Once connected the Harvest Tec system will display with power up of the baler and applicator system.

## 700BB Baler Display Integration

The ISOBUS Monitor utilizes touch screen options to make selections. Selections are made by finding the desired selection and pressing the touch screen icon. All buttons are labeled and color coded.



## 700BB Baler Display Integration

When the 700 Series is connected to the baler and powered on the first time it is necessary to load the object pools to the Virtual Terminal (VT).

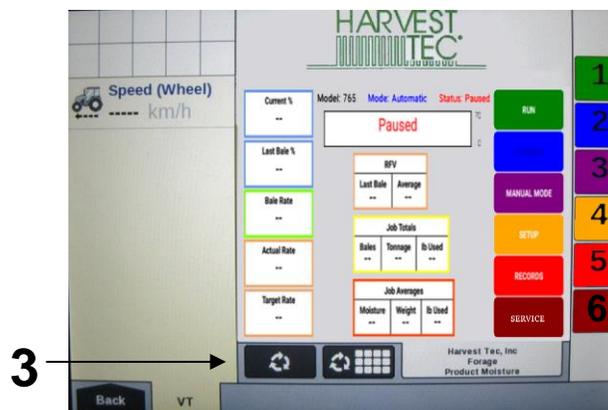


Icon (1) indicates that the object pools are in the process of loading and saving to the VT. Note that if the language selection of the VT is changed, the corresponding object pool must be reloaded to the VT. The object pool loading process takes approximately two minutes to complete.



Once the object pools have been loaded and Icon (1) disappears from the upper left corner of the display, press the NEXT IMPLEMENT button (2) and verify that the 700 Series object pools appear on the Virtual Terminal.

After verifying that the 700 Series object pool is loaded and the operating screens are displayed on the VT, press the NEXT IMPLEMENT button (3) to return to the baler work screen page.

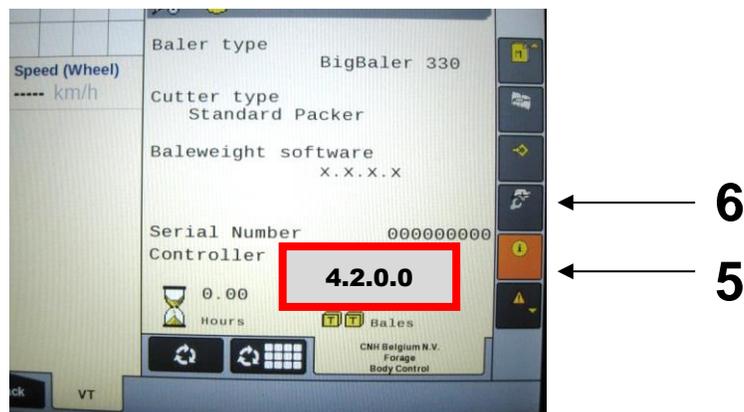


## 700BB Baler Display Integration (continued)

Press the bottom button of the Menu Bar with the down arrow in corner (4) on the side of the screen to continue down the Menu Bar below the USER SETTING icon.



Scroll through the Menu bar until the INFORMATION icon (5) is visible. Press the INFORMATION button so the Information page appears. Verify that the controller software loaded to the baler is version 4.2.0.0 or higher. If not, contact the dealer to update firmware in Baler Control Module (BCM). If the controller software displays version 4.2.0.0 or higher proceed to configuring the baler for the 700 series system by pressing the MACHINE SETUP button (6).

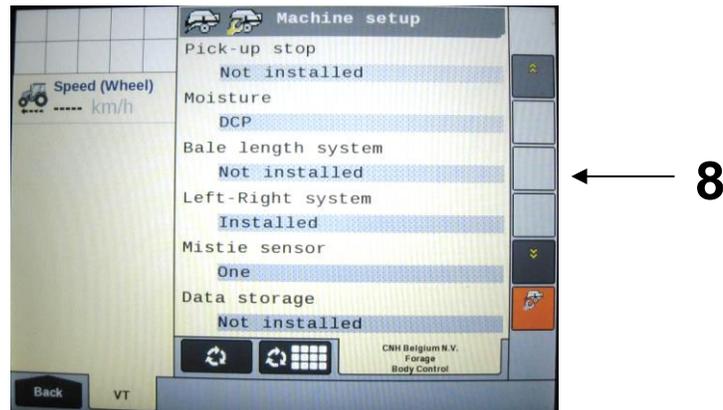


Once the MACHINE SETUP icon has been selected, the Machine Setup page will appear, and the icon will be backlit in orange. Press the MACHINE SETUP icon (7) again to go to the second page of the Machine Setup.



## 700BB Baler Display Integration (continued)

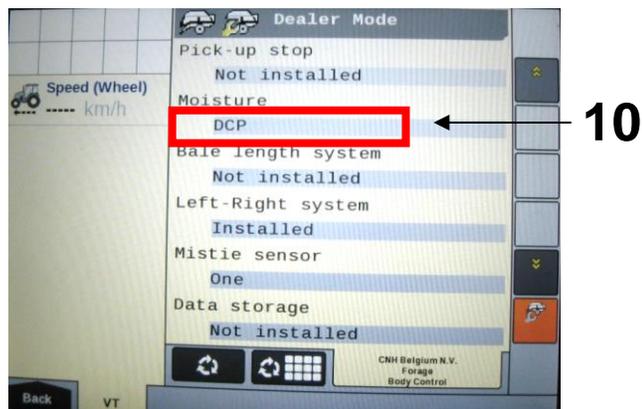
The second page of the Machine setup is identified by the three gray buttons in the Menu Bar. Press and hold the third gray button (8) for 10 seconds or until the display switches to displaying Dealer Mode.



Once Dealer Mode has been entered, select the down arrow in the Menu Bar (9) to scroll to the second Dealer Mode Screen where 'Moisture' is a selection.

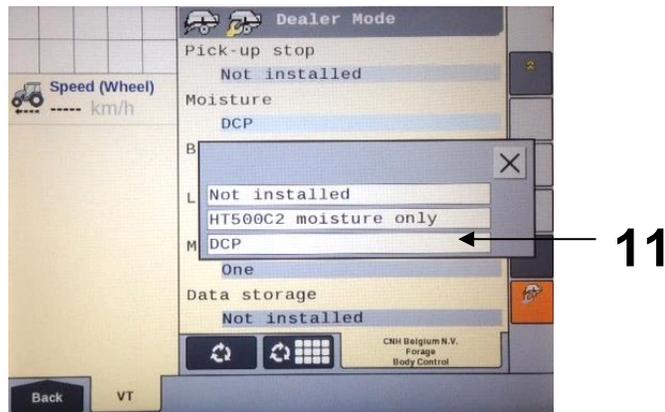


Once you have reached the second Dealer Mode screen, select the area under 'Moisture' (10). Note that the box below 'Moisture' will likely be the default "NOT INSTALLED".

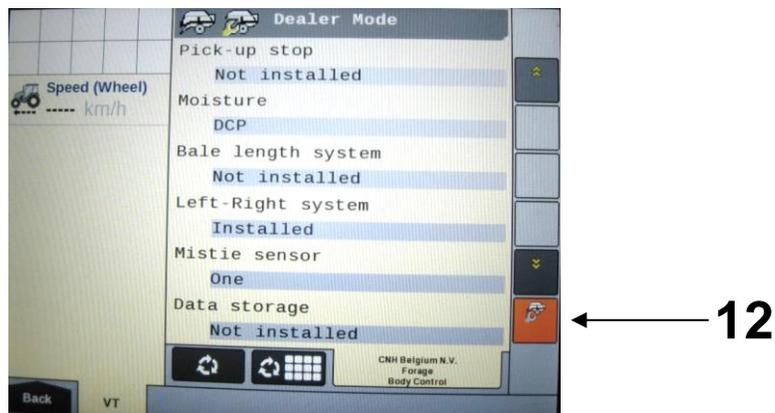


## 700BB Baler Display Integration (continued)

Select the proper configuration setting from the pop-up menu (11), based on the configuration of your 700 series system. This configuration setting allows the baler to properly display the information it is receiving from the 700 series system on the baler working screen. Select “DCP.”



Once the configuration has been set press the MACHINE SETUP icon (12) to return to the Machine Setup Screen and the Menu Bar.

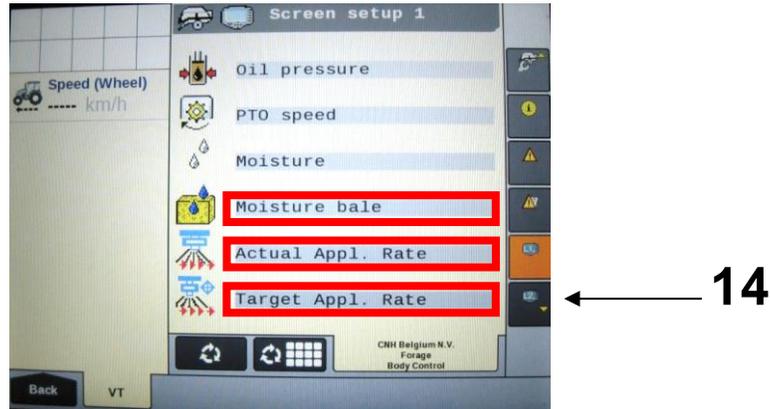


Press the arrow down button at the bottom of the Menu Bar (13) to scroll down thru the Menu Bar until you reach the SCREEN SETUP pages.



## 700BB Baler Display Integration (continued)

Select the icon for SCREEN SETUP 1 (14) so the Screen Setup 1 screen appears. Select how you would like to have the screen configured to show a combination of baler and 700 series system information by selecting the boxes. When you select one of the boxes, a pop-up screen will appear that shows the selections available.



Selections related to the 700 series system include Moisture, Moisture Bale, Target Application rate, and Actual Application Rate, and are highlighted by arrows above and in the next picture. Scroll to additional options in the popup window by pressing the down arrow on the side of the popup window (15).

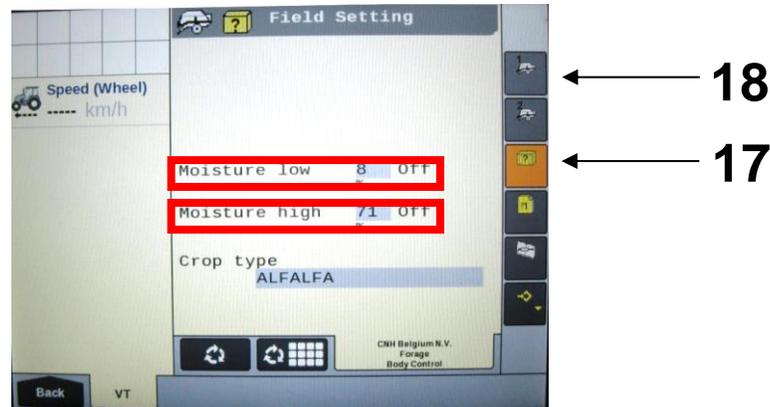


Once the Screen Setup pages have been configured, scroll back up to the top of the Menu Bar by pressing the top button in the Menu Bar with the up arrow (16).



## 700BB Baler Display Integration (continued)

Select the FIELD SETTING icon (17) and adjust the Moisture Alarm Settings in the Field Setting Screen. Note that the low moisture alarm must be set lower than the high moisture alarm. The moisture alarms can be turned off by setting the low setting <9% and the high setting >70%. When the alarms are turned off, they will say OFF next to the values. Select the MAIN SCREEN 1 icon (18) from the Menu Bar.



Verify that your MAIN SCREEN 1 and MAIN SCREEN 2 are configured as you would like them displaying the information you would like visible during operation. During operation, information for the 700 series system that you have chosen to display will be displayed on the Baler Work Screen.

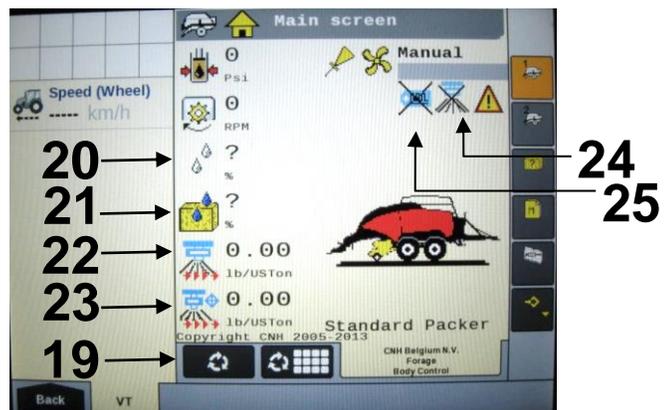
Cycle back and forth between the Baler Work Screen and the 700 Series System Work Screen by pressing the NEXT IMPLEMENT button (19) during operation.

Harvest Tec Icons signified by arrows 19-25 are as follows:

- (19) Next Implement Button
- (20) Moisture Content %
- (21) Last Bale Average Moisture Content %
- (22) Actual Application Rate of Preservative
- (23) Target Application Rate of Preservative
- (24) IPM Status Icon
- (25) Tagger Status Icon

The status icon (24) indicates the system is connected to the baler. An "X" over the status icon indicates the system is:

- A) Not in an application mode
- B) Paused through
  - a. Manual Pause
  - b. Hay Indicator Pause
  - c. Baler End of Row (EOR) Pause (PTO speed < 600 rpm)



When the Tagger Status Icon (25) is visible the system is indicating the Tagger is activated. When the system is not in application mode or has been paused there will be an "X" over the Tagger Status Icon.

**Refer to the Operation manual for the 700 Series Large Square Baler Models to view the operation details.**

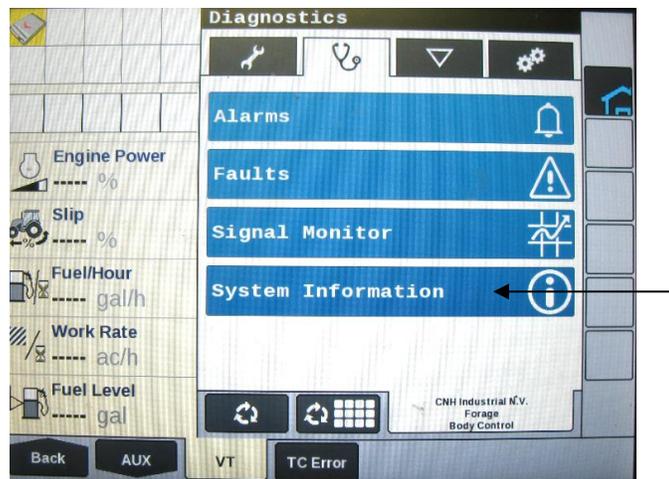
## 700BBHD Integration Instructions

Follow the steps below to setup the integration of the 700 Series into the Pro 1200 Series Monitor.

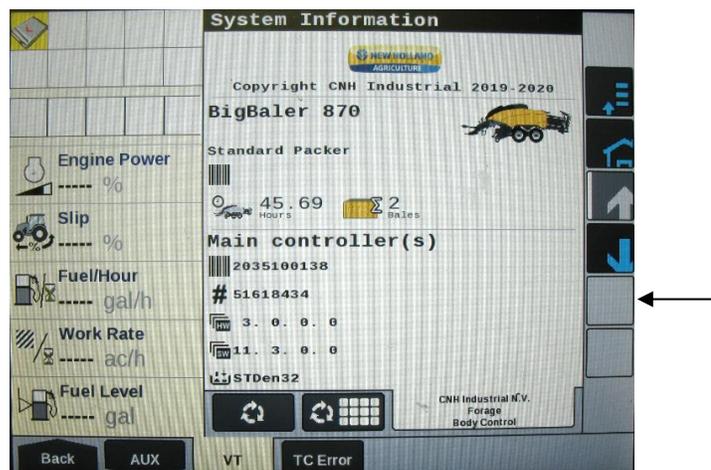
1. Select the baler Setup tab in the top right corner of the baler run screen.



2. Open the Diagnostics tab by pressing the (stethoscope icon) and select the System Information tab.

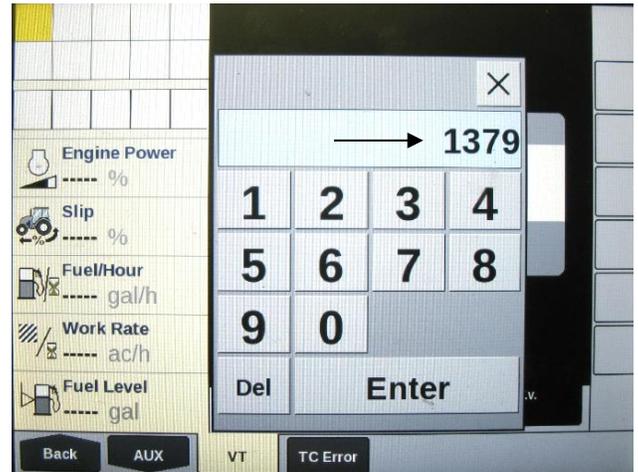
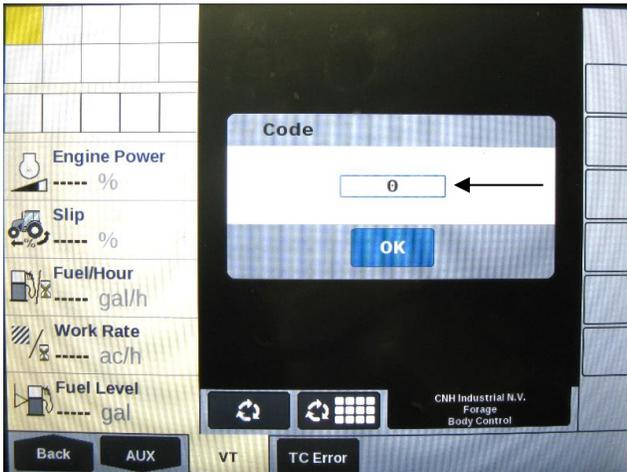


3. On the System Information page press and hold the first blank square box under the down arrow on the right side of the screen for 10 Seconds.

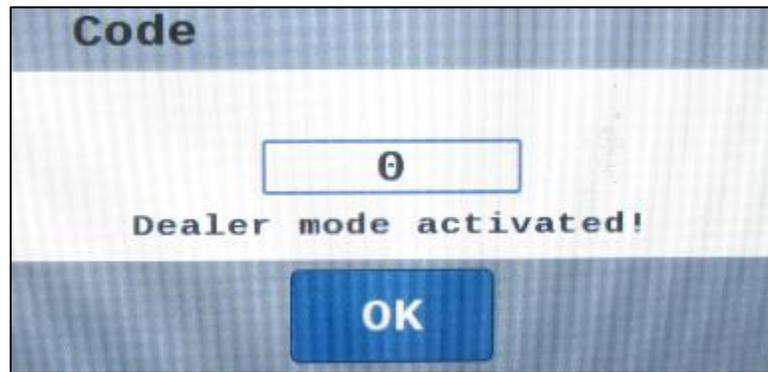


## 700BBHD Integration Instructions (continued)

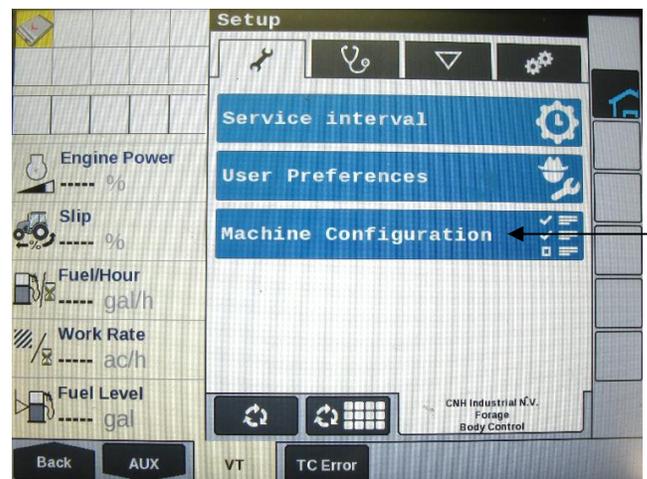
- After 10 seconds the first screen below will appear prompting you for a code. Press the '0' and enter the Code 1379 when the numbers appear.



The screen below will appear alerting you 'Dealer Mode Activated'. Press OK and go back to the balers home screen.

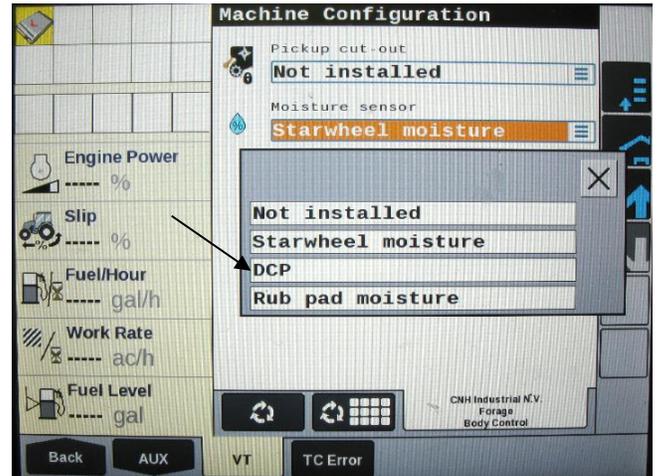
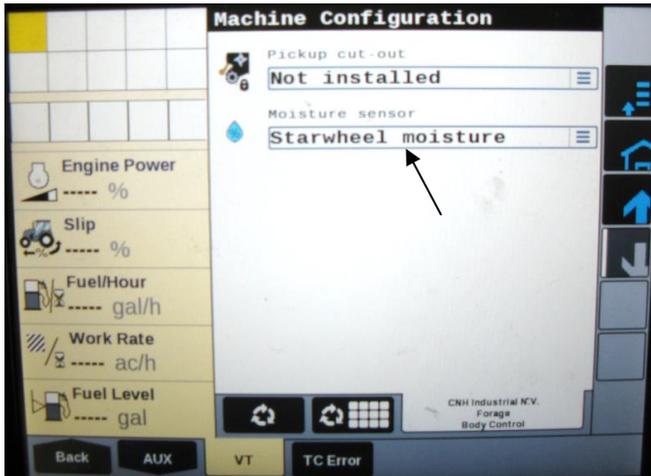


- Select the baler Setup tab in the top right corner of the baler run screen. Then press Machine Configuration from the baler setup page (wrench icon at top).

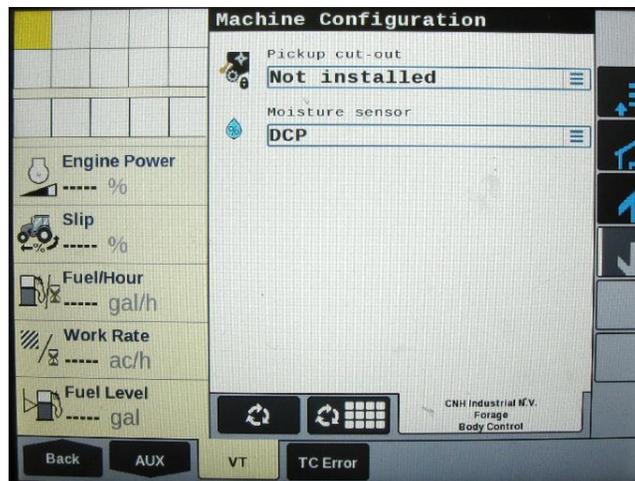


## 700BBHD Integration Instructions (continued)

6. Select the Moisture Sensor line on the Machine Configuration screen. On the next screen that appears select DCP from the drop down



The moisture sensor selection will now read DCP on the Machine Configuration page.



The current bale moisture content will now display above the baler next to the water droplet and the previous bale moisture will display next to the bale in above the are above the bale chute (below).

Previous Bale Moisture

Current Bale Moisture

**Refer to the Operation manual for the 700 Series Large Square Baler Models to view the operation details.**

## Wiring Diagram – 700 Series Moisture Only

1. Connect the power harness (006-765IC) to the tractor battery (12 volt) using the red wire with fuse to the positive side and the black wire to the negative.



- A. The power harness must be connected to the battery!  
CONTACT HARVEST TEC BEFORE MODIFICATIONS.**

*\*The unit will draw more amps than convenience outlets can handle. Any modifications of the power harness will void systems warranty\**

- B. This unit will not function on positive ground tractors.**

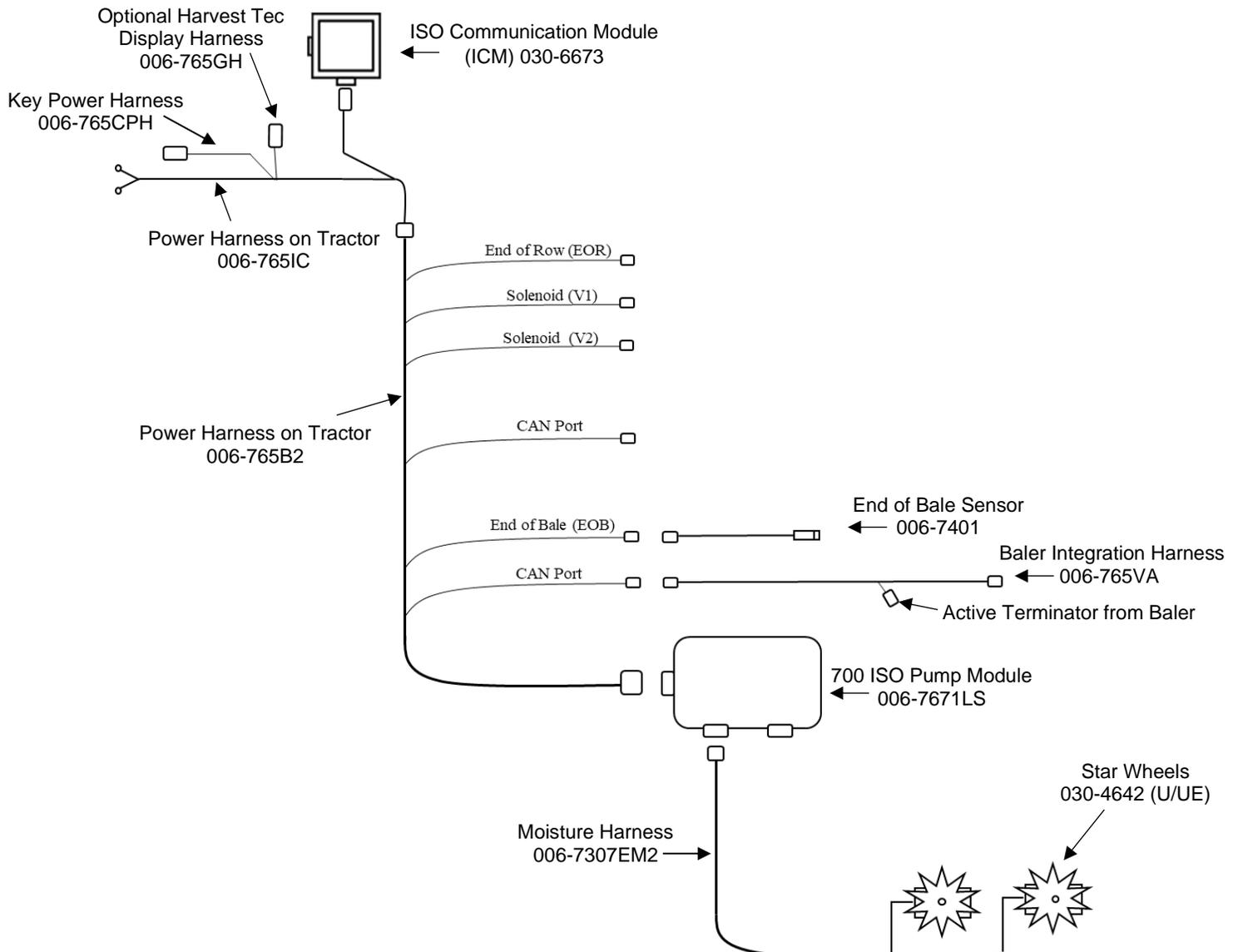
- C. If the unit loses power while operating it will not keep track of accumulated pounds of product used.**

2. The power harness on the tractor (006-765IC) will run from the tractor battery to the hitch. The power harness on the baler (006-765B2) will connect to the tractor power harness (006-765IC) at the hitch.
3. Connect the keyed power wire (006-765CPH) to a keyed power source on the tractor.

**The keyed power wire must connect to a keyed source or the unit will not power up correctly.**

4. Attach the ISO Communication Module (006-6673) to the tractor power harness (006-765IC).
5. Attach the End of Bale (EOB) connection on baler harness (006-765B2) to the EOB Sensor (006-7401).
6. Attach star wheel (030-4642 U/UE) connection to IPM.

## System Wiring Diagram

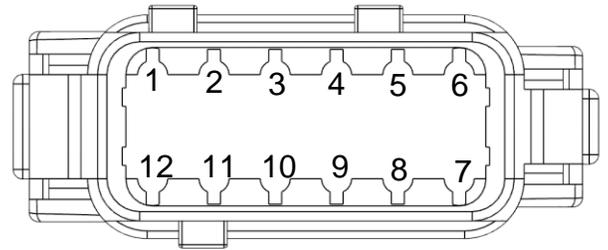


## Pin Outs

### Integrated Control Module (ICM) on harness 006-765IC

(Deutsch Plug Number: DTM06-12SA)

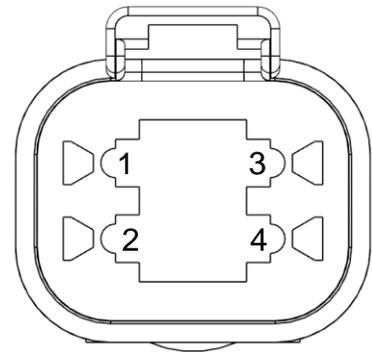
Pin 1	Red	+12V from ECU
Pin 2	Purple	Signal Wire
Pin 3	Red/White	+12V CAN X
Pin 4	Black/White	Ground CAN X
Pin 5	Orange	CAN X Hi
Pin 6	Blue	CAN X Lo
Pin 7	Green	ISO CAN Lo
Pin 8	Yellow	ISO CAN Hi
Pin 9	White	GPS Expansion 1
Pin 10	Gray	GPS Expansion 2
Pin 11	Brown	GPS Expansion 3
Pin 12	Black	Ground from ECU



### ISOBUS Plug on harness 006-765IC

(Deutsch Plug Number: DT04-4P)

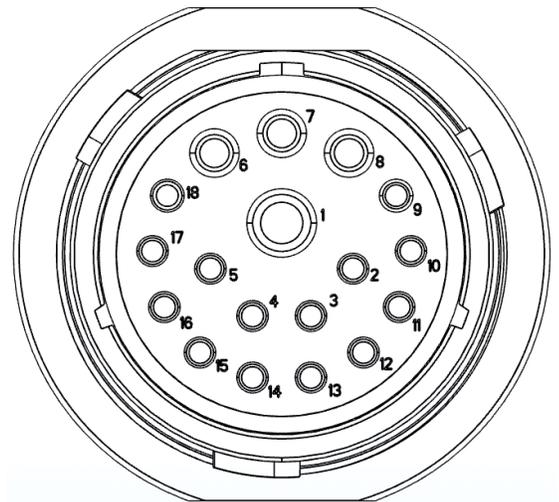
Pin 1	Red	+12V from ECU
Pin 2	Yellow	ISO CAN Hi
Pin 3	Green	ISO CAN Lo
Pin 4	Black	Ground from ECU



### Power / Communication Harness 006-765IC at Baler Hitch

(Deutsch Plug Number: HDP24-24-18PN)

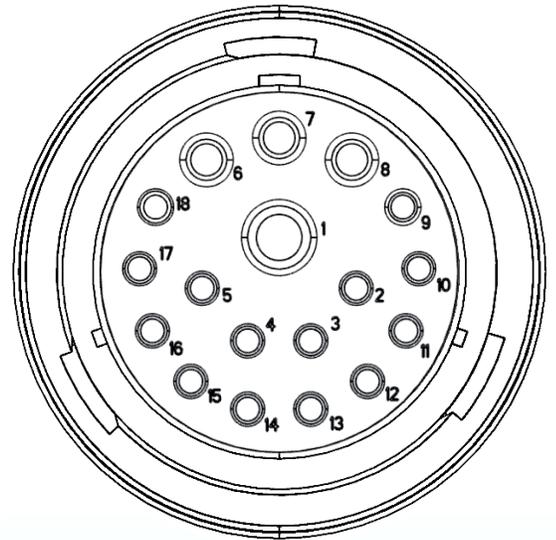
Pin 1	Not Used	----
Pin 2	Yellow	ISO CAN Hi
Pin 3	Green	ISO CAN Lo
Pin 4	Red	+12V Power to ECU
Pin 5	Black	Ground to ECU
Pin 6	Red	+12V From Battery
Pin 7	Not Used	----
Pin 8	Black	Ground From Battery
Pin 9	Not Used	----
Pin 10	Purple	Signal Wire
Pin 11	Red/White	+12V CAN X
Pin 12	Black/White	Ground CAN X
Pin 13	Orange	CAN X Hi
Pin 14	Blue	CAN X Lo
Pin 15	White	GPS Expansion 1
Pin 16	Gray	GPS Expansion 2
Pin 17	Brown	GPS Expansion 3
Pin 18	Not Used	----



## Pin Outs (continued)

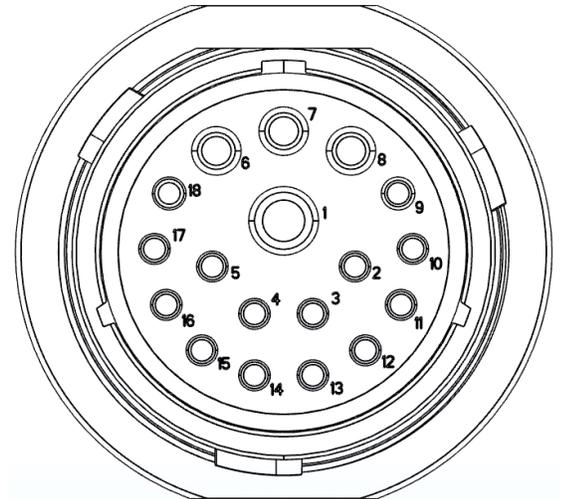
### Power / Communication Harness 006-765B at Baler Hitch IPM (Deutsch Plug Number: HDP26-24-18SN)

Pin 1	Not Used	----
Pin 2	Yellow	ISO CAN Hi
Pin 3	Green	ISO CAN Lo
Pin 4	Red	+12V Power to ECU
Pin 5	Black	Ground to ECU
Pin 6	Red	+12V From Battery
Pin 7	Not Used	----
Pin 8	Black	Ground From Battery
Pin 9	Not Used	----
Pin 10	Orange/White	+12V Power to EOR
Pin 11	Not Used	----
Pin 12	Not Used	----
Pin 13	Not Used	----
Pin 14	Not Used	----
Pin 15	Not Used	----
Pin 16	Not Used	----
Pin 17	Not Used	----
Pin 18	Not Used	----



### Power / Communication Harness 006-765B at IPM Module (Deutsch Plug Number: HDP24-24-18SN)

Pin 1	Not Used	----
Pin 2	Yellow	ISO CAN Hi
Pin 3	Green	ISO CAN Lo
Pin 4	Red	+12V Power to ECU
Pin 5	Black	Ground to ECU
Pin 6	Red	+12V From Battery
Pin 7	Not Used	----
Pin 8	Black	Ground From Battery
Pin 9	Not Used	----
Pin 10	Orange/White	+12V Power to EOR
Pin 11	Orange/Black	Ground to EOR
Pin 12	Purple/Green	EOR Signal
Pin 13	Blue/White	EOB Signal
Pin 14	Gray/Red	+12V Power to Solenoid 1
Pin 15	White/Black	Ground to Solenoid 1
Pin 16	Orange/Red	+12V Power to Solenoid 2
Pin 17	White/Black	Ground to Solenoid 2
Pin 18	Not Used	----

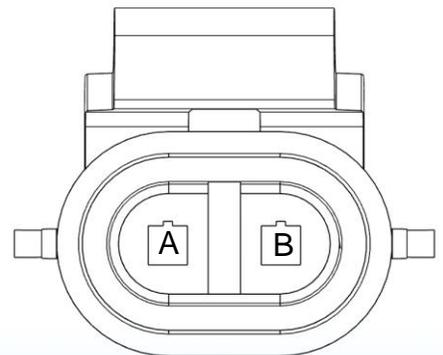


### Solenoid 1 Plug on Baler Harness 006-765B (Deutsch Plug Number: APTIV 12052641)

Pin B	Gray/Red	+12V to Solenoid 1
Pin A	White/Black	Ground to Solenoid 1

### Solenoid 2 Plug on Baler Harness 006-765B (Deutsch Plug Number: APTIV 12052641)

Pin B	Orange/Red	+12V to Solenoid 2
Pin A	White/Black	Ground to Solenoid 2

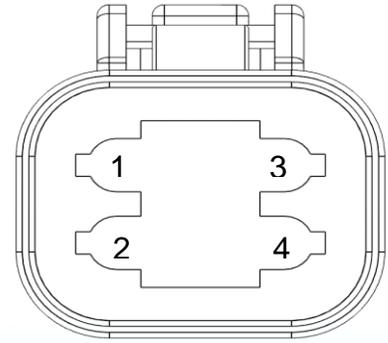


## Pin Outs (continued)

### CAN / IDM on Baler Harness 006-765B

(Deutsch Plug Number: DT06-4S)

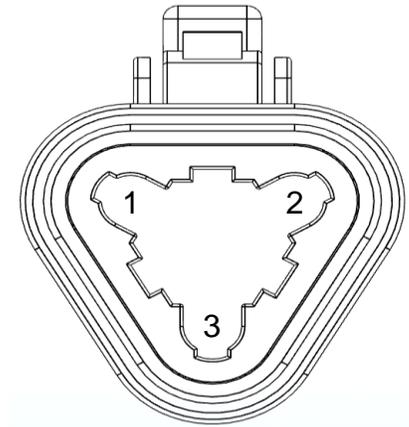
Pin 1	Red	+12V to ECU
Pin 2	Yellow	ISO CAN Hi
Pin 3	Green	ISO CAN Lo
Pin 4	Black	Ground to ECU



### End of Bale Sensor Plug on Baler Harness 006-765B

(Deutsch Plug Number: DT06-3S)

Pin 1	Orange/White	+12V to End of Bale Sensors
Pin 2	Orange/Black	Ground to End of Bale Sensors
Pin 3	Blue/White	Signal



### End of Row Sensors Plug on Baler Harness 006-765B

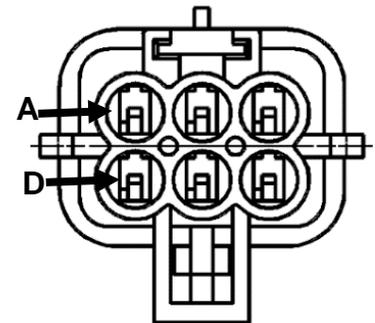
(Deutsch Plug Number: DT06-3S)

Pin 1	Orange/White	+12V to End of Bale Sensors
Pin 2	Orange/Black	Ground to End of Bale Sensors
Pin 3	Blue/White	Signal

### Integration Harness Plug on Baler Harness 006-765VA

(Plug: APTIV 12052848)

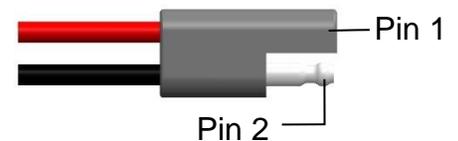
Pin A	Not Used	----
Pin B	Red	TBC Power
Pin C	Not Used	----
Pin D	Gray	TBC Ground
Pin E	Orange	CAN Hi
Pin F	Blue	CAN Lo



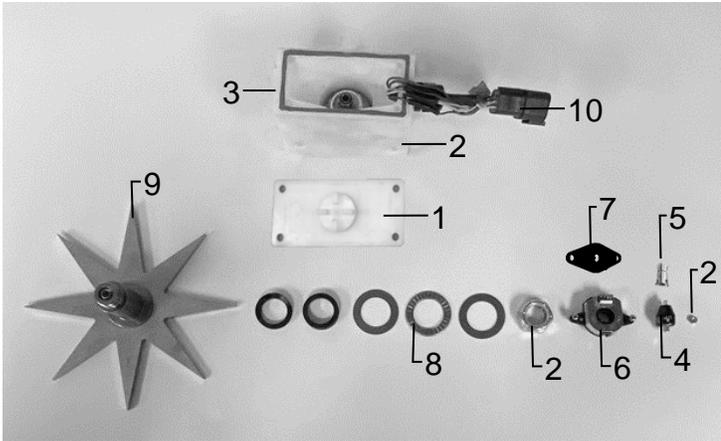
### Pump Connection on 700 Controller Harness

(16 AWG Two-Wire Plug)

Pin 1	Red	Power to Pump
Pin 2	Black	Ground to Pump

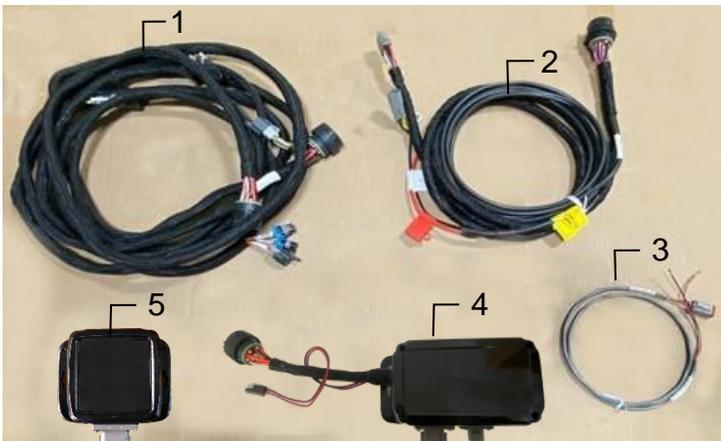


## Star Wheel Sensors



<u>Ref</u>	<u>Description</u>	<u>Part#</u>	<u>Qty</u>
1	Block Cover	006-4642UC	1
2	Star Wheel Block	006-4642UB	1
3	Star Wheel Gasket	006-4642UG	1
4	Electric Swivel	006-4642A	1
5	Swivel Insert	006-4642B	1
6	Encoder	006-4512E	1
7	Encoder Mount	006-4512P	1
8	Washers	006-4642K	1
9	Star Wheel	006-4641C	1
10	Encoder Harness (6 pin)	006-7307EM	1
NP	Moisture Harness (2 pin)	006-7307M	1
1-10	Star wheel assembly (w/ Encoder)	030-4642UE	1
1-5, 8,9, NP	Star wheel assembly (w/o Encoder)	030-4642U	1

## Control Box and Wiring Harnesses



<u>Ref</u>	<u>Description</u>	<u>Part#</u>	<u>Qty</u>
1	Power Lead Baler 20'	006-765B2	1
2	Power lead tractor	006-765IC	1
3	Key Switch Wire	006-765CPH	1
4	ISO Pump Module	006-7671LS	1
5	ISO Comm. Module	006-6673	1
NP	Integration Harness	006-765VA	1
NP	Dust Plug Kit	006-765DP	1
NP	Moisture Harness	006-7307EM2	1

## End of Bale Sensor Kit



<u>Ref</u>	<u>Description</u>	<u>Part #</u>	<u>Qty</u>
1	End of Bale Sensor	006-7401	1
2	End of Bale Ext.	006-7401EXT	1
	Complete Assembly	EOB-LS-STD	

## **Harvest Tec Inc. Warranty and Liability Agreement**

Harvest Tec, Inc. will repair or replace components that are found to be defective within 12 months from the date of manufacture. Under no circumstances does this warranty cover any components which in the opinion of Harvest Tec, Inc. have been subjected to negligent use, misuse, alteration, accident, or if repairs have been made with parts other than those manufactured and obtainable from Harvest Tec, Inc.

Our obligation under this warranty is limited to repairing or replacing free of charge to the original purchaser any part that in our judgment shows evidence of defective or improper workmanship, provided the part is returned to Harvest Tec, Inc. within 30 days of the failure. If it is determined that a non-Harvest Tec branded hay preservative has been used inside the Harvest Tec applicator system where the failure occurred, then Harvest Tec reserves the right to deny the warranty request at their discretion. Parts must be returned through the selling dealer and distributor, transportation charges prepaid.

This warranty shall not be interpreted to render Harvest Tec, Inc. liable for injury or damages of any kind, direct, consequential, or contingent, to persons or property. Furthermore, this warranty does not extend to loss of crop, losses caused by delays or any expense prospective profits or for any other reason. Harvest Tec, Inc. shall not be liable for any recovery greater in amount than the cost or repair of defects in workmanship.

There are no warranties, either expressed or implied, of merchantability or fitness for particular purpose intended or fitness for any other reason.

This warranty cannot guarantee that existing conditions beyond the control of Harvest Tec, Inc. will not affect our ability to obtain materials or manufacture necessary replacement parts.

Harvest Tec, Inc. reserves the right to make design changes, improve design, or change specifications, at any time without any contingent obligation to purchasers of machines and parts previously sold.

Revised 4/17

**HARVEST TEC, INC.**  
**P.O. BOX 63**  
**2821 HARVEY STREET**  
**HUDSON, WI 54016**  
PHONE: 715-386-9100  
1-800-635-7468  
FAX: 715-381-1792  
Email: [info@harvesttec.com](mailto:info@harvesttec.com)