

# Installation Manual

## ***Model 347P*** ***55-gallon Preservative Applicators***



---

P.O. Box 63 • 2821 Harvey Street • Hudson, WI 54016  
800-635-7468 • [www.harvesttec.com](http://www.harvesttec.com)

## DECLARATION OF INCORPORATION



**MANUFACTURER:**

Harvest Tec Inc.  
2821 Harvey St.  
P.O. Box 63  
Hudson, WI 54016, U.S.A.

**REPRESENTATIVE ESTABLISHED IN COMMUNITY:** Profitable Farming Company  
Middle Barlington, Roborough  
Winkleigh, Devon, EX19 8AG  
ENGLAND

The person above certifies and declares that:

**VIRTUAL MACHINE:** Equipment mounted on a farm press and for the application of inoculants onto forage crops.

**MODEL:** 347P-21-INST-Imp&Metric

**BRAND:** Harvest Tec

**SERIAL NUMBER:**

This application preservatives for hay Harvest Tec system meets the Directive 2006/42/EC of the European Parliament and the Council of 17 May 2006 and other applicable European Directives including Directive 2004/108/EC on the Electromagnetic compatibility.

The application of preservatives for hay Harvest Tec system will be turned on after being installed on a farm press has been declared in conformity with the Machinery Directive.

Person in the community authorized to provide information on the partly completed machinery and making this statement:

**Richard Snell, President, Profitable Farming Company**  
Signed on May 21, 2011: Middle Barlington, Roborough  
Winkleigh, Devon, EX19 8AG  
ENGLAND

# Harvest Tec 347P Installation Table of Contents

	<u>Page</u>
<b>Introduction</b>	<b>3</b>
<b>Tools Needed</b>	<b>3</b>
<b>Installation of Applicator</b>	<b>4-12</b>
Tank and Saddle Installation	4-5
Installation of Pump Manifold	6
Mounting Front Pump Plate Support	6
Installation of Control Manifold	7
Mounting Rear Pump Plate Support	7
Mounting Control & Pump Assembly	7
Installation of Moisture Sensor Pads and Disks	8-9
Installation of Drain / Fill Kit	9
Installation of End of Bale Sensor	10
Installation of Spray Nozzles	11
Installation of Plumbing	11
Installation of iPad Integration Control	12
iPad Integration Control Light Signals	12
<b>Wiring Diagram</b>	<b>13</b>
<b>Pin Outs</b>	<b>14-15</b>
<b>Parts Breakdowns</b>	<b>16-24</b>
Tank and Saddle	16
Parts Bag Packages	17
Pump Assembly	18
Moisture Sensors and Hoses	19
Control Box and Wiring Harnesses	20
End of Bale Sensor Kit A	20
Model 347C-SO Installation Kit	21
300 Solenoid Packages	21
Optional High Output Kit (300RBHTK)	22
Optional iPad Mini Mounting Kit	23
Optional iPad Display Kit	24
<b>Warranty Statement</b>	<b>25</b>

## Introduction

Congratulations and thank you for purchasing a Harvest Tec Model 347P applicator. Please read this manual carefully to ensure correct steps are taken to attach the applicator to the baler. This applicator is designed to apply Harvest Tec buffered propionic acid. Use of alternative products may cause complications. Including inaccurate readings from the flow meter and damage to all parts. Resulting in the warranty being void

**\*Made for iPad® (3<sup>rd</sup> through Pro 2<sup>nd</sup> generation), running the current iOS operating system or one version previous required for iPad option**

\*iPad is a trademark of Apple Inc., registered in the U.S. and other countries.

Hay App version must be **at least 2.7.1 (or higher)** to operate with the iPad Integration Module (030-6672C)

## **Tools Needed**

- Standard socket set
- Standard screwdriver or 5/16"
- Side cutter
- Hose cutter
- Crescent wrench
- Hammer
- Metal drilling and cutting tools
- Center Punch

## **Installation of Applicator**

### **Tank and Saddle Installation**

1. Locate the left saddle leg, 001-4703XPL, and mount to the left side of baler. Locate one leg shim bracket, 001-4703XS, and place in between the leg and side of the baler. Use three 1/2" x 1-1/4" hex bolts, 1/2" lock washers, and two 1/2" flat washers. Do not fully tighten.
2. Locate the right saddle leg, 001-4703XPR, and mount to the right side of baler. Locate one leg shim bracket, 001-4703XS, and place in between the leg and side of the baler. Use three 1/2" x 1-1/4" hex bolts, 1/2" lock washers, and two 1/2" flat washers. Do not fully tighten.
3. Tighten the hardware attaching the saddle legs, 001-4703XPL & 001-4703XPR, and legs shims, 001-4703XS, to the side sheets of the baler.
4. Install the tank assembly (tank, straps, handrail, and saddle pan) on the legs. Secure the saddle pan, 001-4703X, to the saddle legs with 1/2" flat washer, 1/2" lock washer, and 1/2" hex nut from the bottom side in four locations. Tighten hardware.
5. Locate the tank support bracket, 001-4703XPG, and mount between the bottom of the saddle pan, 001-4703X, and the sheet metal covering the air tank using two 3/8" x 1" hex bolts, 3/8" lock washers, 3/8" flat washers and 3/8" nuts.
6. Locate the beacon bracket, 001-4703XBM, and attach to the top of the right saddle leg, 001-4703XPR, using four 3/8" x 1" hex bolts, 3/8" flat washers, 3/8" lock washers, and 3/8" hex nuts.

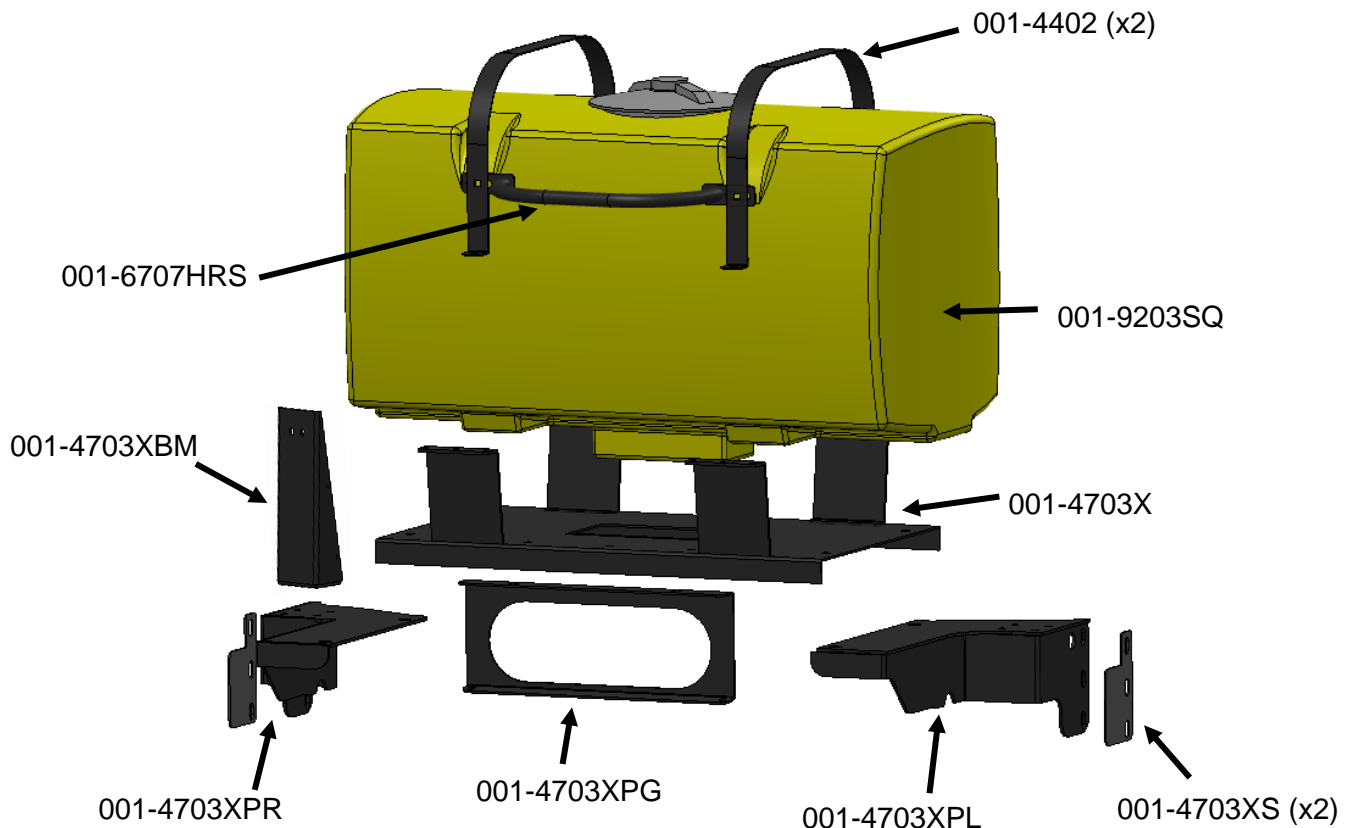
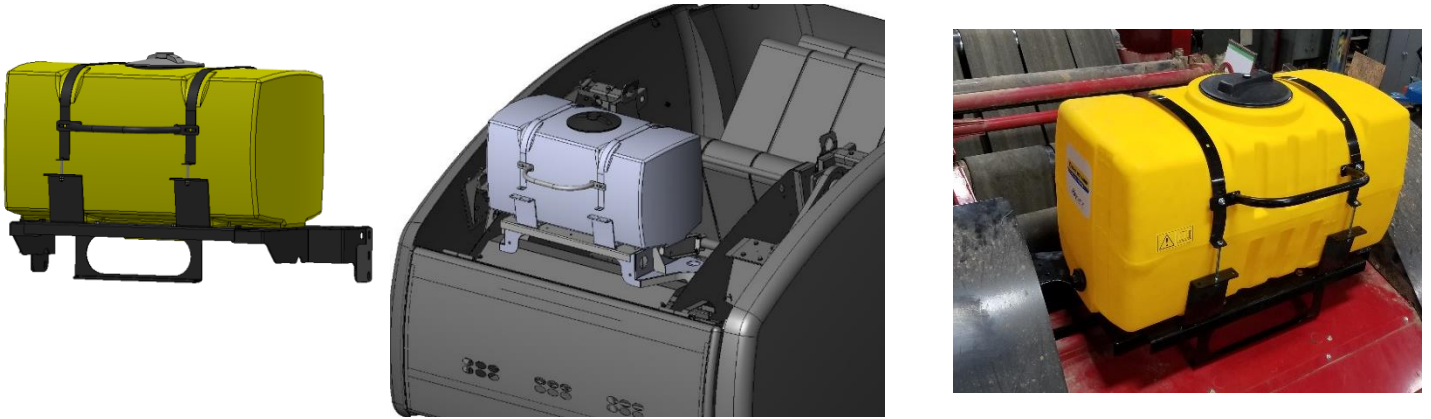


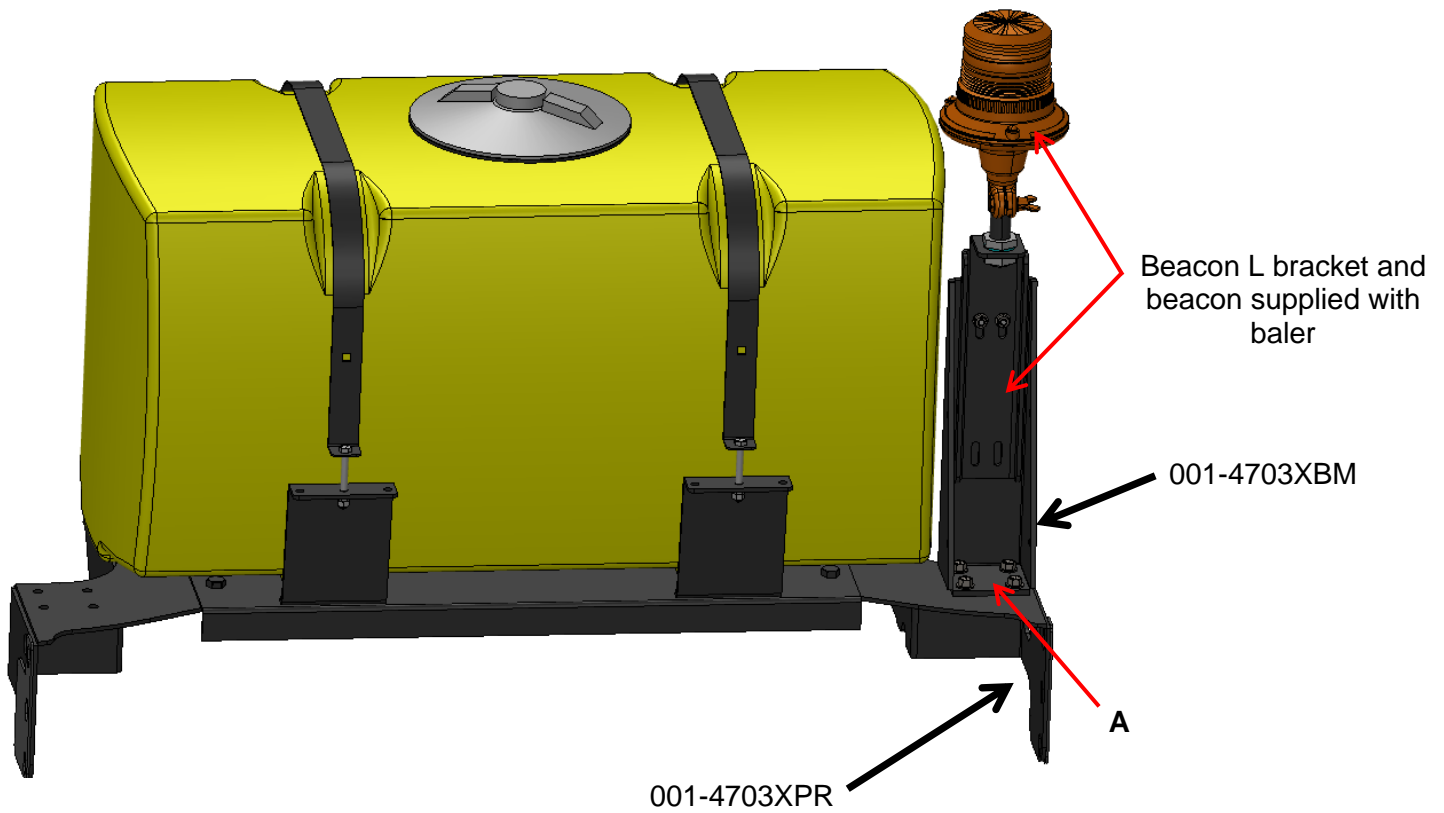
Figure 1

## Tank and Saddle Installation (continued)



## Installation of Optional Beacon

1. Bolt beacon L-Bracket to beacon support (001-4703XBM) using two 5/16" x 3/4" bolts and 5/16" flange nuts.
2. Secure beacon support to top of right saddle leg (001-4703XPR) at point A using four 3/8" x 1" hex bolts and flange nuts.



## Installation of Pump Manifold

### Mounting Front Pump Plate Support

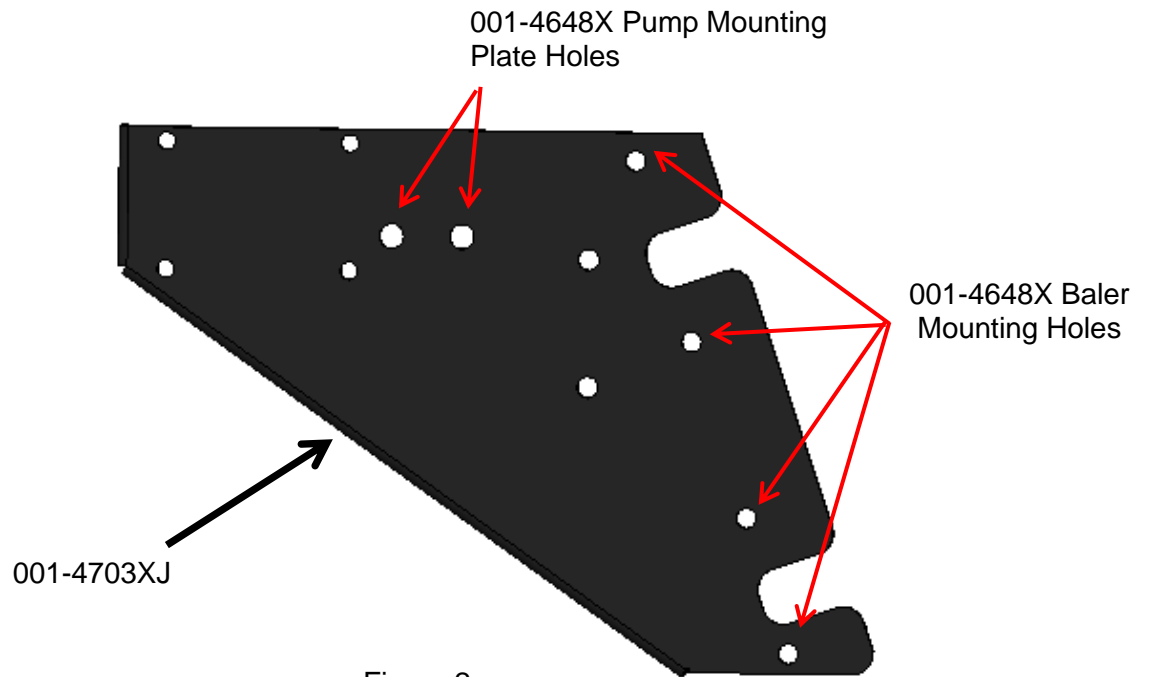


Figure 2

1. Open right-side door of baler.
2. Locate mounting holes for your size baler in bracket (001-4703XJ). Mount bracket to pre-stamped square holes on diagonal support structure of baler. Note pictures on following pages will help in locating the pre-stamped holes on your baler. Secure with two 5/16" x 1" hex bolts, flats, locks and nuts.

### Mounting Rear Bracket and U-Bolt Clamp

The mounting bracket 001-4703XK will be used to mount the rear of the pump plate bracket to the stub pipe shown in figure 5. Use two 3/8" x 1" bolts, flats, locks, and nuts to bolt them together. U-bolt around pipe shown in figure 5.

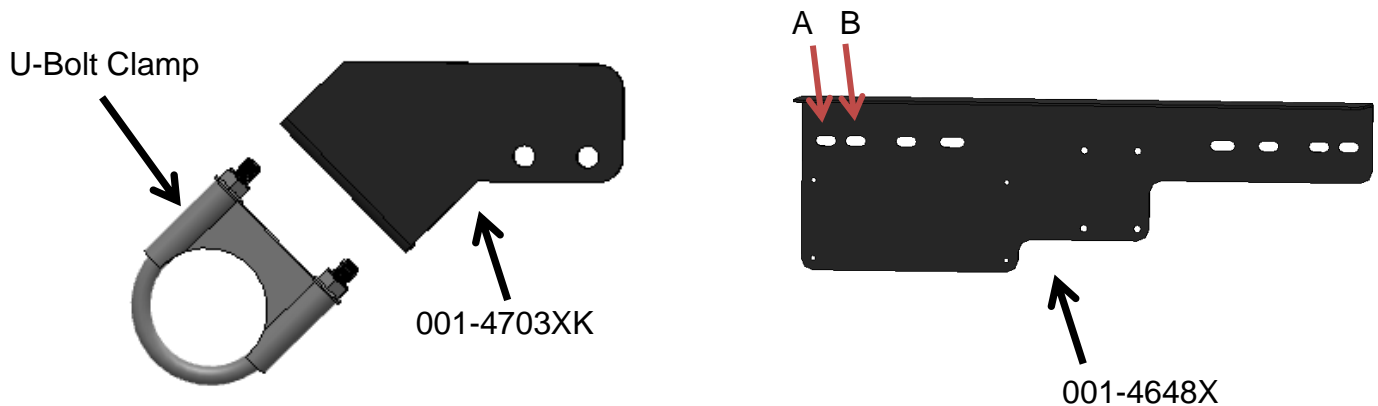


Figure 3

## Installation of Control Manifold

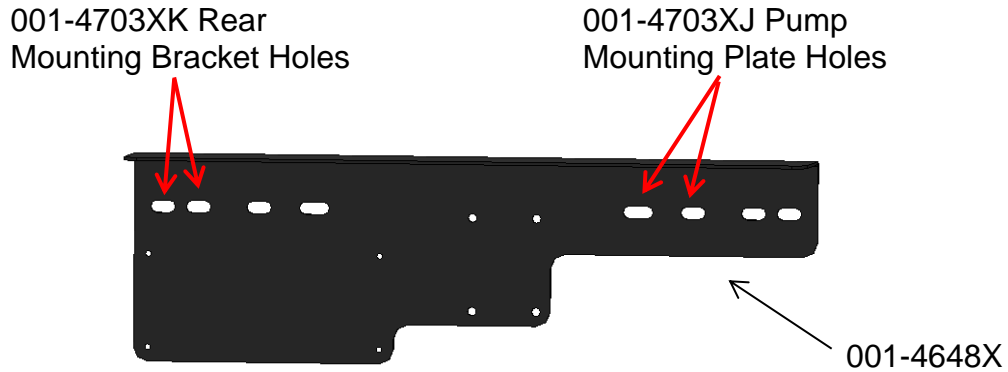


Figure 4

Use two 3/8" x 1" hex bolts, flat washers, lock washers, and nuts to secure Pump Plate Bracket (001-4703XJ) to back side of Pump Mounting Bracket (001-4648X). Use holes designated in Figure 4 on the Pump Plate Bracket (001-4703XJ). Slide the Pump Plate Bracket (001-4703XJ) so it touches the door support bracket. Attach pump plate with pump onto Mounting Plate (001-4648X) bracket with 3/8" x 1" bolts.

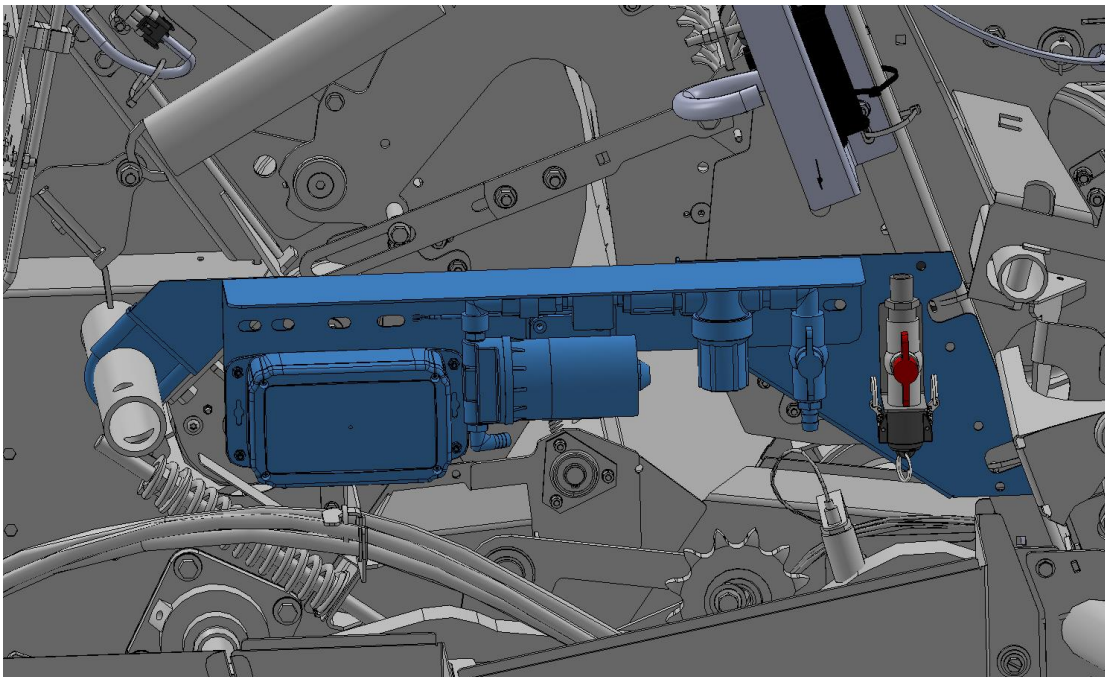


Figure 5

## Installation of Moisture Sensor Pads and Disks

1. Open rear tail gate of baler and lock in the up position. Refer to baler manual to lock door open.
2. Remove bale shaping discs on each side of chamber by grinding welds. Once removed grind any remaining welds so sides of bale chamber are smooth.
3. Place plastic isolator (006-4641FX) in the same spot that the shaping disc had been. There should be a hole in the baler that matches up with the hole in the plastic isolator. If not, use the isolator as a template and mark the hole. Center punch the hole and drill it to 3/4" (19mm). Note: before drilling make sure you are not drilling into sensitive equipment on the outside of the baler. Drill through the complete square tube, 2" (51mm) in size. Repeat for other side of the baler.
4. Insert plastic bushing (006-4641G) from the outside of baler. Make sure it is flush with the outside of the baler frame. Go to the inside of the baler and mark amount that protrudes into the chamber. Remove and cut off excess material. Repeat for other side.
5. Using 4" (102mm) carriage bolt slide the parts on in following order: metal disc (001-4641HX), plastic isolator (006-4641FX) and shortened plastic bushing (006-4641G).
6. Insert disc assembly into 3/8" (10mm) hole from inside of bale chamber. Secure to outside of baler by attaching to the protruding carriage bolt in the following order: small isolator (006-4641), 1/2" D shaped washer, 1/2" lock washer, 1/2" jam nut. Tighten down and repeat for the other side. Make sure no part of the bolt or hardware makes contact with the frame of baler-no metal to metal.
7. Route moisture harness (006-4640GX) from processor down to the carriage bolt on each side. Make sure it does not come in contact with any moving parts. Secure with cable ties.
8. Attach moisture cable to moisture carriage bolt by placing items in the following order: 1/2" D shaped washer, Ring terminal of moisture harness (006-4640G2), second 1/2" D washer, 1/2" lock washer, 1/2" Jam Nut. Tighten down and repeat for other side. Make sure none of the hardware comes in contact with the frame of the baler.

\*If there are Rotor Transition Kit (CNH part# 48093991) transition plates installed, they will need to be removed in order to install the moisture discs.

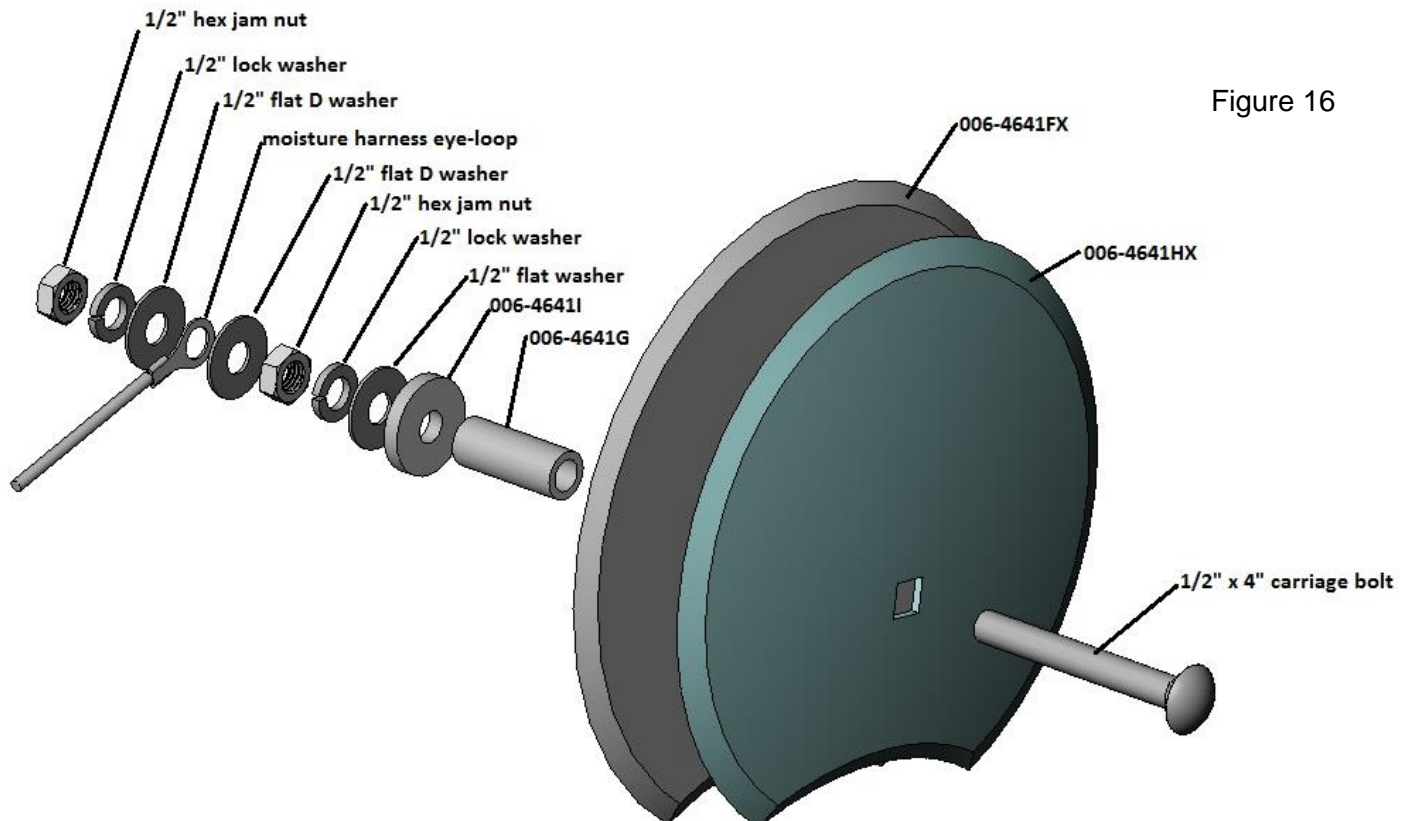


Figure 16



## Installation of Moisture Sensor Pads and Disks (continued)

OSR (over-shot)

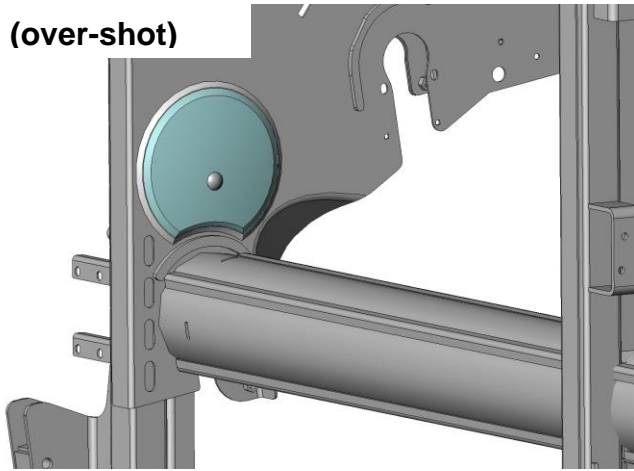


Figure 17

USR (under-shot rotor)

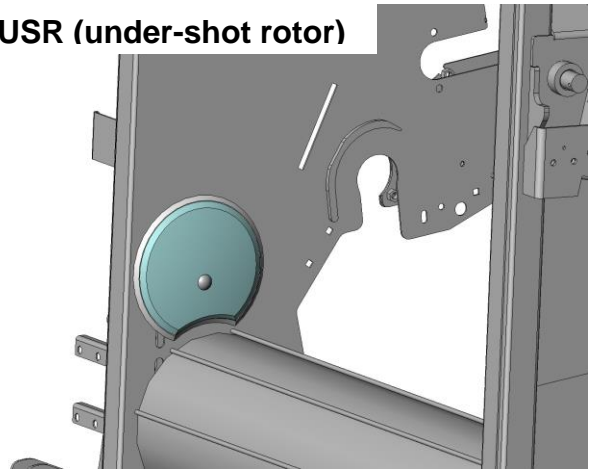
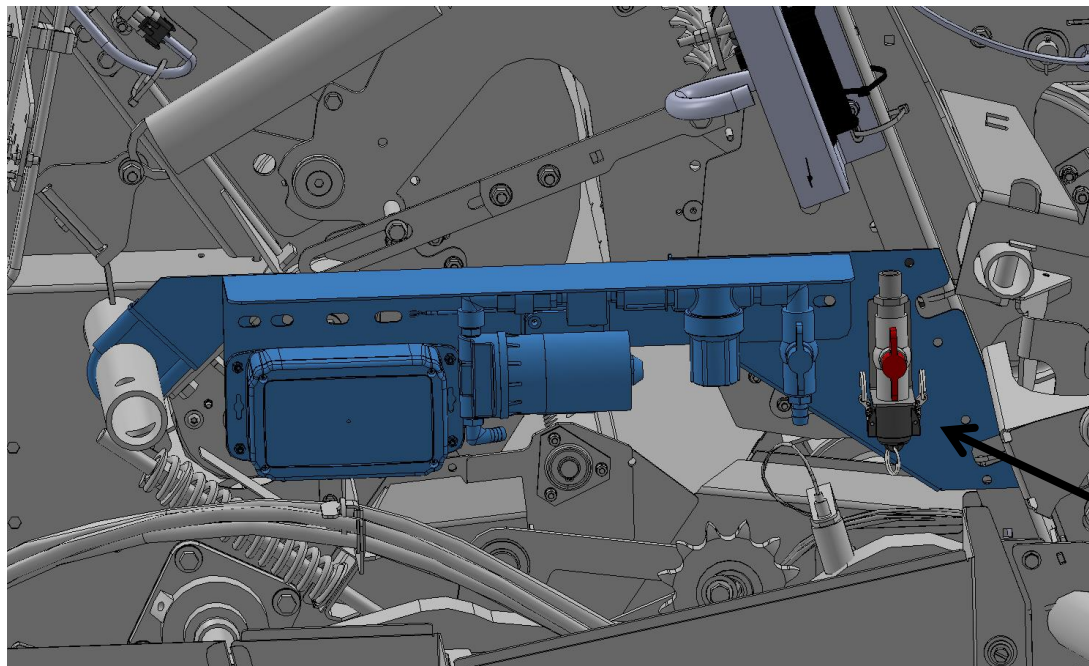


Figure 18

## Installation of Drain / Fill Kit

Locate parts bag 1. Thread 3/4" elbow fitting (003-EL3434) into end of tank. Run 3/4" hose from the elbow down the frame to the bottom of the baler. Locate the two holes on the baler's angled support bracket that line up with the holes in the valve bracket and attach using two 5/16" x 1" self-tapping screws and secure with two 5/16" flange nuts. Connect valve assembly to other end of hose. Place hose clamps on both ends. Install supplied safety decals (DCL-8001 & DCL-8005) next to the ball valve assembly.

\*Secure hose to frame using cable locks.



Location for attaching  
the drain fill bracket

Figure 19

## Installation of End of Bale Sensor

The bale rate timer sensor is used to determine when the baler door is open. With this information the system is able to change the tons/hour automatically (see Operating Instructions, Automatic Mode).

Locate the sensor (006-7400) and the sensor bracket (001-4648RB). On the right side of the baler find a location 1"– 6" down from the hinge to mount the bracket. Check for clearance with hydraulic cylinders before mounting the bracket. The bracket should be mounted to the front side of the hinge point, with the sensor aligned over the back door.

Mark and drill two 1/4" (7mm) holes and install the bracket using two 5/16" x1/4" self-tapping bolts.

Install the sensor into the bracket and leave 1/4" (7mm) of clearance between the end of the sensor and the door.

The harness will need to be routed towards the DCP. Secure with cable ties and take care to avoid pinch points. The harness extension (006-7400EXT) may need to be used.

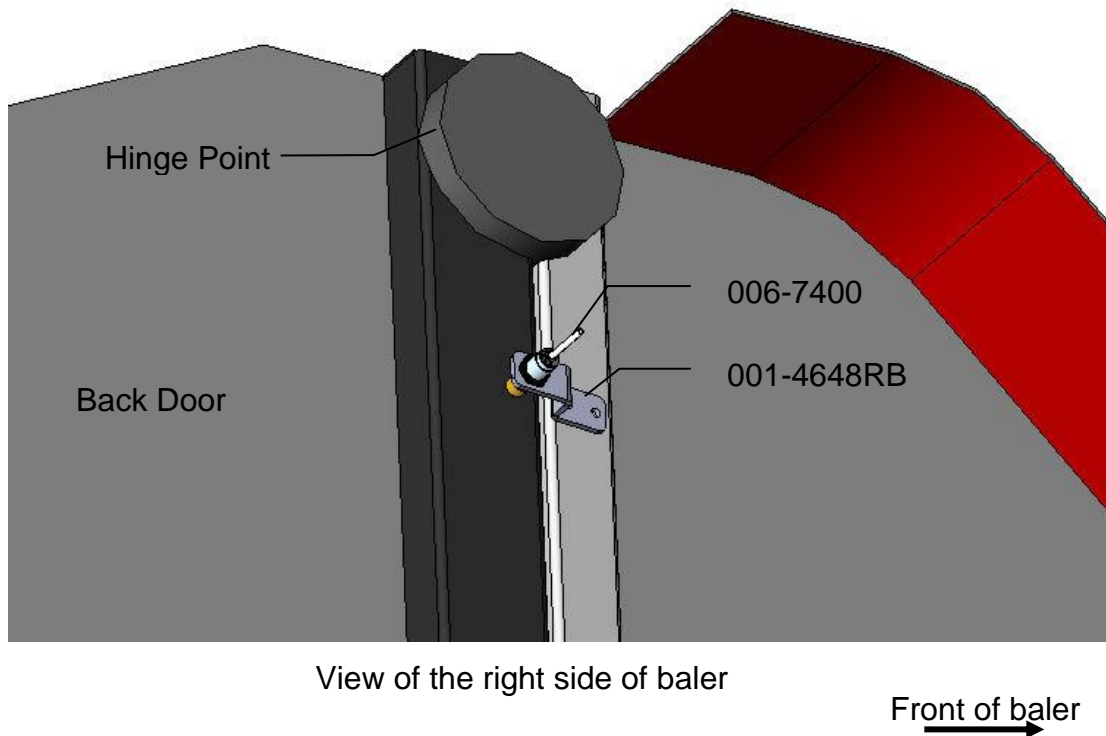
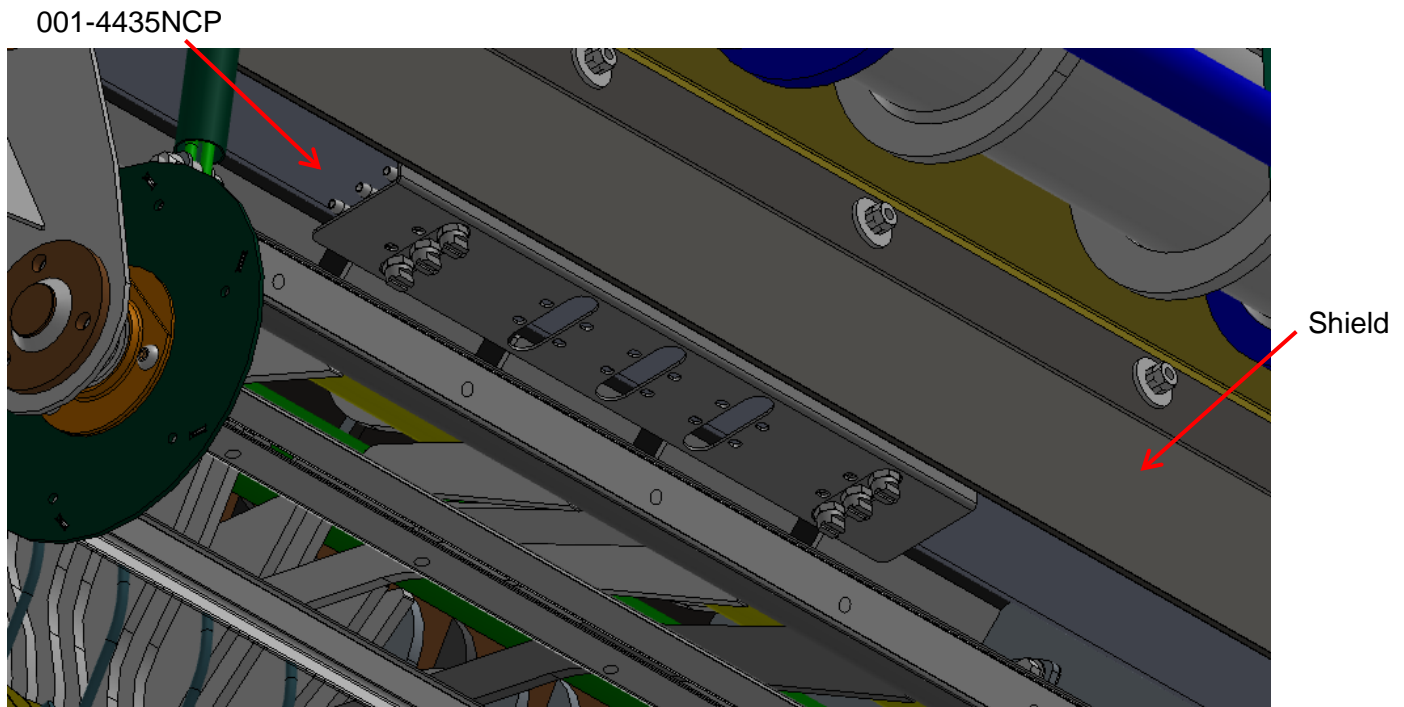


Figure 20

## Installation of the Spray Nozzle

1. Locate the shield under the frame.
2. Position the spray shield support (001-4435NCP) behind the shield with the formed flange to the rear.
3. Attach spray shield support to baler frame with one 3/8" x 1" bolt, lock washer, and nut on each side.
4. Insert pins of spray shield assembly into support and secure with two quick clips.
5. Adjust spray direction by swiveling spray shield support. Tighten.



**\*\*Refer to Tip Output under APPLICATION RATE of the control unit to calibrate system.**

## Installation of Plumbing

### A. Intake

Locate parts bag 16. Use the 003-EL3412 on the bottom of the tank to route 1/2" line (002-9001) to the 003-A1212 or 003-EL1212 fitting used on the ball valve attached to the pump plate. Attach hose clamps (003-9003) on both of the fittings.

### B. Discharge

Route the 1/2" hose from the pump output toward the front of the baler and connect to the solenoid assembly (SOL-3SP-B). Secure the solenoid assembly and hose along baler, positioning the solenoid as close to the spray tips as possible. Connect the 1/4" hose to the outgoing side of the solenoid to tip assembly.

### C. Standard and Low Output Tips

Your baler comes with two sets of tips: a low set and a high set.

-The low set will cover outputs of 60 - 300 lbs/hr (27-300 L/hr).

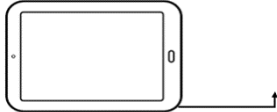
-The standard set will cover outputs of 48- 448 lbs/hr (21-203 L/hr).

## Installation of iPad Integration Control

Locate a safe location in the cab of the tractor to place the iPad Integration Control (030-6672C). Recommended location is securely fastened out of the operator's way in a location that is close enough to reach with the iPad cord.

Connect the Power / Communication harness (006-6650TM(E)) to the bottom of the receiver.

To operate the applicator, plug the iPad cord into the communication port indicated by:



## iPad Integration Control Light Signals

Green Slow Blink – Power supplied to the applicator system and the unit is going through its startup process. This will take approximately 25-35 seconds.

Green Double Blink – Indicating the iPad module recognizes the iPad but the app is not open or connected.

Green Solid Light – Module is connected to the app and is ready to operate.

\*Recommended to use the USB cable included with the applicator kit (006-6672USBC)

Hay App version must be **at least 2.7.1 (or higher)** to operate with the iPad Integration Module (030-6672C)

### \*Made for Apple iPad badge

Use of the Made for Apple iPad badge means that an accessory has been designed to connect specifically to the Apple product(s) identified in the badge and has been certified by the developer to meet Apple performance standards. Apple is not responsible for the operation of this device or its compliance with safety and regulatory standards.

Please note that the use of this accessory with an Apple product may affect wireless performance.

## Wiring Diagram – 347P

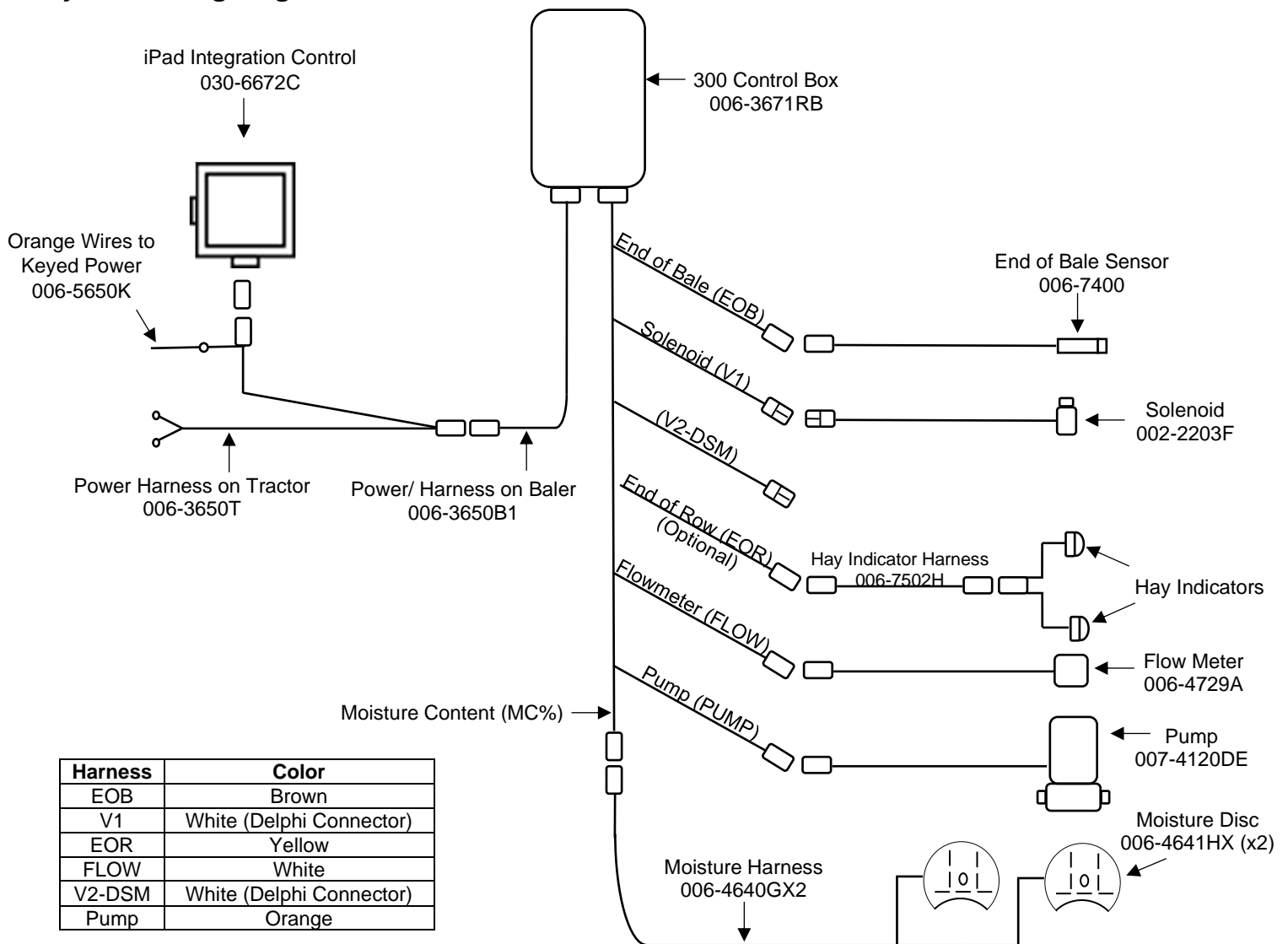
1. Connect the power harness (006-3650T) to the tractor battery (12 volt) using the red wire with fuse to the positive side and the black wire to the negative.



- a. **The power harness must be connected to the battery!** The unit will draw more amps than convenience outlets can handle. Any modifications of the power harness will void systems warranty. **CONTACT HARVEST TEC BEFORE MODIFICATIONS.**
- b. **This unit will not function on positive ground tractors.**
- c. **If the unit loses power while operating it will not keep track of accumulated pounds of product used.**

2. The power harness on the tractor (006-3650T) will run from the tractor battery to the hitch. The power harness on the baler (006-3650B1) will connect to the tractor power harness (006-3650T) at the hitch.
3. Connect the keyed power wire (006-5650K) to a keyed power source on the tractor. **The keyed power wire must connect to a keyed source or the unit will not power up correctly.**
4. Attached the iPad Integration Control (030-6672C) to the tractor power harness (006-3650T).
5. Attach the End of Bale (EOB) connection on the controller to the End of Bale Sensor (006-7400).
6. Attach the Solenoid (V1) (Delphi connector) connection on the controller to the wire from the solenoid (002-2203F). Note: If solenoid is connected to V2-DSM (not used) connection, solenoid will not work.
7. Attach the Flowmeter (FLOW) connection on the controller to the flowmeter (006-4729A).
  - a. Attach the spade connectors on the FLOW harness to the Pump (007-4120DE).

## System wiring diagram



## Pin Outs

### Power Harness 006-3650T at Tractor Hitch

Pin 1	Red	+12V Power to BLE
Pin 2	Red	+12V Power to THS
Pin 3	Orange	Keyed Power
Pin 4	Not Used	
Pin 5	Green	HT Can Low
Pin 6	Yellow	HT Can Hi
Pin 7	Not Used	
Pin 8	Black	Ground from BLE
Pin 9	Black	Ground from THS
Pin 10	Not Used	



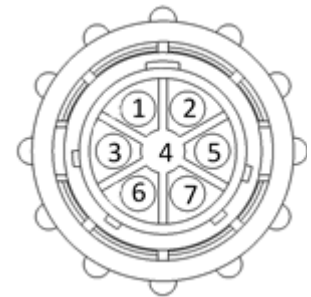
### Power Harness 006-3650B1 at Baler Hitch

Pin 1	Red	+12V Power to BLE
Pin 2	Red	+12V Power to THS
Pin 3	Orange	Keyed Power
Pin 4	Not Used	
Pin 5	Green	HT Can Low
Pin 6	Yellow	HT Can Hi
Pin 7	Not Used	
Pin 8	Black	Ground from BLE
Pin 9	Black	Ground from THS
Pin 10	Not Used	



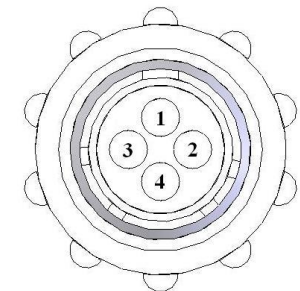
### iPad Integration Control / BLE on Harness 006-3650T

Pin 1	Red	+12V Power for BLE
Pin 2	Black	Ground for BLE
Pin 3	Yellow	HT Can Low
Pin 4	Not Used	
Pin 5	Green	HT Can Hi
Pin 6	Not Used	
Pin 7	Not Used	



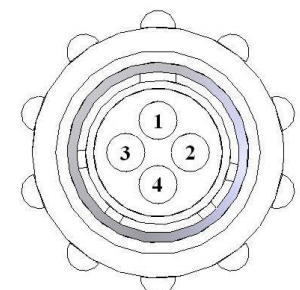
### End of Bale Sensor at 300 Controller Harness

Pin 1	Brown	Sensor Power
Pin 2	Blue	Sensor Ground
Pin 3	N/A	
Pin 4	Black	Signal from Sensor



### Flow Meter at 300 Controller Harness

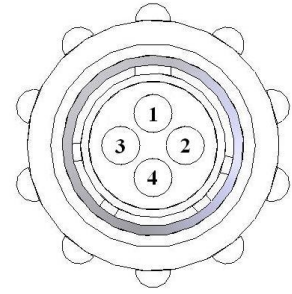
Pin 1	White	+5-12V Power
Pin 2	Brown	Ground
Pin 3	Green	Signal
Pin 4	Not Used	



## Pin Outs (continued)

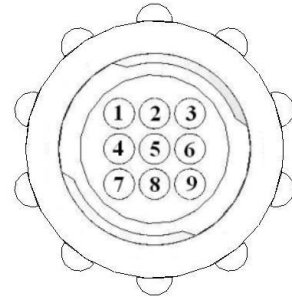
### End of Row Sensor at 300 Controller Harness

Pin 1	Red/White	+12V Power
Pin 2	Black/White	Ground
Pin 3	Yellow	Signal
Pin 4	N/A	



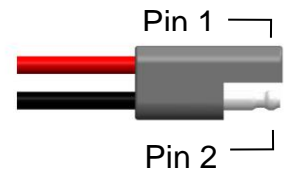
### Moisture Sensor connection at 300 Controller Harness

Pin 1	Not Used	
Pin 2	Not Used	
Pin 3	Not Used	
Pin 4	Not Used	
Pin 5	Not Used	
Pin 6	Not Used	
Pin 7	Not Used	
Pin 8	Blue	Signal for Sensor 1
Pin 9	Blue	Signal for Sensor 2



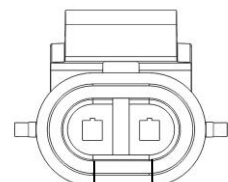
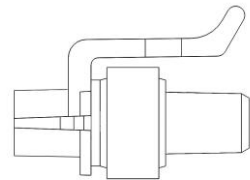
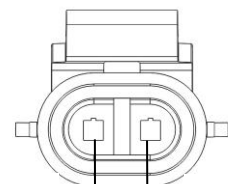
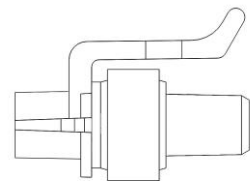
### Pump connection at 300 Controller Harness

Pin 1	Red	Power to Pump
Pin 2	Black	Ground to Pump



### Solenoid Connection at 300 Controller Harness

Pin A	Black	Solenoid Pause
Pin B	White	Solenoid Ground



Pin A      Pin B

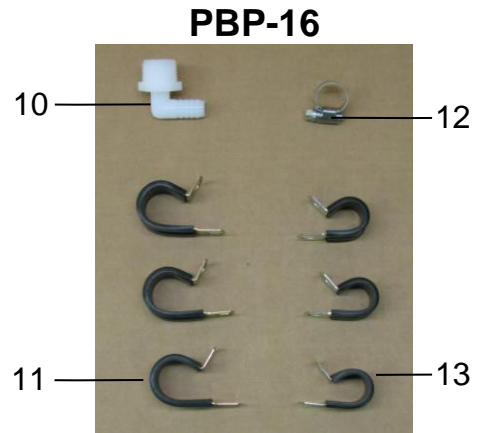
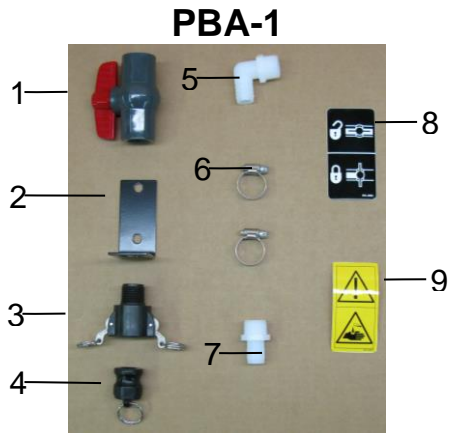
## Model 347P Base Kit



<u>Ref</u>	<u>Description</u>	<u>Part #</u>	<u>Qty</u>	<u>Ref</u>	<u>Description</u>	<u>Part #</u>	<u>Qty</u>
1	50 Gallon tank	030-9203SQ	1	7	Tank Support	001-4703XPG	1
2	Tank Strap	001-4402	2	8	Leg Shim	001-4703XS	2
3	Hand Rail	001-6707HRS	1	9	Beacon Bracket	001-4703XBM	1
4	Saddle	001-4703X	1	10	Tank Cap and Gasket	005-9022H	1
5	Left Tank Leg	001-4703XPL	1				
6	Right Tank Leg	001-4703XPR	1		Tank Kit Assembly	030-0447P-TK (1-10)	

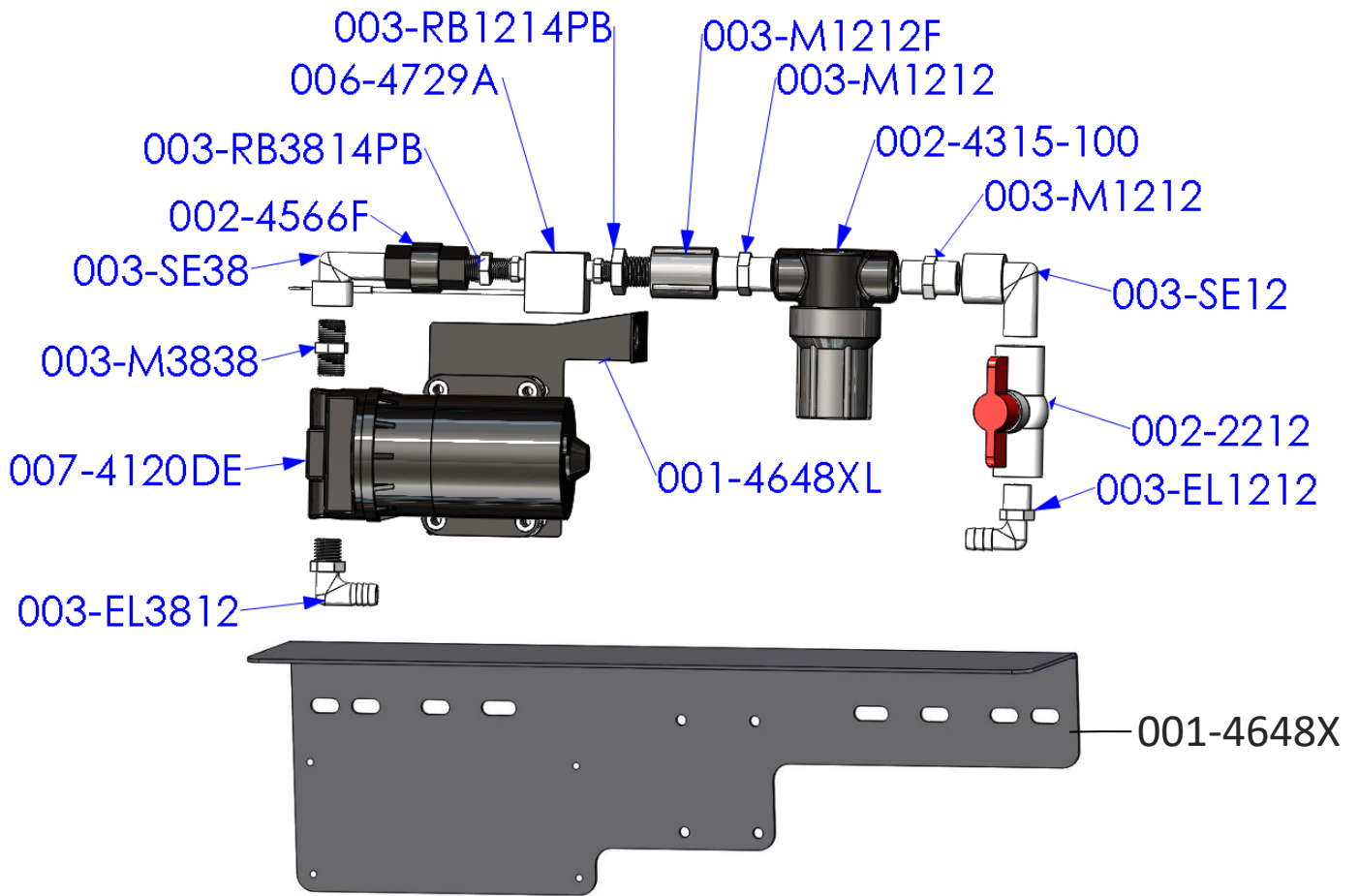


## Parts Bag Packages



<u>Ref</u>	<u>Description</u>	<u>Part #</u>	<u>Qty</u>	<u>Ref</u>	<u>Description</u>	<u>Part #</u>	<u>Qty</u>
1	3/4" Ball Valve	002-2200	1	10	3/4" x 1/2" Elbow	003-EL3412	1
2	Valve Holder	001-6702H	1	11	3/4" Jiffy Clip	008-9010	3
3	Female Coupler	002-2204A	1	12	#6 Hose Clamp	003-9003	1
4	Male Shut-Off Plug	002-2205G	1	13	Small Jiffy Clip	008-9009	3
5	3/4" x 3/4" Elbow	003-EL3434	1				
6	#10 Hose Clamp	003-9004	2				
7	3/4" x 3/4" Straight Fitting	003-A3434	1				
8	Valve Decal	DCL-8004	1				
9	Chemical Hazard Decal	DCL-8001	1				
	Complete Drain Fill Kit	030-0493DFK					

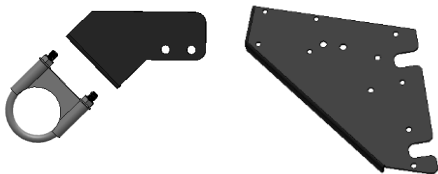
## Parts Breakdown for Pump Assembly



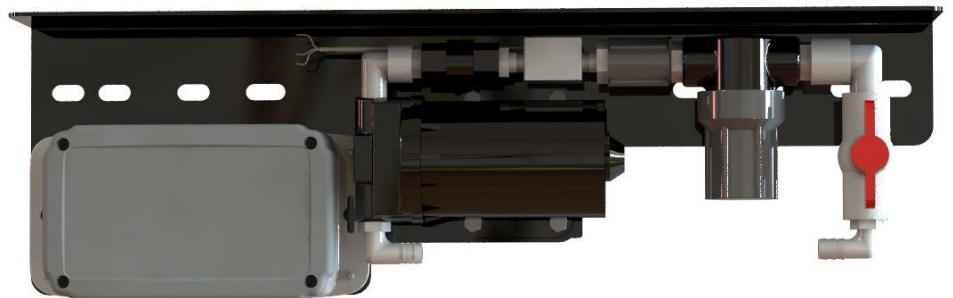
<u>Part#</u>	<u>Description</u>	<u>Qty</u>	<u>Part#</u>	<u>Description</u>	<u>Qty</u>
003-EL3812	3/8" MPT X 1/2" HB Elbow	1	003-M1212	1/2" Union	2
007-4120DE	300 Series Pump	1	002-4315-100	1/2" Line Strainer-100 Mesh	1
003-M3838	3/8" x 3/8" Union	1	003-SE12	1/2" Street Elbow	1
003-SE38	3/8" Street Elbow	1	002-2212	1/2" Ball Valve	1
002-4566F	3/8" Check Valve	1	003-EL1212	1/2" MPT x 1/2" HB	1
003-RB3814PB	RB 3/8" x 1/4" Reducer	1	001-4648XL	300 Pump Support	1
006-4729A	Flow Meter – Block Style	1	001-4648X	Pump Plate Mount	1
003-RB1214PB	RB 1/2" x 1/4" Reducer	1	003-A1212	Not Pictured	
003-M1212F	1/2" Coupler	1	003-A3812	Not Pictured	

Pump Assembly PMP-3636P (001-4648X Not Included)

Pump Plate Support 001-4703XJ  
 Rear Bracket 001-4703XK  
 U-Bolt Clamp (001-4703XU)

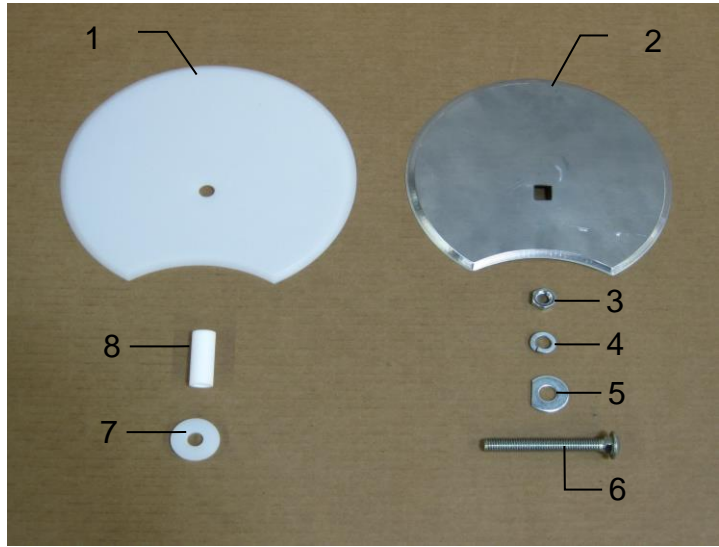
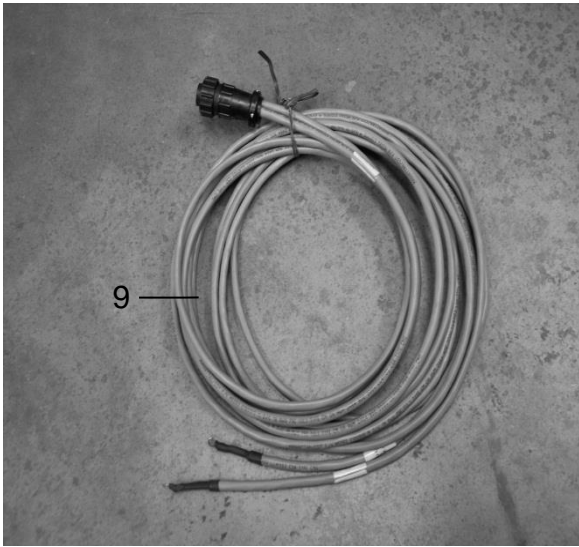


## Completed Assembly



\*Note: Due to alternative baler designs, elbow 003-EL3812 can be replaced by straight fitting 003-A3812. As well as elbow 003-EL1212 can be replaced by straight fitting 003-A1212. Both straight fittings are included.

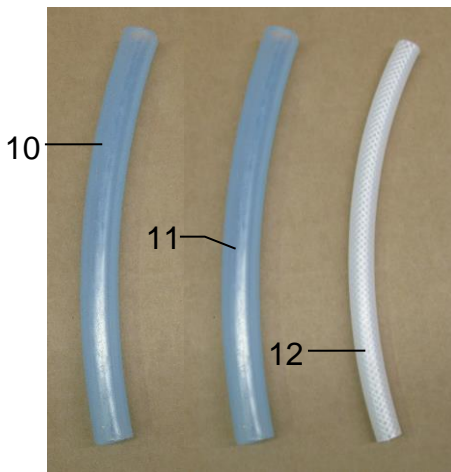
## Moisture Sensor Discs



<u>Ref</u>	<u>Description</u>	<u>Part #</u>	<u>Qty</u>
1	RB Isolator	006-4641FX	2
2	RB Moisture Pad	006-4641HX	2
3	1/2" Nut	Hardware	4
4	1/2" Lock	Hardware	4
5	1/2" D Washer	Hardware	6

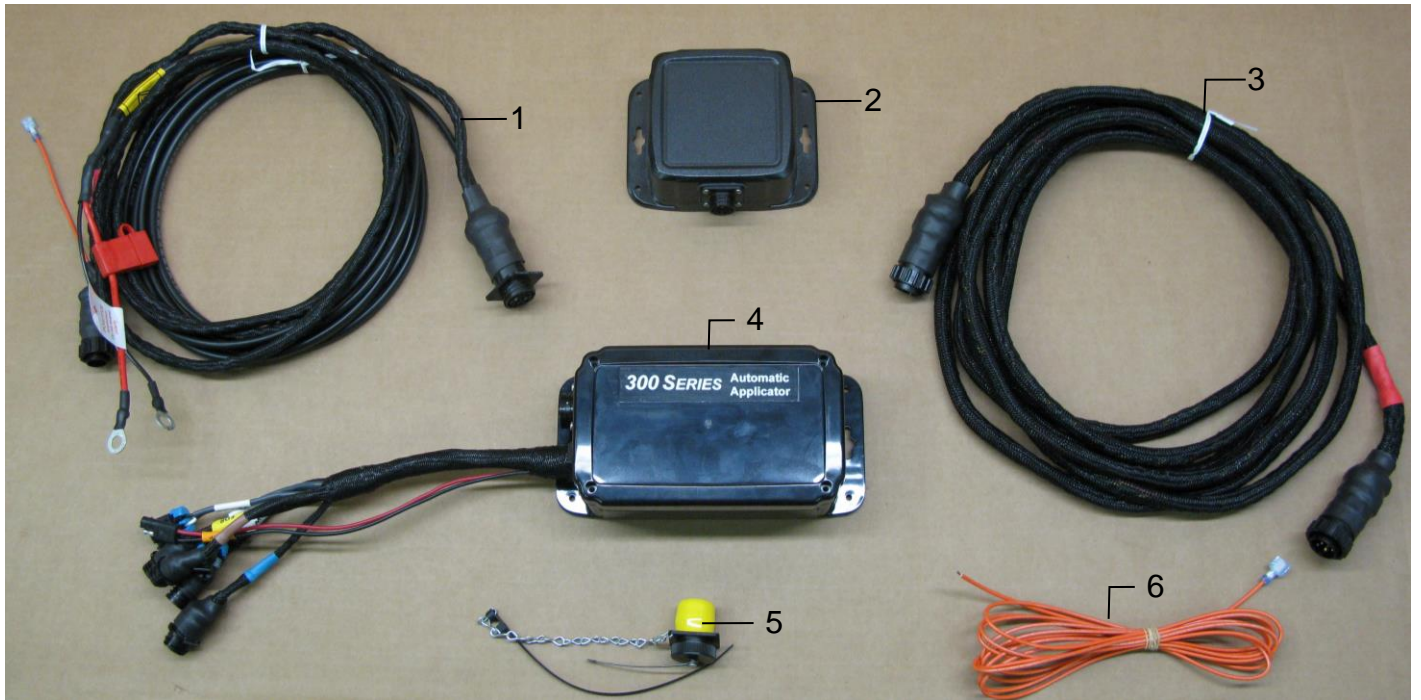
<u>Ref</u>	<u>Description</u>	<u>Part #</u>	<u>Qty</u>
6	1/2" x 4 1/2" Carriage Bolt	Hardware	2
7	Sensor Bushing	006-4641G	2
8	Plastic Isolator	006-4641I	2
9	Moisture Cable	006-4640GX2	1
	Moisture Assembly (Ref 1-8)	030-4643C	2
	Complete Assembly (Ref 1-9)	MSH-RB-C	

## Hoses



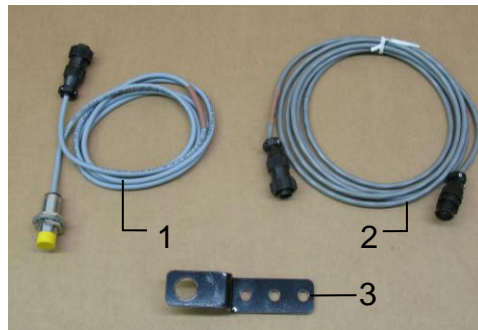
<u>Ref</u>	<u>Description</u>	<u>Part #</u>	<u>Qty</u>
10	1/2" Hose (Tank to Solenoid)	002-9001	15ft
11	3/4" Hose (Drain/Fill Line)	002-9002	10ft
12	1/4" Hose (Solenoid to Tips)	002-9016	6ft

## Control Box and Wiring Harnesses



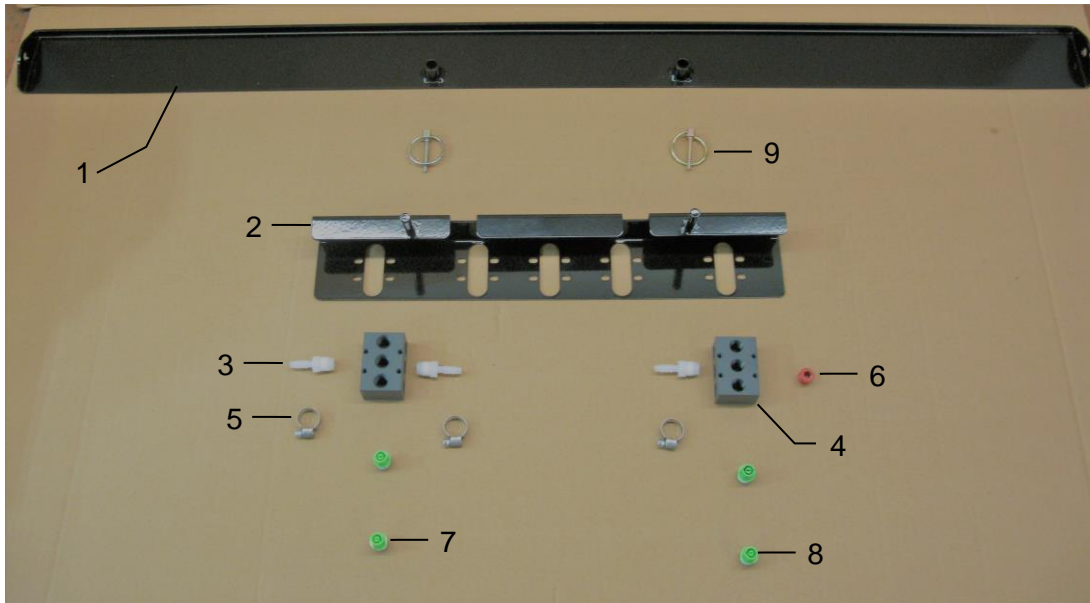
<u>Ref</u>	<u>Description</u>	<u>Part #</u>	<u>Qty</u>
1	Tractor Power Harness	006-3650T	1
2	iPad Integration Control	030-6672C	1
3	Baler Power Harness (20')	006-3650B1	1
4	Control Box	006-3671RB	1
5	Dust Plug Kit	006-5651Plug	1
6	Key Switch Harness	006-5650K	1
NP	USB Cable	006-6672USBC	
Complete Assembly		030-363CPA	

## End of Bale Sensor Kit A



<u>Ref</u>	<u>Description</u>	<u>Part #</u>	<u>Qty</u>
1	End of Bale Sensor	006-7400	1
2	EOB Extension	006-7400EXT	1
3	End of Bale Bracket	001-4648RB	1
Complete Assembly		EOB-RB-A	

## 347P-SO Installation Kit



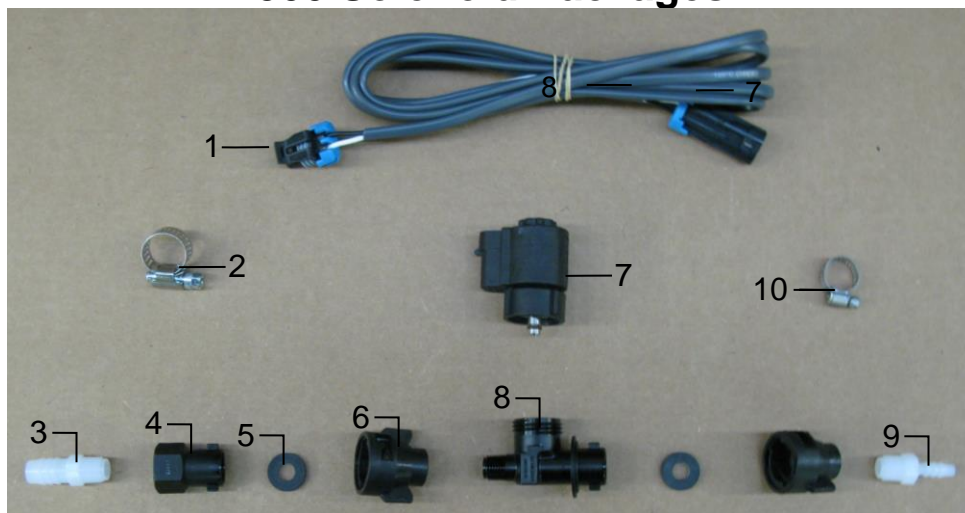
<u>Ref</u>	<u>Description</u>	<u>Part #</u>	<u>Qty</u>	<u>Ref</u>	<u>Description</u>	<u>Part#</u>	<u>Qty</u>
1	Spray Shield Holder	001-4435NCP	1	6	Plug Allen SS	003-F14A	1
2	Spray Shield	001-4435NSX	1	7	Tip - Green	004-T8004-PT	2
3	1/4" x 1/4" Straight Fitting	003-A1414	3	8	Tip - Green	004-T8008-PT	2
4	Spray Shield Manifold	001-4435NSB	2	9	Pin Lynch 3/16	008-4576	2
5	Mini Hose Clamp	003-9002	3				

\* Tip color subject to change

Complete Assembly

030-0347P-SO

## 300 Solenoid Packages



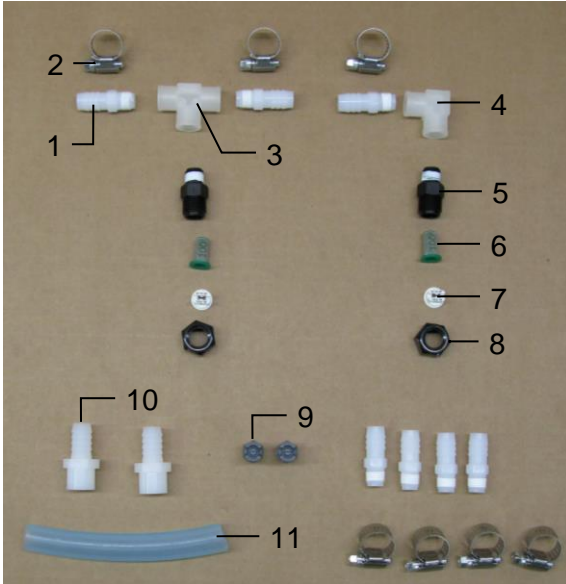
### Solenoid Package B

<u>Ref</u>	<u>Description</u>	<u>Part #</u>	<u>Qty</u>	<u>Ref</u>	<u>Description</u>	<u>Part #</u>	<u>Qty</u>
1	Solenoid Harness (10')	006-3650-S2	1	6	1/4" Female Disconnect	004-1207H	2
2	#6 Hose Clamp	003-9003	1	7	Solenoid	002-2203F	1
3	1/4" x 1/2" Straight Fitting	003-A1412	1	8	Solenoid Valve Body	004-1207VF	1
4	1/4" Female Connector	004-1207G	1	9	1/4" x 1/4" Straight Fitting	003-A1414	1
5	Rubber Washer	004-1207W	2	10	Mini Hose Clamp	003-9002	1

Complete Assembly

SOL-3SP-B

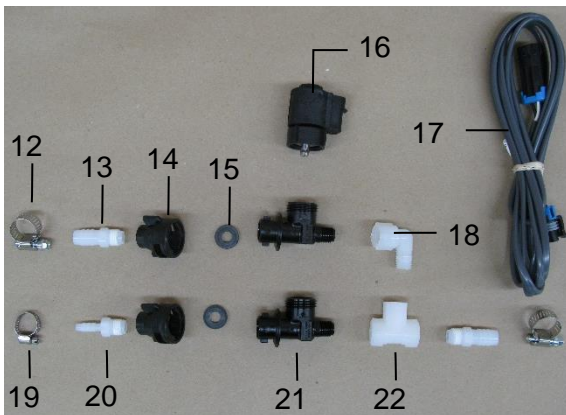
## Optional High Output Kit (300RBHTK)



<u>Ref</u>	<u>Description</u>	<u>Part #</u>	<u>Qty</u>
1	1/4" x 1/2" Straight Fitting	003-A1412	7
2	#6 Hose Clamp	003-9003	7
3	1/4" Tee	003-TT14SQ	1
4	1/4" Sq Elbow	003-SE14F	1
5	Nozzle Body	004-4722	2
6	Tip Screens	004-1203-100	2
7	High Output Tip – White	004-XR11008VS	2
8	Nozzle Body Cap	004-4723	2
9	High Output Tip – Grey	004-T8008-PT	2
10	1/4" x 1/2" Sq Fitting	003-A1412F	2
11	1/2" Hose	002-9001	6ft

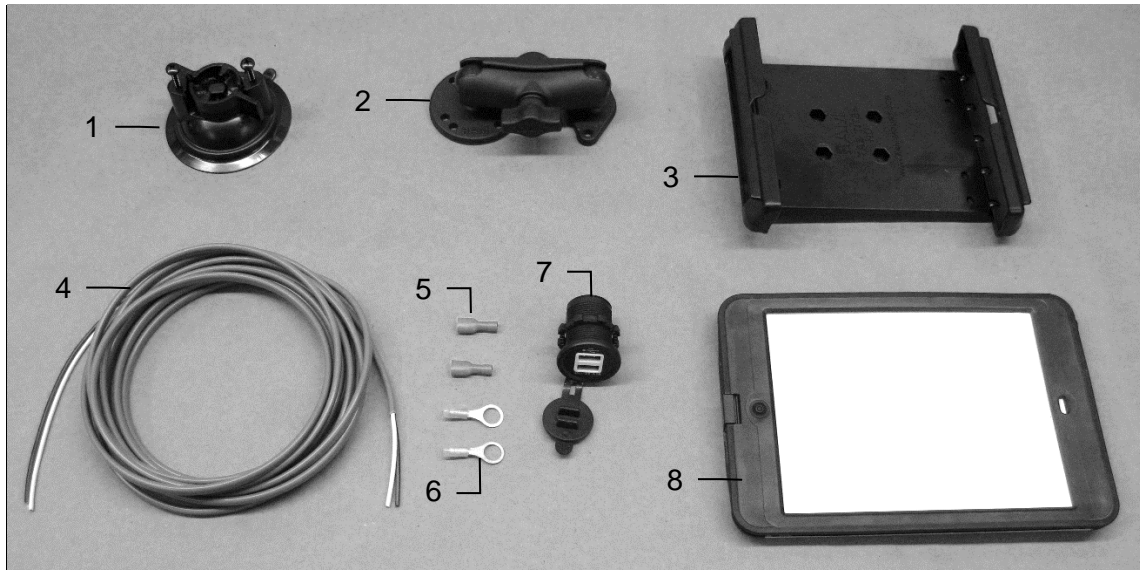
\* Tip color subject to change

## High Output Solenoid (Included with 300RBHTK Kit)



<u>Ref</u>	<u>Description</u>	<u>Part #</u>	<u>Qty</u>
12	#6 Hose Clamp	003-9003	2
13	1/4" x 1/2" Straight Fitting	003-A1412	2
14	Female Quick Coupler	004-1207H	2
15	Rubber Washer	004-1207W	1
16	Solenoid	002-2203F	1
17	Solenoid Harness (10')	006-3650-S2	1
18	1/4" Street Elbow	003-SE14	1
19	Mini Hose Clamp	003-9002	1
20	1/4" x 1/4" Straight Fitting	003-A1414	1
21	Solenoid Check Valve	004-1207VF	2
22	1/4" Tee	003-TT14	1

## Optional iPad Mini Mounting Kit (030-2014MK)



<u>Ref</u>	<u>Description</u>	<u>Part #</u>	<u>Qty</u>
1	Suction cup mount	001-2012SCM	1
2	Ram mount	001-2012H	1
3	iPad Mini® spring load cradle (Mini 1,2,3)	001-2012SLC	1
4	16 gauge power wire	Hardware	1
5	Female spade connector	Hardware	2
6	Eye loop connector	Hardware	2
7	iPad Mini Charger 12V	001-2012P	1
8	iPad Mini 4 case	001-2012C4	1
NP	4 amp fuse	Hardware	1

Mounting Kit Assembly

030-2014MK  
(Includes All Parts)

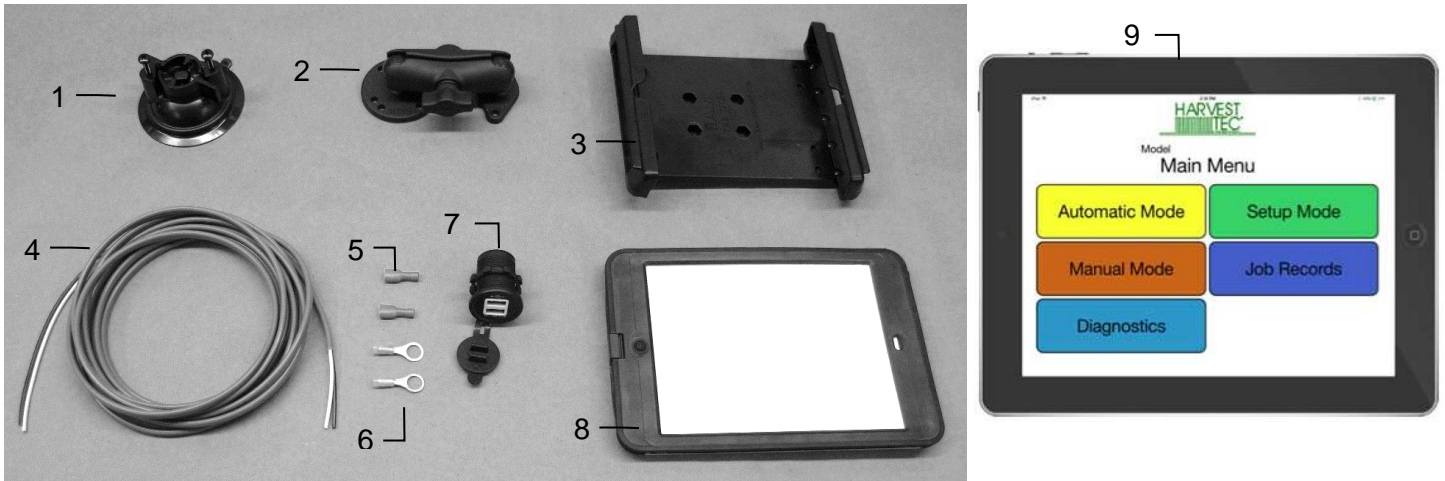
### Installation Instructions

1. Identify 12V power source for wires to connect.
  - a. Eye loops included if wiring directly to the battery is desired.
  - b. Test for key power source if preferred to have power to the USB shut off with the key.
2. Once power source is identified, cut wires to desired length.
3. Crimp the two supplied quick connectors onto each the white and black wire.
4. Remove the round locking plastic nut from USB plug before connecting the wires. Black (+) White (-).
5. The wires will then be hooked to the designated terminals on the bottom of the USB plug
6. Drill a 1 1/8" hole in the preferred mounting location. Be sure to clean any sharp edges after drilling.
7. Feed the wires through the mounting hole.
8. If using the round plastic nut to secure plug in place, slide the nut back over the wiring before connecting the wires to powered source.
9. Connect the wires to the identified power source if easier to do so before tightening the plug into place.
10. Tighten plug using either the round plastic nut or mounting plate and two screws, both options supplied.
11. Once connected, hook a USB charging cord into the plug and connect a mobile device/tablet to ensure the plug is operating as you wish (key power working properly if necessary).

NOTE: This plug is not designed to charge two iPads. System damage could occur if this is attempted. System will charge a mobile phone and iPad simultaneously without problem.

\*iPad mini is a trademark of Apple Inc., registered in the U.S. and other countries.

## Optional iPad Display Kit (030-4670DK)



<u>Ref</u>	<u>Description</u>	<u>Part #</u>	<u>Qty</u>	<u>Ref</u>	<u>Description</u>	<u>Part #</u>	<u>Qty</u>
1	Suction cup mount	001-2012SCM	1	7	iPad Mini Charger 12V	001-2012P	1
2	Ram mount	001-2012H	1	8	iPad Mini 4 case	001-2012C4	1
3	iPad Mini spring load cradle (Mini 4)	001-2012SLC	1	9	iPad Mini 4	006-4670IP	1
4	16 gauge power wire	006-4723P	1	NP	4 amp fuse	Hardware	1
5	Female spade connector	Hardware	2				
6	Eye loop connector	Hardware	2				
					Mounting Kit Assembly	030-4670DK (Includes All Parts)	

### Installation Instructions

1. Identify 12V power source for wires to connect.
2. Eye loops included if wiring directly to the battery is desired.
3. Test for key power source if preferred to have power to the USB shut off with the key.
4. Once power source is identified, cut wires to desired length.
5. Crimp the two supplied quick connectors onto the white and black wire.
6. Remove the round locking plastic nut from USB plug before connecting the wires. Black (+) White (-).
7. The wires will then be hooked to the designated terminals on the bottom of the USB plug
8. Drill a 1 1/8" hole in the preferred mounting location. Be sure to clean any sharp edges after drilling.
9. Feed the wires through the mounting hole.
10. If using the round plastic nut to secure plug in place, slide the nut back over the wiring before connecting the wires to powered source.
11. Connect the wires to the identified power source if easier to do so before tightening the plug into place.
12. Tighten plug using either the round plastic nut or mounting plate and two screws, both options supplied.
13. Once connected, hook a USB charging cord into the plug and connect a mobile device/tablet to ensure the plug is operating as you wish (key power working properly if necessary).

NOTE: This plug is not designed to charge two iPads. System damage could occur if this is attempted.  
System will charge a mobile phone and iPad simultaneously without problem

\*iPad mini is a trademark of Apple Inc., registered in the U.S. and other countries.



## **Harvest Tec Inc. Warranty and Liability Agreement**

Harvest Tec, Inc. will repair or replace components that are found to be defective within 12 months from the date of manufacture. Under no circumstances does this warranty cover any components which in the opinion of Harvest Tec, Inc. have been subjected to negligent use, misuse, alteration, accident, or if repairs have been made with parts other than those manufactured and obtainable from Harvest Tec, Inc.

Our obligation under this warranty is limited to repairing or replacing free of charge to the original purchaser any part that in our judgment shows evidence of defective or improper workmanship, provided the part is returned to Harvest Tec, Inc. within 30 days of the failure. If it is determined that a non-Harvest Tec branded hay preservative has been used inside the Harvest Tec applicator system where the failure occurred, then Harvest Tec reserves the right to deny the warranty request at their discretion. Parts must be returned through the selling dealer and distributor, transportation charges prepaid.

This warranty shall not be interpreted to render Harvest Tec, Inc. liable for injury or damages of any kind, direct, consequential, or contingent, to persons or property. Furthermore, this warranty does not extend to loss of crop, losses caused by delays or any expense prospective profits or for any other reason. Harvest Tec, Inc. shall not be liable for any recovery greater in amount than the cost or repair of defects in workmanship.

There are no warranties, either expressed or implied, of merchantability or fitness for particular purpose intended or fitness for any other reason.

This warranty cannot guarantee that existing conditions beyond the control of Harvest Tec, Inc. will not affect our ability to obtain materials or manufacture necessary replacement parts.

Harvest Tec, Inc. reserves the right to make design changes, improve design, or change specifications, at any time without any contingent obligation to purchasers of machines and parts previously sold.

Revised 4/21

**HARVEST TEC, INC.**  
**P.O. BOX 63**  
**2821 HARVEY STREET**  
**HUDSON, WI 54016 USA**  
**PHONE: 715-386-9100**  
**FAX: 715-381-1792**  
**Email: [info@harvesttec.com](mailto:info@harvesttec.com)**