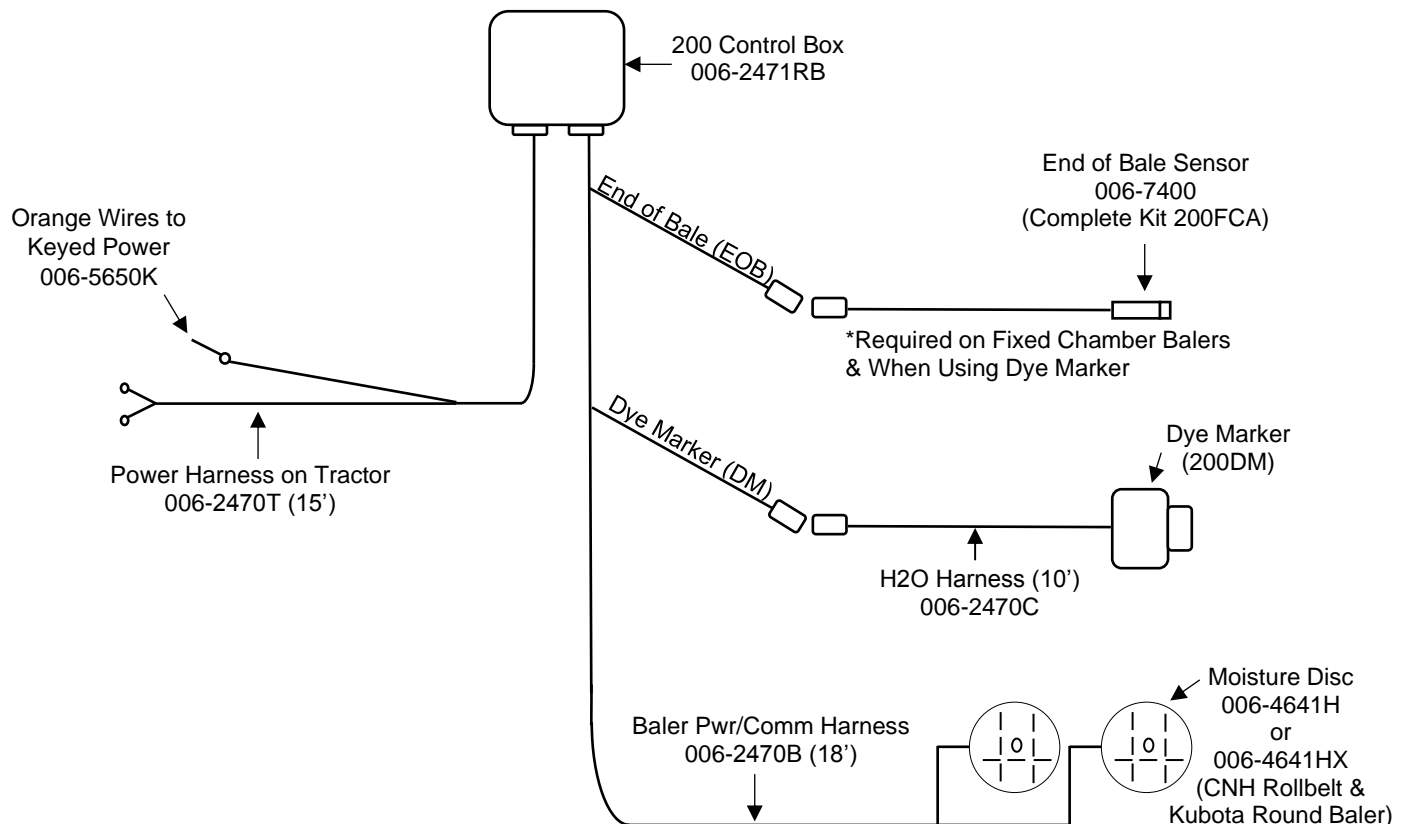


Wiring Diagram

1. Connect the power harness (006-2470T) to the tractor battery or a convenience outlet using the red wire with fuse to the positive side and the black wire to the negative.
 - a. Any modifications of the power harness will void the warranty. Contact Harvest Tec before modifications are made.
 - b. This unit will not function on positive ground tractors.
2. The power harness on the tractor (006-2470T) will run from the tractor battery to the control box in the cab of the tractor (006-2471RB).
3. Connect the keyed power wire (006-5650K) to a keyed power source on the tractor. The keyed power wire must connect to a keyed source or the unit will not power up correctly.
4. Connect the Baler Pwr/Comm Harness (006-2470B) to the control box in the cab of the tractor.
5. Route the harness to the baler and to each moisture sensor on both sides of bale chamber (006-4641H). If the baler is a CNH Rollbelt or Kubota round baler the sensors are pn 006-4641HX.
6. When using a Fixed Chamber baler or Dye Marker the End of Bale Sensor kit will need to be added to the system in order to see when the baler door opens to eject a bale. Part number (200FCA). Connect the sensor to the End of Bale (EOB) connection on the Baler Pwr/Comm Harness (006-247B).
7. When using the optional Dye Marker (200DM) connect 4 pin round end of the H2O harness (006-2470C) to the Dye Marker (DM) connection on the (006-2470B) harness. Then connect the two straight spade connections with only the white wire to the push switch (006-2850). The remaining two connections with 90 degree female spades will connect to the pump.

System wiring diagram



*If needed an optional 8' Pwr/Comm harness available (not included), part number 006-2470BL. This harness will mount on the tractor and disconnect from the baler mounted Pwr/Comm harness (006-2470B) at the baler hitch.