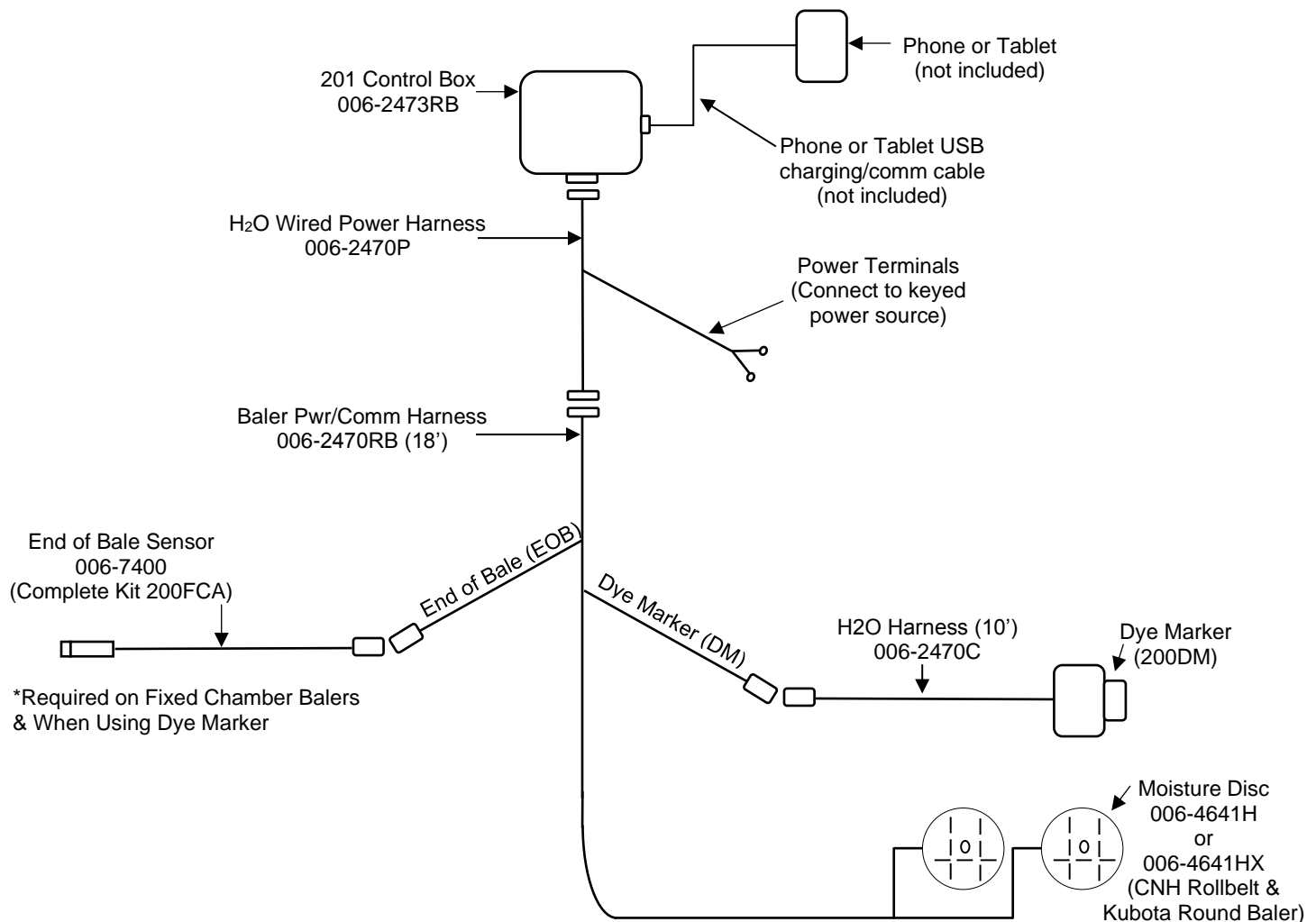


Wiring Diagram

1. Connect the power harness (006-2470P) to the tractor convenience outlet keyed power switch using the red wire with fuse to the positive side and the black wire to the negative.
 - a. Any modifications of the power harness will void the warranty. Contact Harvest Tec before modifications are made.
2. The power harness (006-2470P) will mount on the tractor connected to the control box (006-2473RB) with the 12 pin male deutsch connection and the opposite end down to the draw bar.
3. Connect the Baler Pwr/Comm Harness (006-2470RB) to the power harness (006-2470P).
4. Route the Pwr/Comm Harness (006-2470RB) on the baler to each moisture sensor on both sides of bale chamber (006-4641H). If the baler is a CNH Rollbelt or Kubota round baler, sensors are pn 006-4641HX.
5. Connect the USB charging/comm cord for the phone or tablet being used, to that device and the 201 control box (006-2473RB).
6. When using a Fixed Chamber baler or Dye Marker the End of Bale Sensor kit will need to be added to the system in order to see when the baler door opens to eject a bale. Part number (200FCA). Connect the sensor to the End of Bale (EOB) connection on the Baler Pwr/Comm Harness (006-2470RB).
7. When using the optional Dye Marker (200DM) connect 4 pin round end of the H2O harness (006-2470C) to the Dye Marker (DM) connection on the (006-2470RB) harness. Then connect the two straight spade connections with only the white wire to the push switch (006-2850). The remaining two connections with 90 degree female spades will connect to the pump.

System wiring diagram



*If needed an optional 8' Pwr/Comm harness extension is available (not included), part number 006-2470BL2.