

4. WIRING INSTALLATION

1. Connect the power and can comm. harness to PIP (006-5650I) at the display & power ports.
2. Connect harness (006-5650I) to connection on right side of baler. (Figure 2)
3. Connect star wheel harness 006-4640E2 at moisture & bale rate sensor port.
4. Install the two terminating resistors (006-5650Z & 006-4640J).

SYSTEM WIRING DIAGRAM

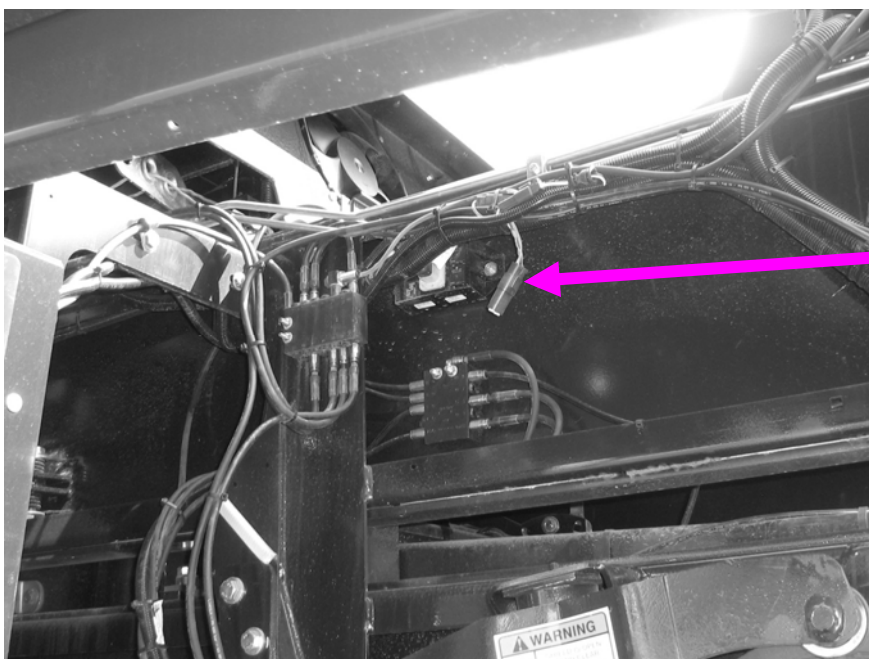
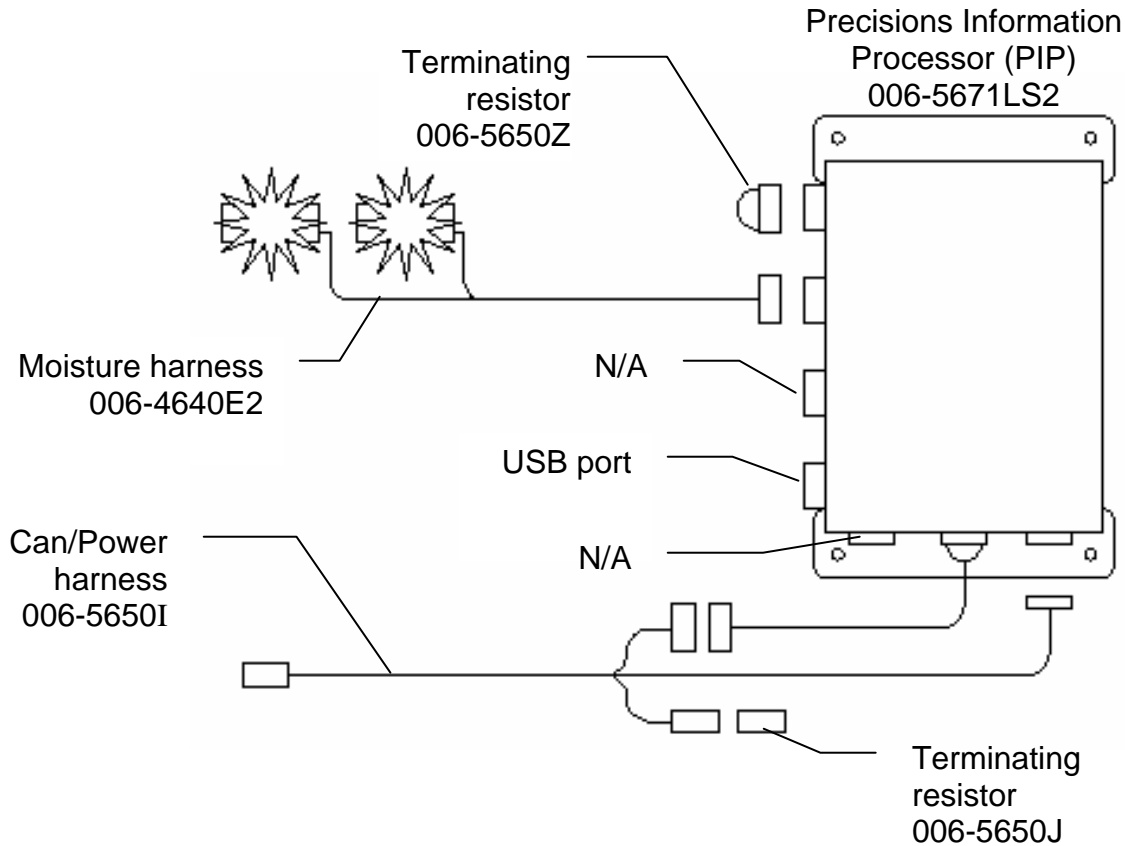


Figure 2