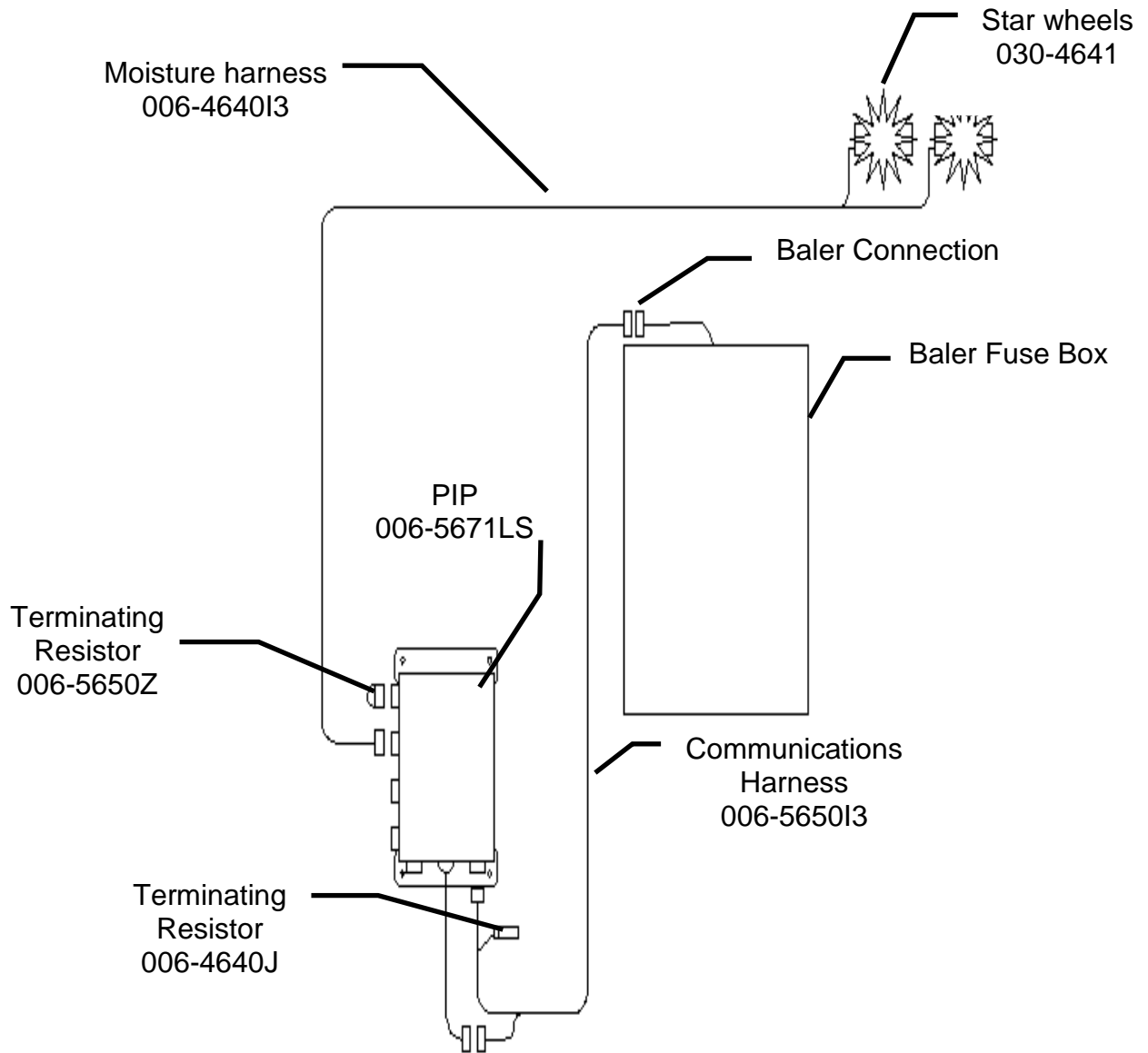


Connecting the Harnesses to the PIP



1. Install the green capped terminating resistor (006-5650Z) to the Precision Information Processor (PIP).
2. Route the communication harness (006-5650I3) from the PIP to the baler. Attach the harness to the whip harness coming off the base of the PIP. Secure harness from PIP to baler communication port.
3. Install the grey terminating resistor (006-4640J) on the open end of the communication harness (006-5650I3) next to the PIP.
4. Install the moisture harness (006-4640I3) into the PIP at the port marked Moisture Sensor. Secure harness from PIP to star wheels.