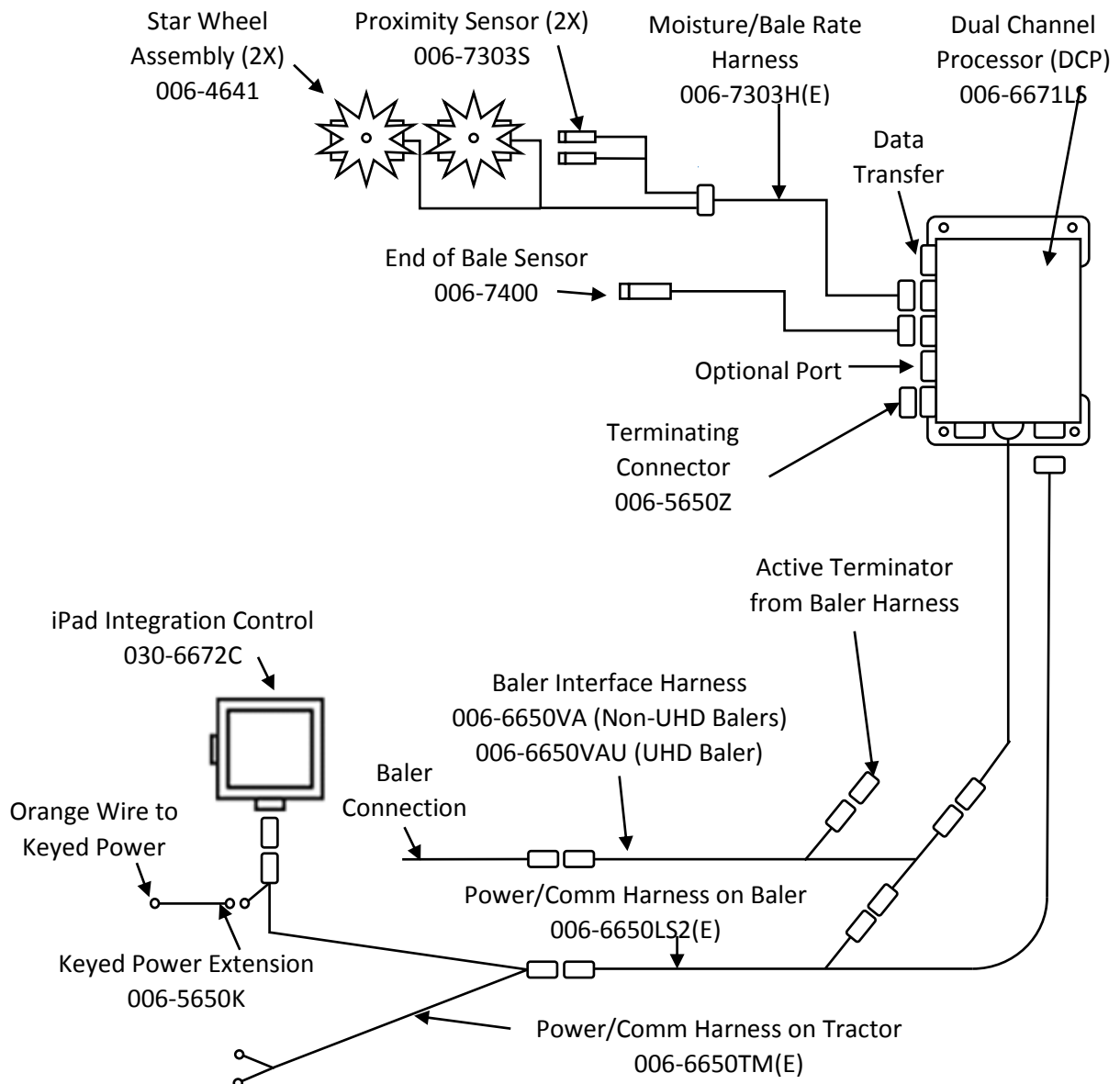


Wiring Diagram

- 1 Locate the tractor power/communication harness (006-6650TM(E)).
- 2 At the back of the tractor run the power leads to the battery.
- 3 Connect the red power wire with the 50 amp fuse to the positive side (12 volt) of the battery.
 - a. **The power harness must be connected to the battery!** The unit will draw more amps than convenience outlets can handle. Any modifications of the power harness will void systems warranty. IF MODIFICATIONS ARE REQUIRED CONTACT HARVEST TEC FIRST!
 - b. **This unit will not function on positive ground tractors.**
 - c. **If the unit loses power while operating it will not keep track of accumulated pounds of product used and bale records.**
- 4 Connect the black ground wire to frame of tractor or negative side of (12 volt) battery.
- 5 Connect the iPad Integration Control (030-6672C) to the Communication Harness (006-6650TM(E)). Place in a safe location in the cab. Behind the seat for example.
- 6 Connect the orange wires and attach the plug to the tractor's ISOBUS port.
- 7 Connect the end to the Communication Harness (006-6650TM) to the Bluetooth Receiver.
- 8 Connect the orange keyed power wires (006-5650K) and attach the plug to the tractor's ISOBUS port.



*AGCO 2100 Series Balers Pre 2012 will need the Integration Harness 006-6650VAX

*Note: (E) indication is used for International Dealers