

Wiring Diagram

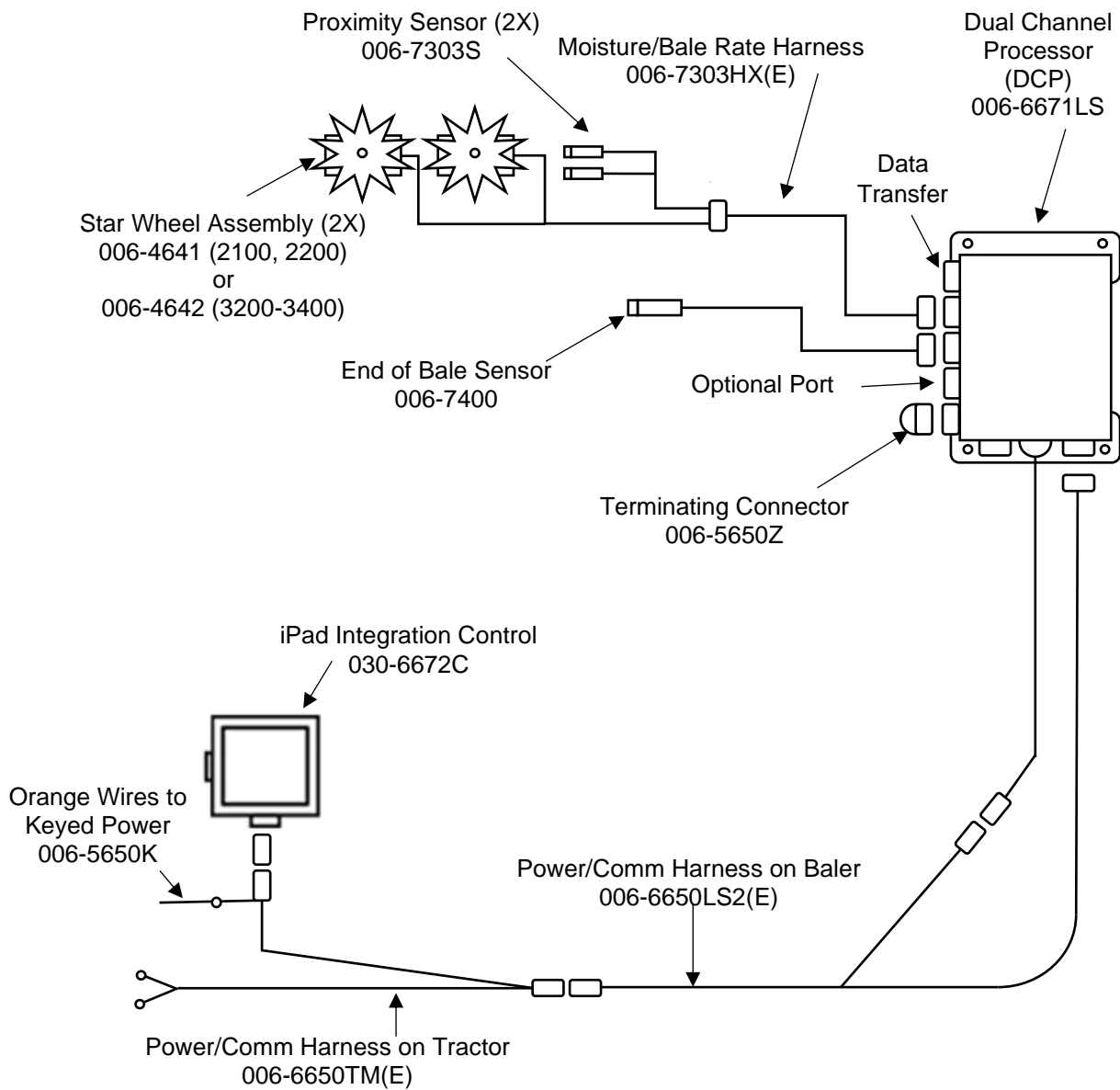
1. Locate the tractor power/communication harness (006-6650TM(E)).
2. At the back of the tractor run the power leads to the battery.
3. Connect the red power wire with the 50 amp fuse to the positive side (12 volt) of the battery.



The power harness must be connected to the battery! The unit will draw more amps than convenience outlets can handle. Any modifications of the power harness will void systems warranty. IF MODIFICATIONS ARE REQUIRED CONTACT HARVEST TEC FIRST!

p. This unit will not function on positive ground tractors.

4. Connect the black ground wire to frame of tractor or negative side of (12 volt) battery.
5. Connect the iPad Integration Control (030-6672C) to the Communication Harness (006-6650TM(E)). Place in a safe location in the cab. Behind the seat for example.
6. Connect the orange wires and attach the plug to the tractor's ISOBUS port.
7. If using the optional ISOBUS connector (006-6670A) connect the end to the Communication Harness (006-6650TM) in place of the iPad Integration Control below.
8. Connect the orange keyed power wires (006-5650K) to tractor Key Power source.



*Note: (E) indication is used for International Dealers