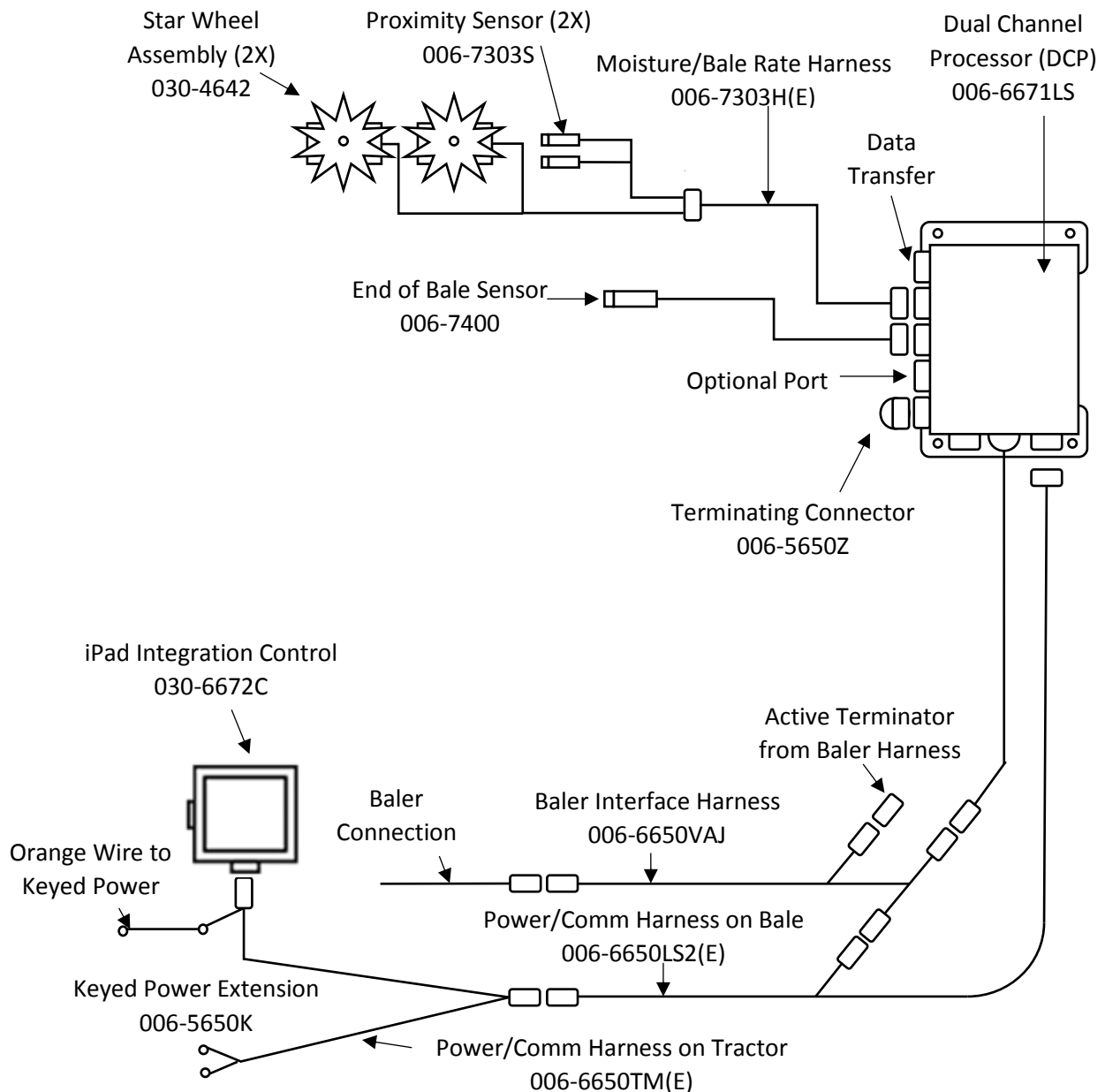


John Deere L330 / L340 Balers Harness/Wiring Installation for using ISOBUS Display

- A. The Baler Power/Communication Harness (006-6650LS2(E)) will attach to the open port of the Tractor Harness (006-6650TM(E)) and run back to the Dual Channel Processor (DCP 006-6671LS).
- B. Connect the large plug of the Baler Power/Communication Harness (006-6650LS2(E)) to the bottom (shorter side) of the DCP.
- C. Attach the Baler Interface Harness (006-6650VAJ) in between the short whip cable hardwired to the DCP and the main Power/Communication Harness. Make sure Active Terminator removed from the baler processor is attached to the Baler Interface Harness (006-6650VAJ).
- D. Connect the iPad Integration Control (030-6672C) to Communication Harness (006-6650TM(E)).
- E. Install the Terminating Connector (006-5650Z) to the port labeled Modular Port on the Pump Controller (006-5672).
- F. Attach moisture and bale rate harness (006-7303H(E)) to the DCP (006-6671LS).
- G. Connect Keyed Power Extension harness (006-5650K) to a keyed power source.
- H. Note: the Optional Port and the Data Transfer Port are not used in this application.



*Note: (E) indication is used for International Dealers