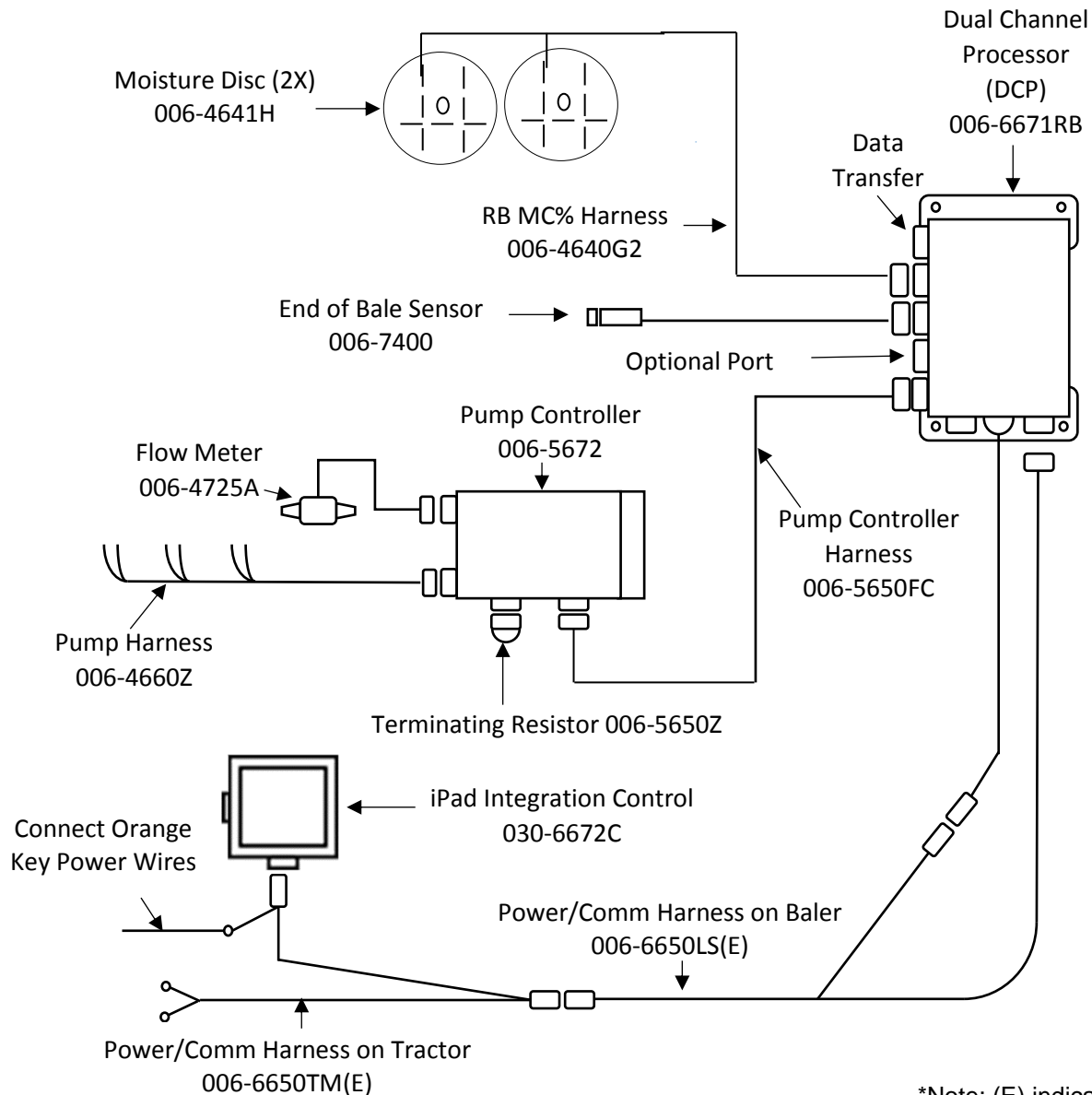


647 & 649 Wiring Diagram

1. Locate the tractor power/communication harness (006-6650TM(E)).
2. On the back of tractor run the power leads of power / communication harness (006-6650TM(E)) to battery.
3. Connect the red power wire with the 50 amp fuse to the positive side of the battery (12 volt).
 - a. **The power harness must be connected to the battery!** The unit will draw more amps than convenience outlets can handle. Any modifications of the power harness will void systems warranty. **CONTACT HARVEST TEC IF MODIFICATION IS REQUIRED!**
 - b. **This unit will not function on positive ground tractors.**
 - c. **If the unit loses power while operating it will not record accumulated product used.**
4. Connect the baler power and communication harness (006-6650LS(E)) to the power port on the DCP and to the display port on the DCP.
5. Connect the Communication Harness (006-6650TM(E)) to the iPad Integration Control (030-6672C)
6. Connect Pump Controller Harness (006-5650FC) to DCP and Pump Controller (006-5672).
7. Connect Flow Meter (006-4725A) and pump harness (006-4660Z) to the Pump Controller.
8. Install one terminating resistor to the pump controller (006-5650Z).
9. Attach moisture cable (006-4640G2) to the DCP



*Note: (E) indication is used for International Dealers