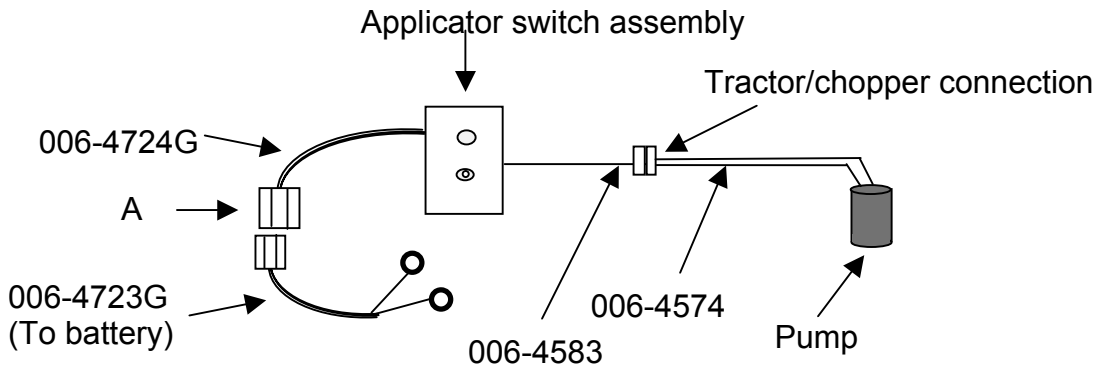


Installation of Wiring Harnesses

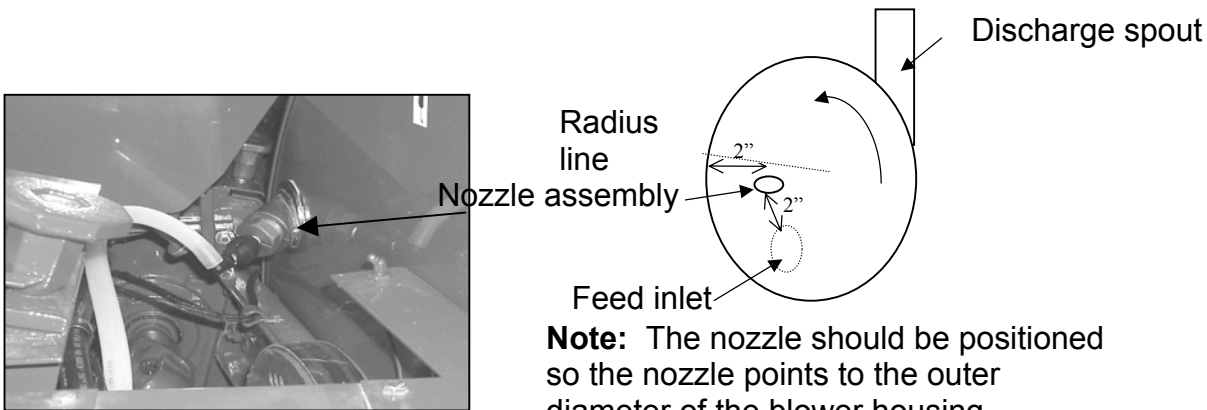
Connect the pump wiring harness to applicator switch assembly wiring harness. In the tractor, plug Connector A (see diagram below) directly to the chopper controls if you have a 1085 or 1285 chopper. The chopper control box will supply power and will put the applicator on pause when running in AUTO mode when hooked to Connector A. For all other model choppers, plug the battery hook-up harness (006-4723G) included with the applicator into Connector A and to the battery. The applicator will not be able to run in AUTO mode with choppers other than the 1085 or 1285.

Wiring Diagram



Installation of the Blower Band and Nozzle Assembly

When the applicator is going to be used as a blower band lubricator, it will be installed in the blower housing of the forage harvester on the side facing forward or backwards. The nozzle assembly must be located in the area of the blower before the feed intake and after the feed discharge. On the 1085 & 1285 models, there is an inspection door that the unit can be bolted to.



Note: The nozzle should be positioned so the nozzle points to the outer diameter of the blower housing.