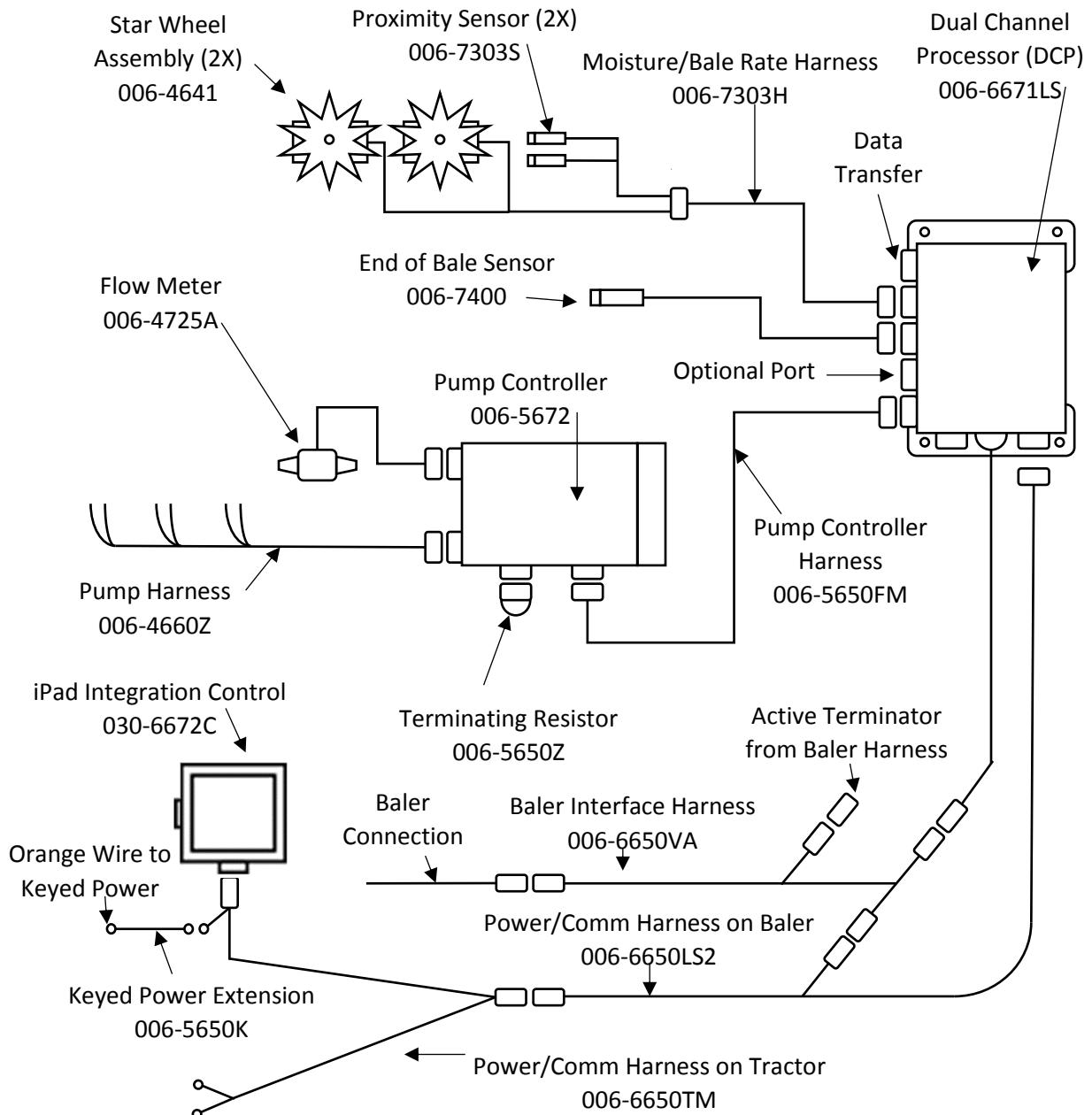


Wiring Diagram

- A. The **Baler Power/Communication Harness** (006-6650LS2) will attach to the open port of the Tractor **Harness** (006-6650TM) and run back to the **Dual Channel Processor** (006-6671LS). Connect the large plug of the Baler Power/Communication Harness (006-6650LS) to the bottom (shorter side) of the DCP.
 - B. Attach the **Baler Interface Harness** (006-6650VA) in between the short whip cable hardwired to the DCP and the main Power/Communication Harness (006-6650LS2). Make sure Active Terminator removed from the top of the baler processor is attached to Baler Interface Harness (006-6650VA).
 - C. Install green terminator (006-5650Z) to the port labeled **Modular Port** on the Pump Controller (006-5672).
 - D. Attach moisture / bale rate harness (006-7303H) and end of bale harness (006-7400) to the DCP (006-6671LS).
 - E. Attach Pump Control Harness (006-5650F3M) between Pump Controller (006-5672) and DCP (006-6671LS).
 - F. Connect Keyed Power Extension harness (006-5650K) to a keyed power source.
 - G. Connect the iPad Integration Control (030-6672C) to the Communication Harness (006-6650TM).
- Note: The Optional Port and the Data Transfer Port are not used in this application.



*AGCO 2100 Series Balers Pre 2012 will need the Integration Harness 006-6650VAX