

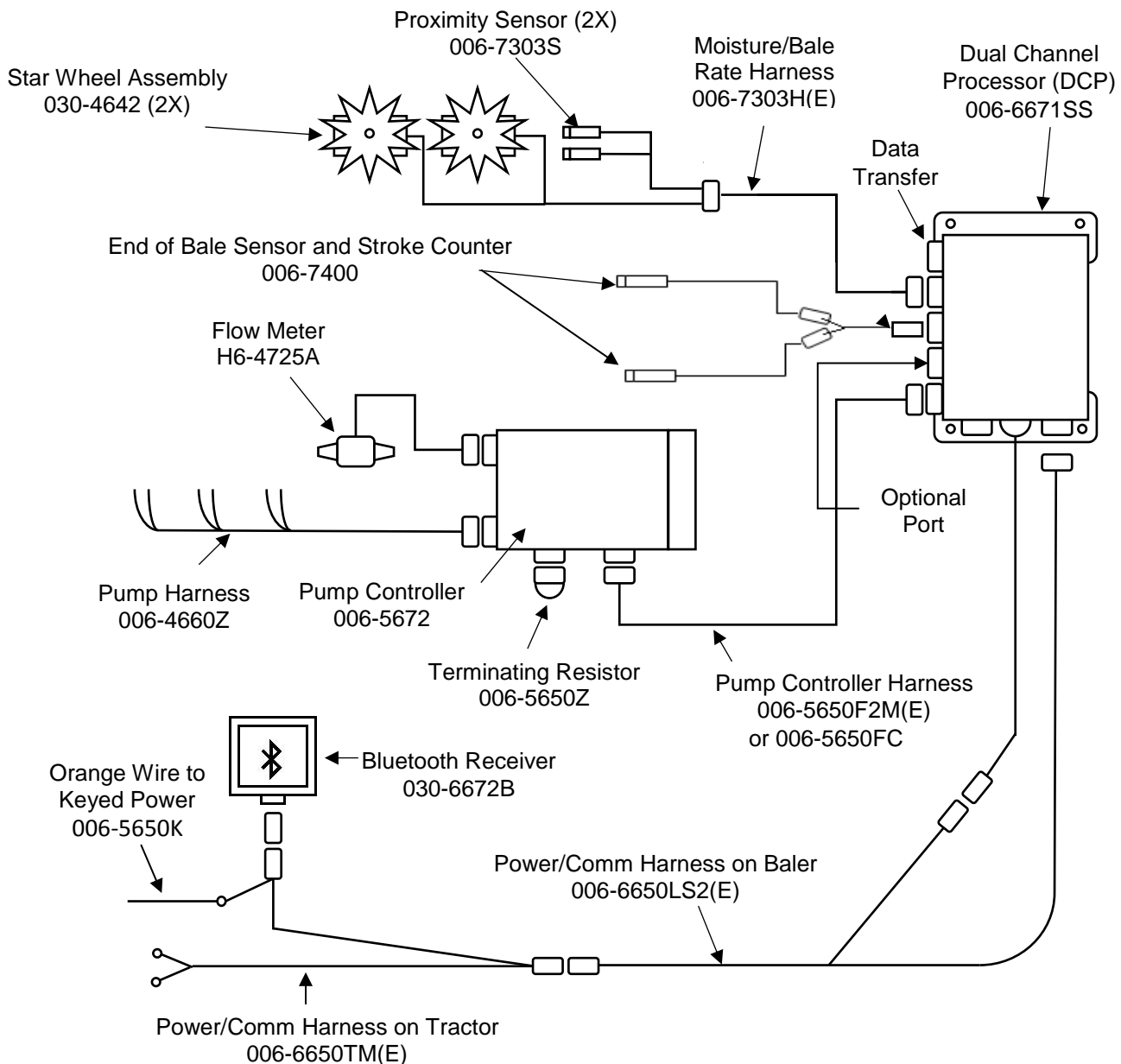
Small Square Baler Power Cable and Main Wiring Harness Installation

1. On the back of the tractor run power leads of the power / communication harness (006-6650TM(E)) to the battery and communication lead to the ISOBUS plug.
2. Connect the red power wire with the 50 amp fuse to the positive side (12 volt) of the battery.
 - a. **The power harness must be connected to the battery!** The unit will draw more amps than convenience outlets can handle. Any modifications of the power harness will void systems warranty. IF MODIFICATIONS ARE REQUIRED CONTACT HARVEST TEC FIRST!
 - b. **This unit will not function on positive ground tractors.**
 - c. **If the unit loses power while operating it will not keep track of accumulated pounds of product used and bale records.**
3. Connect the black ground wire to frame of tractor or negative side of (12 volt) battery.
4. Connect Bluetooth Receiver (030-6672B) to Communication Harness (006-6650TM) in place of the ISO adapter (shown below) and connect the keyed power wire to a keyed power source on tractor.



*Pump Control Harnesses 650 & 645 Models – 006-5650FC(E) | 651 Model – 006-5650F2M(E)

SYSTEM WIRING DIAGRAM



*Note: (E) indication is used for International