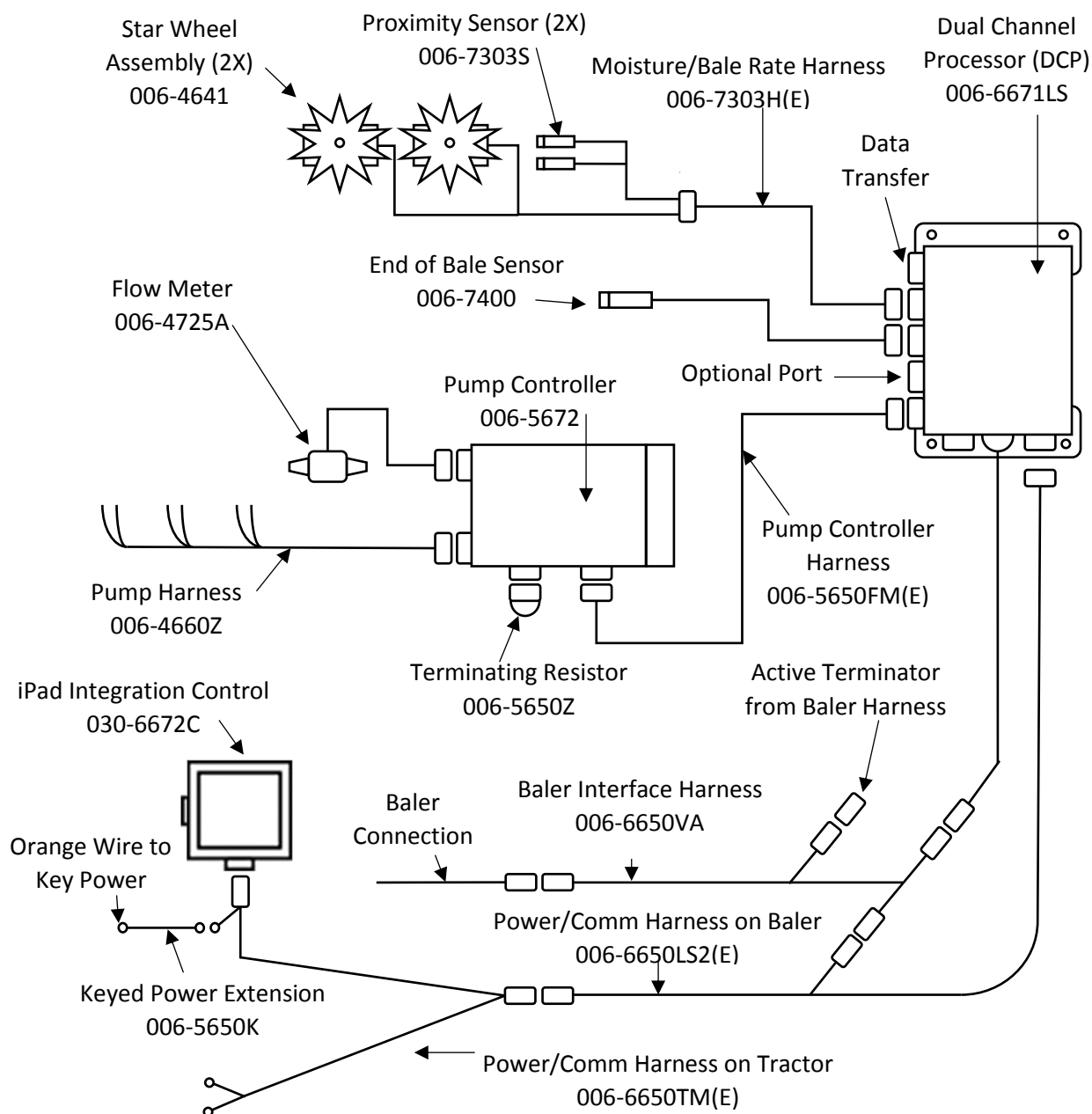


Wiring Diagram – Non UHD Baler

- A. The **Baler Power/Communication Harness** (006-6650LS2(E)) will attach to the open port of the Tractor **Harness** (006-6650TM(E)) and run back to the **Dual Channel Processor** (006-6671LS). Connect the large plug of the Baler Power/Communication Harness (006-6650LS2(E)) to the bottom (shorter side) of the DCP.
- B. Attach the **Baler Interface Harness** 006-6650VA or 006-6650VAU (UHD Baler) in between the short whip cable hardwired to the DCP and the main Power/Communication Harness (006-6650LS2(E)). Make sure Active Terminator removed from the top of the baler processor is attached to Baler Interface Harness 006-6650VA or the 006-6650VAU (UHD Baler).
- C. Install green terminator (006-5650Z) to the port labeled **Modular Port** on the Pump Controller (006-5672).
- D. Attach moisture and bale rate harness (006-7303H(E)) as well as the end of bale harness (006-7400) to the DCP (006-6671LS).
- E. Attach the Pump Control Harness (006-5650F3M(E)) between the Pump Controller (006-5672) and the DCP (006-6671LS).
- F. Connect Keyed Power Extension harness (006-5650K) to a keyed power source.
- G. Connect the iPad Integration Control (030-6672C) to the Communication Harness (006-6650TM(E)).

Note: The Optional Port and the Data Transfer Port are not used in this application.



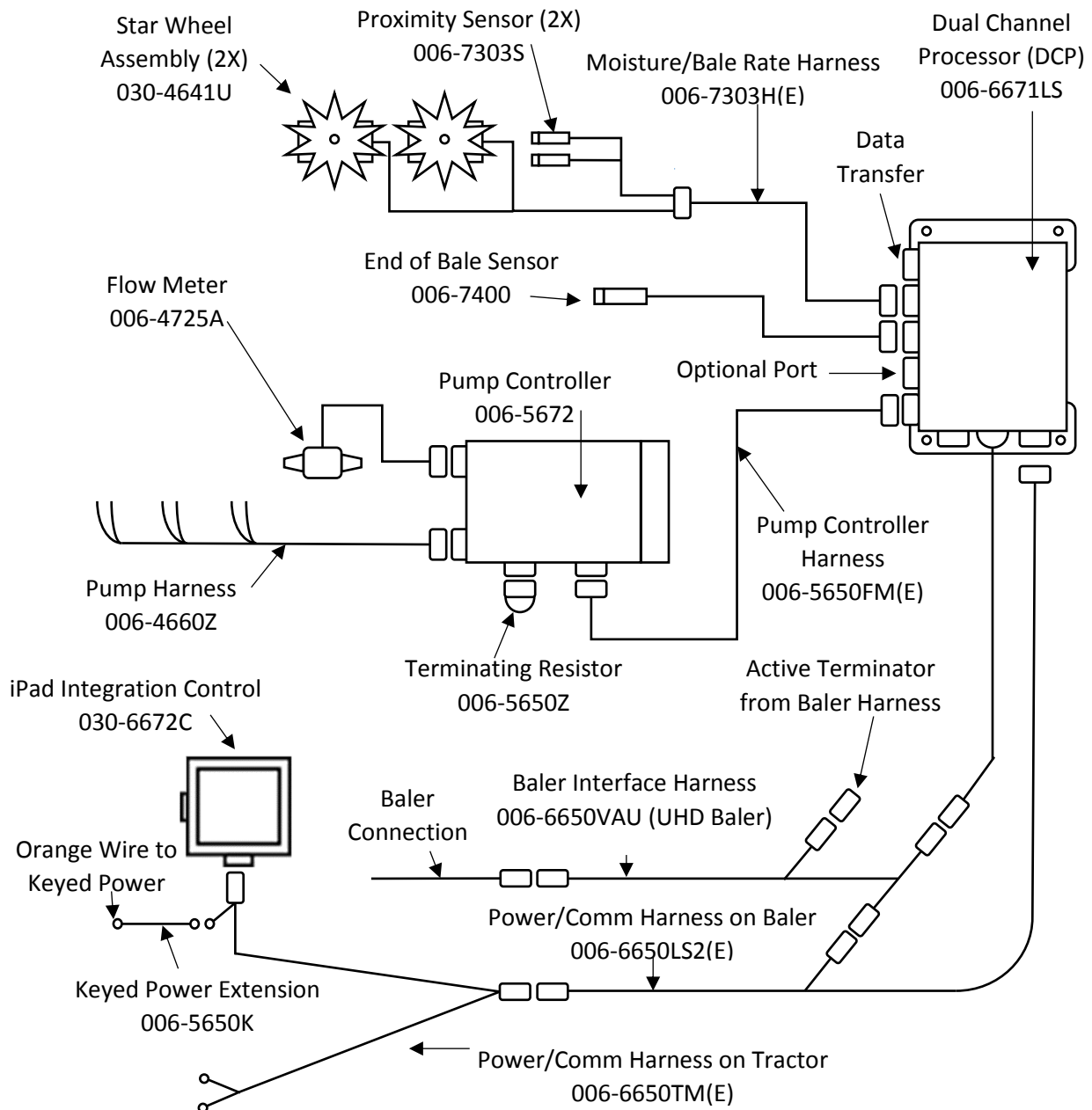
*AGCO 2100 Series Balers Pre 2012 will need the Integration Harness 006-6650VAX

*Note: (E) indication is used for International Dealers

Wiring Diagram – UHD Baler Only

- The **Baler Power/Communication Harness** (006-6650LS2(E)) will attach to the open port of the Tractor **Harness** (006-6650TM(E)) and run back to the **Dual Channel Processor** (006-6671LS). Connect the large plug of the Baler Power/Communication Harness (006-6650LS(E)) to the bottom (shorter side) of the DCP.
- Attach the **Baler Interface Harness** 006-6650VA or 006-6650VAU (UHD Baler) in between the short whip cable hardwired to the DCP and the main Power/Communication Harness (006-6650LS2(E)). Make sure Active Terminator removed from the top of the baler processor is attached to Baler Interface Harness 006-6650VA or the 006-6650VAU (UHD Baler).
- Install green terminator (006-5650Z) to the port labeled **Modular Port** on the Pump Controller (006-5672).
- Attach moisture and bale rate harness (006-7303H(E)) as well as the end of bale harness (006-7400) to the DCP (006-6671LS).
- Attach the Pump Control Harness (006-5650F3M(E)) between the Pump Controller (006-5672) and the DCP (006-6671LS).
- Connect Keyed Power Extension harness (006-5650K) to a keyed power source.
- Connect the iPad Integration Control (030-6672C) to the Communication Harness (006-6650TM(E)).

Note: The Optional Port and the Data Transfer Port are not used in this application.



*Note: (E) indication is used for International Dealers