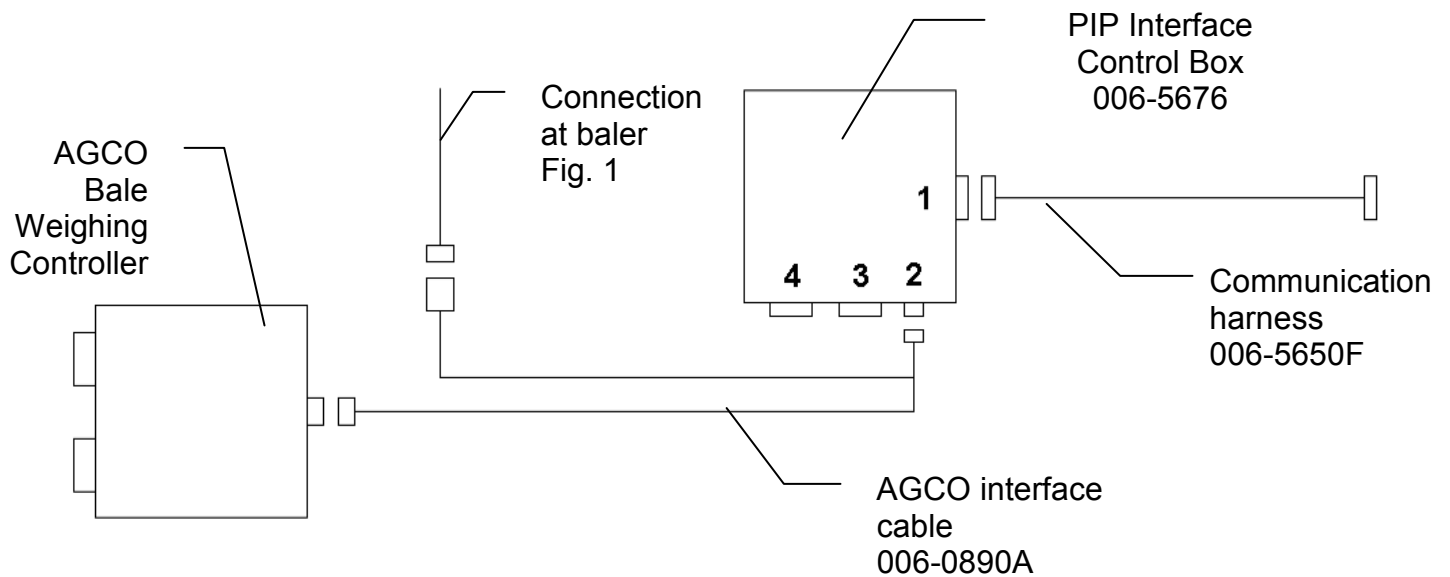
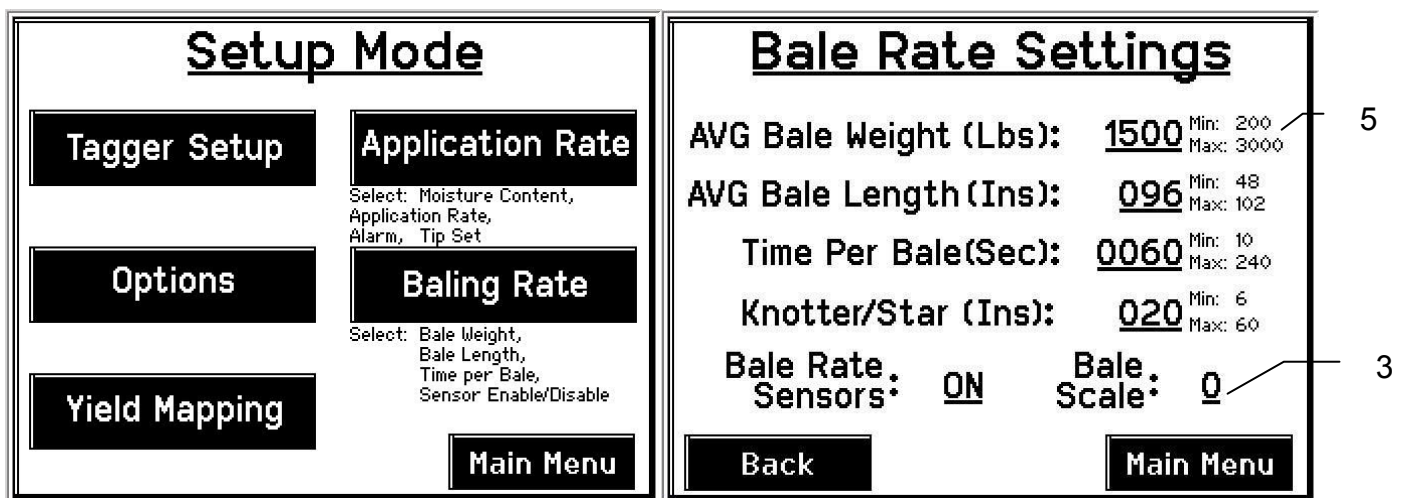


Wiring Diagram



Setup Instructions

1. Turn the 500/565 control system on. After a few seconds the Main Menu screen should appear. Press Setup Mode, the Setup Mode screen will then appear.
2. Press Baling Rate. The Bale Rate Settings screen will then appear.
3. Press the underline Q next to bale scale. The keypad will then appear. Press 1 followed by enter.
4. The scale is now active in the system.



5. The AVG Bale Weight will now adjust for every bale being made. If no signal comes from the scale it will default to your inputted value.