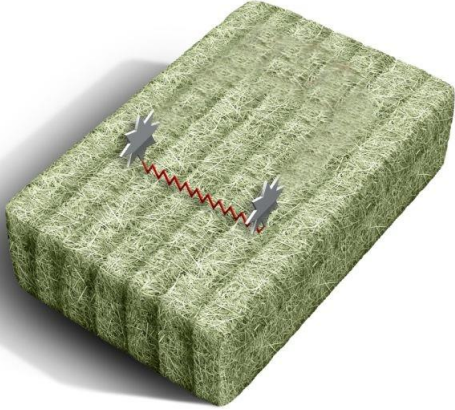


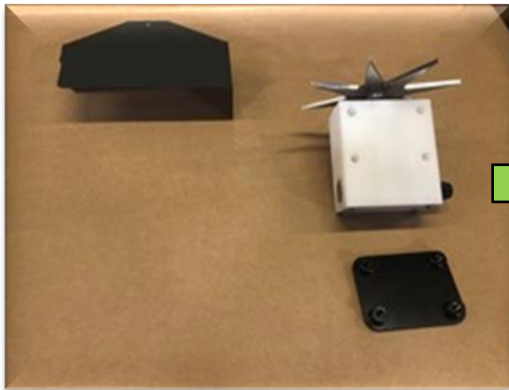
# Star Wheel Product Improvement



*The 030-4641 star wheel assembly has been updated for improved reliability and ease of installation. The assembly transitions from a four-bolt block to a two-bolt block. Some installations will require additional filler plate.*

Baler Models Impacted:

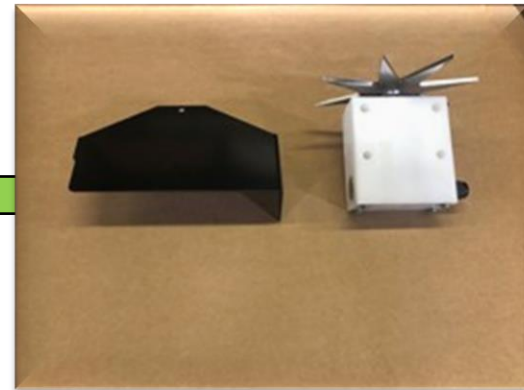
- • AGCO 21/2200 Series



Setups with **grey** twine diverter will use the black filler plate with new style star wheels.



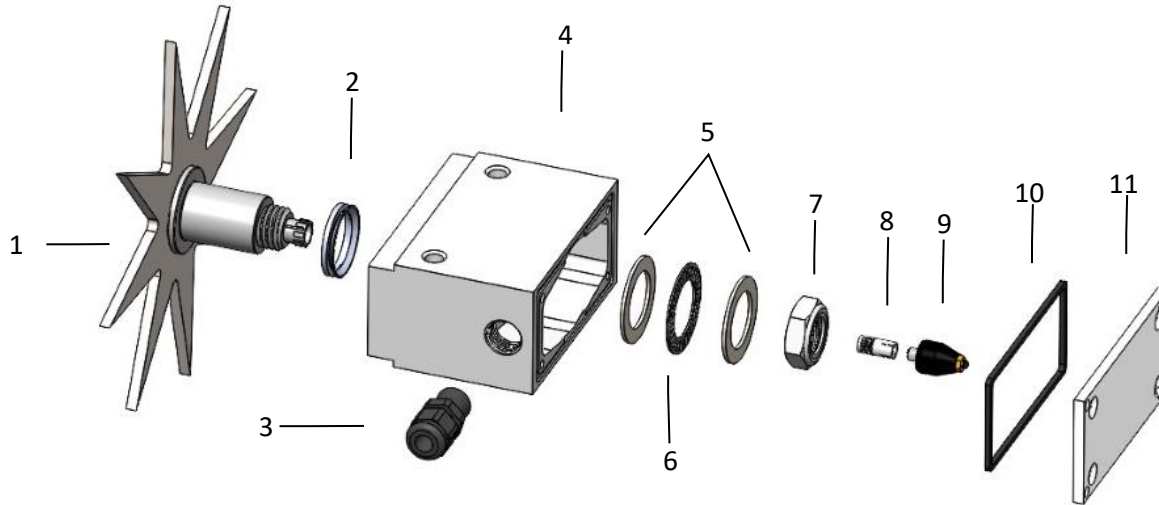
New Style Star Wheels  
030-4642UX



Setups with **black** twine diverter will not use the black filler plate with new style star wheels.

## Parts Breakdowns

### Star Wheel Assembly 030-4642UX



<u>Ref</u>	<u>Description</u>	<u>Part#</u>	<u>Qty</u>
1	Star Wheel	006-4642US	1
	Star Wheel w insert (includes #8 & hardware)	030-4642US	
2	Dust Seal (per side)	006-4642DSL	2
3	Wiring Grommet	008-0821A	1
4	Block	006-4642UB	1
5	Thrust Washer	006-4642TA	2
6	Thrust Bearing	006-4642TB	1
7	3/4" Short Nut	006-4642U	1
8	Swivel Insert	006-4642B	1
9	Rotary Swivel	006-4642A	1
10	Gasket	006-4642UG	1
11	Block Cover	006-4642UC	1
	Hardware kit (items 2, 5, 6, 7)	006-4642UK	
NP	Spacer Plate	001-6707ES	1
	Star wheel assembly	030-4642UX	