

Installation Manual

Model 331, 346, 347, & 349

25 & 55 Gallon Preservative Applicators



P.O. Box 63 • 2821 Harvey Street • Hudson, WI 54016
800-635-7468 • www.harvesttec.com

DECLARATION OF INCORPORATION



MANUFACTURER:

Harvest Tec LLC.
2821 Harvey St.
P.O. Box 63
Hudson, WI 54016, U.S.A.

REPRESENTATIVE ESTABLISHED IN COMMUNITY: Profitable Farming Company
Middle Barlington, Roborough
Winkleigh, Devon, EX19 8AG
ENGLAND

The person above certifies and declares that:

VIRTUAL MACHINE: Equipment mounted on a farm press and for the application of inoculants onto forage crops.

MODEL: 331,346,347,349-17-Imp&Metric

BRAND: Harvest Tec

SERIAL NUMBER:

This application preservatives for hay Harvest Tec system meets the Directive 2006/42/EC of the European Parliament and the Council of 17 May 2006 and other applicable European Directives including Directive 2004/108/EC on the Electromagnetic compatibility.

The application of preservatives for hay Harvest Tec system will be turned on after being installed on a farm press has been declared in conformity with the Machinery Directive.

Person in the community authorized to provide information on the partly completed machinery and making this statement:

Richard Snell, President, Profitable Farming Company
Signed on May 21, 2011: Middle Barlington, Roborough
Winkleigh, Devon, EX19 8AG
ENGLAND

Harvest Tec 331-346-347-349 Installation Table of Contents

	<u>Page</u>
Introduction	5
Model Reference	5
Tools Needed	5
Installation of Applicator	6-39
Installation of mounting brackets, tank, and reach rods	6-20
Model 331	6
Model 346	7-8
Install kit 4481C, 4482C,	7
Install kit 4483C, 4516C & 4546C	8
Install kit 4484C & 4486C	9
Model 349	10-19
Install kit 4503C	11-12
Install kit 4504C, 4517C & 4547C	12
Install kit 4505C	13
Install kit 4508C	14
Install kit 4523C	15
Install kit 4524C	16
Install kit 4526C	17
Install kit 4538C	18-19
Install kit 4543C	20
Model 347	21
Installation of Pump Manifold	22-23
Model 331	23
Model 346 & 347	23
Mounting Control Box	23
Installation of iPad Integration Control	24
iPad Integration Control Light Signals	24
Bluetooth Receiver Lights	24
Placement of spray nozzle assemblies and nozzle tubes	25-32
Install kits 4481C, 4482C, 4483C, 4484C, 4486C, 4504C, 4505C	25
Install kit 4503C & 4508	26-27
Install kit 4516C and 4517C	28
Install kit 4523C & 4543C, 4524C, 4526C	29
Install kit 4538C	30
Install kit 4546C & 4547C	31
Install kit 347-SO	32
Installation of drain fill kit (model 347 & 349 only)	33
Installation of plumbing	33
Installation of latch extension (model 347 only)	33
Installation of moisture sensor pads and disks	33-43
Install kit 4481C	34-35
Install kit 4484C, 4486C, & 4505C, 4523C	35
Install kit 4482C, 4483C, 4504C, 4516C, 4517C, 4546C & 4547C	36
Install kit 4503C	37-39
Install kit 4508C	39
Install kit 4524C	41
Install kit 4538C	42
Install kit 347-SO	43-44
End of Bale Sensor	45
Wiring Diagram	46
Pin Outs	47-48

Table of Contents (continued)

	<u>Page</u>
Parts Breakdowns	49-76
331 Base Kit	49
346 Base kit	50
347 Base kit	50
349 Base kit	51
Moisture Sensors & Hoses	51
Pump Assembly	52
Control Box & Wiring Harnesses	53
End of Bale Sensor Kits	53
300 Solenoid Packages	54
Parts Bag Packages	55
Optional iPad Mini Mounting Kit	56
Optional iPad Display Kit	57
Optional High Output Kit (300RBHTK)	58
Baler Specific Installation Kits	59-76
Install Kit 34725-SO	59
Install Kit 4481C	60
Install Kit 4482C	61
Install Kit 4483C	62
Install Kit 4484C	63
Install Kit 4486C	64
Install Kit 4503C	65
Install Kit 4504C	66
Install Kit 4505C	67
Install Kit 4508C	68
Install Kit 4516C	69
Install Kit 4517C	70
Install Kit 4523C	71
Install Kit 4524C	72
Install Kit 4526C	73
Install Kit 4538C	74
Install Kit 4543C	75
Install kit 4546C	76
Install Kit 4547C	77
Notes	78
Warranty Statement	79

Introduction

Congratulations and thank you for purchasing a Harvest Tec Model 331,346, 347 or 349 applicator. This applicator is designed to apply Harvest Tec buffered propionic acid. Use of alternative products may cause complications. Including inaccurate readings from the flow meter and damage to all parts. Resulting in the warranty being void.

***Made for iPad® running the current iOS operating system**

*iPad is a trademark of Apple Inc., registered in the U.S. and other countries.

300 Series Applicators with serial number before THS07000 will require the THS to be sent to Harvest Tec for a required update in order to use the iPad Integration Module (030-6670C).

Hay App version must be **at least 2.7.1 (or higher)** to operate with the iPad Integration Module (030-6672C)

Model Reference

Baler make	Baler Model	Model	Installation kit	Tank size
Case IH	All RBX & RB series 4 & 5 wide	347	447C-SO	25 Gallon
Case IH	All Rollbelt four and five foot wide	347C	447C-SO	55 Gallon
Case IH	RB 455A	347U	447U-SO	25 Gallon
Challenger	RB 46 & 56	349	4508C	55 Gallon
Challenger	453, 463 & 563	349	4524C	55 Gallon
Claas	All Variant balers	346	4484C	25 Gallon
New Holland	640-688 round balers	346	4486C	25 Gallon
New Holland	630-638 round balers, & BR 730	346	4484C	25 Gallon
New Holland	All BR series 4 & 5 foot wide	347	447C-SO	25 Gallon
New Holland	All Rollbelt four and five foot wide	347C	447C-SO	55 Gallon
New Holland	Rollbelt Utility baler	347U	447U-SO	25 Gallon
John Deere	582 & 854 round balers	349	4503C	55 Gallon
John Deere	5, 6 & 7 series	346	4483C	25 Gallon
John Deere	5, 6 & 7 series	349	4504C	55 Gallon
John Deere	8 & 9 series	346	4516C	25 Gallon
John Deere	8 & 9 series	349	4517C	55 Gallon
John Deere	960, 990	349	4538C	55 Gallon
John Deere	0 Series	346	4546C	25 Gallon
John Deere	0 Series	349	4547C	55 Gallon
Kubota	BV 4160, 4180, 5160	346	4481C	25 Gallon
Kuhn	VB 2160 & 2190	337	437-SO	25 Gallon
Massey Ferguson	800-900 series round balers & 5446-5556 & 2646-2766	349	4508C	55 Gallon
Vermeer	404, 504 & 604 Pro	331	4523C	20 Gallon
Vermeer	504 & 604 Pro 3	349	4543C	55 Gallon
Massey Ferguson	2846-2856A	349	4524C	55 Gallon
Massey Ferguson	4100 V Series	331	4523C	20 Gallon
McHale	V660	349	4526C	55 Gallon
Other	Round balers	346	4484C	25 Gallon
Vermeer	604M & 605M	349	4505C	55 Gallon

Tools Needed

Standard wrench set

Standard screw driver or 5/16" nut driver

Side cutter & Hose

Crescent wrench

SAE sock set

Drill bit set

Hammer

Center punch

Installation of The Applicator

Installation of mounting brackets, tank, and reach rods

Model 331 | Install Kit 4523C

On the front platform of the baler mark the holes as indicated in figure 1. Locate the platform bracket (001-4705C) and position on the top of the platform as shown in figure 2. Using the bracket as a template to mark the location, drill two 5/16" (8mm) holes in the front of the platform and the top of the platform using the dimensions shown. Using the carriage bolts and washers in parts bag 19 loosely secure the two back mounting holes as indicated by the arrow in figure 2.

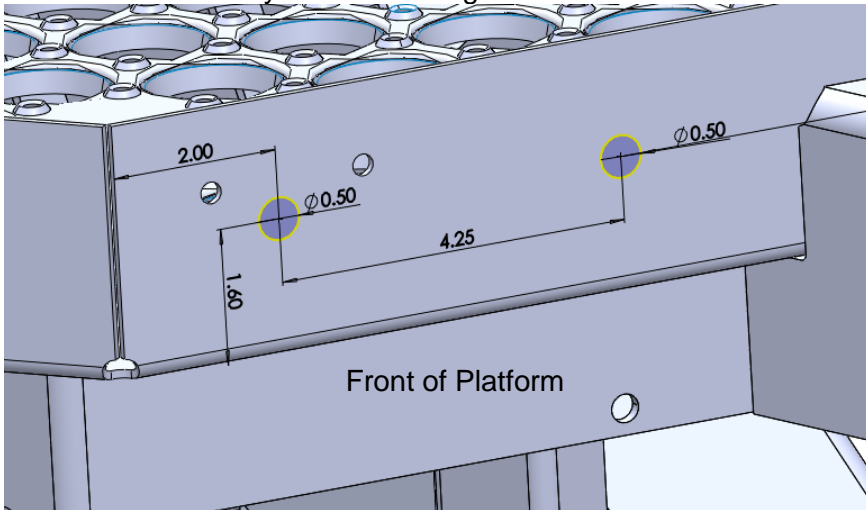


Figure 1

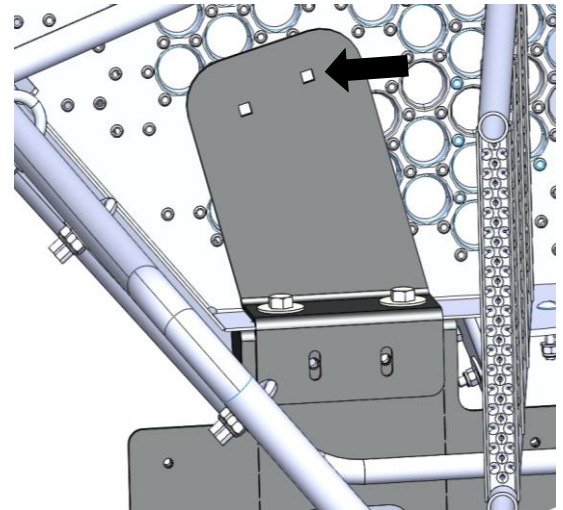


Figure 2

Locate the tank mounting frame (001-4705B) and the support plate (001-4705D) and position as shown in figure 3. The arrow indicates the position of the support plate secure with 1/2" bolts. *Note: The tank mounting frame bracket will be secured to the tank bracket (001-4705A) and the tank (005-4705T) for shipping. Tank may need to be removed to install bolts to mount pump assembly.

Secure the mounting frame to the platform bracket on the top of the platform with 3/8" size bolts. As well as on the bottom of the frame. Be sure the bolt goes through the front of the platform and the platform bracket shown in figure 4.

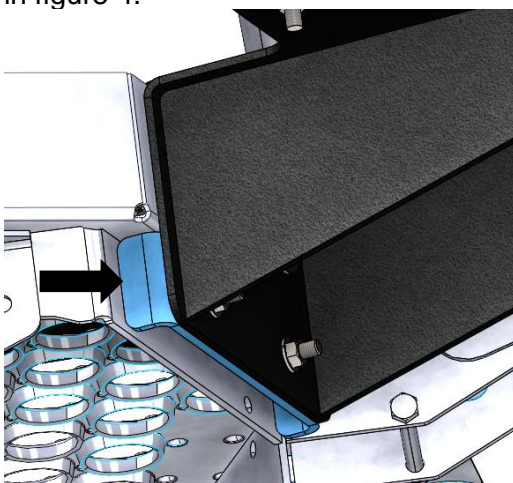


Figure 3

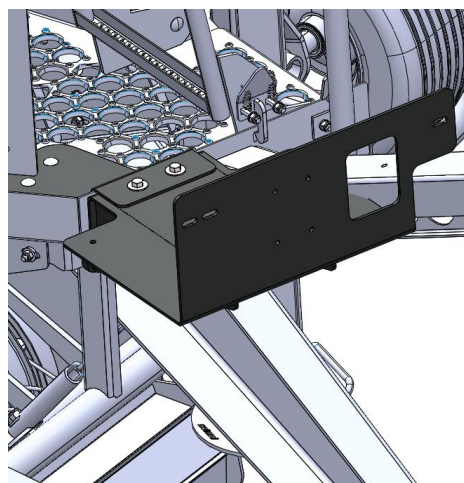


Figure 4

Secure the tank frame bracket (001-4705A) to the platform safety rail with the supplied U-Bolt (001-4714UBS) indicated by the arrow in figure 5. Make sure the tank (005-4705T) is secured to the bracket.

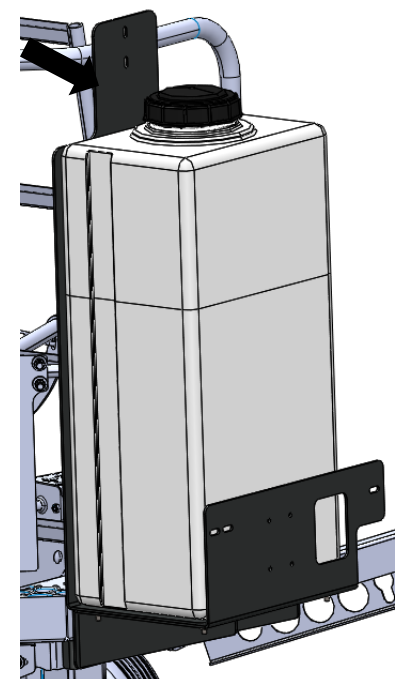


Figure 5

Model 346

Install kit 4481C

Using the one pre-drilled holes next to the baler jack on top of the baler tongue, mount one side support leg (001-4704MAK). Drill second hole to align with support leg hole. Both holes will need to be drilled out to have a 9/16" diameter. Secure with 1/2" x 1 1/2" bolts, pre-drilled holes will need to be drilled out to have a 9/16" (14mm) diameter. Repeat process on opposite side of baler tongue as shown in figure 1. After side supports are secured, mount top tank support (001-4704MK) as show in figure 2 using three 1/2" x 1 1/2" bolts per side. Mount tank saddle (001-4401) using three 1/2" x 1 1/2" bolts onto top support as show in figure 3.

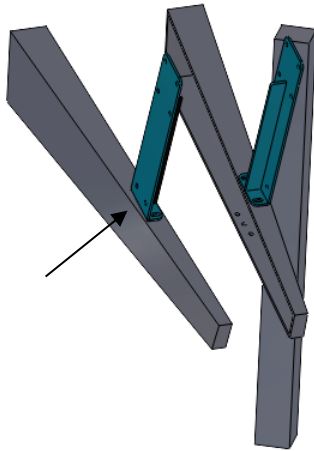


Figure 1

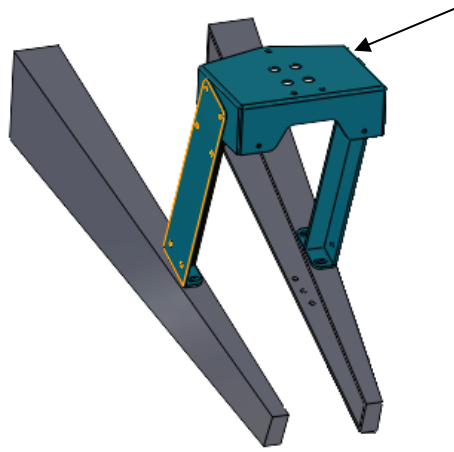


Figure 2

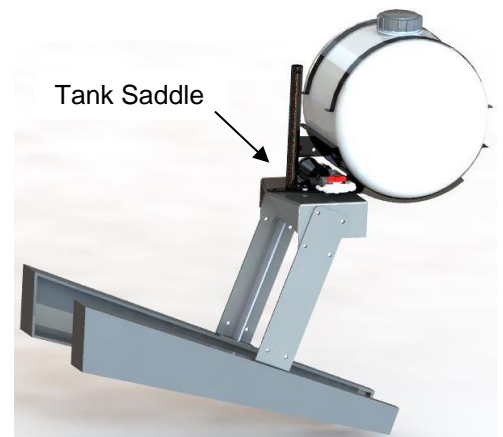


Figure 3

Install kit 4482C

Locate the tank mounting legs (001-4704MAK) the top support bracket (001-4704MRF) the front mount plate (001-4703VZ) and assemble as show in figure 4. Assemble the parts together as shown using the supplied bolts. Point the assembled bracket with the 001-4703VZ toward the baler. Move the tank legs toward the baler until the width of the tongue matches the width of the legs (shown in figure 5). Ensure the assembly is positioned upright, drill the holes and secure. Attach the tank saddle to the assembly as shown in figure 3. Secure the tank to the saddle by using the two supplied tank straps.

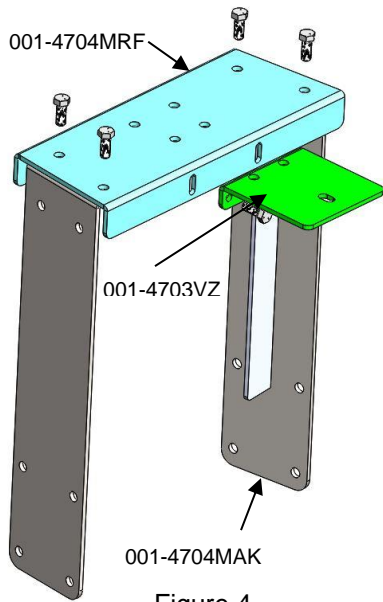


Figure 4

*Reversed View

Figure 5

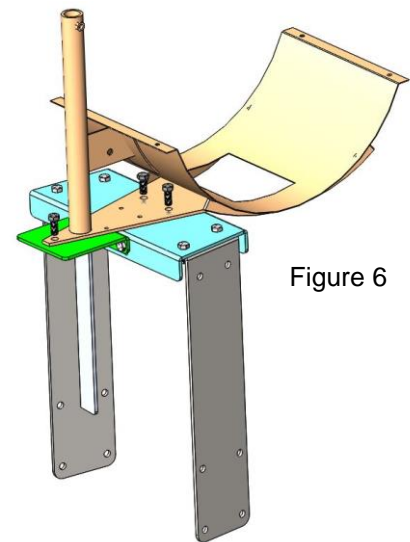
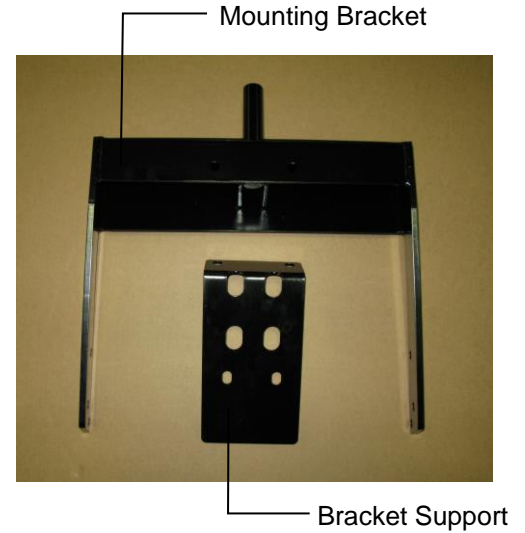
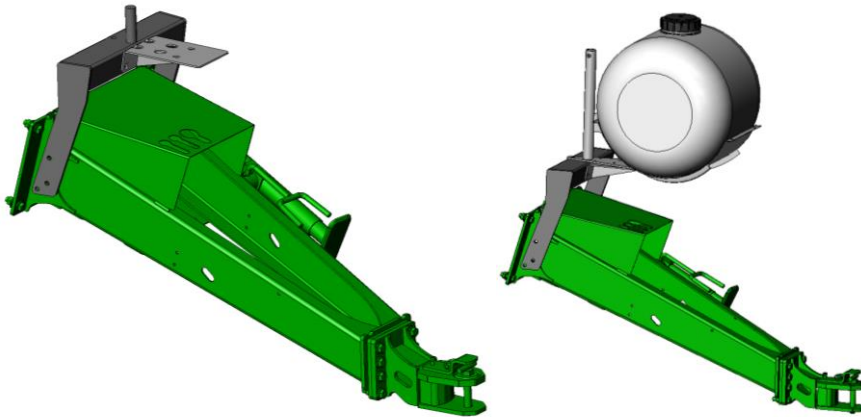


Figure 6

Install kit 4483C, 4516C, 4546C

The base bracket will straddle the baler's tongue resting up against the tongue's intersection with the baler's cross frame (for 8 Series and older). The bracket is bolted to the baler using three bolts on each side holding the tongue to the cross frame. Replace each of these bolts with the longer bolts provided (for 9 Series only two bolts per side are used). The tank mounting bracket may flex when tightening down bolts because some hitches are welded at different angles. Install the tank on top of the stub pipe; the tank saddle will be secured with the 1/2" x 1-1/2" hardware. The bottom support plate will attach to the bottom of the saddle and to the front of the mounting bracket. Tighten down and secure all hardware.



Install kit 4484C

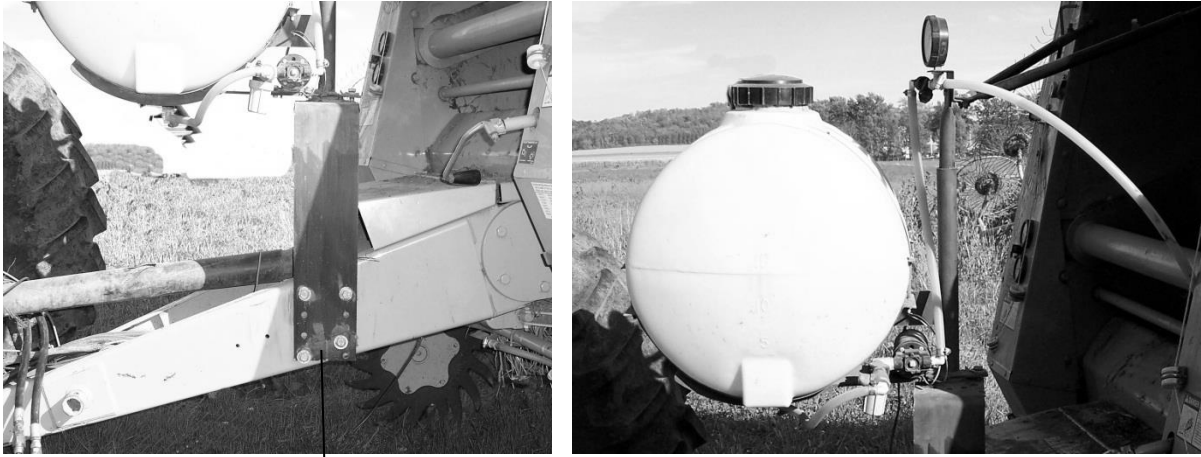


Figure 1

Locate the base bracket (Figure 1) on the baler's tongue or cross frame. Care must be taken to make sure the applicator will be clear of the balers moving parts and the rear wheels of the tractor. Line up the bracket with any existing holes, drill new if necessary. The bracket will be secured with four 1/2" bolts. Mount the tank on top of the stub pipe. Secure with the 1/2" x 1-1/2" bolt and hardware. Secure the reach rods from the top of the stub pipe to the baler forming a V or triangle shape.

Note: Reach rods may have to be bent on the tab to align properly.

Install kit 4486C



Figure 2

Locate the mounting bracket (Figure 2) on the front of the baler's tongue where it joins the hitch acceptor. Use the bolts 5/8" included to join the two parts of the baler. Orient the bracket so the two holes on top of the bracket will face away from the baler this will allow the applicator to face rearward. Install the tank on top of the mounting bracket using two 1/2" x 1-1/2" bolts and hardware. The tank will face towards the baler when installation is complete. Secure the reach rods from the top of the stub pipe to the baler forming a V or triangle shape. The reach rods will need to be connected to the top of the baler to permit easy opening of the twine or net wrap door. Note: reach rods may have to be bent on the tab to align properly.

Model 349

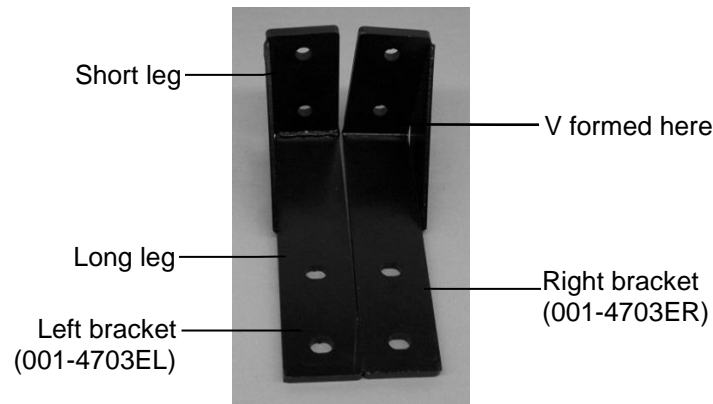
Installation of tank

Locate parts bag 7. Place tank (005-9203) onto saddle (001-4703). Make sure side tank fitting is placed to the baler's left side when looking at it from the front. Attach straps (001-4402) to saddle using 5/16" x 4" bolts. Make sure to double nut all four bolts.

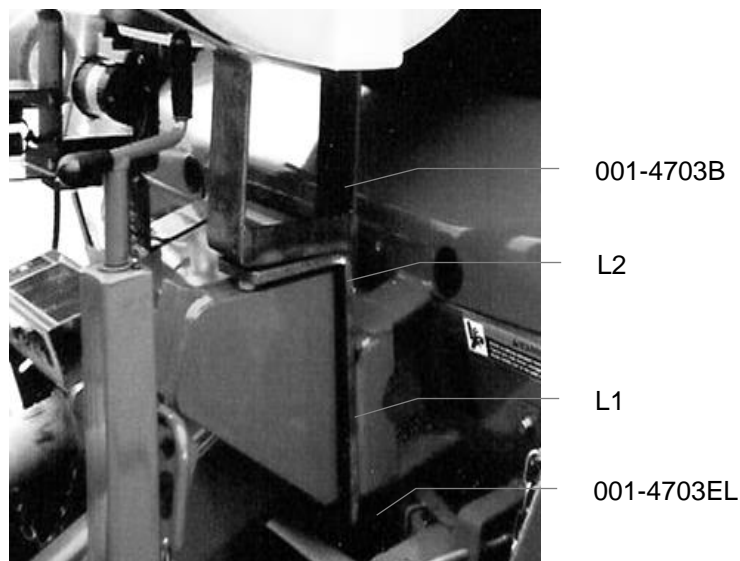
Installation of mounting brackets

Install kit 4503C for John Deere 582 round balers

The mounting brackets are L-shaped. There is a right and left bracket enclosed in the applicator. This can be determined by setting the right and left bracket next to each other with the longer legs lying flat toward you and the shorter legs pointing up. The short leg of the bracket will either touch each other or angle away from each other. Place the brackets so they angle away from each other and form a **V** (see below). The bracket on the left is the left bracket and the bracket to the right is the right bracket.

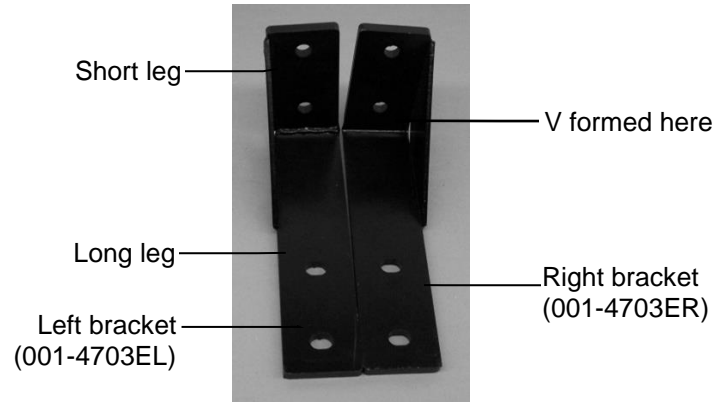


Before installing the brackets, the baler tongue must be supported by some means other than the jack (hooked to a tractor). Looking at the baler from the front, the right bracket bolts to the left side of the hitch using two 1/2" x 2" bolts, washers, lock washers, and nuts (labeled **L1** below). Short leg of brackets will point toward the front of the hitch. Next remove the two bolts holding the jack assembly to a baler (labeled **L2** below). Insert the right L-bracket between the jack assembly and baler. Bolt together with two M16 x 70mm bolts. Attach the tank legs (001-4703B) to the tank saddle with 3/8" x 1" bolts, locks, and flat washers. Attach the saddle legs to the mounting bracket with 1/2" x 1-1/2" bolts, locks, nuts and flat washers.



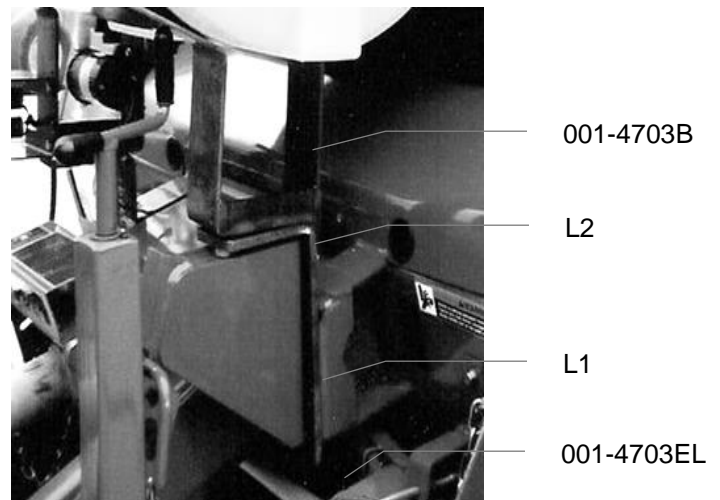
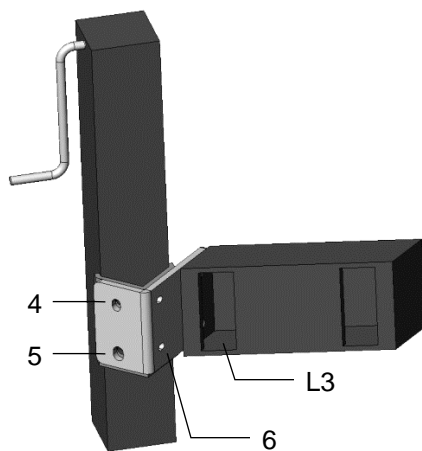
Install kit 4503C for John Deere 854 balers

The mounting brackets are L-shaped. There is a right and left bracket enclosed in the applicator. This can be determined by setting the right and left bracket next to each other with the longer legs lying flat toward you and the shorter legs pointing up. The short leg of the bracket will either touch each other or angle away from each other. Place the brackets so they angle away from each other and form a **V** (see below). The bracket on the left is the left bracket and the bracket to the right is the right bracket.



Before installing the brackets, the baler tongue must be supported by some means other than the jack (ex. hooked to a tractor). Looking at the baler from the front, the right bracket bolts to the left side of the hitch using two M16 x 55mm bolts, washers, lock washers, and nuts (labeled **L1** below). Short leg of brackets will point toward the front of the hitch. Next remove the two bolts holding the jack assembly to a baler (**L2** below).

Remove the jack from the mounting bracket and install jack extension (001-4703EXT) as shown below (3). Use the supplied hardware to mount the jack to the extension (*hole 4* M16x2mm) (*hole 5* M20x2.5mm) (*hole 6* M12 x 1.75mm), and use the factory jack hardware and mounting plates to mount the extension to the baler. Insert the right L-bracket between the jack assembly and baler. Bolt together with two M16 x 70mm bolts. Attach the tank legs (001-4703B) to the tank saddle with 3/8" x 1" bolts, locks, and flat washers. Attach the leg with 1/2" x 1-1/2" bolts, locks, nuts and flat washers.



Install kit 4504C, 4517C & 4547C

Attach L-shaped brackets part 001-4703DL and 001-4703DR will attach to the baler with M12 x 45 mm bolts (Figure 1). Attach legs part 001-4703B to the tank saddle with 3/8" x 1" bolts, lock and flat washers. Three bolts will be used per side on 8 Series balers and two bolts per side with the 9 Series balers. When both sides have been attached place the legs on top of the bracket (Figure 2). The legs will attach to the brackets with 1/2" x 1-1/2" bolts, nuts, flat, and lock washers. Install both sides of legs before tightening down any of the bolts.

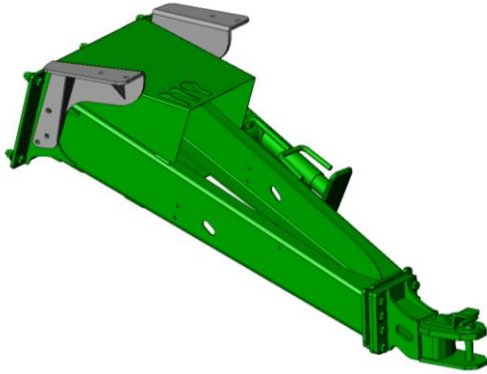


Figure 1

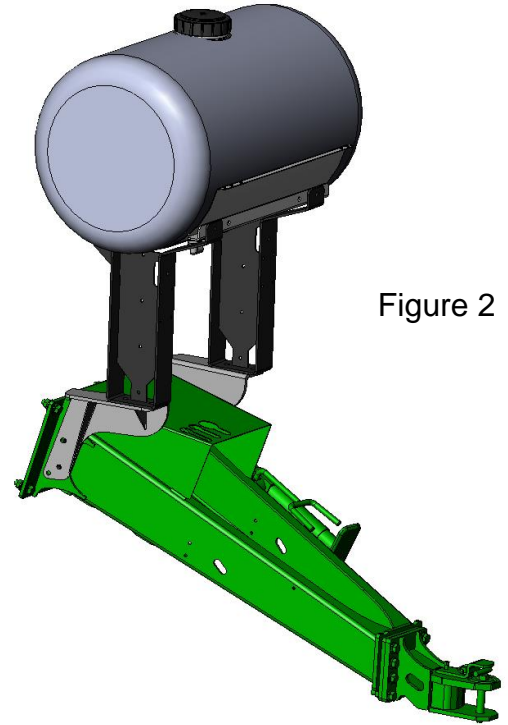
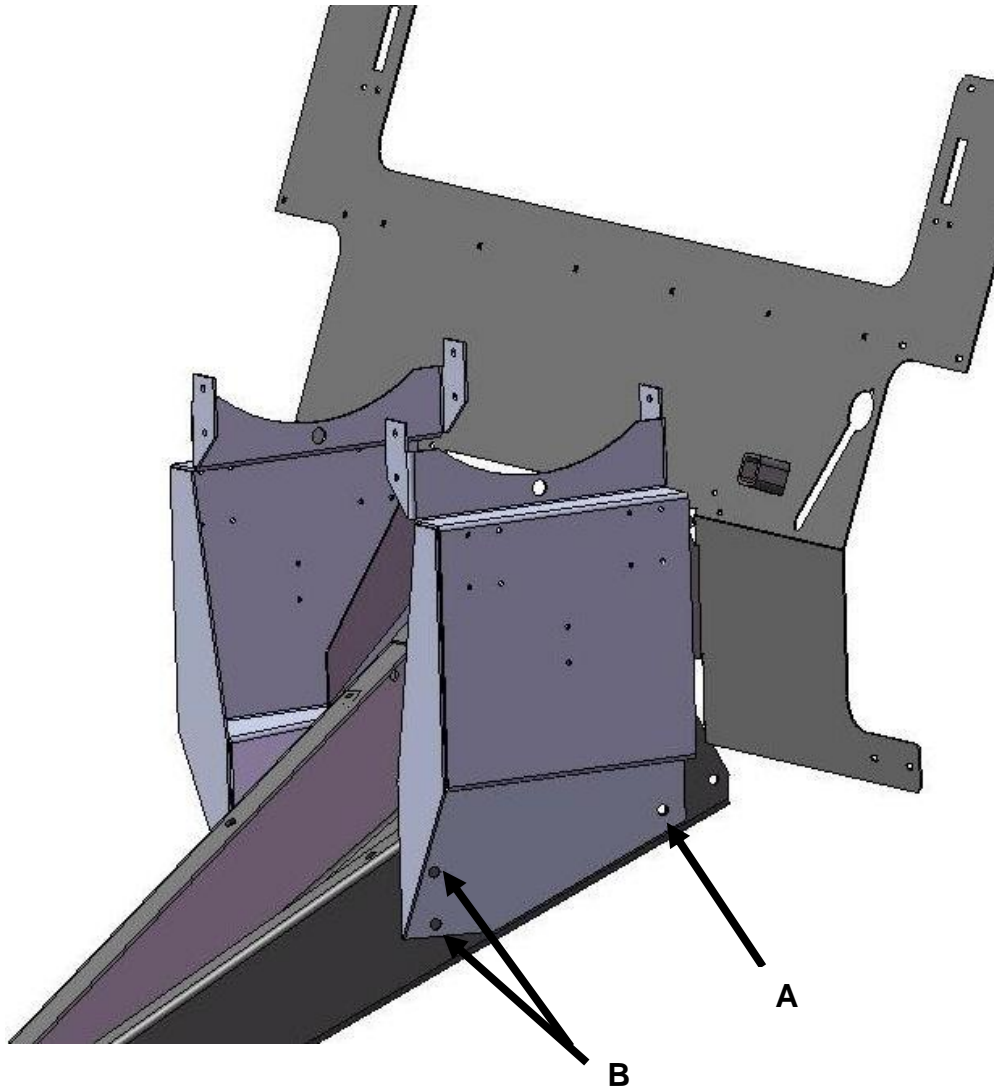


Figure 2



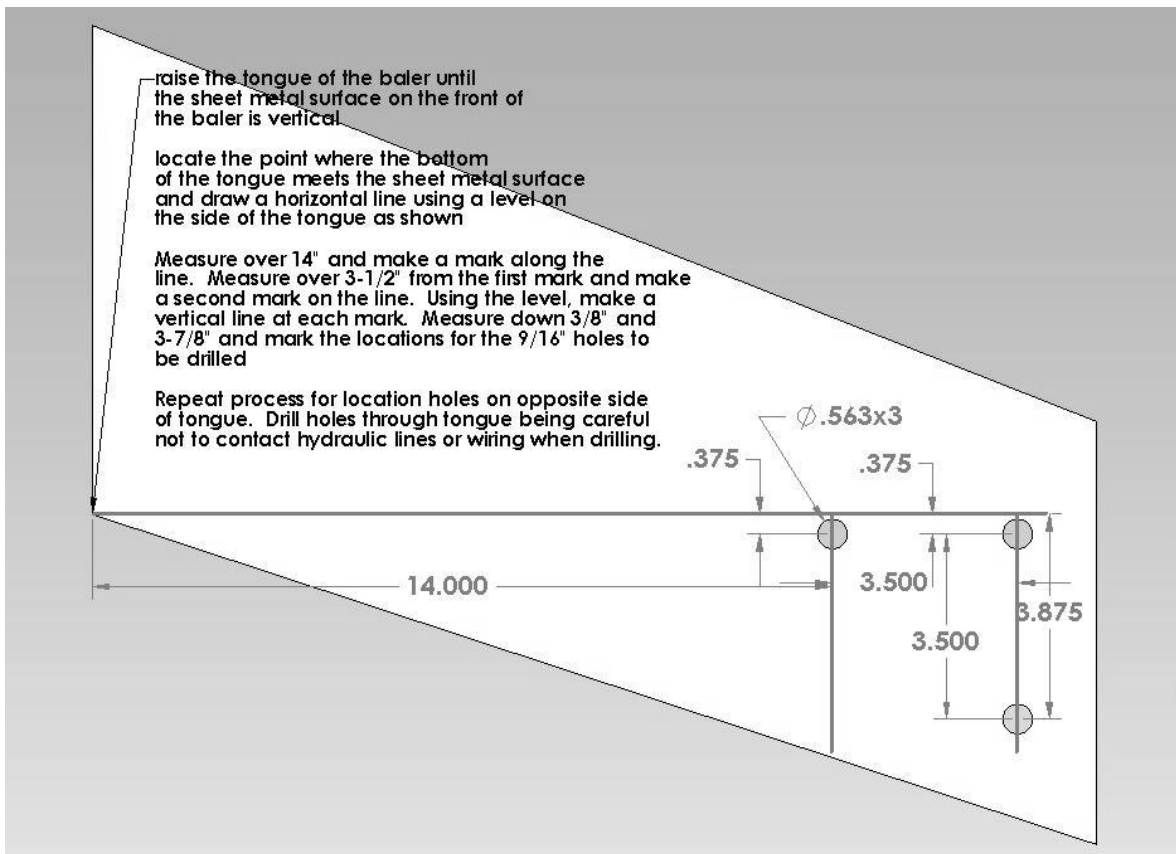
Install kit 4505C

Locate legs part 001-4703FL and part 001-4703FR. These legs will attach to the tongue of the baler using the one existing hole per side as shown by arrow A. If the holes are not pre-dilled, hole A will need to be located 8" (20cm) down from the top of the hitch rail and 4.75" (12cm) from the end of the hitch rail. Loosely attach the legs to point A and mark the two holes that will need to be drilled as shown by arrow B with a 9/16" (14mm) bit. Attach legs loosely using the two existing bolts and lock nuts and four 1/2" x 1-1/4" bolt, nuts, locks and flat washers. Install tank and saddle assembly. Tighten all leg hardware after the tank has been installed.



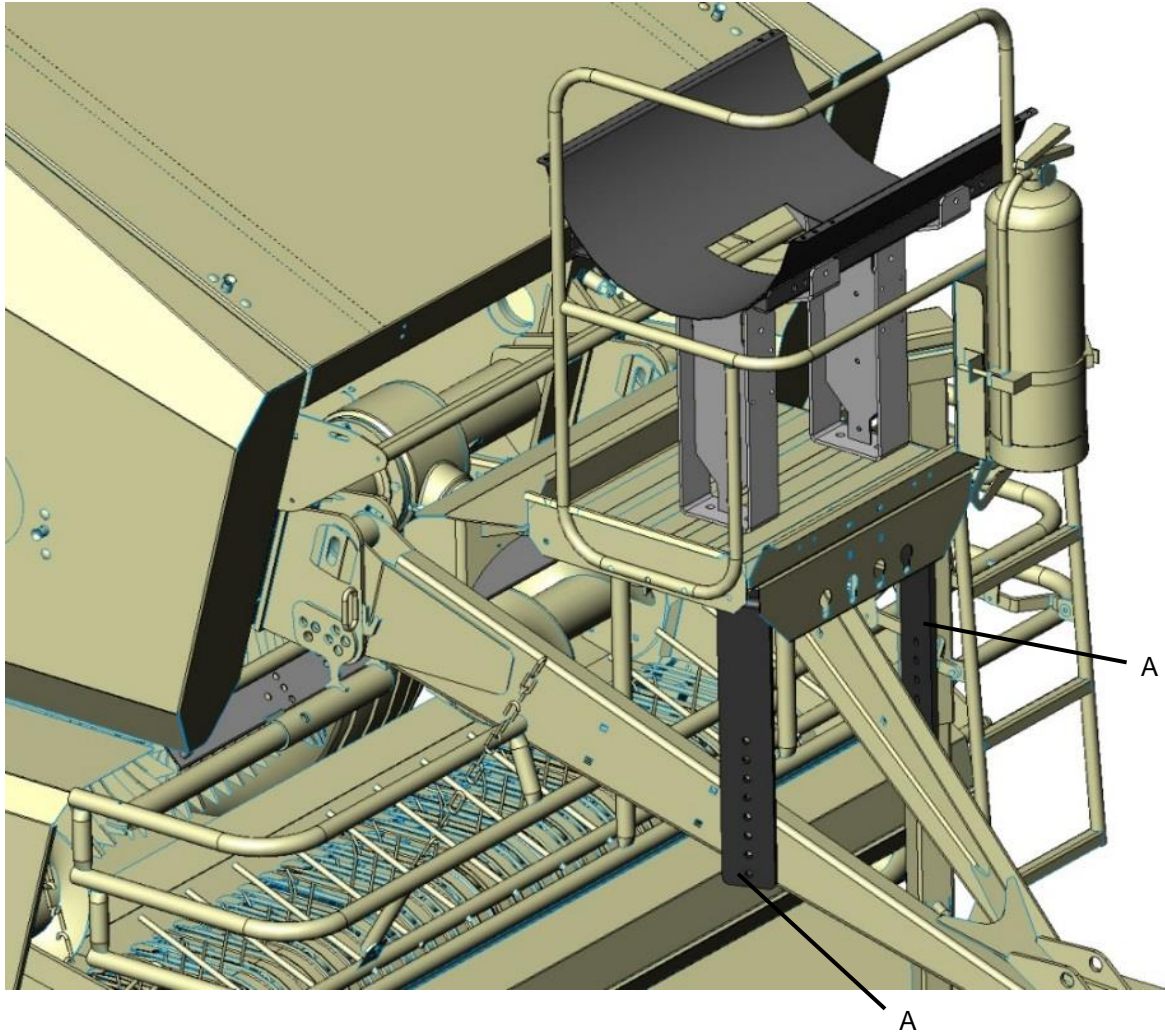
Install kit 4508C

Locate legs part 001-4703K and part 001-4703L. Use the diagram below to locate the placement of the holes you will need to drill. You will need to drill three 1/2" (13mm) holes per side of tongue. After drilling the holes you will need to loosely attach the legs to the tongue with 1/2" X 2" bolts with locks, nuts, and flat washers (Figure 1). Attach the saddle (001-4703) and tank assembly on top of the legs using 3/8" x 1" bolts and lock washers (Figure 2). Do not tighten down 3/8" bolts all the way. Once saddle is attached to legs tighten down bolts and nuts attaching the legs to the tongue. Now tighten down bolts attaching saddle to legs.



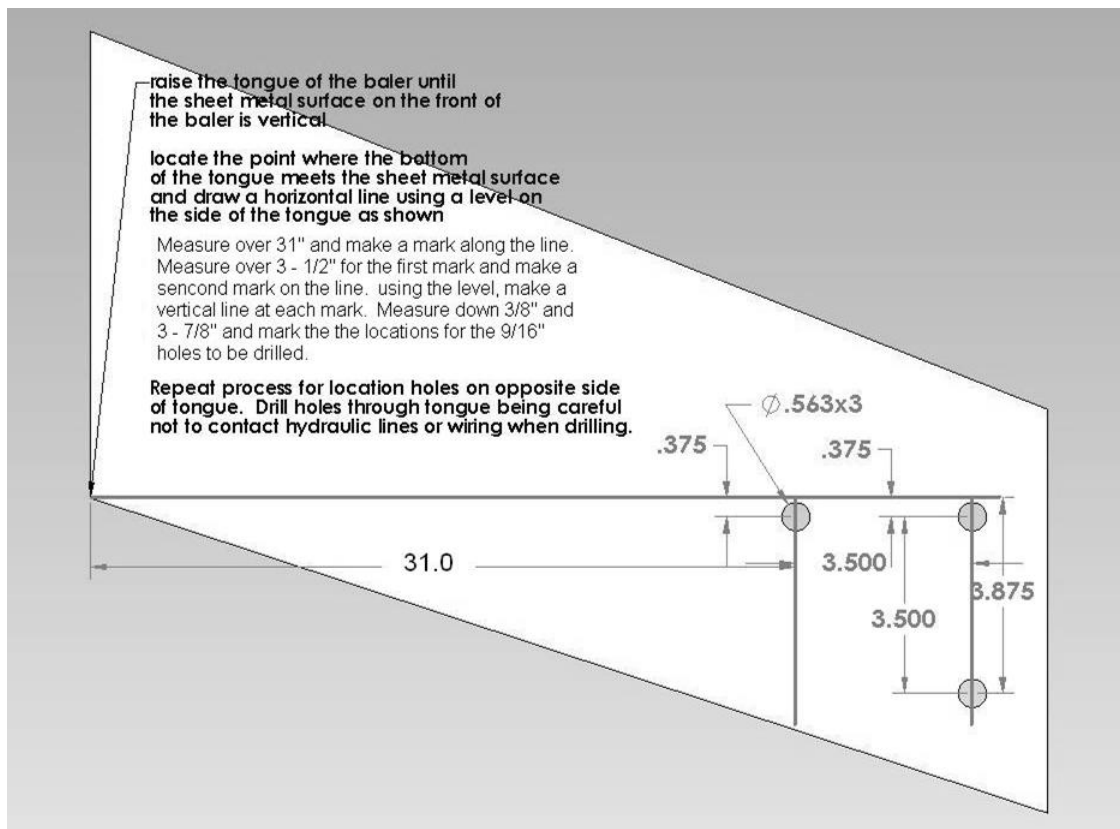
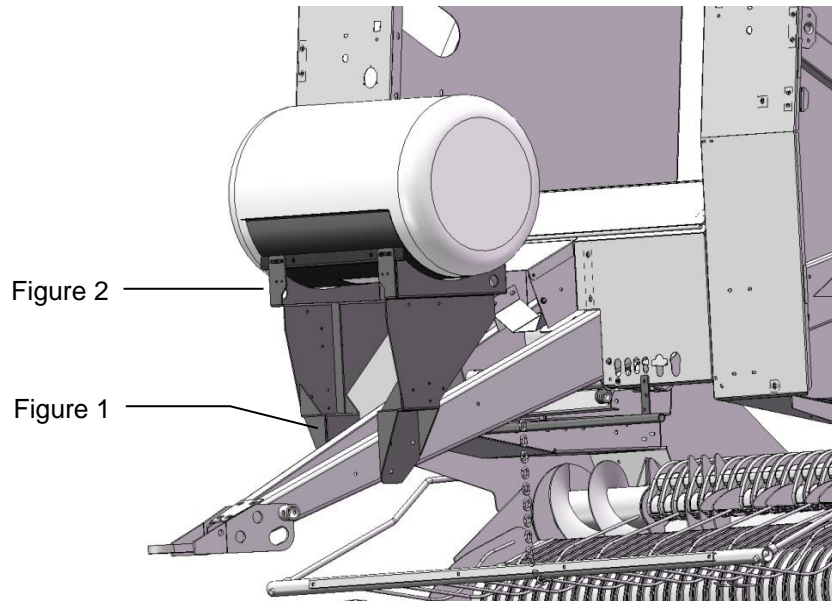
Install Kit 4523C

Mount the saddle and legs on the baler as shown in the picture below. Push the tank as far forward as possible and mark the four 1/2" (13mm) holes that will need to be drilled. Locate the two support legs (001-4704JR & 001-4704JL) shown below (A). Align the support legs below the tank legs and attach through the baler platform using four 1/2" x 1-1/2" bolts, locks, flats and nuts. Mark and drill four 9/16" (14mm) holes where the support legs (A) meet the baler hitch. Attach the legs to the baler frame using four 1/2" x 1-1/2" bolts, locks, flats and nuts. Tighten all hardware.



Install kit 4524C

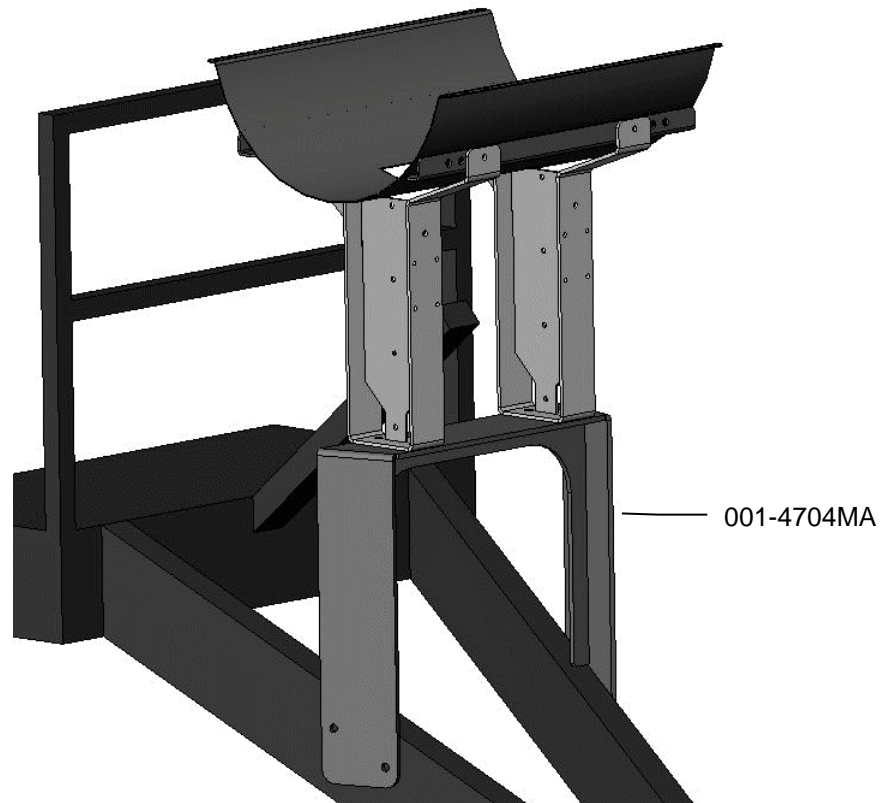
Locate legs part 001-4703K and part 001-4703L. Use the diagram below to locate the placement of the holes you will need to drill. You will need to drill three 1/2" (13mm) holes per side of tongue. After drilling the holes you will need to loosely attach the legs to the tongue with 1/2" X 2" bolts with locks, nuts, and flat washers (Figure 1). Attach the saddle (001-4703) and tank assembly on top of the legs using 3/8" x 1" bolts and lock washers (Figure 2). Do not tighten down 3/8" bolts all the way. Once saddle is attached to legs tighten down bolts and nuts attaching the legs to the tongue. Now tighten bolts attaching saddle to legs.



Install kit 4526C

Locate the mounting bracket (001-4704MA). Mount the bracket on the baler hitch and move towards the baler until the mounting bracket contacts both sides of the baler hitch. Mark and drill four 1/2" (13mm) holes and attach the mounting bracket using four 1/2" x 1-1/2" bolts, locks, flats, and nuts. Tighten hardware.

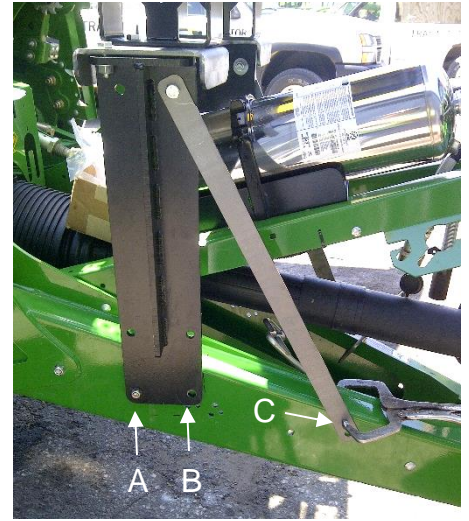
Mount the legs and saddle to the top of the mounting bracket (001-4704MA). Use four 1/2" x 1-1/2" bolts, locks, flats, and nuts. Tighten hardware.



Tank Mounting – 4538C Kit

*Illustrated Installation on next page

The tank mounting uses 1 existing bolt on each side of the tongue. Locate the net wrap cap bracket on the inside of the right side of the tongue. Remove the bracket. Drill out the front hole to 9/16" (14mm) diameter (A). Reinstall net wrap cap bracket with one existing bolt/nut in the back mounting hole. Place the rear, bottom hole on tank support, 001-4704MA, on the newly drilled hole. Use supplied hardware, 1/2" x 1-1/4" hex bolt, washer, lock washer, and nut to secure tank support. Ensure the bracket is vertical, then mark and drill the front, bottom hole for the tank support (B). Secure with same hardware. Use tank support brace, 001-4704MDJ, to secure the tank support to a 3rd point further forward on tongue (C). Mark and drill 9/16" (14mm) diameter hole. Secure top and bottom of brace with 1/2" x 1-1/4" hex bolt, washer, lock washer, and nut.



Locate existing hole on left side of tongue, opposite of the existing hole used on the right side of the tongue. Drill hole out to 9/16" (14mm) diameter as done on previous side. Place the rear, bottom hole of tank support, 001-4704MA, over newly drilled hole and secure with 1/2" x 1-1/4" hex bolt, washer, lock washer, and nut. Ensure the bracket is vertical, then mark and drill front hole of support, secure with 1/2" x 1-1/4" hex bolt, washer, lock washer, and nut. Use tank support brace, 001-4704MDJ, to secure the tank support to a 3rd point further forward on tongue (C). Mark and drill 9/16" (14mm) diameter hole. Secure top and bottom of brace with 1/2" x 1-1/4" hex bolt, washer, lock washer, and nut.



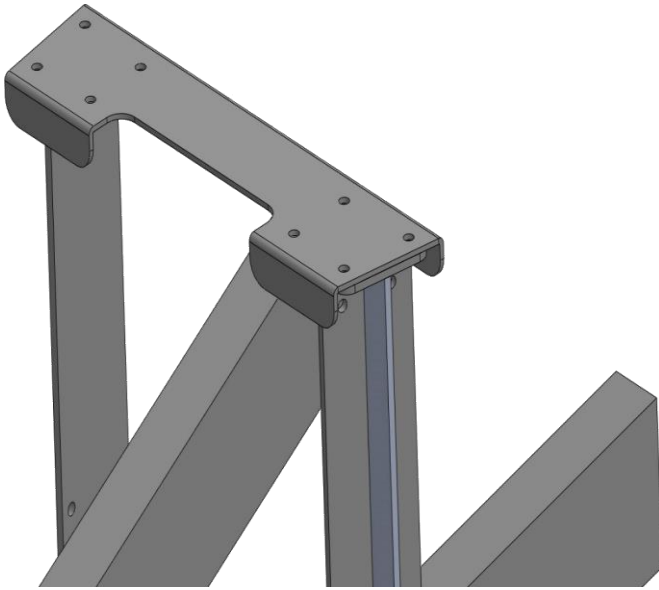
With the two tank supports, 001-4704MA, mounted to each side of tongue, install the cross member support, 001-4704MEJ, on the top of both 001-4704MA supports. The outer most holes on the cross member should line up with the tank supports. Use 1/2" x 1-1/4" hex bolt, washer, lock washer, and nut to secure bracket. Install both tank legs, 001-4703B, to the remaining four holes on the cross member using 1/2" x 1-1/4" hex bolt, washer, lock washer, and nut. Only snug bolts at this time.

Place tank and saddle assembly on top of the leg supports. The two inner most holes on the saddle should line up with the leg supports. Start the hardware that connects the legs to the saddle, 3/8" x 1" hex bolt, lock washer, and flat washer. Once all four bolts are started, tighten the bolts that secure the leg supports, 001-4703B, to the cross member, 001-4704MEJ. With the legs tightened to cross member, then you can tighten the legs to the saddle.

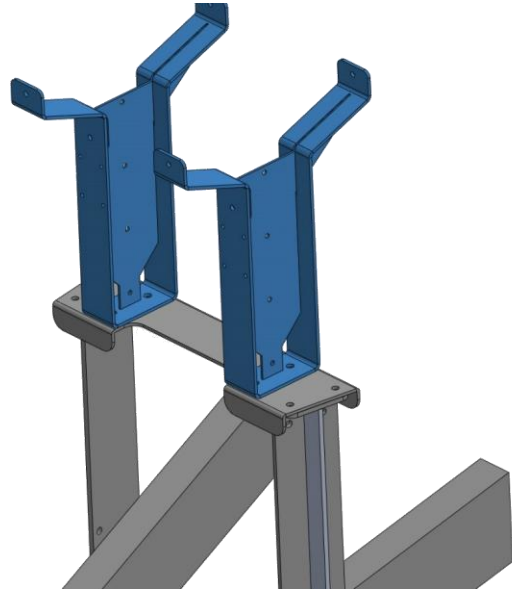


Tank Mounting (continued)

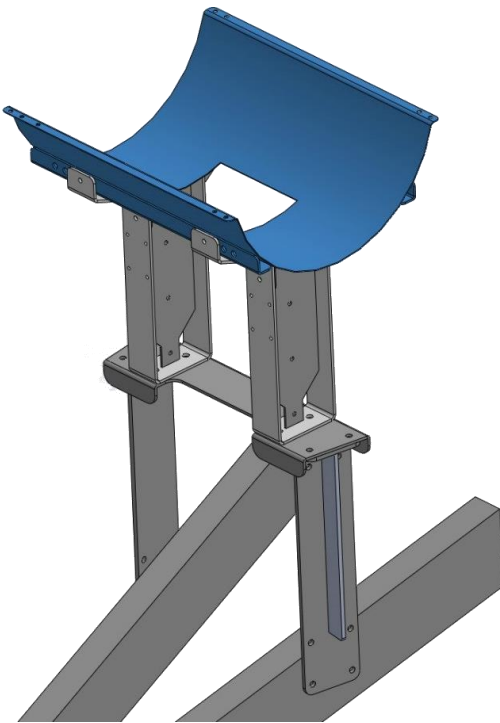
Illustrated Installation – 4538C Kit



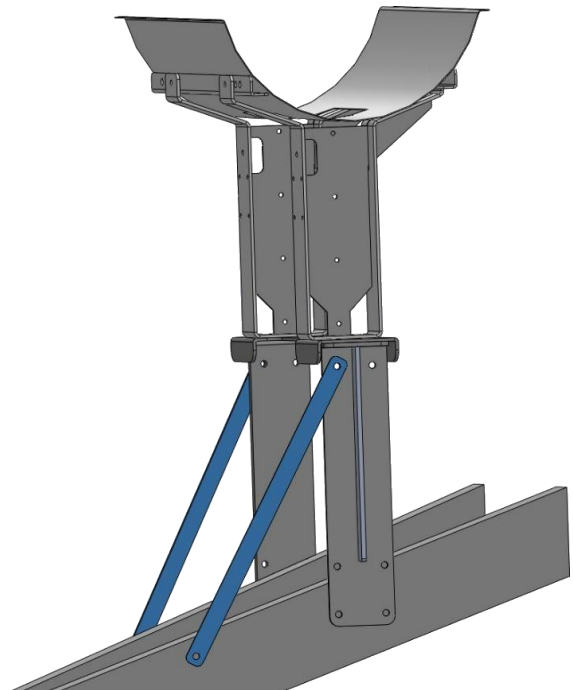
Step 1



Step 2



Step 3

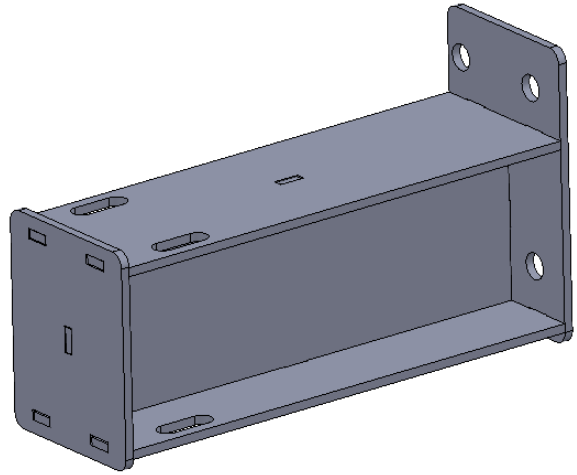


Step 4

Installation Kit 4543C

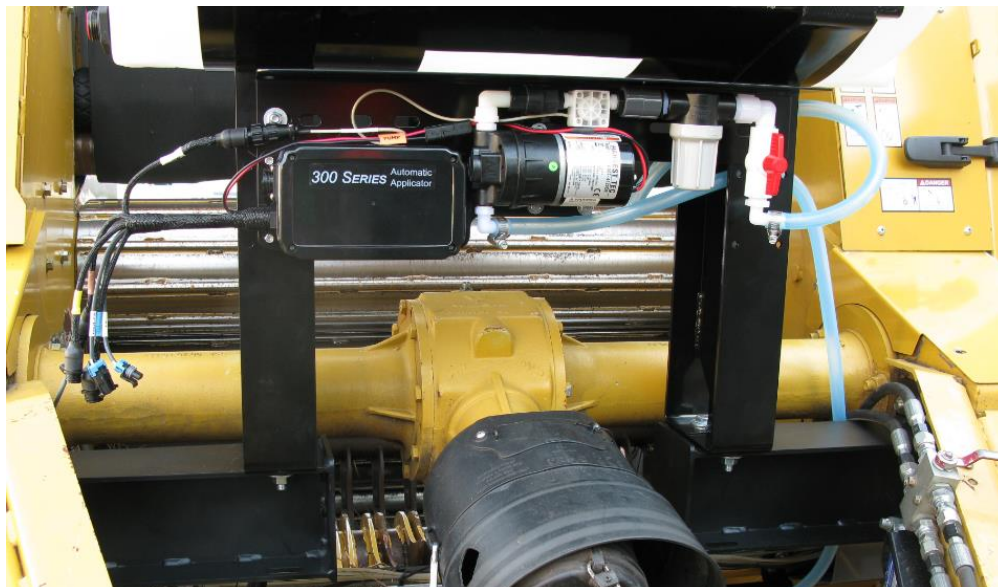
Locate parts bag 16 and the two tank leg support brackets (001-6055VER & 001-6055VEL) shown right.

Using the bolts already in place on the baler tongue where it meets the baler remove the bolts and install the 001-6055VER & 001-6055VEL brackets and securing with the original bolts and nuts (below)



Place the tank saddle legs (001-4703B) on top on top of the mounting brackets and secure with nuts, washers and bolts in parts bag 16 as shown below.

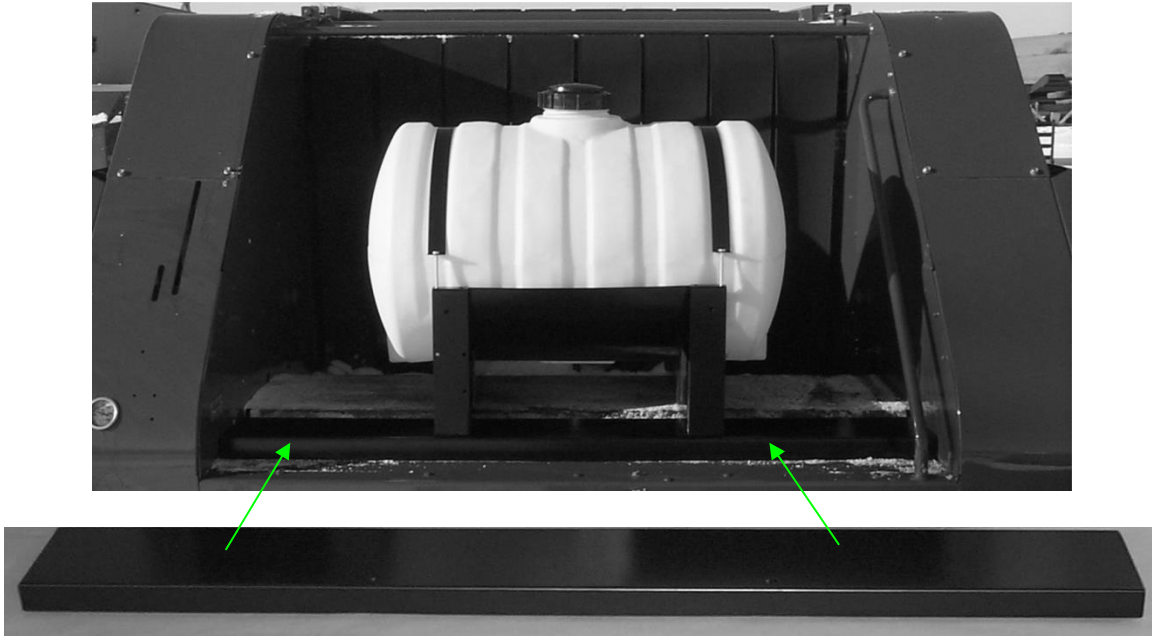
Place tank and saddle assembly on top of the leg supports. Start the hardware that connects the legs to the saddle, 3/8" x 1" hex bolt, lock washer, and flat washer. Once all four bolts are started, tighten the bolts that secure the tank supports.



Model 347

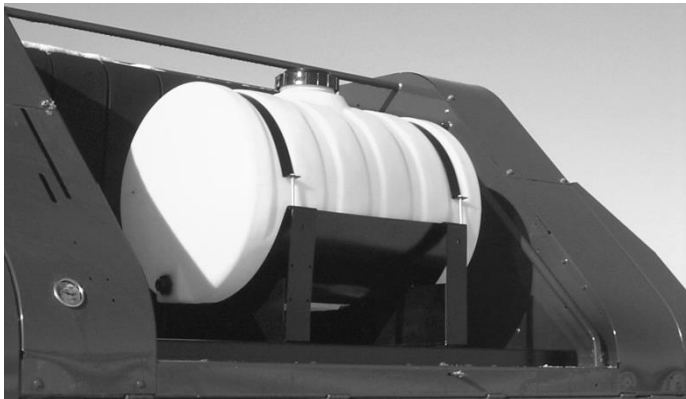
Installation of the cross support for 55 gallon model only

Locate parts bag 14. Locate the cross support (001-4445B) on the front shelf of the balers pictured below. It will butt up against step-up on the shelf and line up flush with its upper surface. Mark and drill a 9/16" (14mm) hole on each side sheet to hold cross piece in place with two 1/2" by 1-1/4" bolts, fender, and lock washers.



Mounting the tank and saddle on baler

Locate parts bag 11. Locate the tank and frame on the shelf. Center it from side to side. On 55-gallon (210L) models, the tank positioning going from front to back is set by lining up the front base holes with the holes in the cross support. On 25-gallon (100L) models, line up the front tank legs with the front of the baler's shelf. Mark and drill all base holes with a 9/16" (14mm) drill. Use the 1/2" by 1-1/4" bolts, lock washers, fender washers, and nuts provided to secure the frame.



55 Gallon System



25 Gallon System

Installation of Pump Manifold

Model 331

Locate the pump assembly (PMP-3636MT) figure 1. Attach the assembly to the tank frame (001-4705B) using the predrilled holes as shown in figure 2.



Figure 1

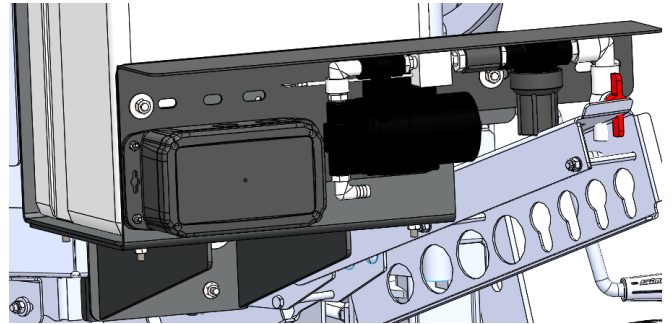


Figure 2

Model 346

Locate the pump assembly. Attach the assembly to the tank saddle (001-4401). Remove the nuts from the bolt and position the pump assembly as shown in figure 3. Reattach nuts and secure assembly to the saddle.



Figure 3

Kubota Balers (4481C Install Kit)

Locate the pump assembly. Attach the assembly to the tank saddle (001-4401). Remove the nuts from the bolt and position the pump assembly as shown in Figure 1. Reattach nuts and secure assembly to the saddle. Mount tank saddle (001-4401) using three 1/2" x 1 1/2" bolts onto top support (001-4704MK) as show in figure 4.



Figure 4

Mounting Control Box - 346

Locate the Three Hundred Series control box (006-3671RB) and two vinyl clips (008-9013) from parts bag 17. Mount the control box to the stub pipe by using two 1/4" x 1" bolts, 1/4" flat washers, and 1/4" Nylock nuts, threaded through the mounting holes on control box (Figure 5). The control box will mount on the stub pipe as shown in Figure 6.



Figure 5



Figure 6

Model 347

Locate parts bag 8, pump assembly (PMP-3636P) and pump mount (PMP-3636MT). Assemble as shown in figure 7. Using two 3/8" x 1-1/4" bolts, locks, and flat washers to the saddle, mount the pump assembly to the tank saddle (001-4445A) as shown in figure 8.

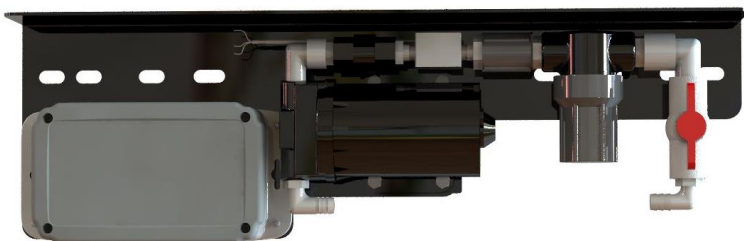


Figure 7

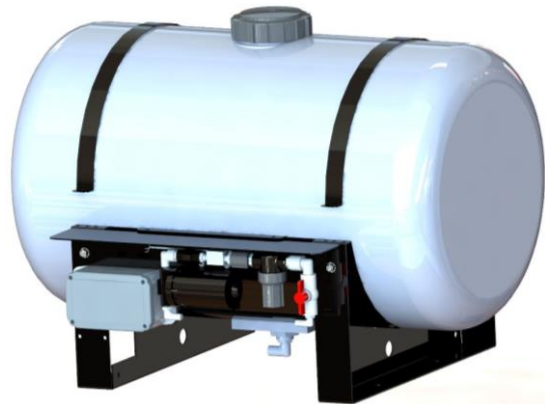


Figure 8

Model 349

Locate parts bag 8, pump assembly (PMP-3636P) and pump mount (PMP-3636MT). Assemble as shown in figure 8. Using two 3/8" x 1-1/4" bolts, locks, and flat washers to the saddle, mount the pump assembly to the tank legs (001-4703B) as shown in figure 9.

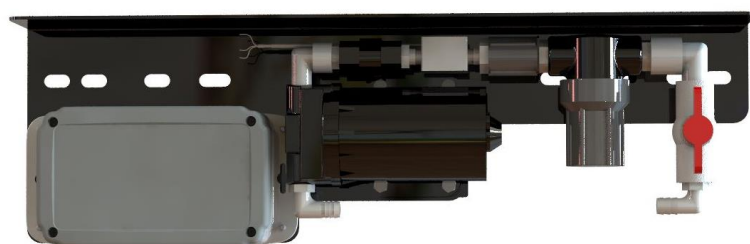


Figure 8



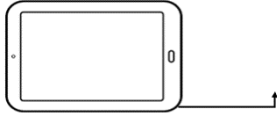
Figure 9

Installation of iPad Integration Control

Locate a safe location in the cab of the tractor to place the iPad Integration Control (030-6672C). Recommended location is securely fastened out of the operators way in a location that is close enough to reach with the iPad cord.

Connect the Power / Communication harness (006-6650TM(E)) to the bottom of the receiver.

To operate the applicator, plug the iPad cord into the communication port indicated by:



iPad Integration Control Light Signals

Green Slow Blink – Power supplied to the applicator system and the unit is going through its startup process. This will take approximately 25-35 seconds.

Green Double Blink – Indicating the iPad module recognizes the iPad but the app is not open or connected.

Green Solid Light – Module is connected to the app and is ready to operate.

*Recommended to use the USB cable included with the applicator kit (006-6672USBC)

Bluetooth Receiver Lights

Pre-2020 applicators equipped with Bluetooth receivers (030-6672B) are now equipped with lights to indicate both power and Hay App connection on the Apple iPad. Clean light regularly

Blinking Lights – System is waiting for the processor to connect, which could take up to 35 seconds.

Red Light – The Bluetooth receiver has power

Green Light – The Bluetooth receiver is connected to the Hay App.



300 Series Applicators with serial number before THS07000 will require the THS to be sent to Harvest Tec for a required update in order to use the iPad Integration Module (030-6670C).

Hay App version must be **at least 2.7.1 (or higher)** to operate with the iPad Integration Module (030-6672C)

*Made for Apple iPad badge

Use of the Made for Apple iPad badge means that an accessory has been designed to connect specifically to the Apple product(s) identified in the badge and has been certified by the developer to meet Apple performance standards. Apple is not responsible for the operation of this device or its compliance with safety and regulatory standards.

Please note that the use of this accessory with an Apple product may affect wireless performance.

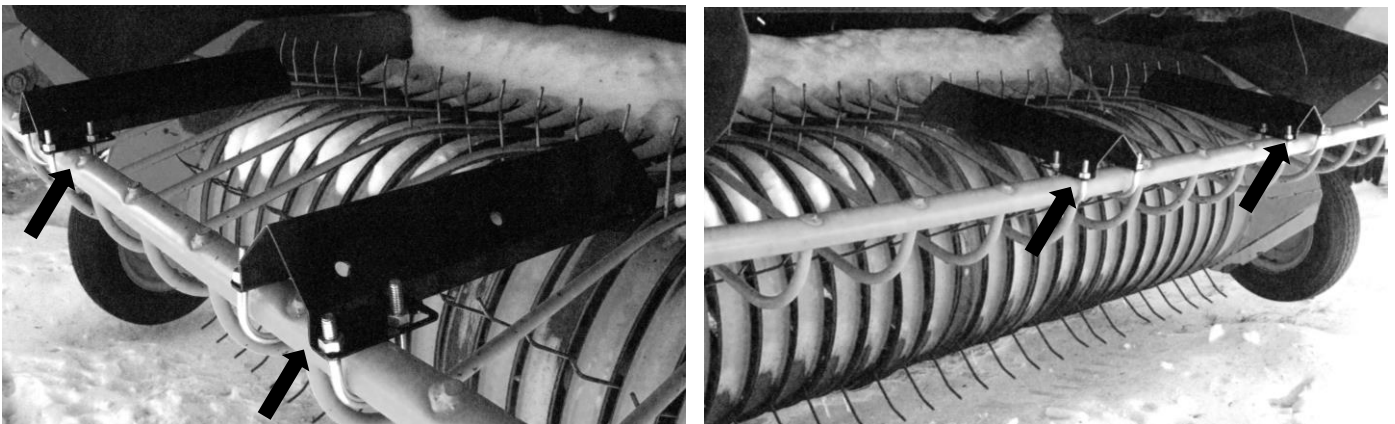
Placement of spray holders

Install kits 4481C*, 4482C, 4483C, 4484C, 4486C, 4504C, 4505C

***Note: Use the information below for 4481C kit when baler is not equipped with roller wind guard. If your baler does have a roller wind guard, refer to bottom of page instructions.**

The cross bar on the wind guard above the pick-up head provides a mounting point for the nozzle holders (001-4714J). Mount the nozzle holders on the wind guard, using the supplied U bolts (001-4714UBS). Measuring from the center of the baler, the nozzle holders will need to be 6" (15cm) apart on a 4' (1.2M) and 9" (23cm) apart on a 5' (1.5M) Do not fully tighten.

Position the nozzle holders so that the tips spray in a horizontal direction over the top of the baler's pickup. The tips should be located so that they will be between 14" and 18" (35 - 45 cm) from the normal path of hay. Make sure the nozzle holders do not interfere with the tying system. *It is recommended to test the system with water prior to field operation. This will ensure the fan pattern from the tips reaches the outside edges of the pickup while having a slight overlap in the center.



Install kit 4481C - When baler is equipped with *Roller Wind Guard*

Locate the spray nozzle tube holder (001-4703TP) shown in figure 1. Situate the holder on the baler tongue, using the bottom pre-drilled hole to line up with the top hole on the pipe holder bracket (001-4703TH), shown in figure 2 and 3. Mark the location on the second hole down on the pipe holder bracket and drill a 5/16" (8mm) hole on both sides of the baler tongue. Attach the holder using two 3/8" x 1" bolts, locks, flats, and nuts. Mount the nozzle holders on the wind guard, using the supplied U bolts (001-4714UBS). Measuring from the center of the baler, the nozzle holders will need to be 6" (15cm) apart on a 4' (1.2M) and 9" (23cm) apart on a 5' (1.5M) Do not fully tighten.



Figure 1



Figure 2



Figure 3

Install kit 4503C

The top cross bar above the full-shielded wind guard provides a mounting point for the short nozzle holder (Figure 1). The nozzles will point towards the baler, and a notch may need to be cut on the lip of the full-shielded wind guard for clearance of the elbow. Space the nozzles by the chart below:

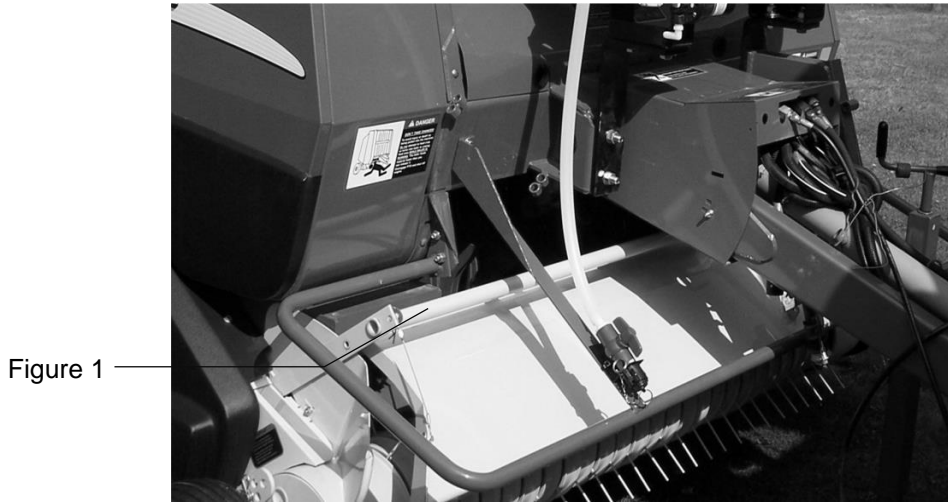
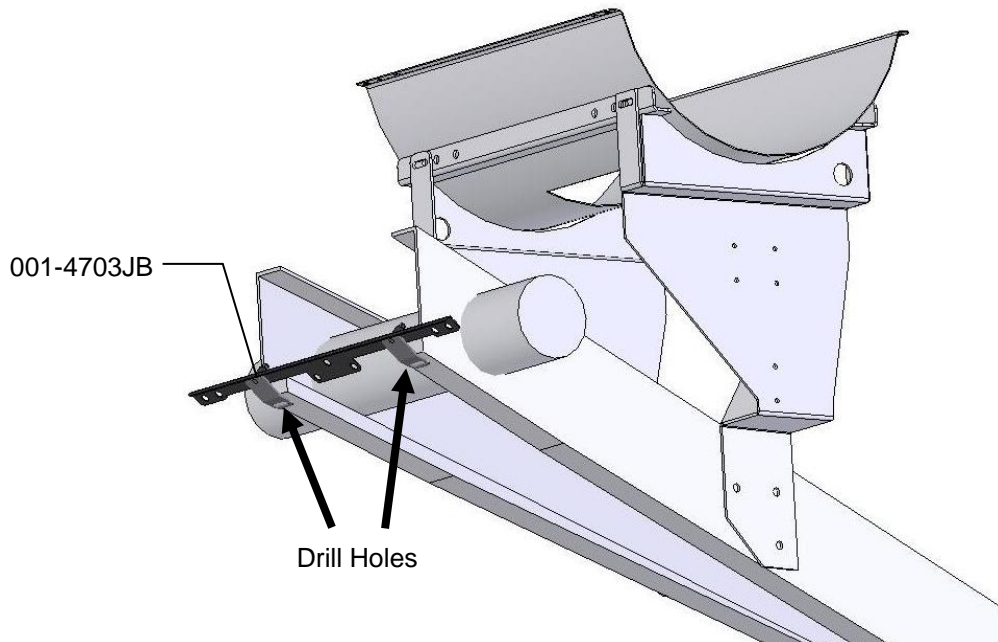


Figure 2

The cross bar on the wind guard above the pick-up head provides a mounting point for the nozzle holders (001-4714JS). Mount the nozzle holders on the wind guard, using the supplied U bolts (001-4714UBS). Measuring from the center of the baler, the nozzle holders will need to be 6" (15cm) apart on a 4' (1.2M). Do not fully tighten.

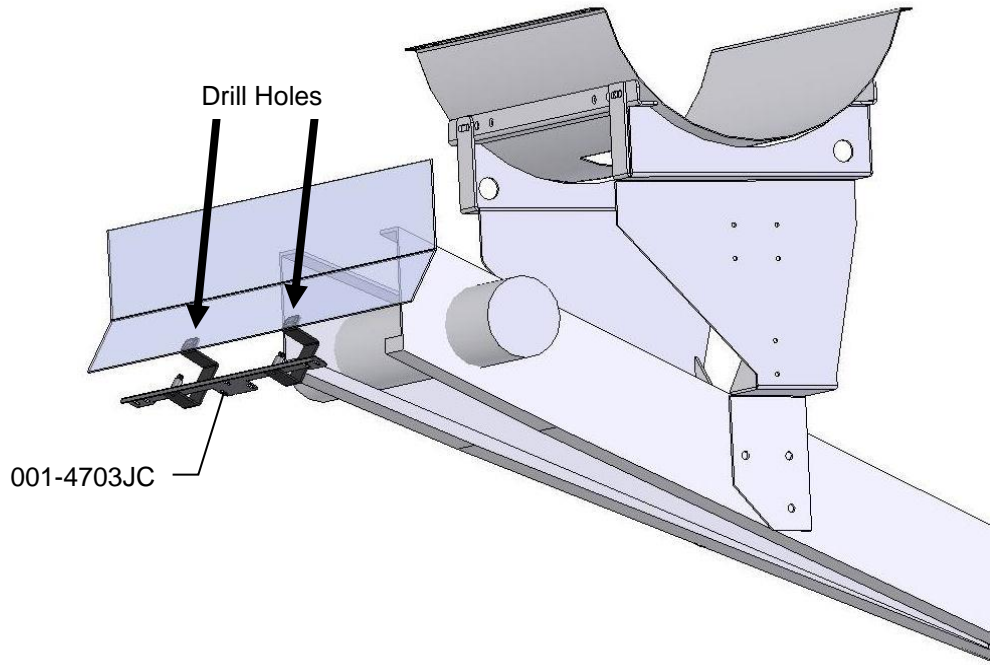
Install kit 4508C

Locate the spray shield assembly (030-4508B). Fit shield with tips facing down onto the baler as shown below with the shield hangers (001-4703JB). Mark both sides of the shield (only mark one hole per side) and drill a 3/8" hole to allow the shield to be bolted to the baler using 3/8" x 1 1/2" bolts, locks, nuts, and flat washers. Remove the spray shield from the mounting brackets to install. Attach hoses to shield before installing on bracket (see installation of plumbing).



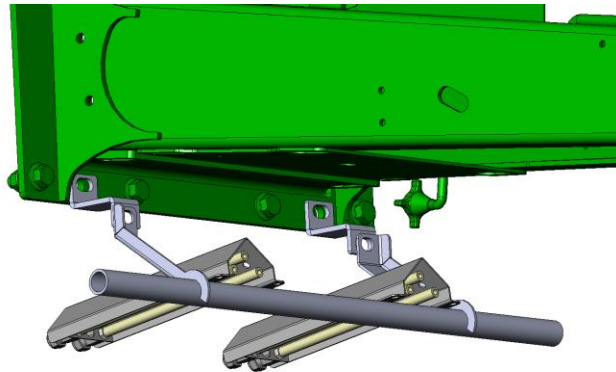
Install kit 4508C (continued)

Locate the spray shield assembly (030-4508B). Fit shield with tips facing down onto the baler as shown below with the shield hangers (001-4703JC). The shield hangers will be positioned on the sheet metal between the baler's tongue and belts. The shield hangers should be positioned so that the bottom of the sheet metal is aligned with the bottom of the bend below the mounting holes and on the tongue side of the sheet metal. Mark both sides of the shield hangers (two holes per side) and drill four 3/8" (10mm) holes to allow the shield to be bolted to the baler using 3/8" x 1 1/2" bolts, locks, nuts, and flat washers. Remove the spray shield from the mounting bracket to install. Attach hoses to shield before installing on bracket (see installation of plumbing).



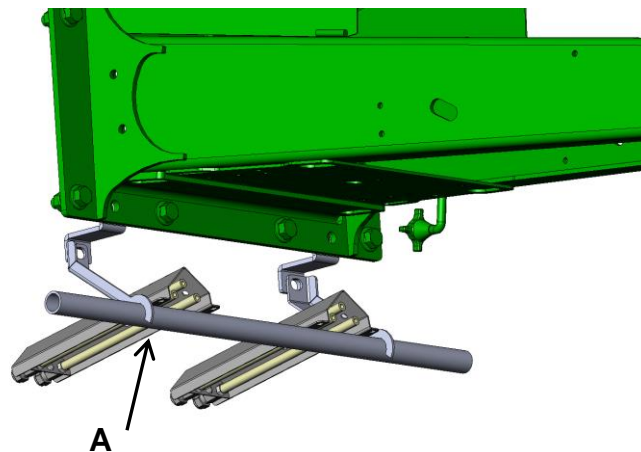
Install Kit 4516C and 4517C

Twine and Net Balers



Locate the four flange head bolts where the baler hitch bolts to the bottom side of the baler frame. Remove the two outside bolts. Attach the spacers (001-4703NS) to the **hitch side** of the baler frame. Use original hardware to secure. Attach the nozzle holder (001-4703R) to the spacers with the supplied M16 x 40mm flange bolts and nuts. Attach the nozzle mount (001-4714J) to the nozzle holder (001-4703R) with 5/16" U bolts, locks, and nuts. Measuring from the center of the pickup, the nozzle holders should be about 6" apart for 4' (1.2M) wide balers and 9" (23cm) apart for 5' (12.5cm) wide balers. Do not fully tighten. Lift the roller baffle and position the end of the nozzle holder bracket so the tips are just above the roller baffle (if equipped) when it is lifted to its highest point. Tighten all hardware and attach the hoses.

Net Only Baler



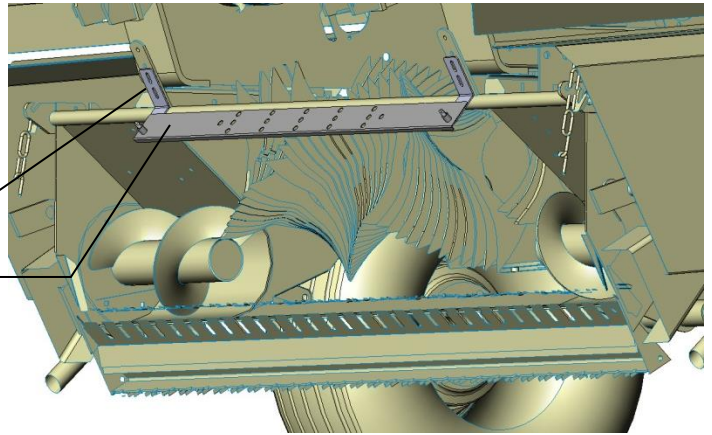
Locate the four flange head bolts where the baler hitch bolts to the bottom side of the baler frame. Remove the two bolts. Attach the spacers (001-4703NS) to the **chamber side** of the baler frame. Use original hardware to secure. Attach the nozzle holder (001-4703R) to the spacers with the supplied M16 x 40mm flange bolts and nuts. Attach the nozzle mount (001-4714J) to the nozzle holders (001-4703R) with 5/16" U bolts, locks and nuts. Measuring from the center of the pickup, the nozzle holders should be about 9" (23cm) apart with bracket **A** as close to the V-shaped stop as possible. Do not fully tighten. Lift the roller baffle (if equipped) and position the end of the nozzle holder bracket so the tips are just above the baffle when it is lifted to its highest point. Tighten all hardware and attach the hoses.

Install Kit 4523C & 4543C

Locate the spray shield (001-4704G) and spray shield hangers (001-4704H). Mount the spray shield above the pickup reel and directly in front of the rotor on the baler. Use the two existing holes to mount the shield using four 3/8" x 1-1/2" bolts, locks, flats, and nuts. Tighten all hardware.

001-4704H

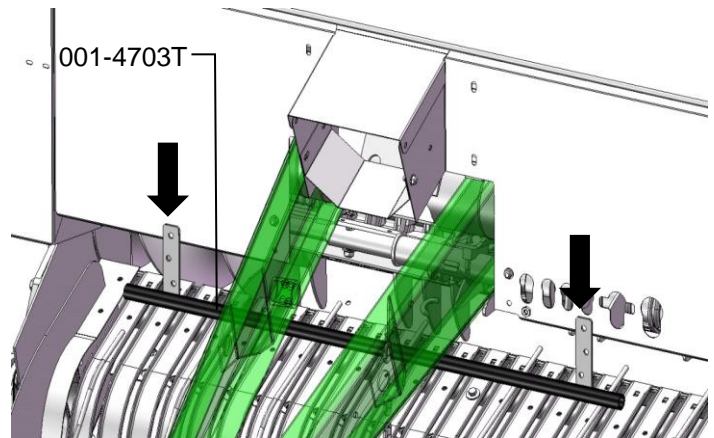
001-4704G



Install Kit 4524C

Locate the spray nozzle holder (001-4703T). Situate the holder, centered on the baler sheet metal and mark one hole per side. Drill two 5/16" (8mm) holes and attach the holder using two 3/8" x 1" bolts, locks, flats, and nuts. Install one nozzle tube in the center.

The two remaining nozzle tubes, will mount 1" (25mm) in from each end. Do not fully tighten. Position the nozzle tubes so that the tips will be 14"-18" (35-45cm) away from the normal path of hay. Tighten the nozzle tubes to the nozzle holder.

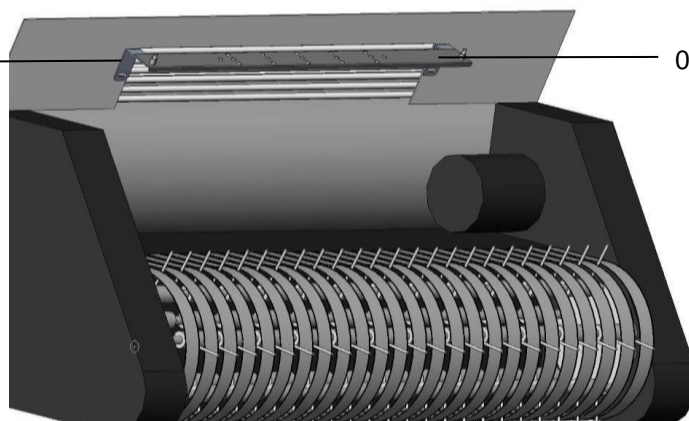


Install kit 4526B

Locate the spray shield (001-4704G) and spray shield hangers (001-4704MC). Mount the spray shield above the pickup reel as shown below. Attach the shield to the baler using the supplied two 3/8" x 1-1/2" bolts, locks, flats and nuts. Tighten all hardware.

001-4704MC

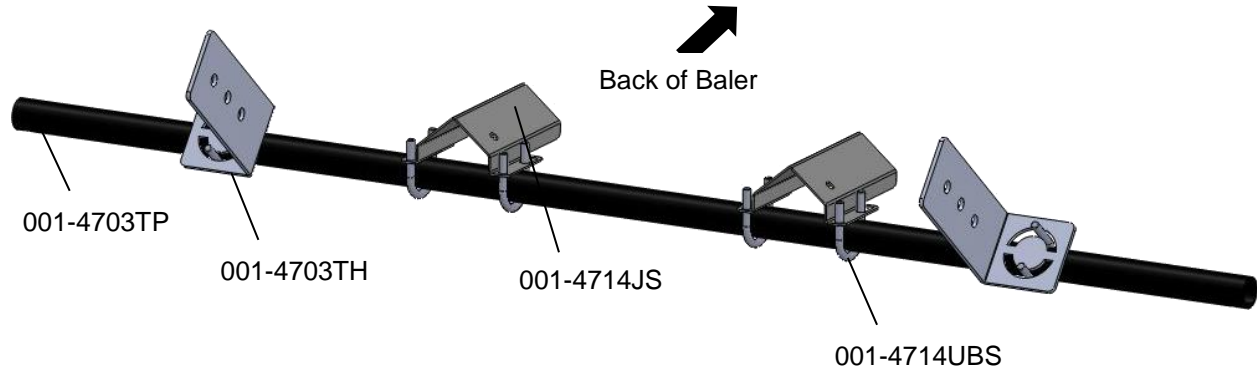
001-4704G



Install Kit 4538C

Assemble Spray Bar

Attach the nozzle tube pipe (001-4703TP) to the pipe mounting brackets (001-4703TH) with the supplied U Bolts. Do not tighten U-bolts, to allow mounting brackets to move. Attach the nozzle mounts (001-4714JS) to the nozzle tube pipe with U-bolts and secure. The nozzle mounts should be about 6" (12.5cm) apart for 4' (11cm) wide balers and 9" (23cm) apart for 5' (12.5cm) wide balers.



Attach Spray Bar Assembly

Position mounting brackets (001-4703TH) on the baler tongue above the pick-up as shown in figure 1 at roughly a 45 degree angle. If your baler is equipped with a roller wind guard, the angle may need to be slightly adjusted to allow clearance and proper coverage of the preservative being applied to the incoming crop. When the exact mounting position has been determined on both sides of the tongue, drill two 3/8" (10mm) holes and secure mounting brackets using four 3/8" x 1 1/4" bolts and hardware in parts bag 7. Ensure that the nozzle mounts (001-4714JS) are pointed toward the back of the baler. Figure 2 shows a side view of the mounting bracket and the nozzle pipe from the left side of the baler.

*Ensure pickup raises and lowers without damaging spray bar assembly.



Figure 1

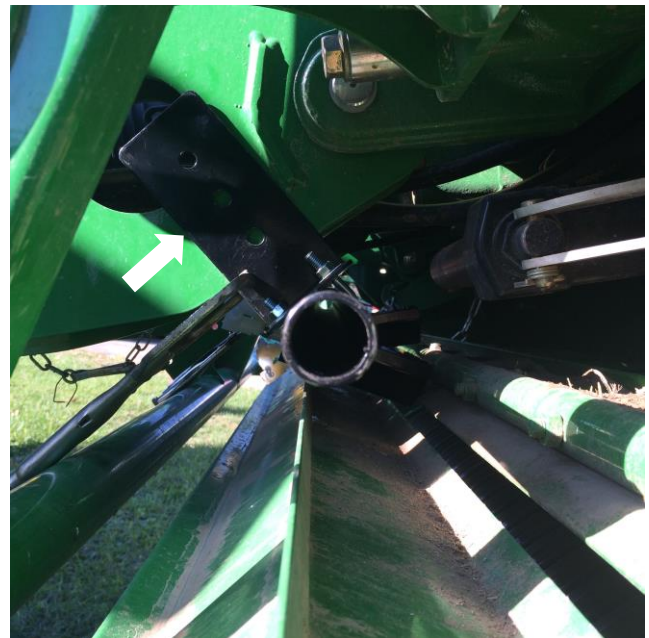


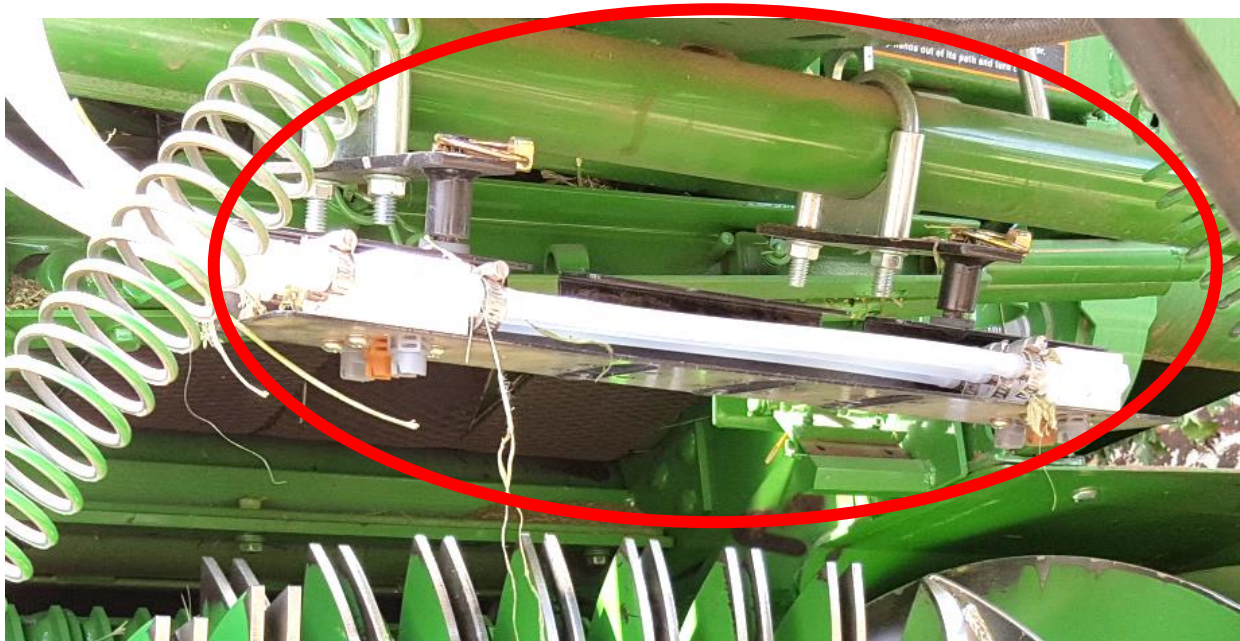
Figure 2

Install Kit 4546C & 4547C

Locate the spray shield (001-4435NSX) and the shield holder (001-4435NCX2). Position the assembly over the center of the pickup and secure the shield holder to the cross bar support as shown on right using the two 2" Ubolts (001-4714UBX) include with the kit.

Attach the spray shield to the shield holder as shown below by using the two lynch pins provided (008-4576).

Position the spray shield so the preservative will be spraying in front of the rotating precutter. Test with water to adjust as needed.



Install kit 347-SO

Locate parts bag 10. Four 1/2" (13mm) holes will need to be drilled to mount the shield holder to the baler (Figure 1). The location shown in figure 1 is directly above the baler's pickup. Mount the spray shield holder using four 5/16" x 1 1/2" bolts, locks, flats, and nuts. Attach the spray shield (001-4810B) to the holder using the two supplied lynch pins.

If baler is equipped with a bale slice, contact your local dealer for optional mounting bracket (001-4703BR).

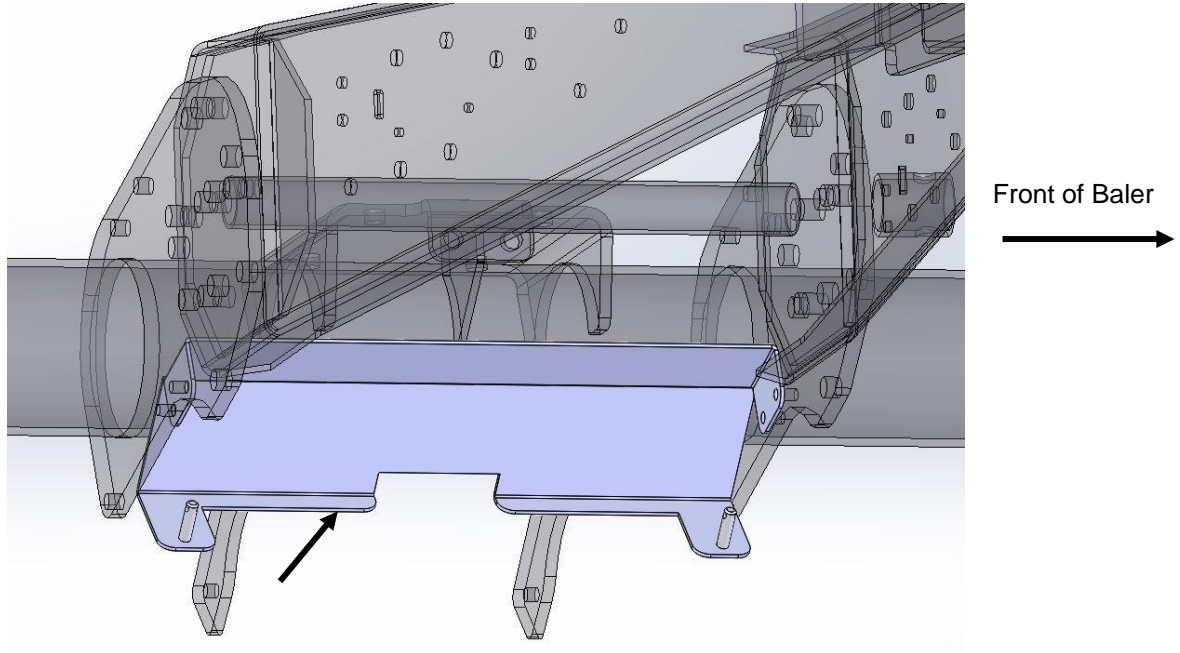


Figure 1

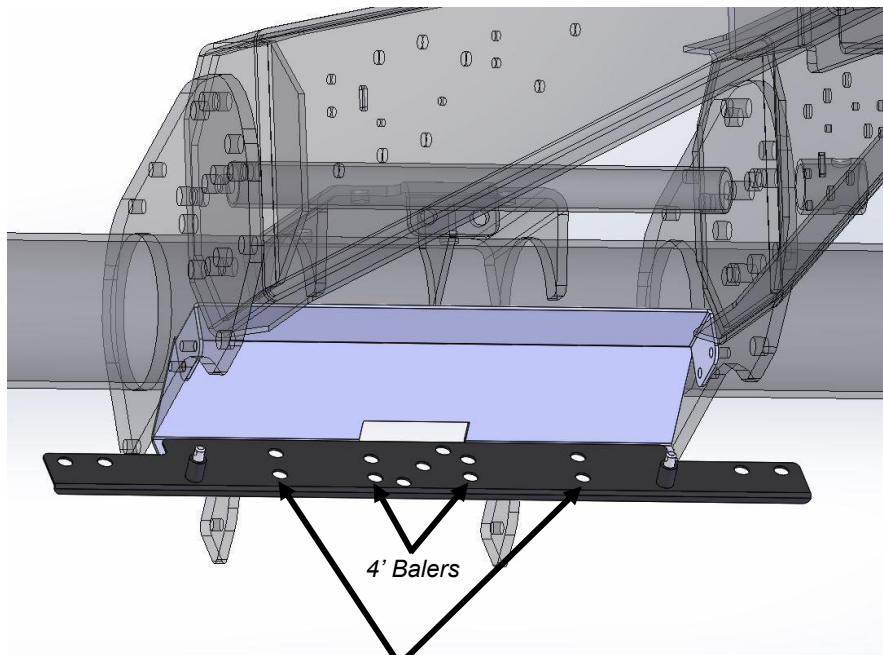


Figure 2

Installation of drain fill kit (model 347 & 349 only)

Locate parts bag 1. Thread 3/4" elbow fitting (003-EL3434) into end of tank. Run 3/4" hose from the elbow down the frame to the bottom of the baler. Drill 1/4" (7mm) holes to accept the valve holder bracket and use two 5/16" x 1" self-tapping screws and secure with two 5/16" flange nuts. Connect valve assembly to other end of hose. Place hose clamps on both ends. Install safety decals (DCL-8001 & DCL-8005) next to ball valve.

*Secure hose to frame using cable locks.



Installation of Plumbing

A. Intake

Locate parts bag 16. Use the 003-EL3412 on the bottom of the tank to route 1/2" line (002-9001) to the 003-A1212 or 003-EL1212 fitting used on the ball valve attached to the pump plate. Attach hose clamps (003-9003) on both of the fittings.

B. Discharge

Route the 1/2" hose from the pump output toward the front of the baler and connect to the solenoid assembly (SOL-3SP-B). Secure the solenoid assembly and hose along baler, positioning the solenoid as close to the spray tips as possible. Connect the 1/4" hose to the outgoing side of the solenoid to tip assembly.

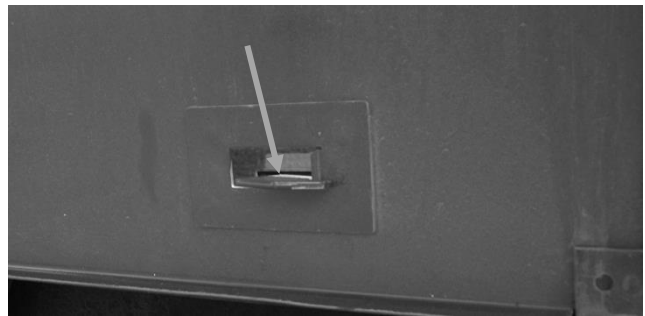
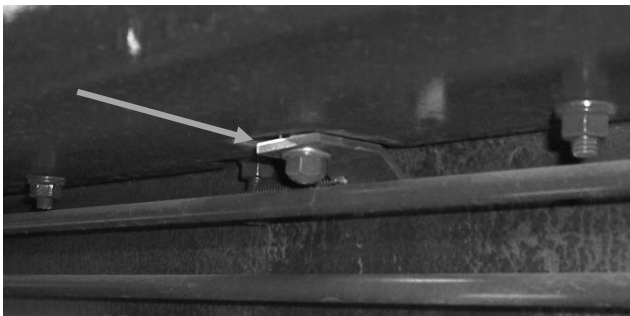
C. Standard and Low Output Tips

Your baler comes with two sets of tips: a low set and a high set.

-The low set will cover outputs of 60 - 300 lbs/hr (27-300 L/hr).

-The standard set will cover outputs of 48- 448 lbs/hr (21-203 L/hr).

Installation of Latch Extension (model 347 only)

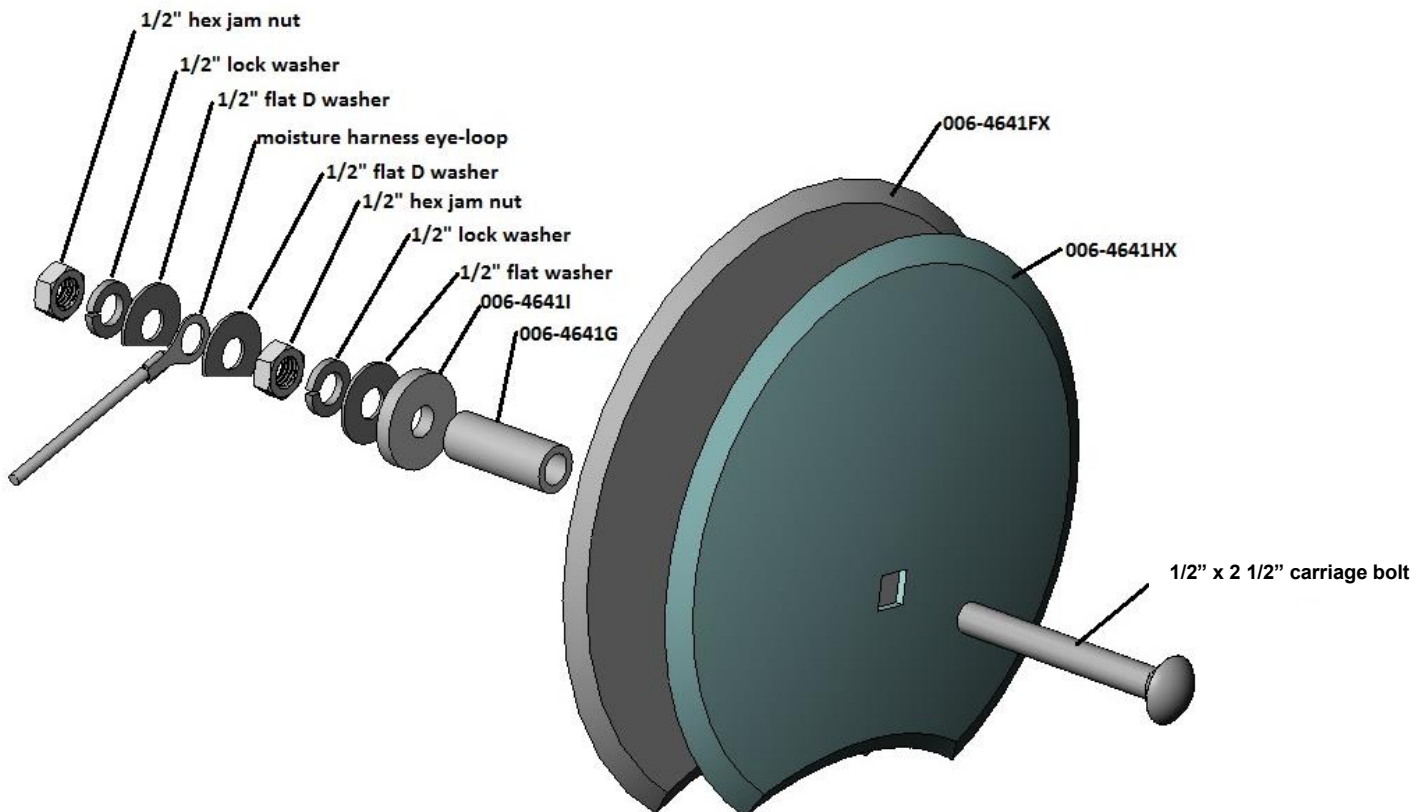


Remove the nut and spring on the existing latch. Replace with the extended latch. Retighten nut and attach the spring. The latch may need to be bent to fit through the doors opening.

Installation of Moisture Sensor Pads and Discs

4481C Install kit

1. Open rear tail gate of baler and lock in the up position. Refer to baler manual to lock door open.
2. Remove bale shaping discs on each side of chamber.
3. Place plastic isolator (006-4641FX) in the same spot that the shaping disc had been. There should be a hole in the baler that matches up with the hole in the plastic isolator, this hole will need to be drilled out to 3/4" (19mm). If there is not a hole, use the isolator as a template and mark the hole. Center punch the hole and drill it to 3/4" (19mm). Note: before drilling make sure you are not drilling into sensitive equipment on the outside of the baler). Repeat for other side of the baler.
4. Insert plastic bushing (006-4641G) from the outside of baler. Make sure it is flush with the outside of the baler frame. Go to the inside of the baler and mark amount that protrudes into the chamber. Remove and cut off excess material. Repeat for other side.
5. Using the 2 1/2" carriage bolt slide the parts on in following order: metal disc (001-4641HX), plastic isolator (006-4641FX) and shortened plastic bushing (006-4641G).
6. Insert disc assembly into 3/4" (19mm) hole from inside of bale chamber. Secure to outside of baler by attaching to the protruding carriage bolt in the following order: small isolator (006-4641I), 1/2" D shaped washer, 1/2" lock washer, 1/2" nut. Tighten down and repeat for the other side. Make sure no part of the bolt or hardware makes contact with the frame of baler-no metal to metal.
Note: Part 006-4641I may need to be trimmed to fit into position.
7. Route moisture harness (006-4640G2) from processor down to the carriage bolt on each side. Make sure it does not come in contact with any moving parts. Secure with cable ties.
8. Attach moisture cable to moisture carriage bolt by placing items in the following order: 1/2" D shaped washer, Ring terminal of moisture harness (006-4640G2), second 1/2" D washer, 1/2" lock washer, 1/2" nut. Tighten down and repeat for other side. Make sure none of the hardware comes in contact with the frame of the baler.



4481C (continued) Installation of Moisture Sensor Pads Example

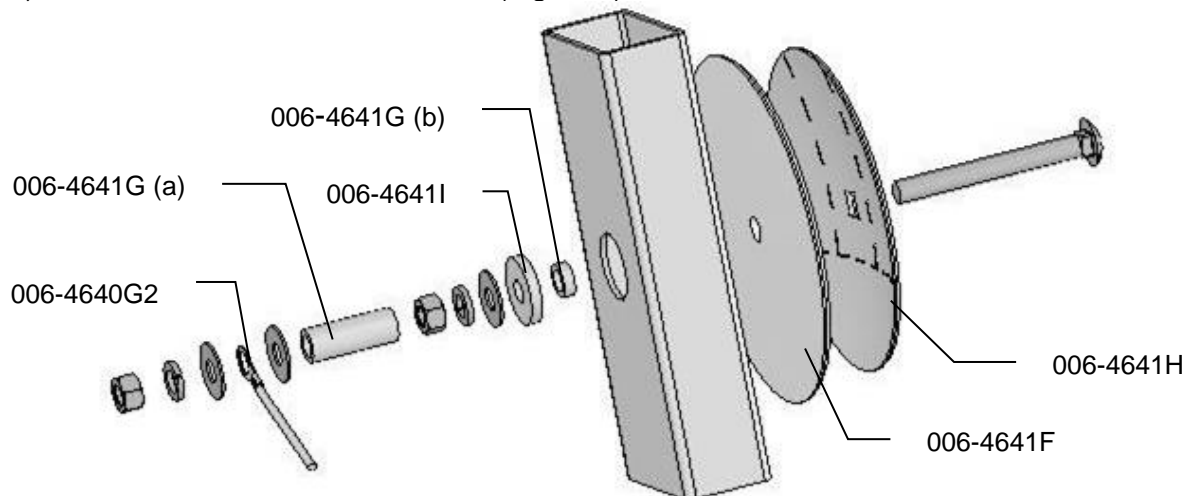


Install kit 4484C, 4486C & 4505C, 4523C & 4543C



Figure 1

1. If your baler is equipped with bale shaping pads, remove disc and use existing hole (may need to be drilled larger, 3/4" (19mm) to install new moisture sensing discs.
2. If your baler is not equipped with bale shaping pads you will need to drill a hole in the chamber directly behind and above the starting roll (Figure 1).
3. The mounting hole will be 3/4" (19mm) in diameter. Use a plastic pad (006-4641F) and place it into the baler to use as a template. The bottom edge of the pad will be placed 1" (25mm) up from starting roll and 2" (51mm) from the back of the bale chamber (Figure 1).



4. Locate the 006-4641G (a) piece, this will need to be cut down to size. Use the already machined line in the bushing to cut off the small piece shown above 006-4641G (b). Part 006-4641I may also need to be trimmed to fit.
5. Depending on the baler the bolt may need to be trimmed for proper fit.
6. Tighten all of the hardware to 50 ft/lbs (68 N/m).
7. Make sure that the plastic pad is protecting all metal surfaces of the disc from touching baler.
8. Run the moisture wire harness (006-4640G2) from pump plate area to each disc securing with cable ties.

Install kit 4482C, 4483C, 4504C, 4516C, 4517C, 4546C & 4547C

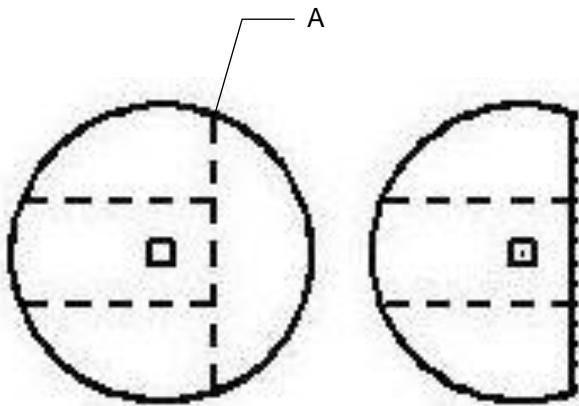


Figure 1

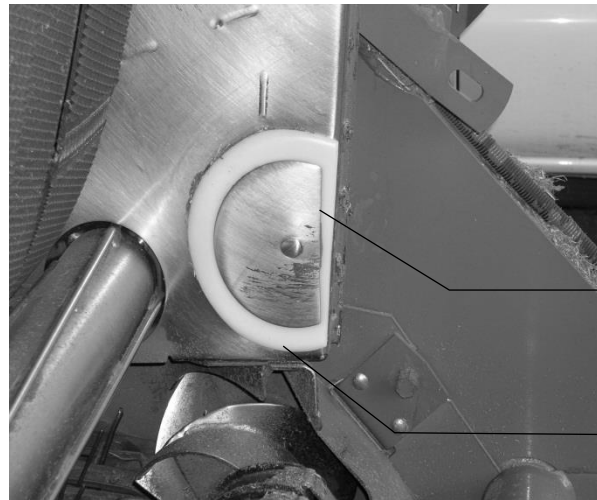
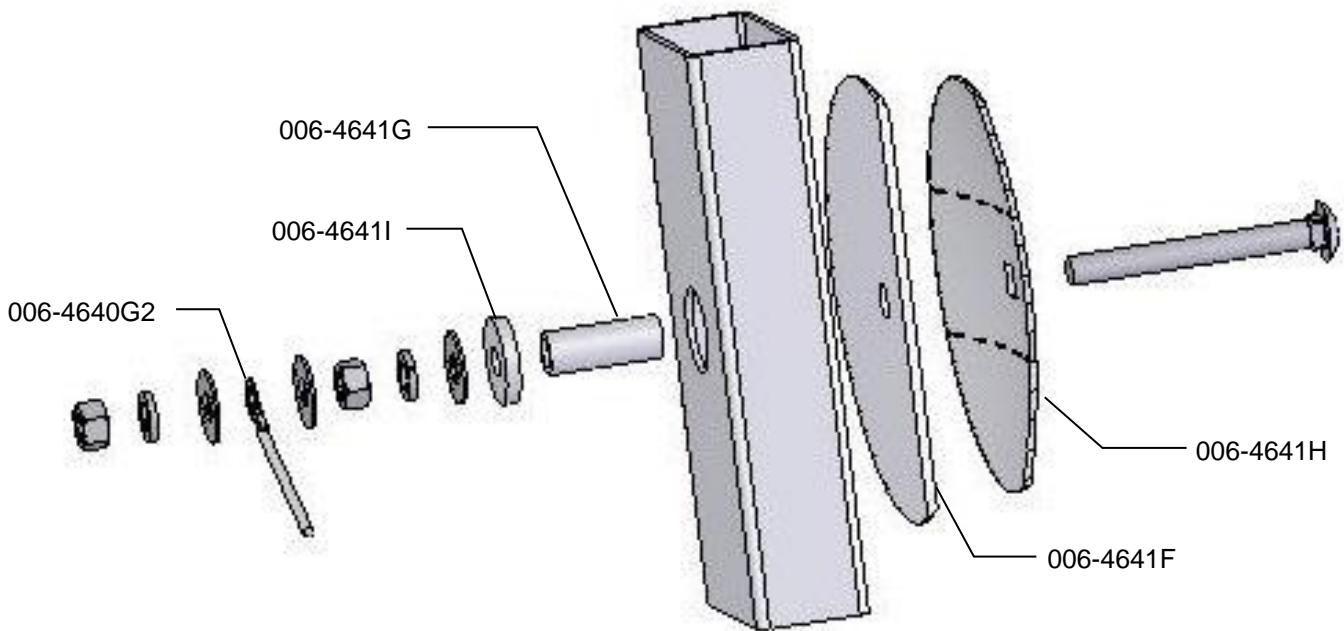


Figure 2

1. Both moisture discs (006-4641H) will need to be cut along the serrated line (A) shown on Figure 1. Only cut on the line shown on Figure 1, do not cut the other line.
2. The plastic pad (006-4641F) will also need to be cut 1/4" (7mm) longer than the back of the disc.
3. Using the cut disc as a pattern, mark and drill a 3/4" (19mm) hole in the side of the bale chamber. The disc will need to be placed on the baler 1" (25mm) up from bottom and 1/4" (7mm) in from the back of the chamber (Figure 2).



4. Make sure that plastic pad is protecting all metal surfaces of disc from touching baler.
5. Run the moisture wire harness (006-4640G2) from pump plate area to each disc securing with cable ties.
6. On some balers the bolt may need to be trimmed for proper fit.
7. Tighten all hardware to 50 ft/lbs (68 N/m).
8. Apply silicone over nuts and washers.

Install kit 4503C for John Deere 582

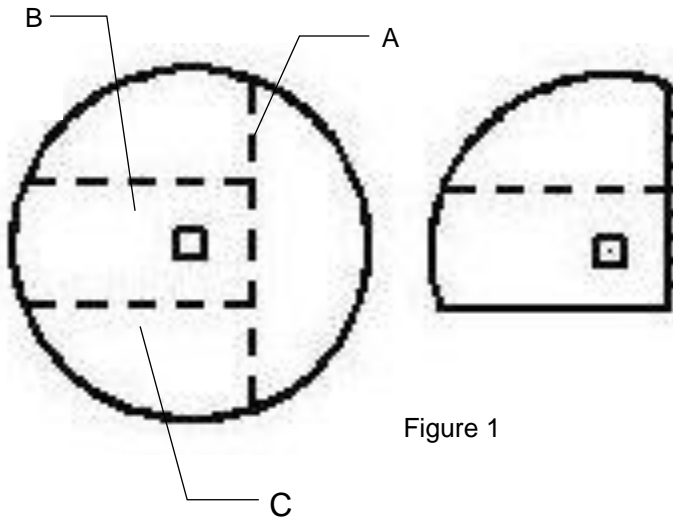


Figure 1

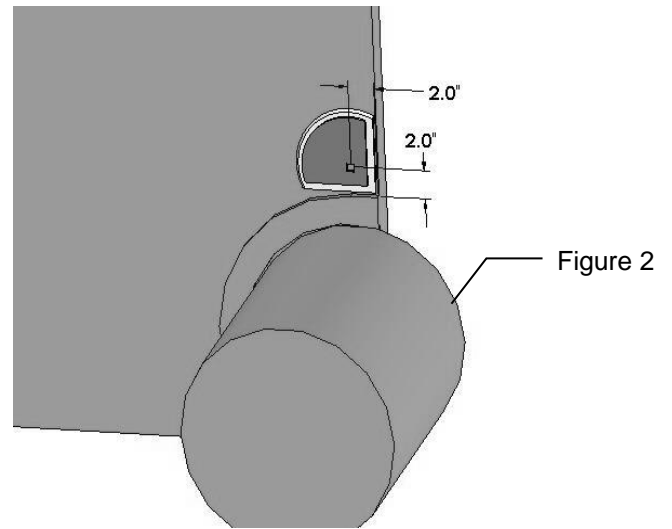
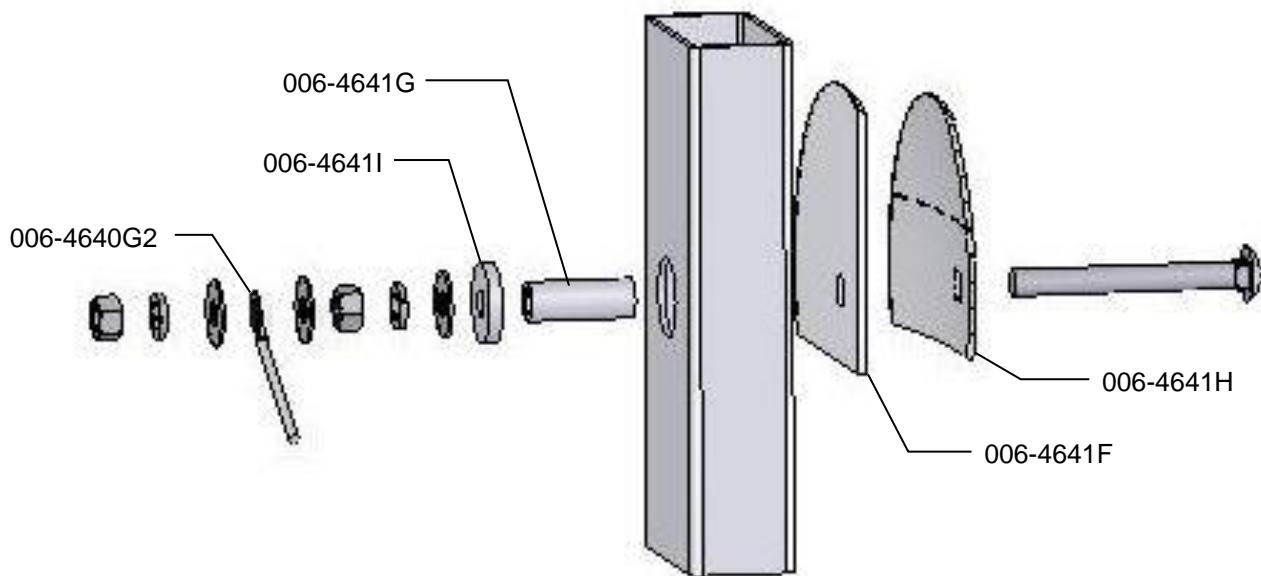


Figure 2

1. The moisture discs (006-4641H) will both need to be cut on line A. (Figure 1) One disc will need to be cut on line B and one disc on line C.
2. The plastic pad (006-4641F) will also need to be cut 1/4" longer than the back of the disc.
3. Bevel all sides of the cut discs to allow the smooth travel of crop over them.
4. The mounting hole will be 3/4" (19mm) in diameter. The disc will need to be placed on the baler lining up the center of the bolt with the location 2" (51mm) up from bottom and 2" in from the back of the chamber. (Figure 2)



5. Make sure that plastic pad is protecting all metal surfaces of disc from touching baler.
6. Run the moisture wire harness (006-4640G2) from the THS to each disc securing with cable ties.
7. On some balers the bolt may need to be trimmed for proper fit.
8. Tighten all hardware to 50 ft/lbs (68 N/m).
9. Apply silicone over nuts and washers.

Install kit 4503C for John Deere 854 balers (continued)

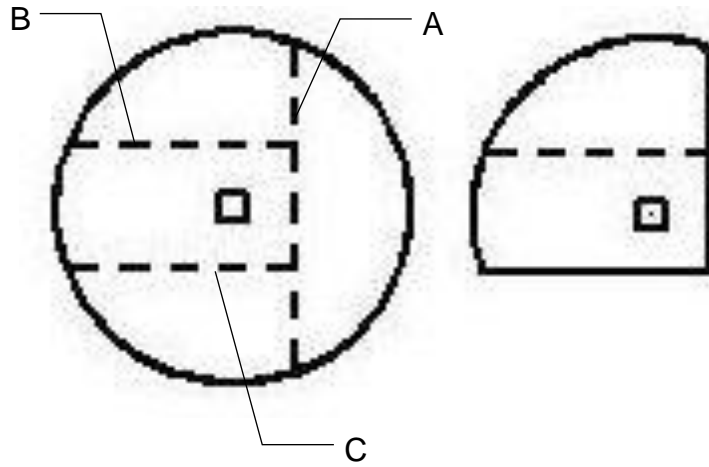


Figure 1

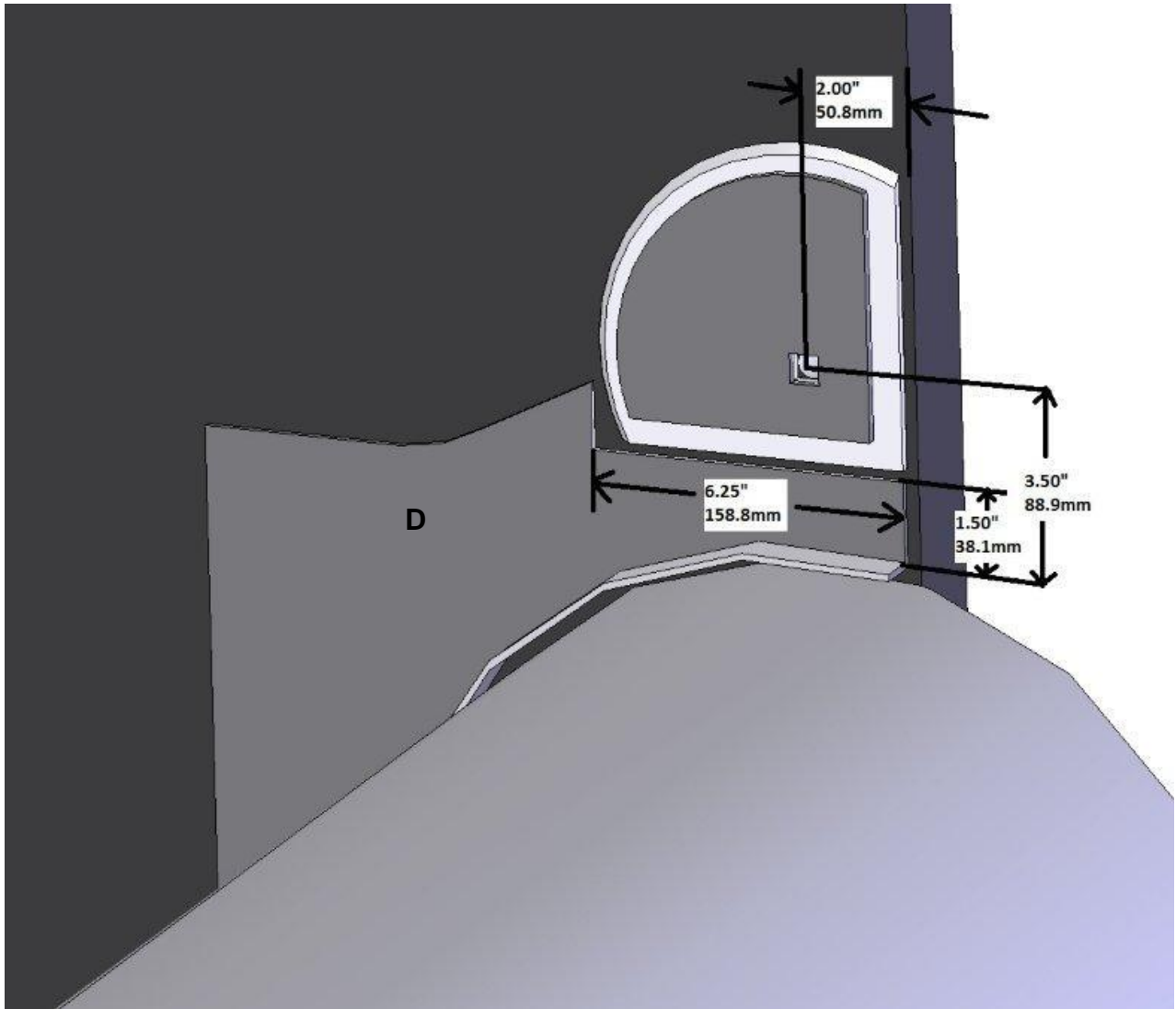
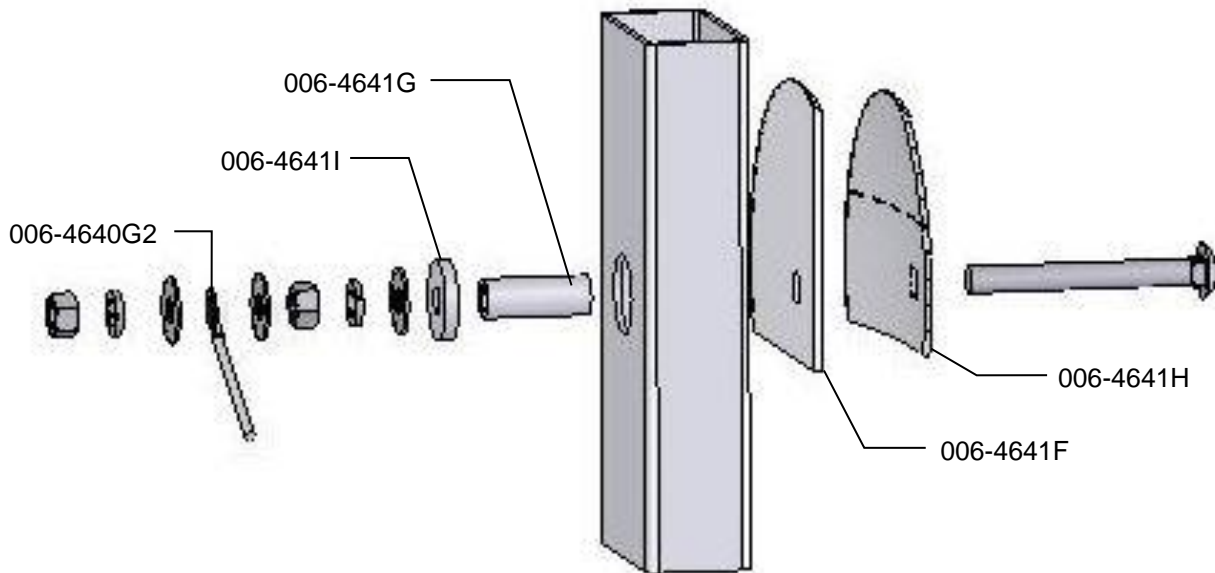


Figure 2

Install kit 4503C for John Deere 854 balers (continued)

1. The moisture discs (006-4641H) will both need to be cut on line A (Figure 1). One disc will need to be cut on line B and one disc on line C.
2. The plastic pad (006-4641F) will also need to be cut 1/4" (7mm) longer than the back of the disc.
3. Bevel all sides of the cut discs to allow the smooth travel of crop over them.
4. Remove the shield directly above the starter roll shown as figure D on both sides of the baler. Cut the 6 1/4" (16cm) notch out using the supplied measurements. Reinstall both sides.
5. The mounting hole will be 3/4" (19mm) in diameter. The disc will need to be placed on the baler to line up the location of 3 1/2" (89mm) up from bottom and 2" (51mm) from the back of the chamber to the center of the bolt (Figure 2).



10. Make sure that plastic pad is protecting all metal surfaces of disc from touching baler.
11. Run the moisture wire harness (006-4640G2) from the THS to each disc securing with cable ties.
12. On some balers the bolt may need to be trimmed for proper fit.
13. Tighten all hardware to 50 ft/lbs (68 N/m)
14. Apply silicone over nuts and washers

Install kit 4508C

1. If your baler is equipped with bale shaping pads, remove pads and use existing hole (may need to be drilled larger) to install new moisture sensing discs.
2. If your baler is not equipped with bale shaping pads you will need to drill a hole in the chamber directly behind and above the starting roll (Figure 1).
3. You will need to remove the main chain assembly to install the disk on the right side of baler (when facing front of baler) Figure 2.
4. The hole size is 3/4" (19mm) diameter. Before drilling the hole make sure hole is accessible from opposite side of chamber to tighten down mounting hardware and to install moisture harness (Figure 3).

Figure 1



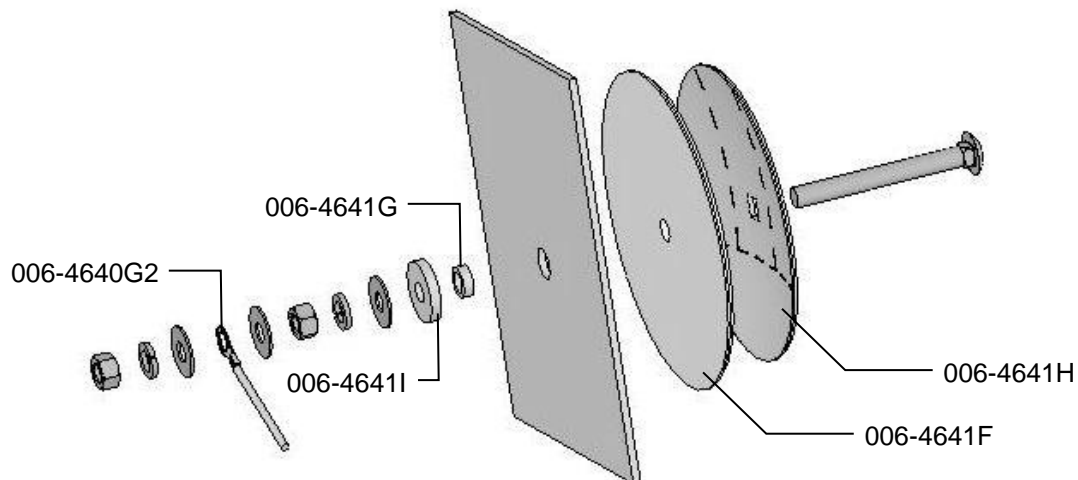
Figure 2



Figure 3



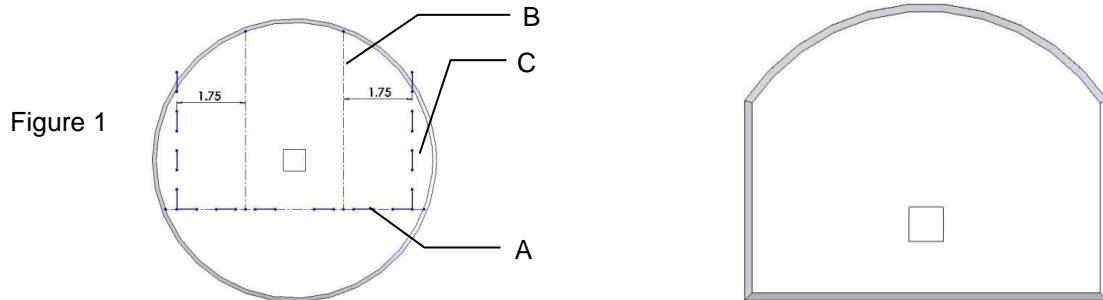
Figure 4



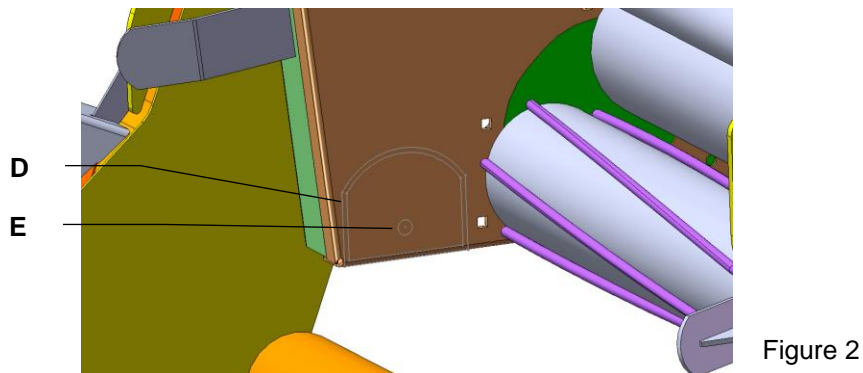
5. Locate the 006-4641G. The piece will need to be cut down to size.
6. Use the already machined line in the bushing to cut off the small piece shown above.
7. Depending on the baler the bolt may need to be trimmed for proper fit.
8. Tighten all of the hardware to 50 ft/lbs (68 N/m).
9. Make sure that the plastic pad is protecting all metal surfaces of the disc from touching baler (Figure 4)
10. Run the moisture wire harness (006-4640G2) from pump plate area to each disc securing with cable ties.
11. Apply silicone over nuts and washers.

Install kit 4524C

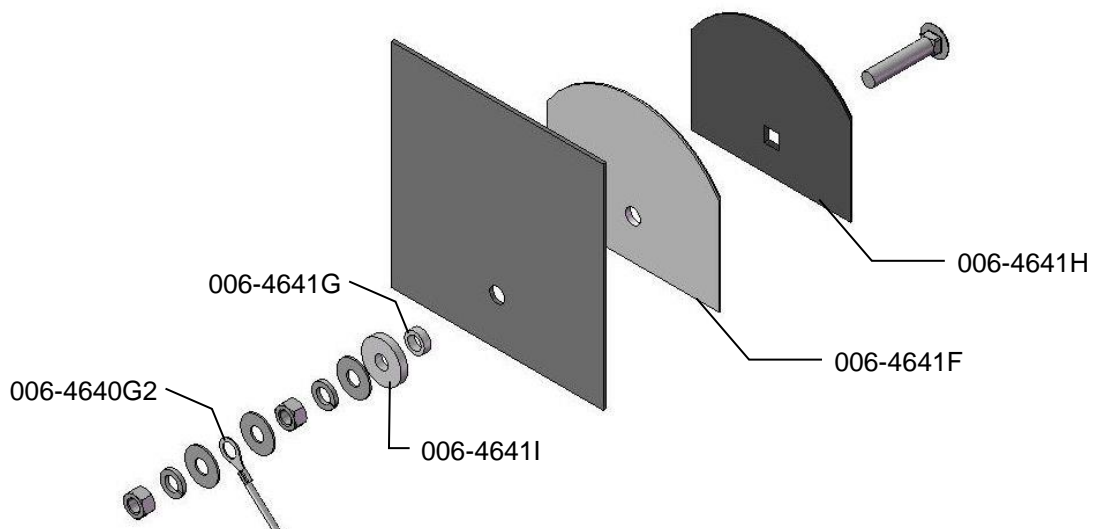
1. Both moisture discs (006-4641H) will need to be cut along the serrated line (A) shown on Figure 1. Measure from the laser etched line (B) 1 3/4" (45mm) on both side. Mark and cut the disc. A completed disc is shown to the right.
2. The plastic pad (006-4641F) will also need to be cut 1/4" (7mm) larger than the steel disc.
3. Bevel all sides of the cut discs to allow the smooth travel of crop over them.



4. Mark a line 1 1/2" (38mm) up and 3 1/2" (89mm) over from point (D). Drill a 3/4" hole at the point (E). Repeat for the opposite side.



5. Locate the 006-4641G. The piece will need to be cut down to size. Use the already machined line in the bushing to cut off the small piece shown above.
6. Depending on the baler the bolt may need to be trimmed for proper fit.
7. Tighten all of the hardware to 50 ft/lbs.
8. Make sure that the plastic pad is protecting all metal surfaces of the disc from touching baler.
9. Run the moisture wire harness (006-4640G2) from the BMP to each disc securing with cable ties.
10. Apply silicone over nuts and washers.



Install kit 4538C

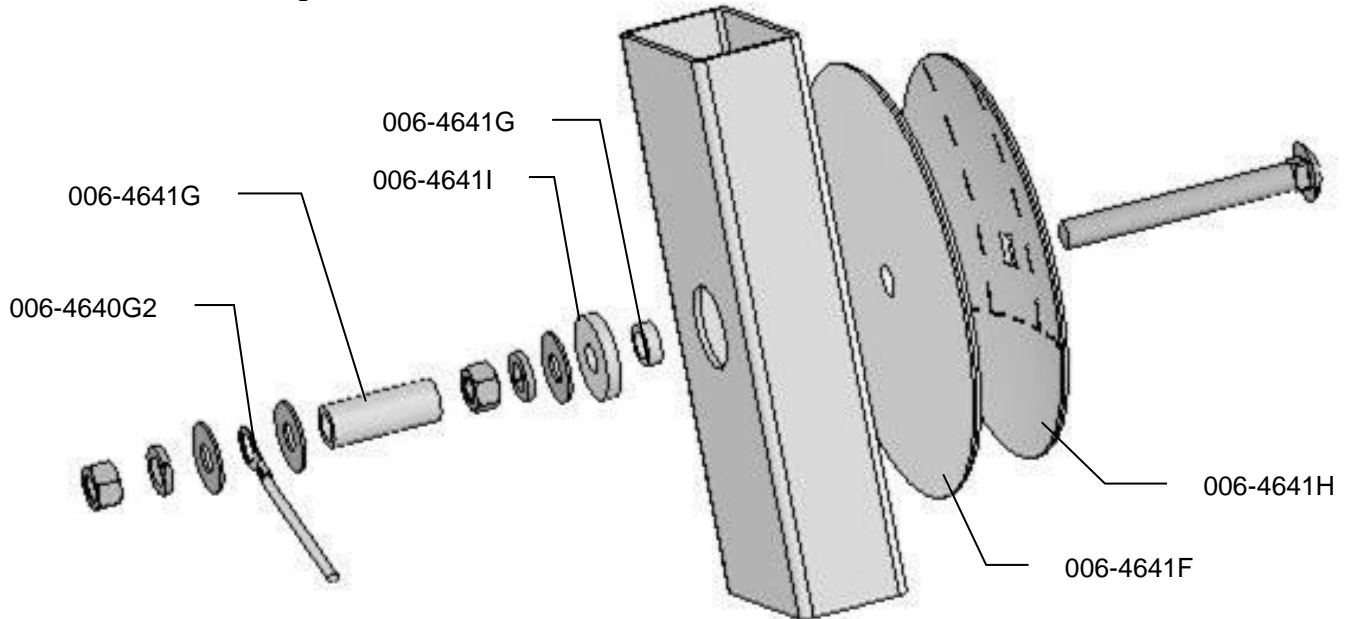


Figure 1



Figure 2

4. With the baler door open measure 5 1/8" toward top of baler from the point shown in figure 1. Drill a 3/4" (19mm) hole to mount moisture disc as shown in figure 2.
5. Use plastic pad (006-4641F) and place it into the baler to use as a template. The bottom edge of the pad will be placed 2" (51mm) up from bottom of sheet metal on door and starting roll and 1" (25mm) back from sheet metal seam in figure 2.

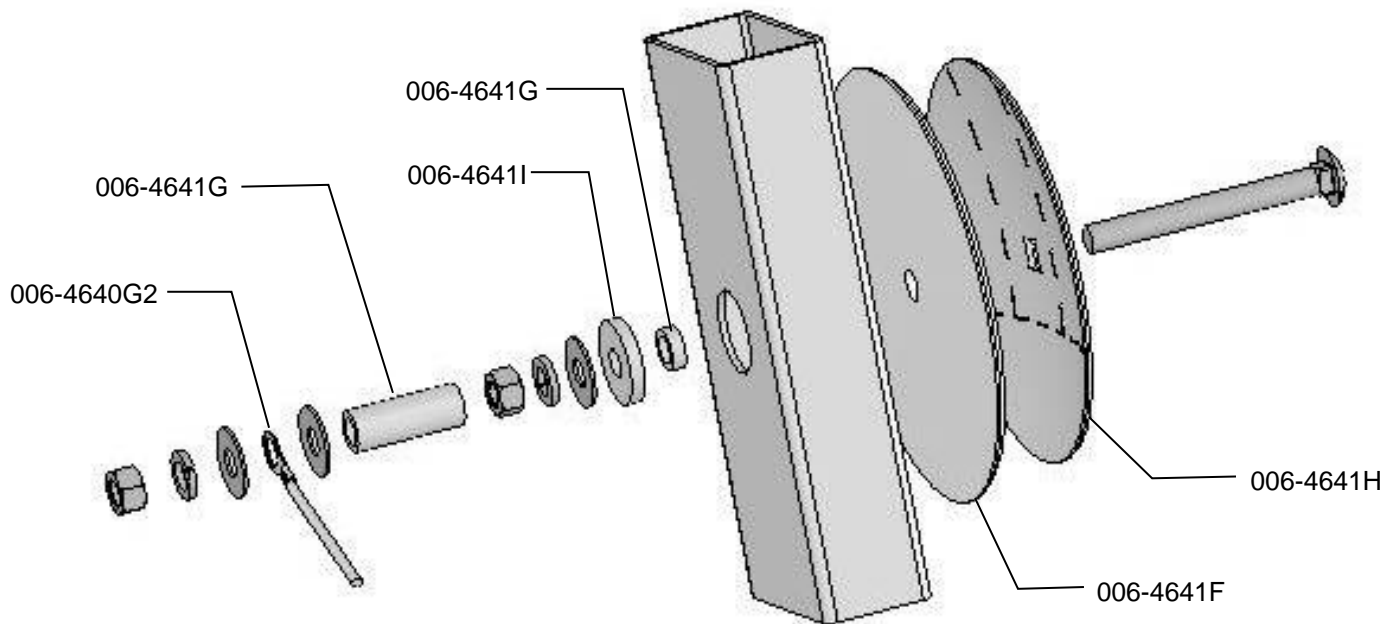


6. Locate part 006-4641G, which will need to be cut down to size. Use the factory machined line in the bushing to cut off the small piece shown above.
7. Depending on the baler the bolt may need to be trimmed for proper fit.
8. Tighten all of the hardware to 50 ft/lbs (68 N/m)
9. Make sure that the plastic pad is protecting all metal surfaces of the disc from touching baler.
10. Run the moisture wire harness (006-4640G2) from the processor to each disc, securing with cable ties. Be harness is clear from moving parts, chains and potential pinch points.
11. Apply silicone over nuts and washers to seal moisture way from connections.

Install kit 347-SO on four foot wide balers



1. If your baler is equipped with bale shaping pads, remove disc and use existing hole that will need to be drilled to 3/4" (19mm) to install new moisture sensing discs.
2. If your baler is not equipped with bale shaping pads you will need to drill a hole in the chamber directly behind and above the starting roll (Figure 1).
3. The mounting hole will be 3/4" (19mm) in diameter. Use a plastic pad (006-4641F) and place it into the baler to use as a template. The bottom edge of the pad will be placed 1" (25mm) up from starting roll and 2" (51mm) in from the back of the bale chamber. (Figure 1)

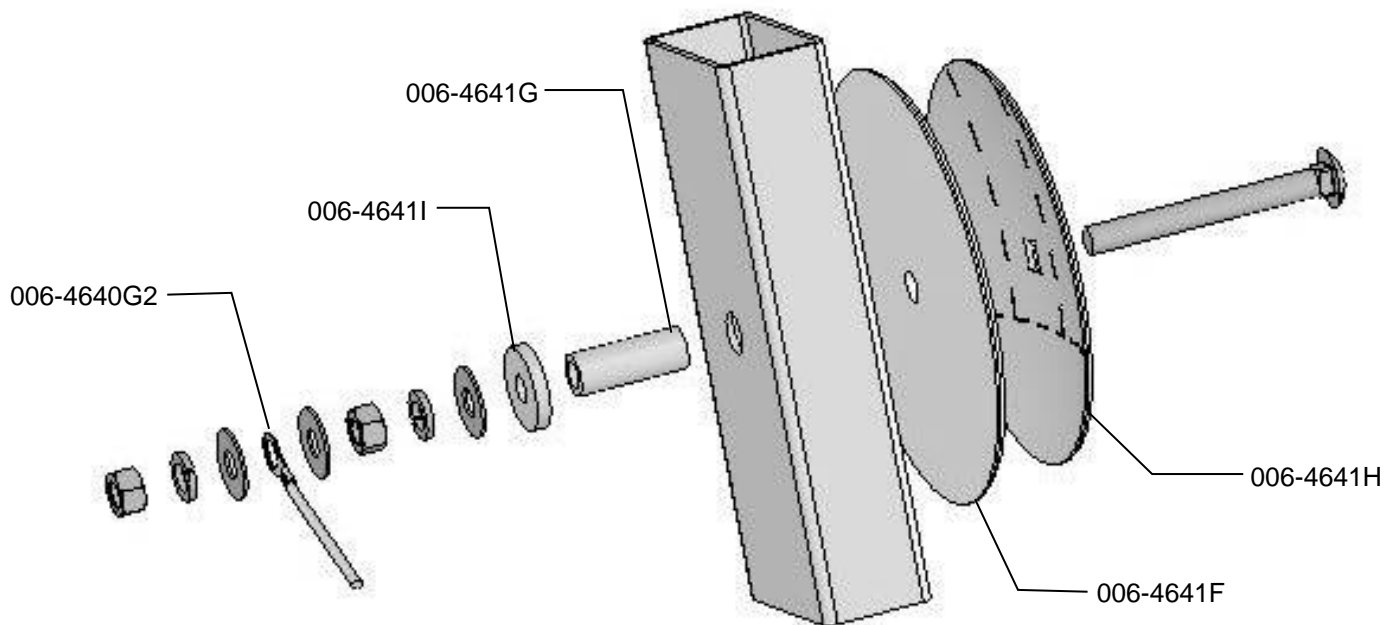


4. Locate the 006-4641G. The piece will need to be cut down to size. Use the already machined line in the bushing to cut off the small piece shown above.
5. Depending on the baler the bolt may need to be trimmed for proper fit.
6. Tighten all of the hardware to 50 ft/lbs (68 N/m).
7. Make sure that the plastic pad is protecting all metal surfaces of the disc from touching baler.
8. Run the moisture wire harness (006-4640G2) from pump plate area to each disc and secure.
9. Apply silicone over nuts and washers.

Install kit 347-SO on five foot wide balers



1. If your baler is equipped with bale shaping pads, remove disc and use existing that will need to be drilled to 3/4" (19mm) to install new moisture sensing discs. If the discs are welded, the welds will need to ground off for disc removal.
2. If your baler is not equipped with bale shaping pads you will need to drill a hole in the chamber directly behind and above the starting roll (Figure 1).
3. The mounting hole will be 3/4" (19mm) in diameter. Use a plastic pad (006-4641F) and place it into the baler to use as a template. The bottom edge of the pad will be placed 1" (25mm) up from starting roll and 2" (51mm) from the back of the bale chamber. (Figure 1)



4. Depending on the baler the bolt may need to be trimmed for proper fit.
5. Tighten all of the hardware to 50 ft/lbs (68 N/m).
6. Make sure that the plastic pad is protecting all metal surfaces of the disc from touching baler.
7. Run the moisture wire harness (006-4640G2) from pump plate area to each disc and secure
8. Apply silicone over nuts and washers.

Installing End of Bale Sensor

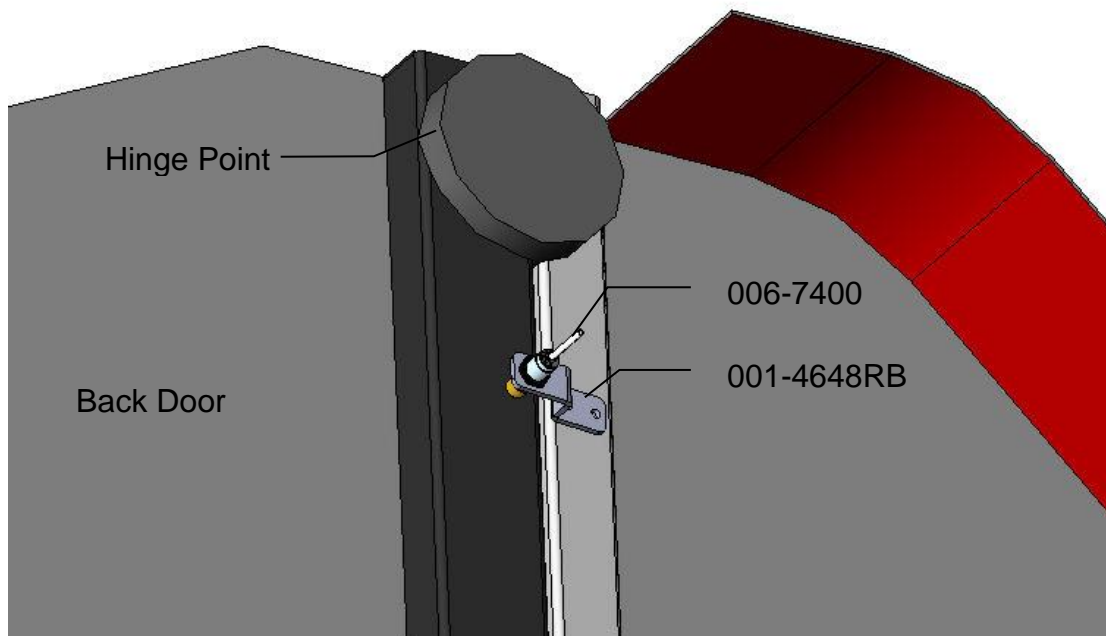
The bale rate timer sensor is used to determine when the baler door is open. With this information the system is able to change the tons/hour automatically (see Operating Instructions, Automatic Mode).

Locate the sensor (006-7400) and the sensor bracket (001-4648RB). On the right side of the baler find a location 1"– 6" down from the hinge to mount the bracket. Check for clearance with hydraulic cylinders before mounting the bracket. The bracket should be mounted to the front side of the hinge point, with the sensor aligned over the back door.

Mark and drill two 1/4" (7mm) holes and install the bracket using two 5/16" x1/4" self-tapping bolts.

Install the sensor into the bracket and leave 1/4" (7mm) of clearance between the end of the sensor and the door.

The harness will need to be routed towards the DCP. Secure with cable ties and take care to avoid pinch points. The harness extension (006-7400EXT) may need to be used.



View of the right side of

Front of baler →

Wiring Diagram – 331,346,347,349

1. Connect the power harness (006-3650T) to the tractor battery (12 volt) using the red wire with fuse to the positive side and the black wire to the negative.

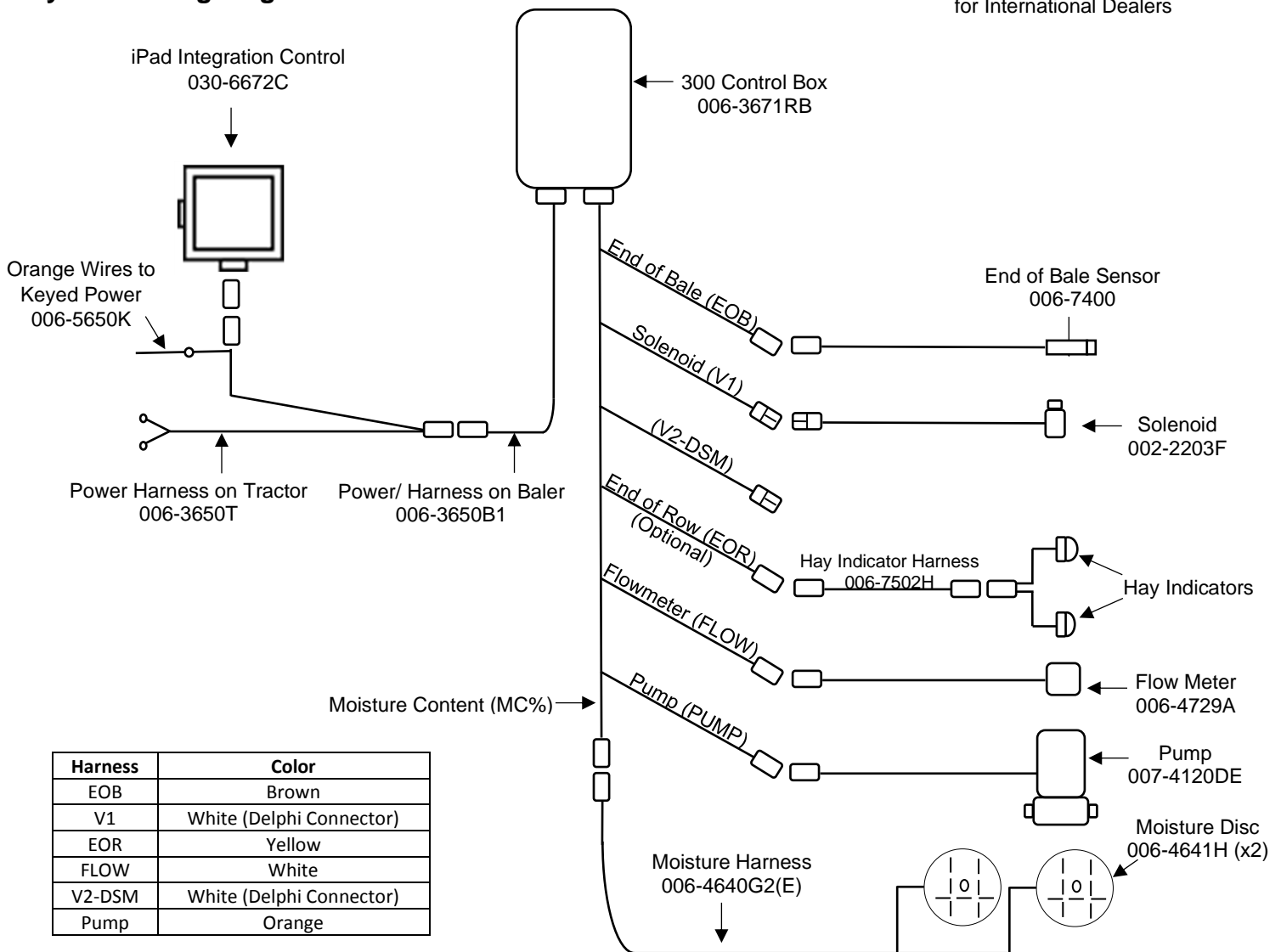


- a. **The power harness must be connected to the battery!** The unit will draw more amps than convenience outlets can handle. Any modifications of the power harness will void systems warranty. **CONTACT HARVEST TEC BEFORE MODIFICATIONS.**
- b. **This unit will not function on positive ground tractors.**
- c. **If the unit loses power while operating it will not keep track of accumulated pounds of product used.**

2. The power harness on the tractor (006-3650T) will run from the tractor battery to the hitch. The power harness on the baler (006-3650B1) will connect to the tractor power harness (006-3650T) at the hitch.
3. Connect the keyed power wire (006-5650K) to a keyed power source on the tractor. **The keyed power wire must connect to a keyed source or the unit will not power up correctly.**
4. Attached the iPad Integration Control (030-6672C) to the tractor power harness (006-3650T).
5. Attach the End of Bale (EOB) connection on the controller to the End of Baler Sensor (006-7400).
6. Attach the Solenoid (V1) (Delphi connector) connection on the controller to the wire from the solenoid (002-2203F). Note: If solenoid is connected to V2-DSM (not used) connection, solenoid will not work.
7. Attach the Flowmeter (FLOW) connection on the controller to the flowmeter (006-4729A).
 - a. Attach the spade connectors on the FLOW harness to the Pump (007-4120DE).

System wiring diagram

*Note: (E) indication is used for International Dealers



Harness	Color
EOB	Brown
V1	White (Delphi Connector)
EOR	Yellow
FLOW	White
V2-DSM	White (Delphi Connector)
Pump	Orange

Pin Outs

Power Harness 006-3650T at Tractor Hitch

Pin 1	Red	+12V Power to BLE
Pin 2	Red	+12V Power to THS
Pin 3	Orange	Keyed Power
Pin 4	Not Used	
Pin 5	Green	HT Can Low
Pin 6	Yellow	HT Can Hi
Pin 7	Not Used	
Pin 8	Black	Ground from BLE
Pin 9	Black	Ground from THS
Pin 10	Not Used	



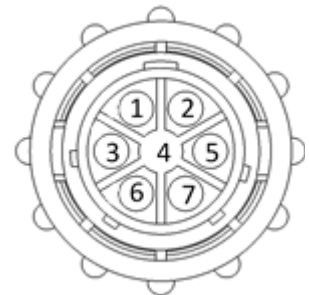
Power Harness 006-3650B1 at Baler Hitch

Pin 1	Red	+12V Power to BLE
Pin 2	Red	+12V Power to THS
Pin 3	Orange	Keyed Power
Pin 4	Not Used	
Pin 5	Green	HT Can Low
Pin 6	Yellow	HT Can Hi
Pin 7	Not Used	
Pin 8	Black	Ground from BLE
Pin 9	Black	Ground from THS
Pin 10	Not Used	



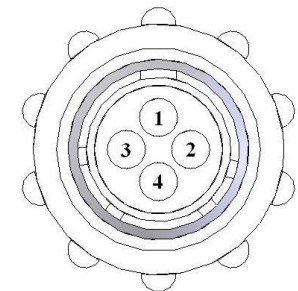
iPad Integration Control / BLE on Harness 006-3650T

Pin 1	Red	+12V Power for BLE
Pin 2	Black	Ground for BLE
Pin 3	Yellow	HT Can Low
Pin 4	Not Used	
Pin 5	Green	HT Can Hi
Pin 6	Not Used	
Pin 7	Not Used	



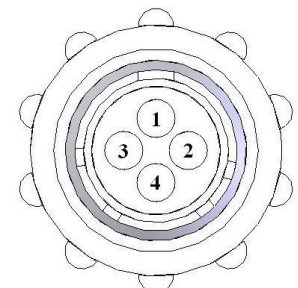
End of Bale Sensor at 300 Controller Harness

Pin 1	Brown	Sensor Power
Pin 2	Blue	Sensor Ground
Pin 3	N/A	
Pin 4	Black	Signal from Sensor



Flow Meter at 300 Controller Harness

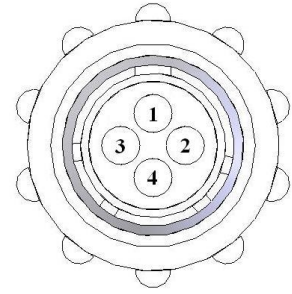
Pin 1	White	+5-12V Power
Pin 2	Brown	Ground
Pin 3	Green	Signal
Pin 4	Not Used	



Pin Outs (continued)

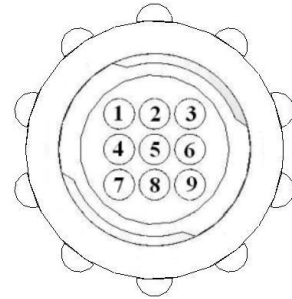
End of Row Sensor at 300 Controller Harness

Pin 1	Red/White	+12V Power
Pin 2	Black/White	Ground
Pin 3	Yellow	Signal
Pin 4	N/A	



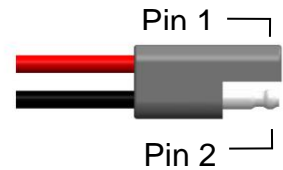
Moisture Sensor connection at 300 Controller Harness

Pin 1	Not Used	
Pin 2	Not Used	
Pin 3	Not Used	
Pin 4	Not Used	
Pin 5	Not Used	
Pin 6	Not Used	
Pin 7	Not Used	
Pin 8	Blue	Signal for Sensor 1
Pin 9	Blue	Signal for Sensor 2



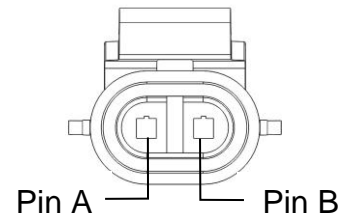
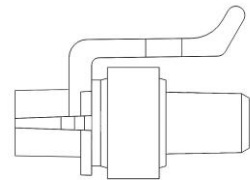
Pump connection at 300 Controller Harness

Pin 1	Red	Power to Pump
Pin 2	Black	Ground to Pump



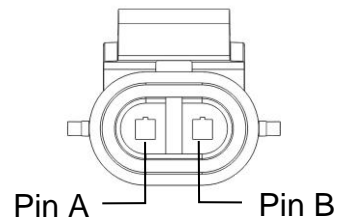
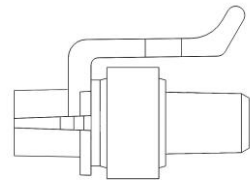
Solenoid Connection at 300 Controller Harness

Pin A	Black	Solenoid Pause
Pin B	White	Solenoid Ground

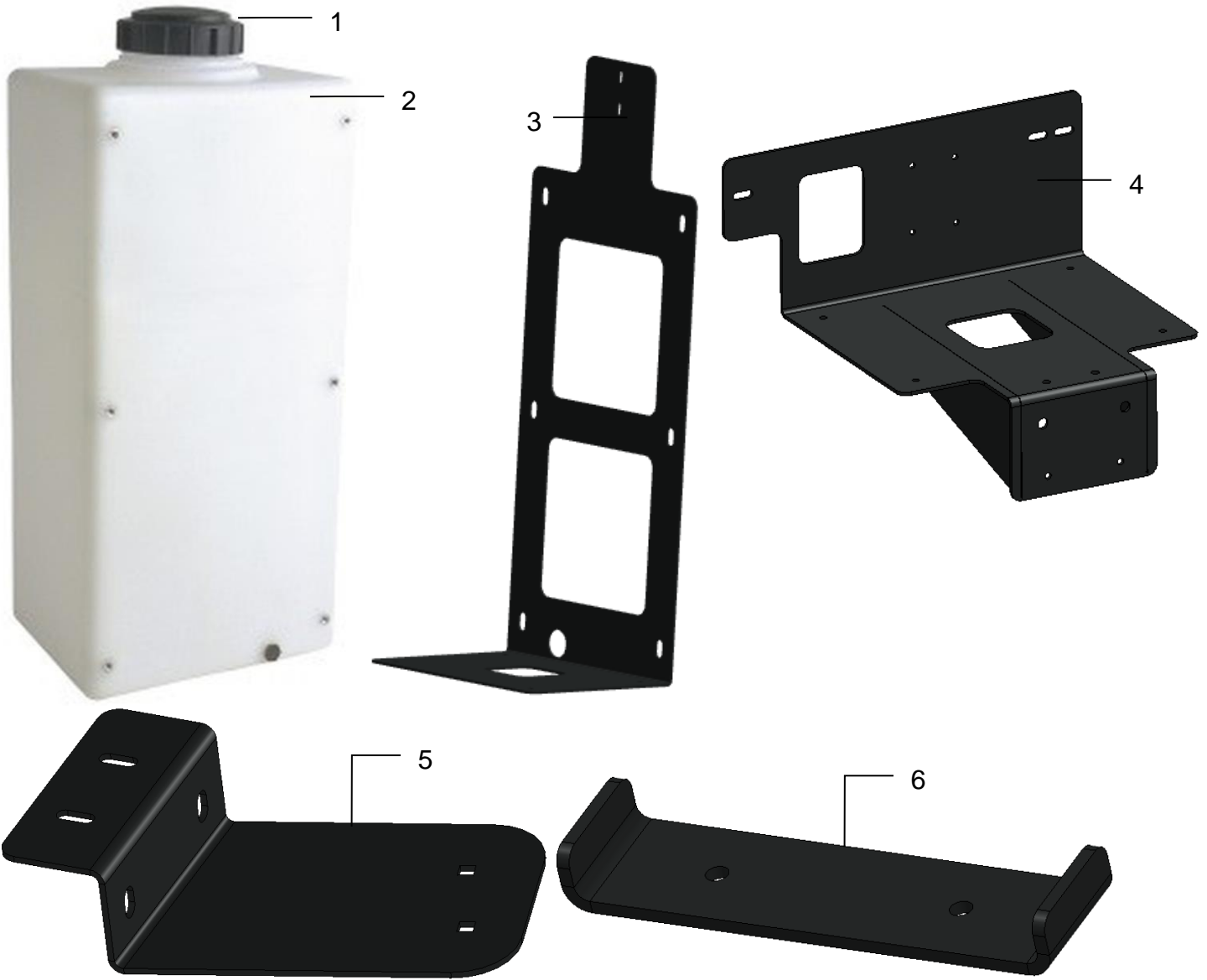


V2-DSM Connection at 300 Controller Harness

Pin A	Black	Solenoid Pause
Pin B	White	Solenoid Ground



Model 331 Base Kit

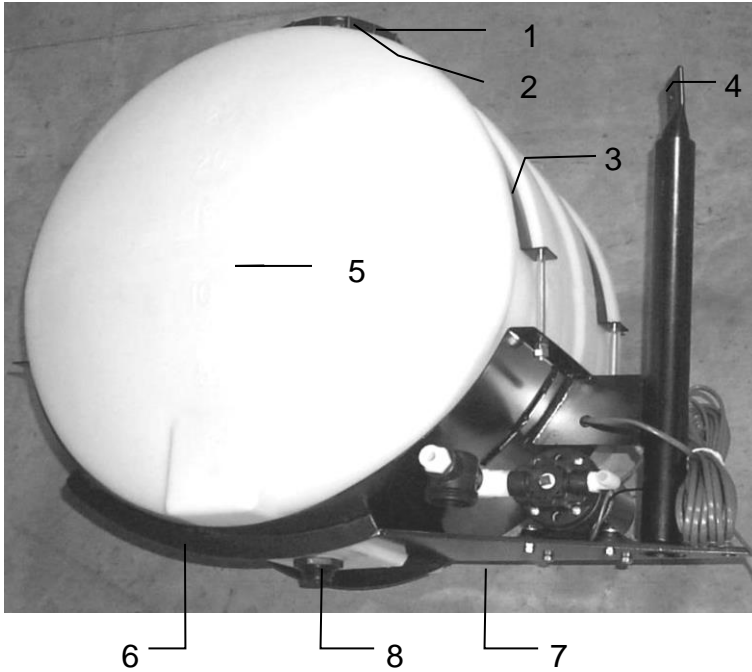


<u>Ref</u>	<u>Description</u>	<u>Part #</u>	<u>Qty</u>	<u>Ref</u>	<u>Description</u>	<u>Part #</u>	<u>Qty</u>
1	Tank Cap	005-9022C	1	8	Inside Reach Rod	001-4405	2
2	20 Gallon Tank	005-4705T	1	NP	3/4" Tank Fitting	005-9100	2
3	20 Gal Tank Bracket	001-4705A	1	NP	3/4" Street Fitting	003-SE34	1
4	20 Gal Tank Frame	001-4705B	1	NP	3/4" x 3/4" Elbow	003-EL3434	1
5	20 Gal Platform Bracket	001-4705C	1	NP	Cap Gasket (included)	005-9022CG	1
6	20 Gal Platform Standoff	001-4705D	1	NP	U-Bolt - Small	001-4714UBS	1
7	Outside Reach Rod	001-4404	2				

Complete Kit 030-0431-TK



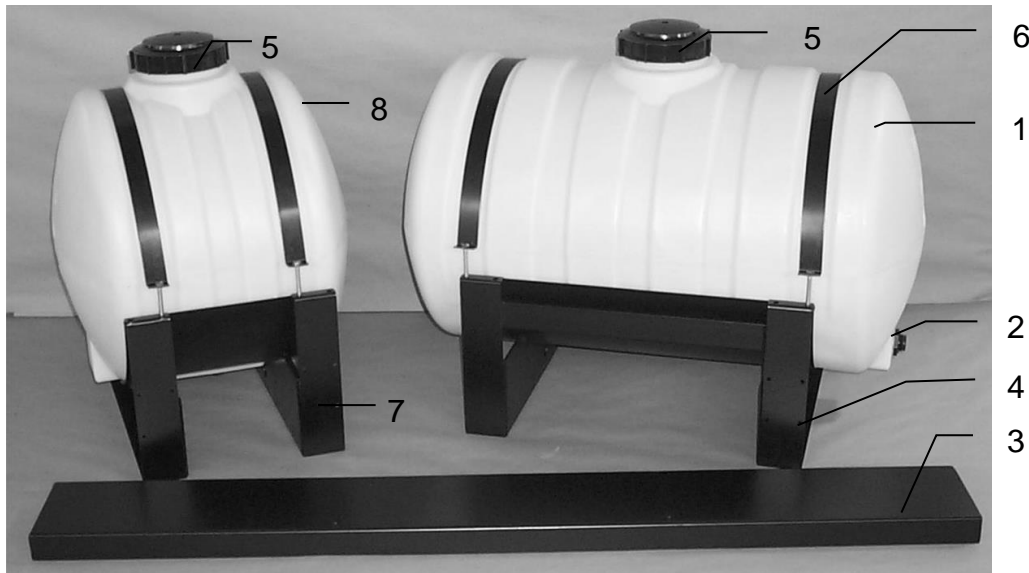
Model 346 Base Kit



<u>Ref</u>	<u>Description</u>	<u>Part #</u>	<u>Qty</u>
1	Tank Cap	005-9022C	1
2	Tank Cap Gasket	005-9022CG	1
3	Tank Strap	001-4402	2
4	Stub Pipe	001-4403	1
5	Tank	005-9022	1
6	Saddle	001-4401	1
7	Mounting Bracket	001-4647	1
8	Tank Fitting	005-9100	1

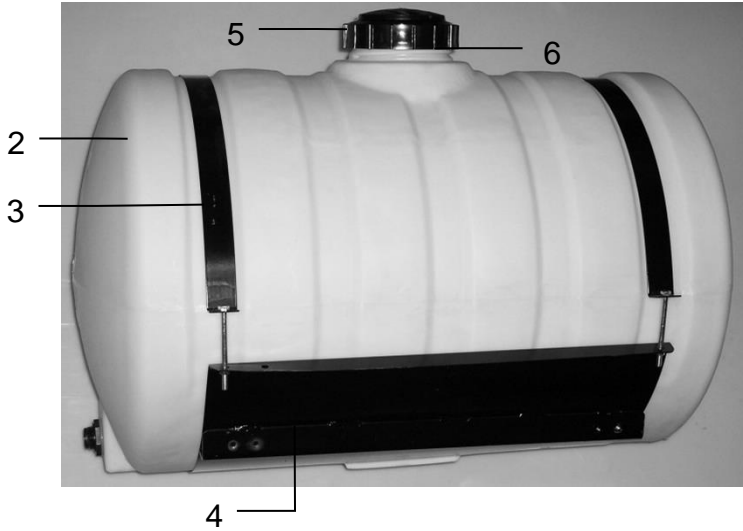
*25 Gal Tank Includes Bottom Fitting Only
 Tank Saddle Kit 030-0441-TK

Model 347 Base Kit



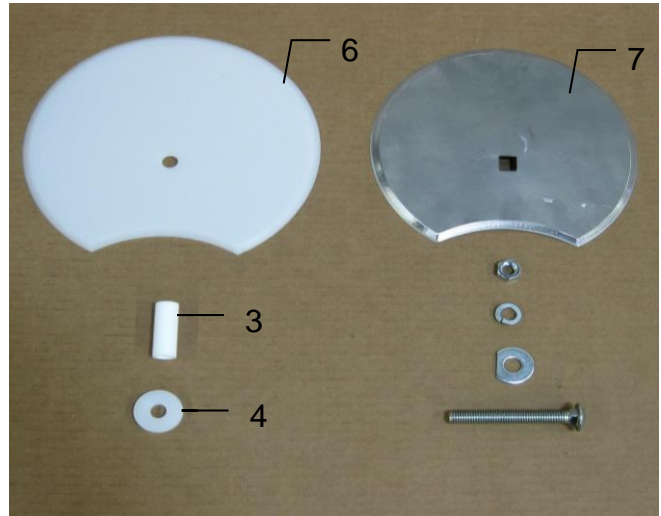
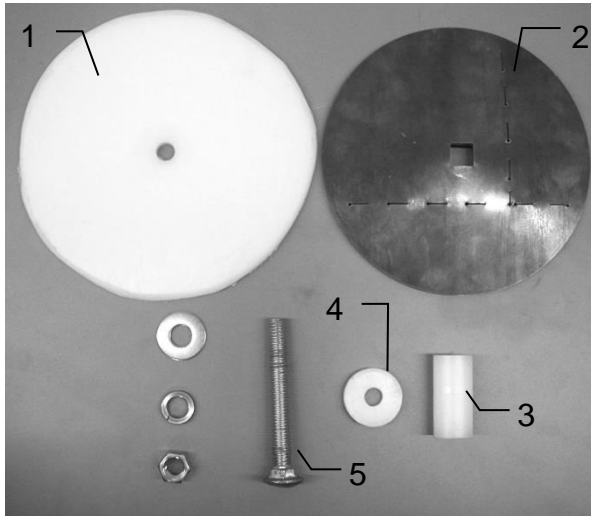
<u>Ref</u>	<u>Description</u>	<u>Part #</u>	<u>Qty</u>	<u>Ref</u>	<u>Description</u>	<u>Part #</u>	<u>Qty</u>
1	55 Gallon tank	005-9203	1	5	Tank lid	005-9022C	1
2	Tank fitting	005-9100	1		Tank lid gasket	005-9022CG	1
3	Cross support bracket	001-4445B	1	6	Tank strap	001-4402	1
4	55 Gallon saddle	001-4445A	1	7	25 Gallon saddle	001-4442	1
				8	25 Gallon tank	005-9022	1
					25 Gal Tank Saddle Kit	030-044225-TK (5-8)	
					55 Gal Tank Saddle Kit	030-044255-TK (1-6)	

Model 349 Base Kit



<u>Ref#</u>	<u>Description</u>	<u>Part #</u>	<u>Qty</u>
1	Tank	005-9203	1
2	Straps	001-4402	2
3	Tank Fitting	005-9100	2
4	Saddle	001-4703	1
5	Tank Cap	005-9022C	1
6	Tank Gasket	005-9022CG	1
Tank Saddle Kit		030-0448-TK (1-6)	

Moisture Sensor and Hoses Parts Breakdown



<u>Ref</u>	<u>Description</u>	<u>Part #</u>	<u>Qty</u>
1	Plastic Pad	006-4641F	2
2	Moisture Disc	006-4641H	2
3	Plastic Bushing	006-4641G	2
4	Plastic Isolator	006-4641I	2

<u>Ref</u>	<u>Description</u>	<u>Part #</u>	<u>Qty</u>
5	Carriage Bolt	Hardware	2
6	RB Isolator	006-4641FX	2
NP	Moisture Cable	006-4640G2	1
NP	Moisture Cable (347C & 4481C Install Kit)		

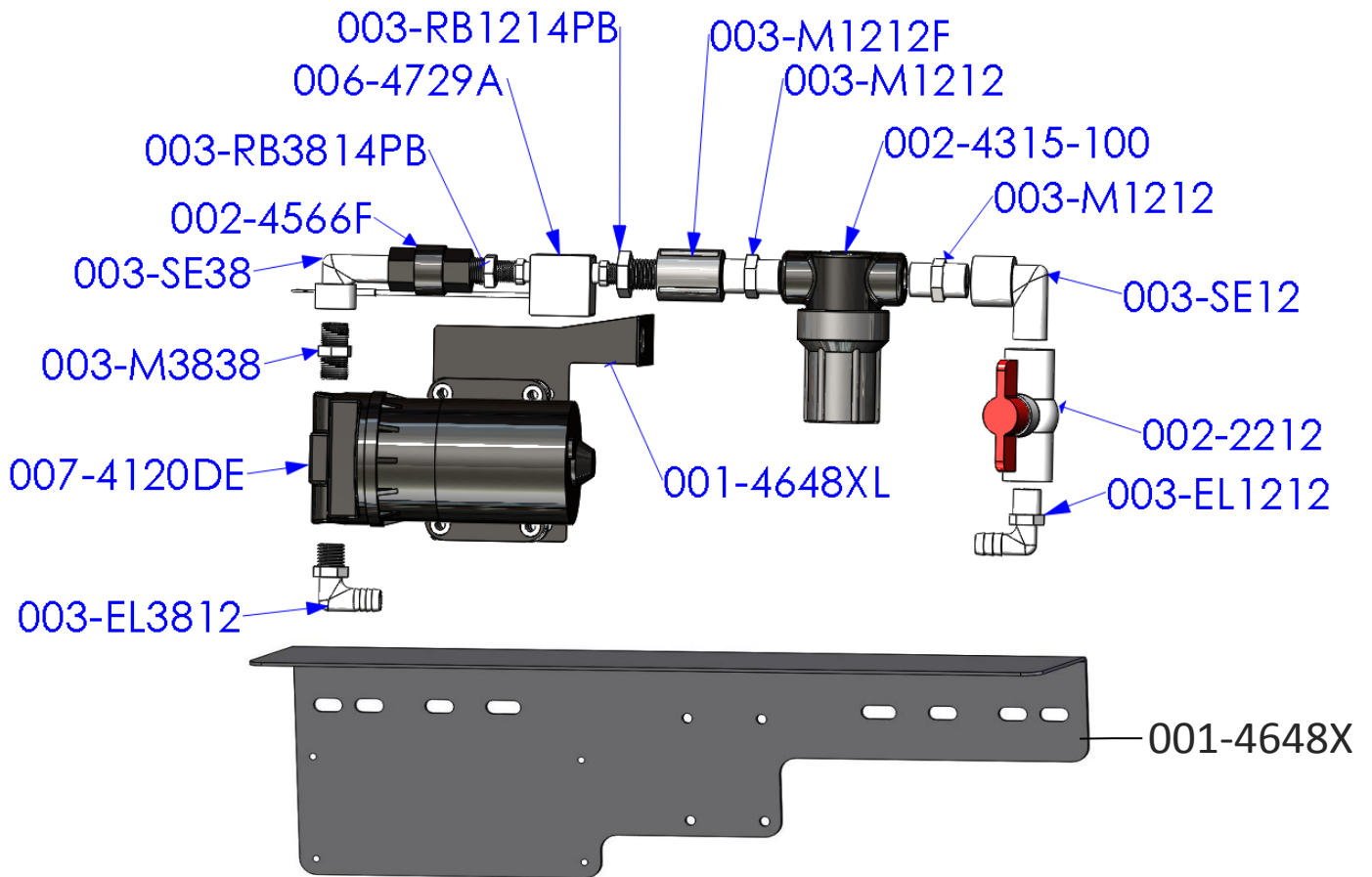
Moisture Pad Assembly (Ref 1-5)	030-4643	2
Complete Assembly (Ref 1-6)	MSH-RB-A	

Hoses



<u>Ref</u>	<u>Description</u>	<u>Part #</u>	<u>Qty</u>
7	1/2" Hose (Tank to Solenoid)	002-9001	15ft
8	1/4" Hose (Solenoid to Tips)	002-9016	6ft

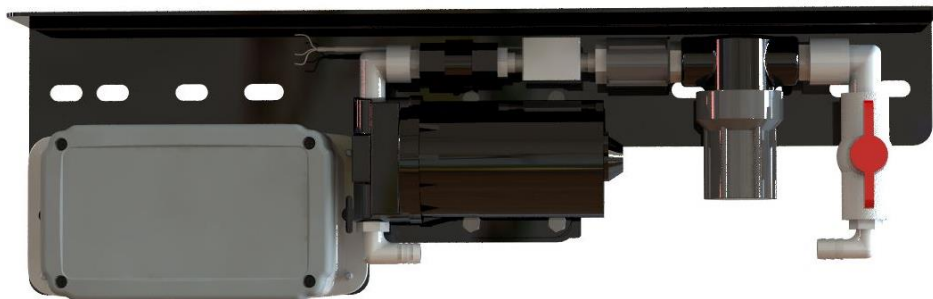
Parts Breakdown for Pump Assembly



<u>Part#</u>	<u>Description</u>	<u>Qty</u>	<u>Part#</u>	<u>Description</u>	<u>Qty</u>
003-EL3812	3/8" MPT X 1/2" HB Elbow	1	003-M1212	1/2" Union	2
007-4120DE	300 Series Pump	1	002-4315-100	1/2" Line Strainer-100 Mesh	1
003-M3838	3/8" x 3/8" Union	1	003-SE12	1/2" Street Elbow	1
003-SE38	3/8" Street Elbow	1	002-2212	1/2" Ball Valve	1
002-4566F	3/8" Check Valve	1	003-EL1212	1/2" MPT x 1/2" HB	1
003-RB3814PB	RB 3/8" x 1/4" Reducer	1	001-4648XL	300 Pump Support	1
006-4729A	Flow Meter – Block Style	1	001-4648X	Pump Plate Mount	1
003-RB1214PB	RB 1/2" x 1/4" Reducer	1	003-A1212	Not Pictured	
003-M1212F	1/2" Coupler	1	003-A3812	Not Pictured	

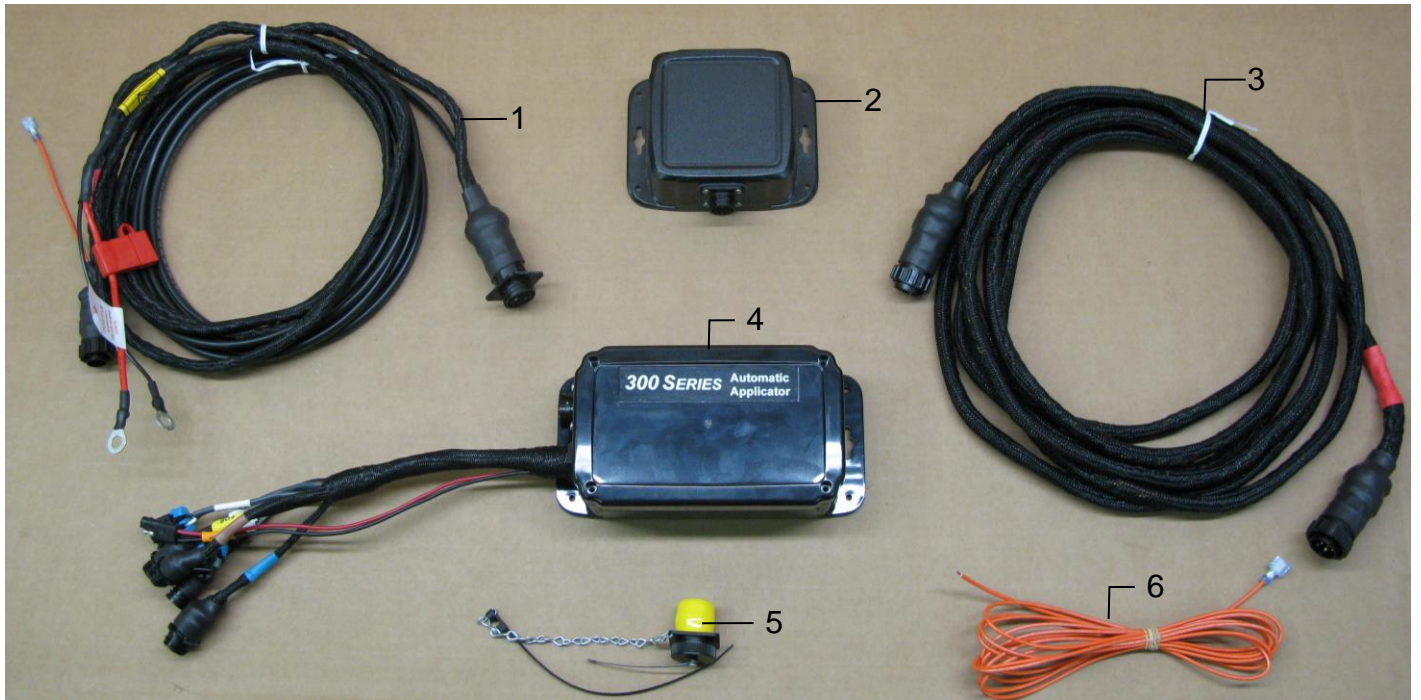
Pump Assembly PMP-3636P (001-4648X Not Included)

Completed Assembly



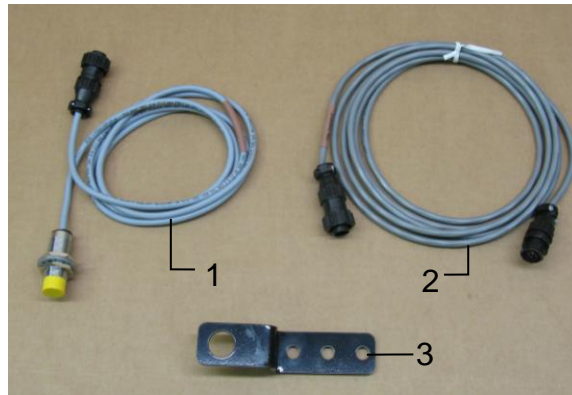
*Note: Due to alternative baler designs, elbow 003-EL3812 can be replaced by straight fitting 003-A3812. As well as elbow 003-EL1212 can be replaced by straight fitting 003-A1212. Both straight fittings are included.

Control Box and Wiring Harnesses



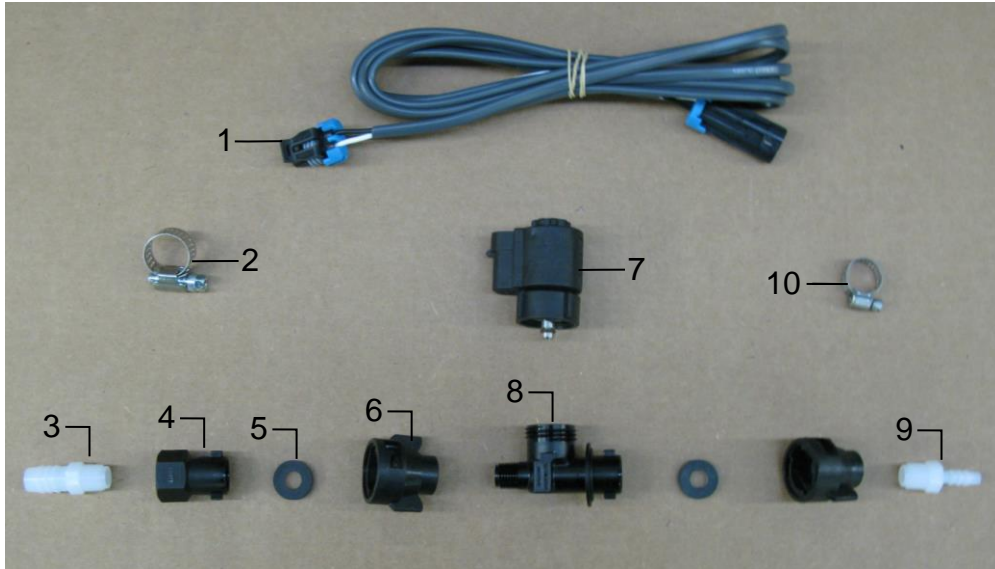
<u>Ref</u>	<u>Description</u>	<u>Part #</u>	<u>Qty</u>
1	Tractor Power Harness	006-3650T	1
2	iPad Integration Control	030-6672C	1
3	Baler Power Harness (20')	006-3650B1	1
4	Control Box	006-3671RB	1
5	Dust Plug Kit	006-5651Plug	1
6	Key Switch Harness	006-5650K	1
NP	USB Cable	006-6672USBC	
	Complete Assembly	030-363CPA	

End of Bale Sensor Kit A



<u>Ref</u>	<u>Description</u>	<u>Part #</u>	<u>Qty</u>
1	End of Bale Sensor	006-7400	1
2	EOB Extension	006-7400EXT	1
3	End of Bale Bracket	001-4648RB	1
	Complete Assembly	EOB-RB-A	

300 Solenoid Packages

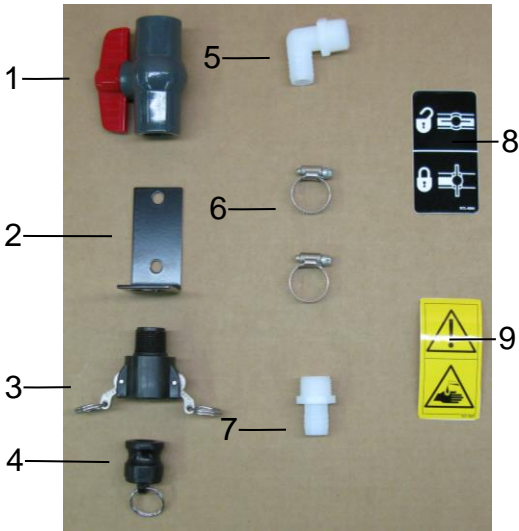


Solenoid Package A (Applicator Kit: 351)

<u>Ref</u>	<u>Description</u>	<u>Part #</u>	<u>Qty</u>	<u>Ref</u>	<u>Description</u>	<u>Part #</u>	<u>Qty</u>
1	Solenoid Harness (5')	006-3650-S1	1	6	1/4" Female Disconnect	004-1207H	2
2	#6 Hose Clamp	003-9003	1	7	Solenoid	002-2203F	1
3	1/4" x 1/2" Straight Fitting	003-A1412	1	8	Solenoid Valve Body	004-1207VF	1
4	1/4" Female Connector	004-1207G	1	9	1/4" x 1/4" Straight Fitting	003-A1414	1
5	Rubber Washer	004-1207W	2	10	Mini Hose Clamp	003-9002	1
Complete Assembly						SOL-3SP-A	

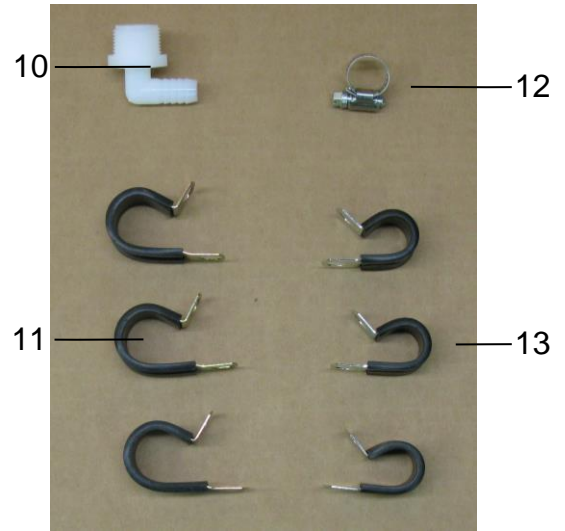
Parts Bag Packages

PBA-1



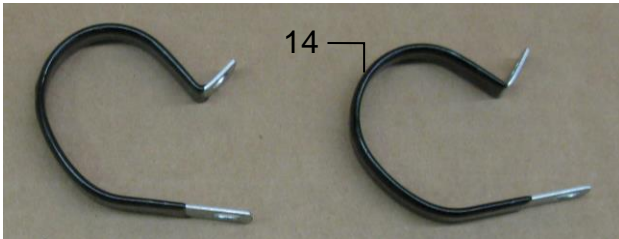
<u>Ref</u>	<u>Description</u>	<u>Part #</u>	<u>Qty</u>
1	3/4" Ball Valve	002-2200	1
2	Valve Holder	001-6702H	1
3	Female Coupler	002-2204A	1
4	Male Shut-Off Plug	002-2205G	1
5	3/4" x 3/4" Elbow	003-EL3434	1
6	#10 Hose Clamp	003-9004	2
7	3/4" x 3/4" Straight Fitting	003-A3434	1
8	Valve Decal	DCL-8004	1
9	Chemical Hazard Decal	DCL-8001	1
Complete Drain Fill Kit		030-0493DFK	

PBP-16



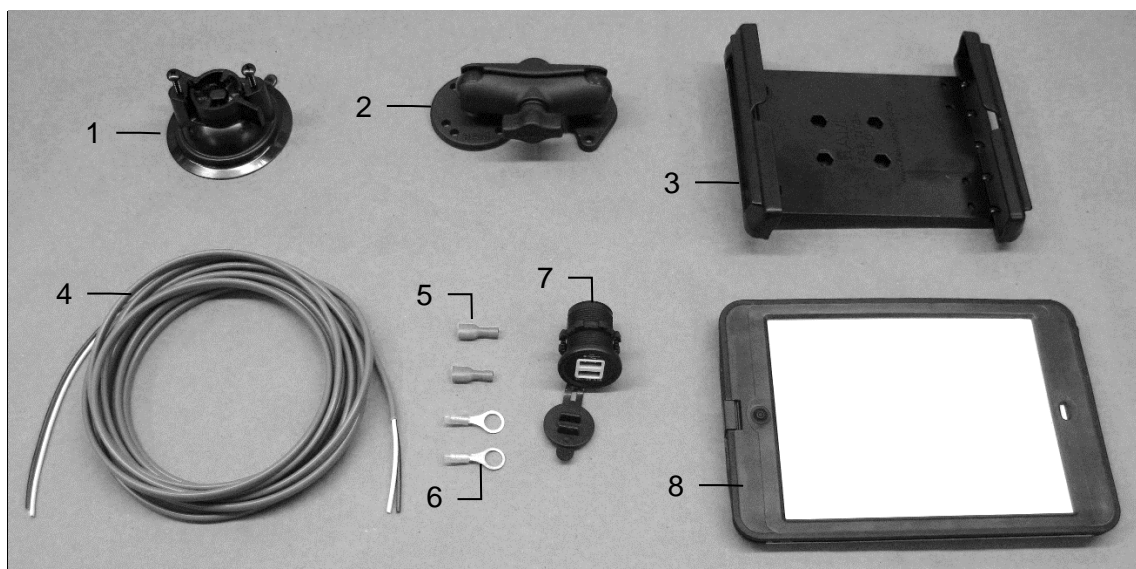
<u>Ref</u>	<u>Description</u>	<u>Part #</u>	<u>Qty</u>
10	3/4" x 1/2" Elbow	003-EL3412	1
11	3/4" Jiffy Clip	008-9010	3
12	#6 Hose Clamp	003-9003	1
13	Small Jiffy Clip	008-9009	3

PBP-17



<u>Ref</u>	<u>Description</u>	<u>Part #</u>	<u>Qty</u>
14	Vinyl Clamp	008-9013	1

Optional iPad Mini Mounting Kit (030-2014MK)



<u>Ref</u>	<u>Description</u>	<u>Part #</u>	<u>Qty</u>
1	Suction cup mount	001-2012SCM	1
2	Ram mount	001-2012H	1
3	iPad Mini® spring load cradle (Mini 4)	001-2012SLC	1
4	16 gauge power wire	006-4723P	1
5	Female spade connector	Hardware	2
6	Eye loop connector	Hardware	2
7	iPad Mini Charger 12V	001-2012P	1
8	iPad Mini 4 case	001-2012C4	1
NP	4 amp fuse	Hardware	1
	Mounting Kit Assembly	030-2014MK (Includes All Parts)	

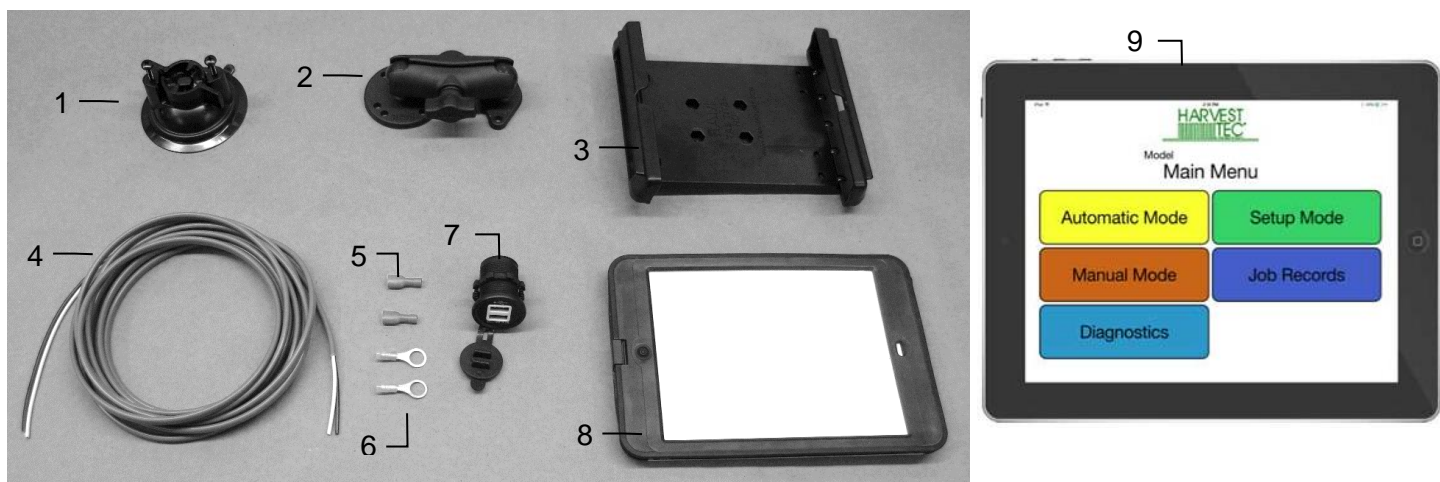
Installation Instructions

1. Identify 12V power source for wires to connect.
 - a. Eye loops included if wiring directly to the battery is desired.
 - b. Test for key power source if preferred to have power to the USB shut off with the key.
2. Once power source is identified, cut wires to desired length.
3. Crimp the two supplied quick connectors onto each the white and black wire.
4. Remove the round locking plastic nut from USB plug before connecting the wires. Black (+) White (-).
5. The wires will then be hooked to the designated terminals on the bottom of the USB plug
6. Drill a 1 1/8" hole in the preferred mounting location. Be sure to clean any sharp edges after drilling.
7. Feed the wires through the mounting hole.
8. If using the round plastic nut to secure plug in place, slide the nut back over the wiring before connecting the wires to powered source.
9. Connect the wires to the identified power source if easier to do so before tightening the plug into place.
10. Tighten plug using either the round plastic nut or mounting plate and two screws, both options supplied.
11. Once connected, hook a USB charging cord into the plug and connect a mobile device/tablet to ensure the plug is operating as you wish (key power working properly if necessary).

NOTE: This plug is not designed to charge two iPads. System damage could occur if this is attempted. System will charge a mobile phone and iPad simultaneously without problem.

*iPad mini is a trademark of Apple Inc., registered in the U.S. and other countries.

Optional iPad Display Kit (030-4670DK)



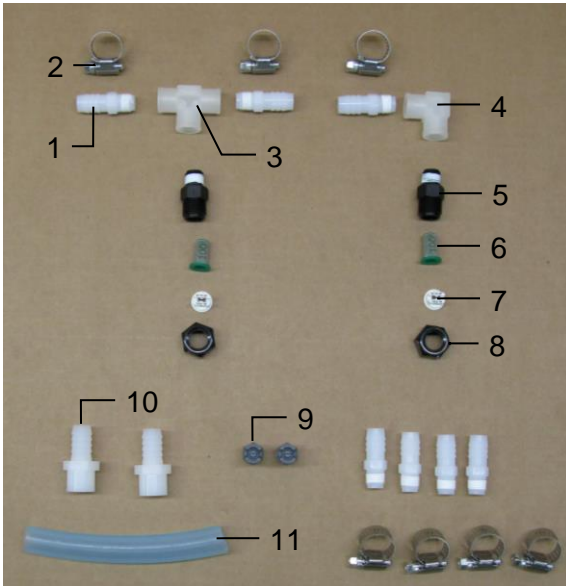
Ref	Description	Part #	Qty	Ref	Description	Part #	Qty
1	Suction cup mount	001-2012SCM	1	7	iPad Mini Charger 12V	001-2012P	1
2	Ram mount	001-2012H	1	8	iPad Mini 4 case	001-2012C4	1
3	iPad Mini spring load cradle (Mini 4)	001-2012SLC	1	9	iPad Mini 4	006-4670IP	1
4	16 gauge power wire	006-4723P	1	NP	4 amp fuse	Hardware	1
5	Female spade connector	Hardware	2				
6	Eye loop connector	Hardware	2				
					Mounting Kit Assembly	030-4670DK (Includes All Parts)	

Installation Instructions

1. Identify 12V power source for wires to connect.
 - a. Eye loops included if wiring directly to the battery is desired.
 - b. Test for key power source if preferred to have power to the USB shut off with the key.
2. Once power source is identified, cut wires to desired length.
3. Crimp the two supplied quick connectors onto the white and black wire.
4. Remove the round locking plastic nut from USB plug before connecting the wires. Black (+) White (-).
5. The wires will then be hooked to the designated terminals on the bottom of the USB plug
6. Drill a 1 1/8" hole in the preferred mounting location. Be sure to clean any sharp edges after drilling.
7. Feed the wires through the mounting hole.
8. If using the round plastic nut to secure plug in place, slide the nut back over the wiring before connecting the wires to powered source.
9. Connect the wires to the identified power source if easier to do so before tightening the plug into place.
10. Tighten plug using either the round plastic nut or mounting plate and two screws, both options supplied.
11. Once connected, hook a USB charging cord into the plug and connect a mobile device/tablet to ensure the plug is operating as you wish (key power working properly if necessary).

NOTE: This plug is not designed to charge two iPads. System damage could occur if this is attempted. System will charge a mobile phone and iPad simultaneously without problem.

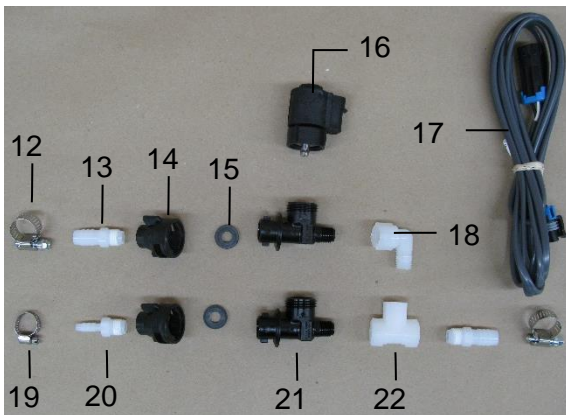
Optional High Output Kit (300RBHTK)



<u>Ref</u>	<u>Description</u>	<u>Part #</u>	<u>Qty</u>
1	1/4" x 1/2" Straight Fitting	003-A1412	7
2	#6 Hose Clamp	003-9003	7
3	1/4" Tee	003-TT14SQ	1
4	1/4" Sq Elbow	003-SE14F	1
5	Nozzle Body	004-4722	2
6	Tip Screens	004-1203-100	2
7	High Output Tip – White	004-XR11008VS	2
8	Nozzle Body Cap	004-4723	2
9	High Output Tip – Grey	004-T8008-PT	2
10	1/4" x 1/2" Sq Fitting	003-A1412F	2
11	1/2" Hose	002-9001	6ft

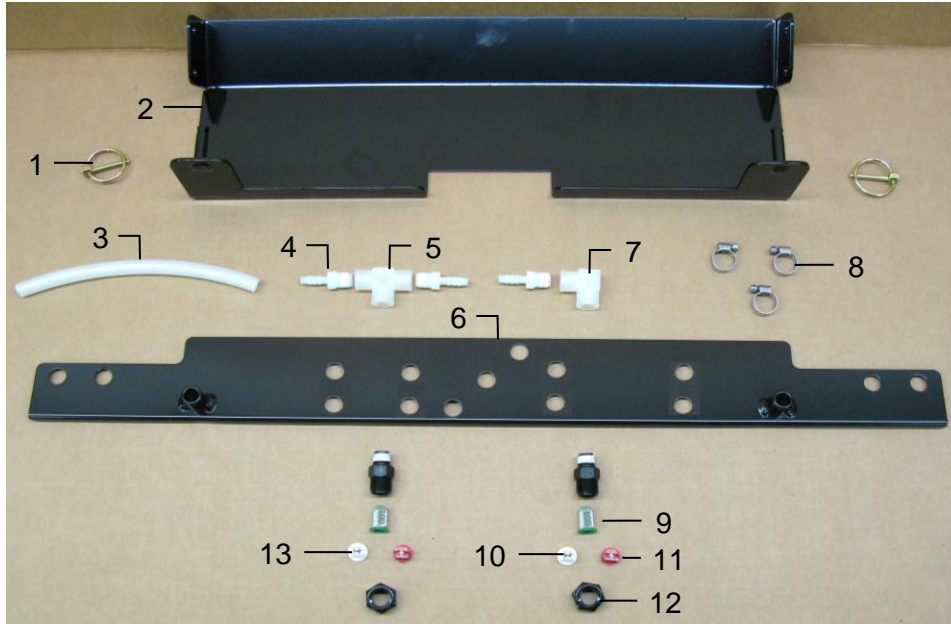
* Tip color subject to change

High Output Solenoid (Included with 300RBHTK Kit)



<u>Ref</u>	<u>Description</u>	<u>Part #</u>	<u>Qty</u>
12	#6 Hose Clamp	003-9003	2
13	1/4" x 1/2" Straight Fitting	003-A1412	2
14	Female Quick Coupler	004-1207H	2
15	Rubber Washer	004-1207W	1
16	Solenoid	002-2203F	1
17	Solenoid Harness (10')	006-3650-S2	1
18	1/4" Street Elbow	003-SE14	1
19	Mini Hose Clamp	003-9002	1
20	1/4" x 1/4" Straight Fitting	003-A1414	1
21	Solenoid Check Valve	004-1207VF	2
22	1/4" Tee	003-TT14	1

34725-SO Spray Shield Assembly

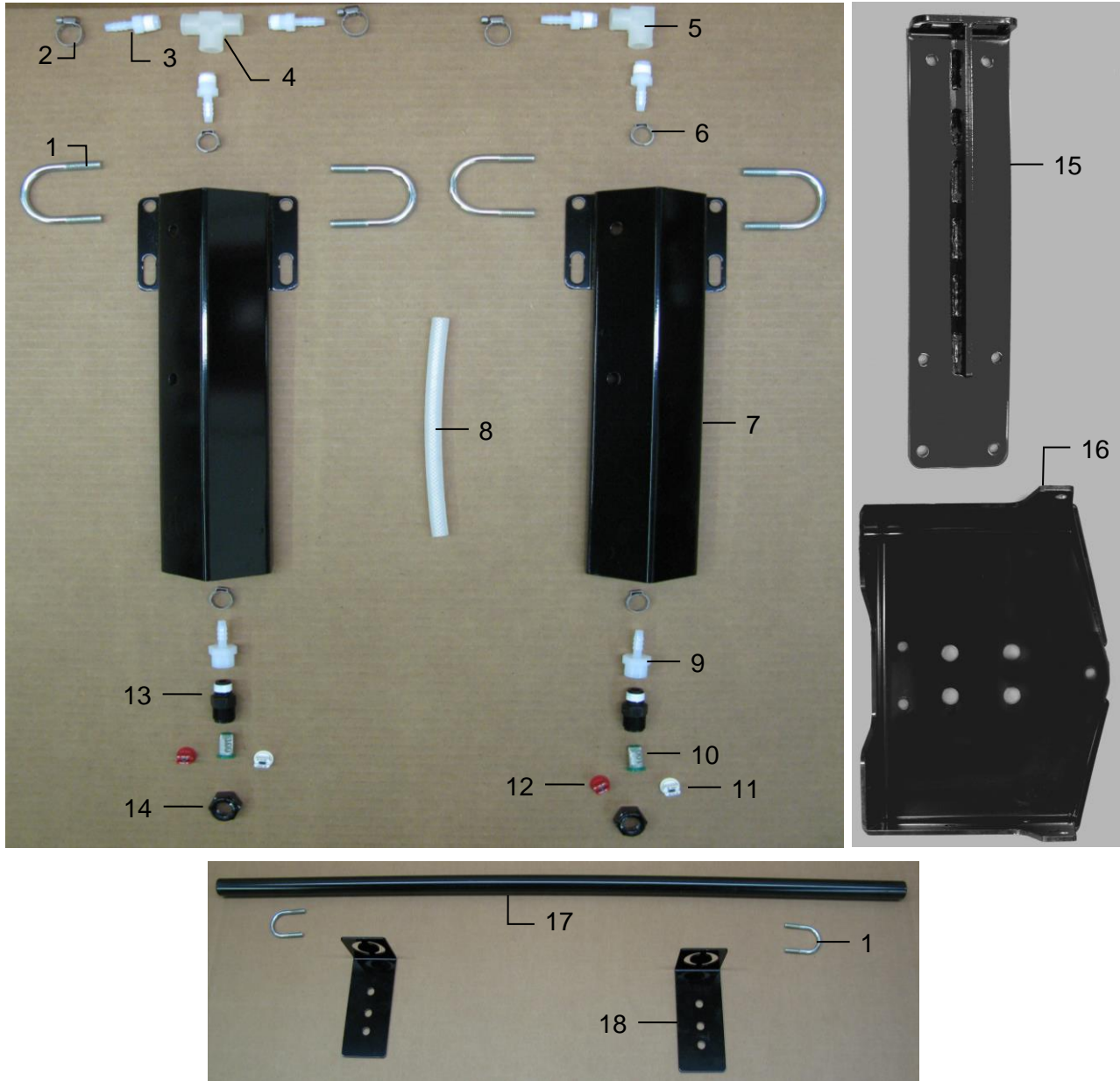


<u>Ref</u>	<u>Description</u>	<u>Part #</u>	<u>Qty</u>	<u>Ref</u>	<u>Description</u>	<u>Part #</u>	<u>Qty</u>
1	3/16" Lynch Pin	008-4576	2	8	Hose clamp	003-9002	3
2	Shield bracket	001-4810BRH	1	9	Nozzle body	004-4722	2
3	Hose	002-9016	2 ft	10	Tip - White	004-XR11008VS	2
4	Straight fitting	003-A1414	3	11	Tip - Red	004-XR11004VS	2
5	Tee	003-TT14SQ	1	12	Nozzle cap	004-4723	2
6	Spray shield	001-4810B	1	13	Tip strainer	004-1203-100	2
7	1/4" Female Elbow	003-SE14F	1				

* Tip color subject to change

Complete Assembly 030-034725-SO

4481C Installation Kit

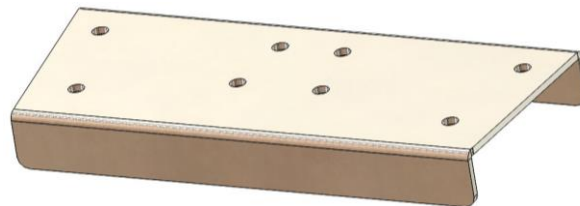
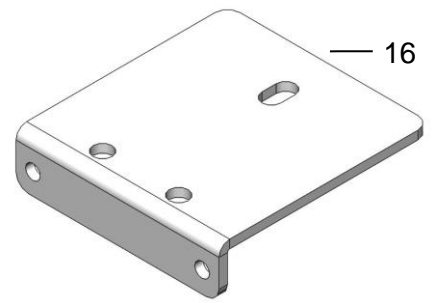
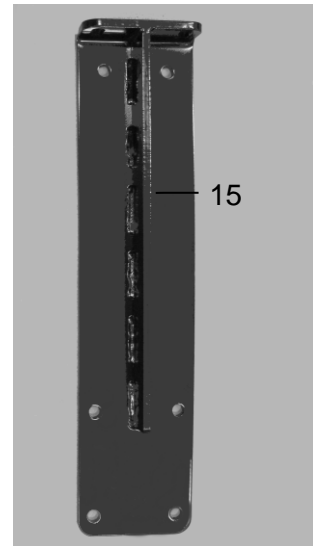
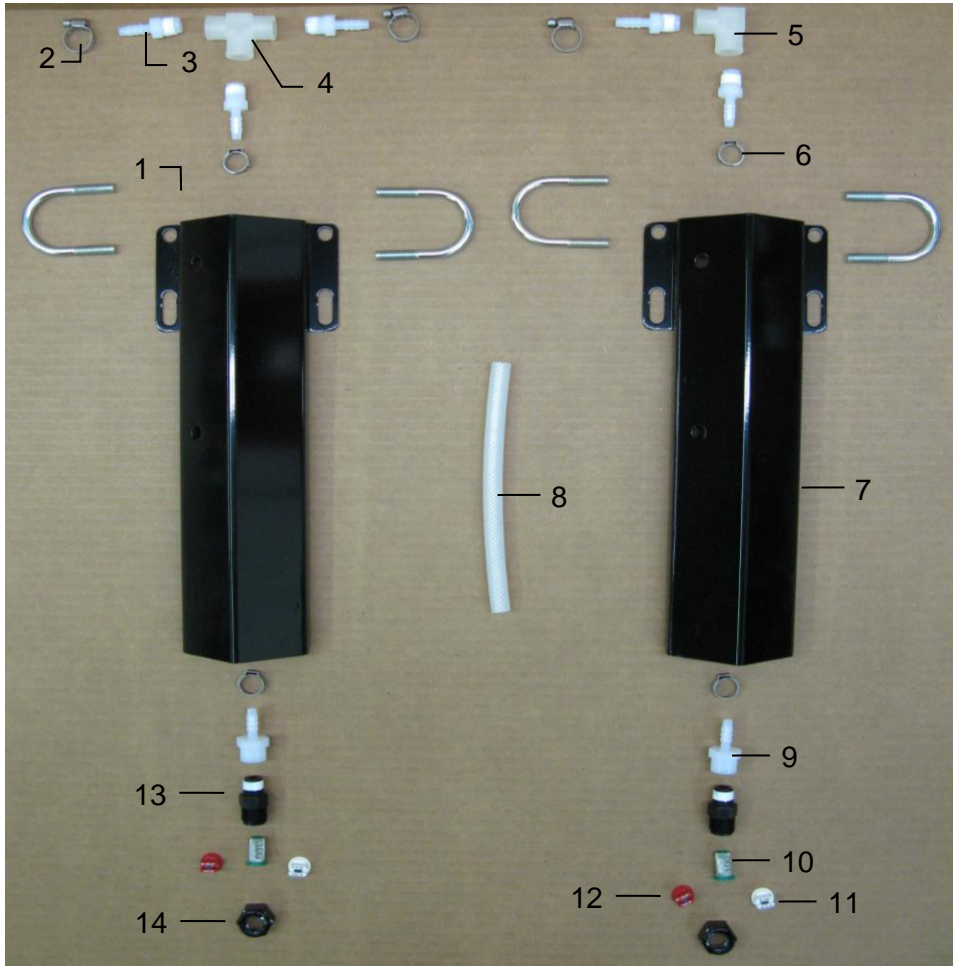


Ref	Description	Part #	Qty	Ref	Description	Part #	Qty
1	U bolt	001-4714UBS	6	11	Tip – White	004-XR11008VS	2
2	Hose clamp	003-9002	2	12	Tip – Red	004-XR11004VS	2
3	1/4" x 1/4" Fitting	003-A1414	5	13	Nozzle Body	004-4723	2
4	1/4" Sq Tee	003-TT14SQ	1	14	Nozzle Cap	004-4722	2
5	1/4" Female St Elbow	003-SE14F	1	15	Side Tank Support	001-4704MAK	2
6	Oetiker Clamp	003-9008	4	16	Tank Support	001-4704MK	1
7	Nozzle Holder	001-4714J	2	17	Nozzle holder	001-4703TP	1
8	Hose	002-9016	3 ft	18	Pipe Holder	001-4703TH	2
9	1/4" x 1/4" Fitting	003-A1414F	2	NP	477 Jiffy Clip	008-9014	2
10	Tip Strainer	004-1203-100	2				

* Tip color subject to change

Shield Only (Ref 1-14)	030-4714J-SO
Tank Mount (Ref 15-16)	TMK-4481
Pipe Kit (Ref 17-18)	SMK-UNIV-PIPE
Complete Assembly	030-4481C

4482C Installation Kit

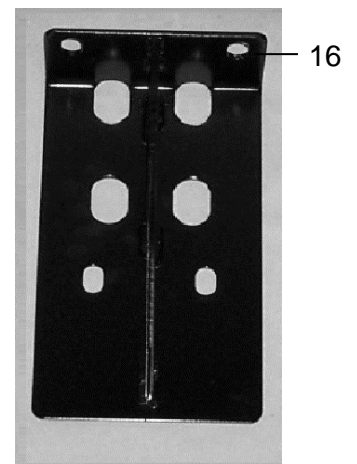
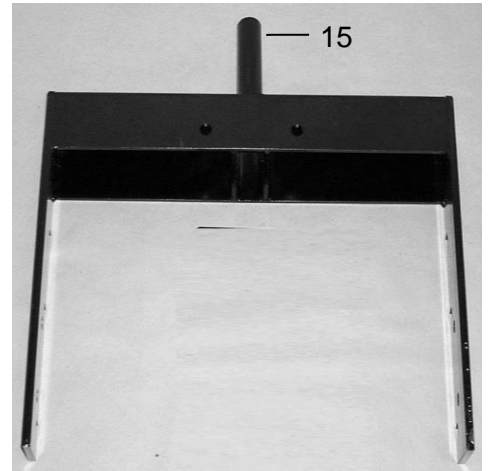
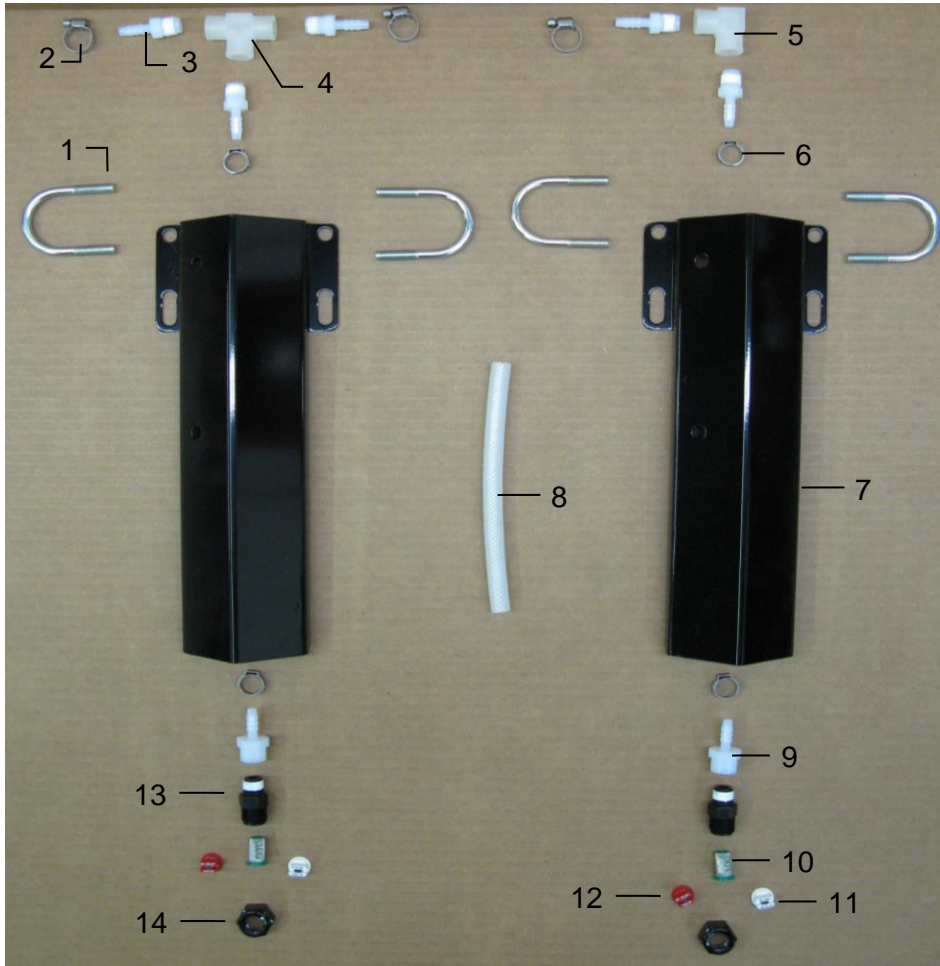


<u>Ref</u>	<u>Description</u>	<u>Part #</u>	<u>Qty</u>	<u>Ref</u>	<u>Description</u>	<u>Part #</u>	<u>Qty</u>
1	U bolt	001-4714UBS	6	10	Tip Strainer	004-1203-100	2
2	Hose clamp	003-9002	2	11	Tip – White	004-XR11008VS	2
3	1/4" x 1/4" Fitting	003-A1414	5	12	Tip – Red	004-XR11004VS	2
4	1/4" Sq Tee	003-TT14SQ	1	13	Nozzle Body	004-4723	2
5	1/4" Female St Elbow	003-SE14F	1	14	Nozzle Cap	004-4722	2
6	Oetiker Clamp	003-9008	4	15	Mounting Bracket	001-4704MAK	2
7	Nozzle Holder	001-4714	2	16	Front Mount Plate Pro	001-4703VZ	1
8	Hose	002-9016	3 ft	17	Top Support	001-4704MRF	1
9	1/4" x 1/4" Fitting	003-A1414F	2	NP	477 Jiffy Clip	008-9014	2

* Tip color subject to change

Shield Only (Ref 1-14) 030-4714-SO
 Tank Mount Kit (Ref 15-16) TMK-4482
 Complete Assembly 030-4482C

4483C Installation Kit



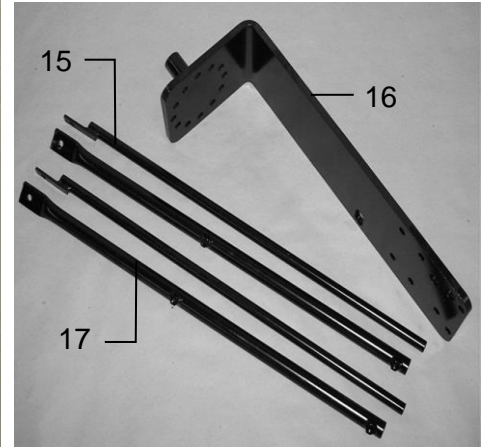
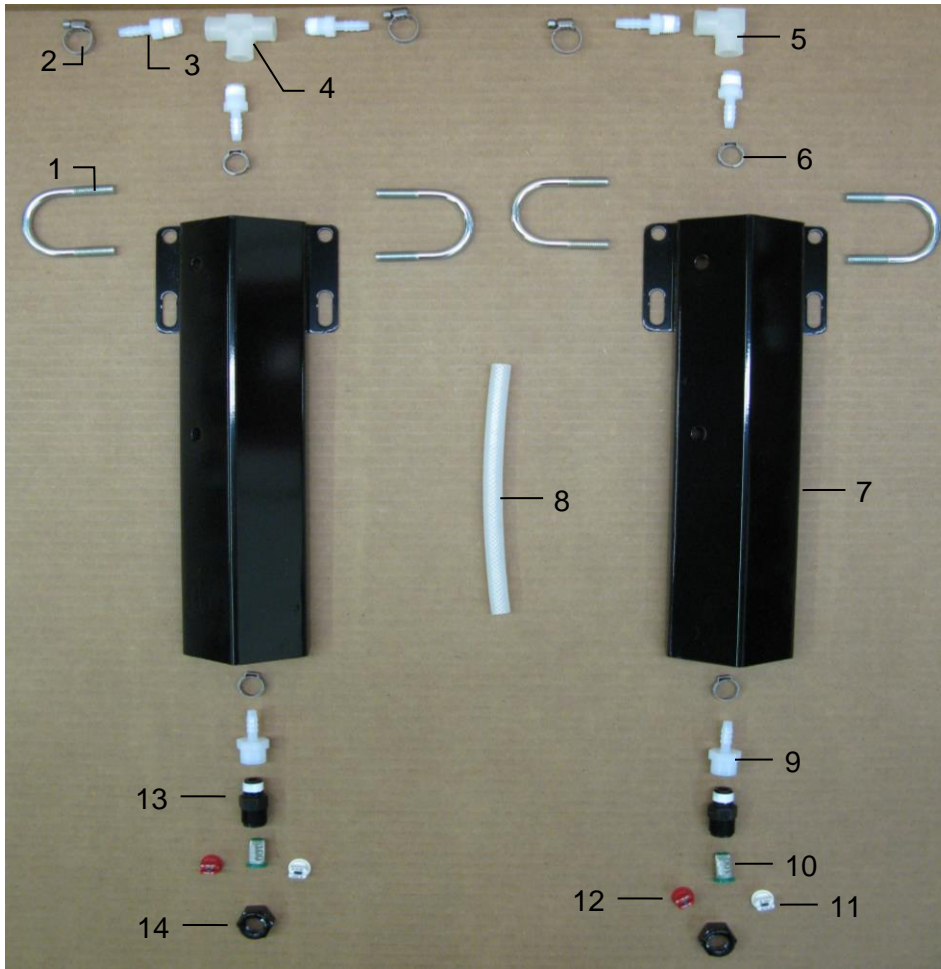
<u>Ref</u>	<u>Description</u>	<u>Part #</u>	<u>Qty</u>	<u>Ref</u>	<u>Description</u>	<u>Part #</u>	<u>Qty</u>
1	U bolt	001-4714UBS	6	10	Tip Strainer	004-1203-100	2
2	Hose clamp	003-9002	2	11	Tip - White	004-XR11008VS	2
3	1/4" x 1/4" Fitting	003-A1414	5	12	Tip - Red	004-XR11004VS	2
4	1/4" Sq Tee	003-TT14SQ	1	13	Nozzle Body	004-4723	2
5	1/4" Female St Elbow	003-SE14F	1	14	Nozzle Cap	004-4722	2
6	Oetiker Clamp	003-9008	4	15	Mounting Bracket	001-4411	1
7	Nozzle Holder	001-4714J	2	16	Tank Bracket Brace	001-4411A	1
8	Hose	002-9016	3 ft	NP	477 Jiffy Clip	008-9014	2
9	1/4" x 1/4" Fitting	003-A1414F	2				

* Tip color subject to change

Shield Only (Ref 1-14)
 Tank Mount Kit (Ref 15-16)
 Complete Assembly

030-4714J-SO
 TMK-4483
 030-4483C

4484C Installation Kit

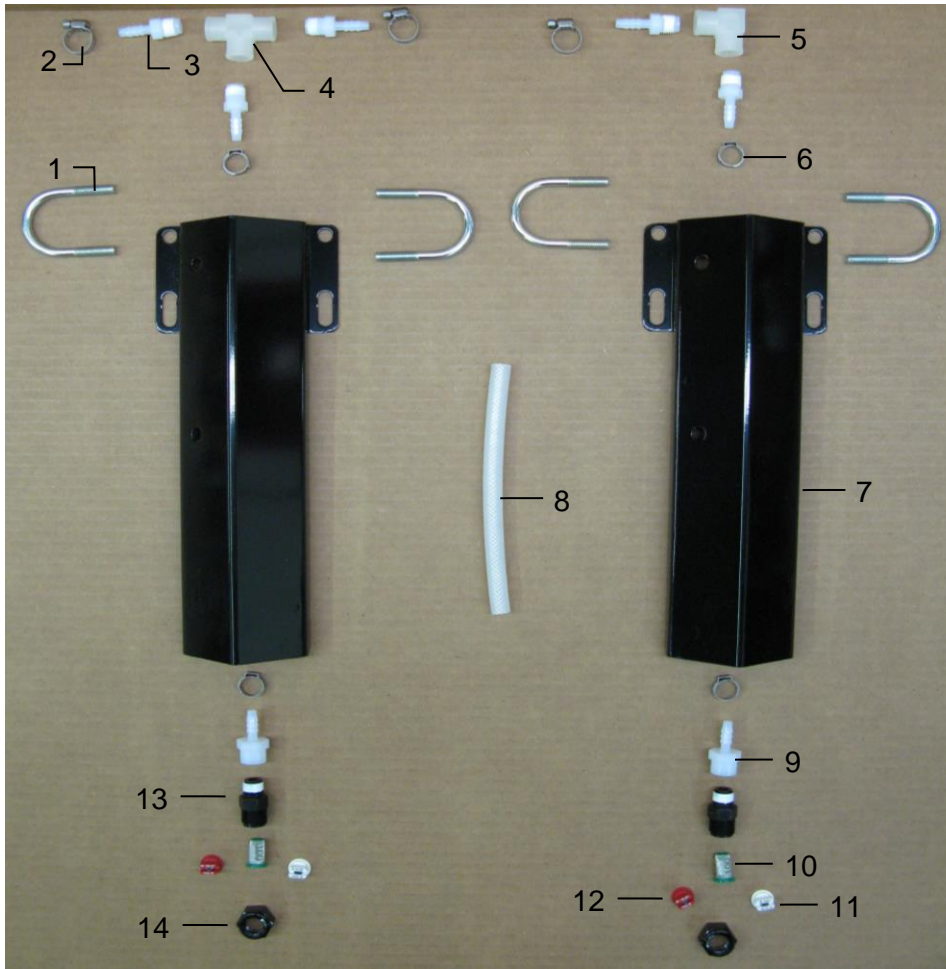


<u>Ref</u>	<u>Description</u>	<u>Part #</u>	<u>Qty</u>	<u>Ref</u>	<u>Description</u>	<u>Part #</u>	<u>Qty</u>
1	U bolt	001-4714UBS	4	10	Tip Strainer	004-1203-100	2
2	Hose clamp	003-9002	2	11	Tip – White	004-XR11008VS	2
3	1/4" x 1/4" Fitting	003-A1414	5	12	Tip – Red	004-XR11004VS	2
4	1/4" Sq Tee	003-TT14SQ	1	13	Nozzle Body	004-4723	2
5	1/4" St Elbow	003-SE14F	1	14	Nozzle Cap	004-4722	2
6	Oetiker Clamp	003-9008	4	15	Reach Rod – Outside	001-4404	2
7	Nozzle Holder	001-4714J	2	16	Tank Mount Bracket	001-4418	1
8	Hose	002-9016	3 ft	17	Reach Rod - Inside	001-4405	2
9	1/4" x 1/4" Fitting	003-A1414F	2	NP	477 Jiffy Clip	008-9014	2

* Tip color subject to change

Shield Only (Ref 1-14)	030-4714J-SO
Tank Mount Kit (Ref 15-17)	TMK-4484
Complete Assembly	030-4484C

4486C Installation Kit

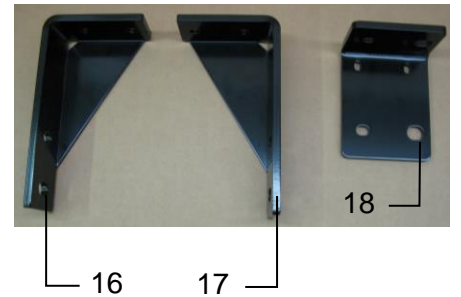
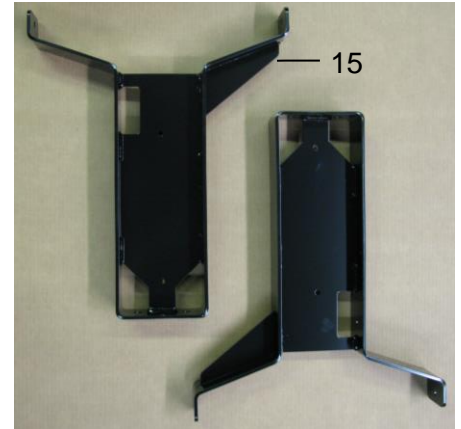
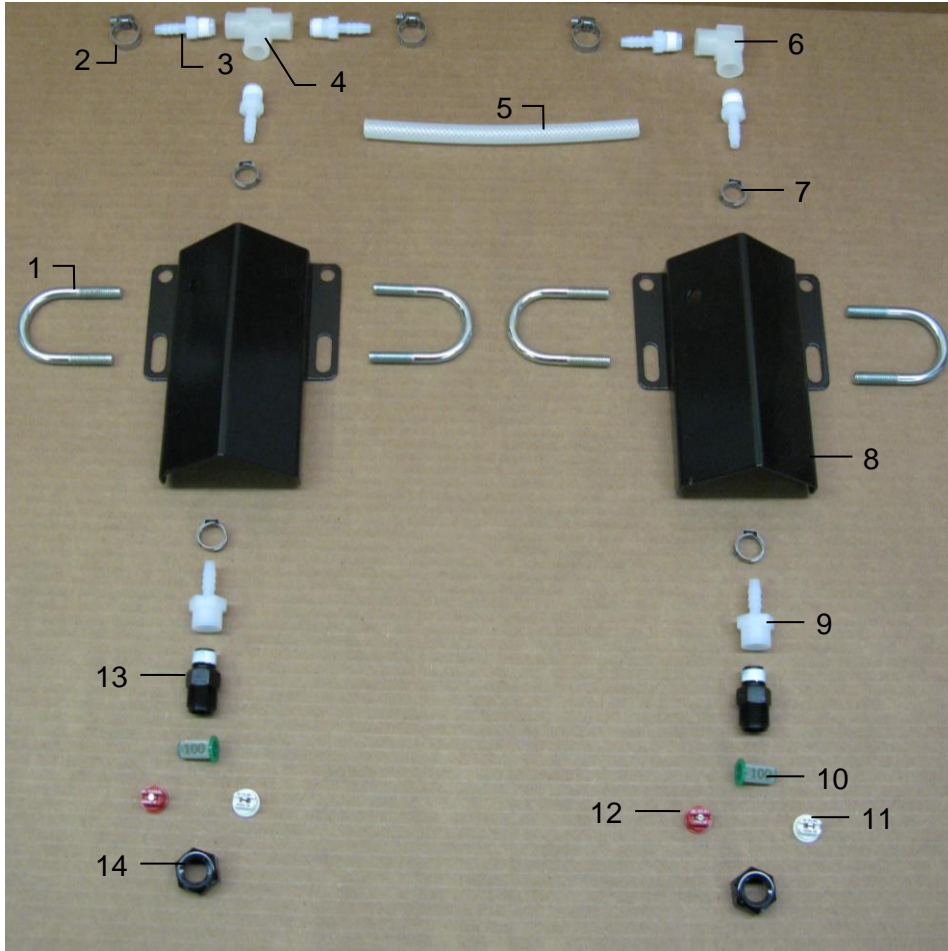


<u>Ref</u>	<u>Description</u>	<u>Part #</u>	<u>Qty</u>	<u>Ref</u>	<u>Description</u>	<u>Part #</u>	<u>Qty</u>
1	U bolt	001-4714UBS	4	10	Tip Strainer	004-1203-100	2
2	Hose clamp	003-9002	2	11	Tip - White	004-XR11008VS	2
3	1/4" x 1/4" Fitting	003-A1414	5	12	Tip - Red	004-XR11004VS	2
4	1/4" Sq Tee	003-TT14SQ	1	13	Nozzle Body	004-4723	2
5	1/4" St Elbow	003-SE14F	1	14	Nozzle Cap	004-4722	2
6	Oetiker Clamp	003-9008	4	15	Reach Rod-Outside	001-4405A	2
7	Nozzle Holder	001-4714J	2	16	Tank Mount Bracket	001-4404A	2
8	Hose	002-9016	3 ft	17	Reach Rod-Inside	001-4420	1
9	1/4" x 1/4" Fitting	003-A1414F	2	NP	477 Jiffy Clip	008-9014	2

* Tip color subject to change

Shield Only (Ref 1-14)	030-4714J-SO
Tank Kit (Ref 15-17)	TMK-4486
Complete Assembly	030-4486C

4503C Installation Kit

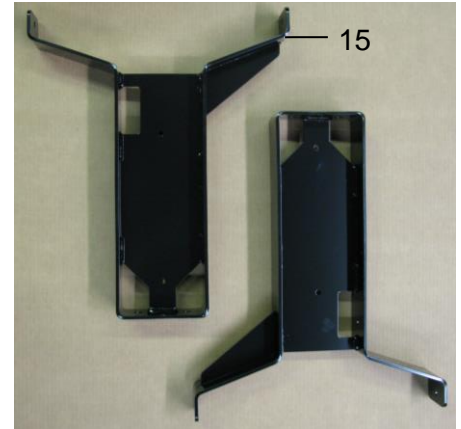
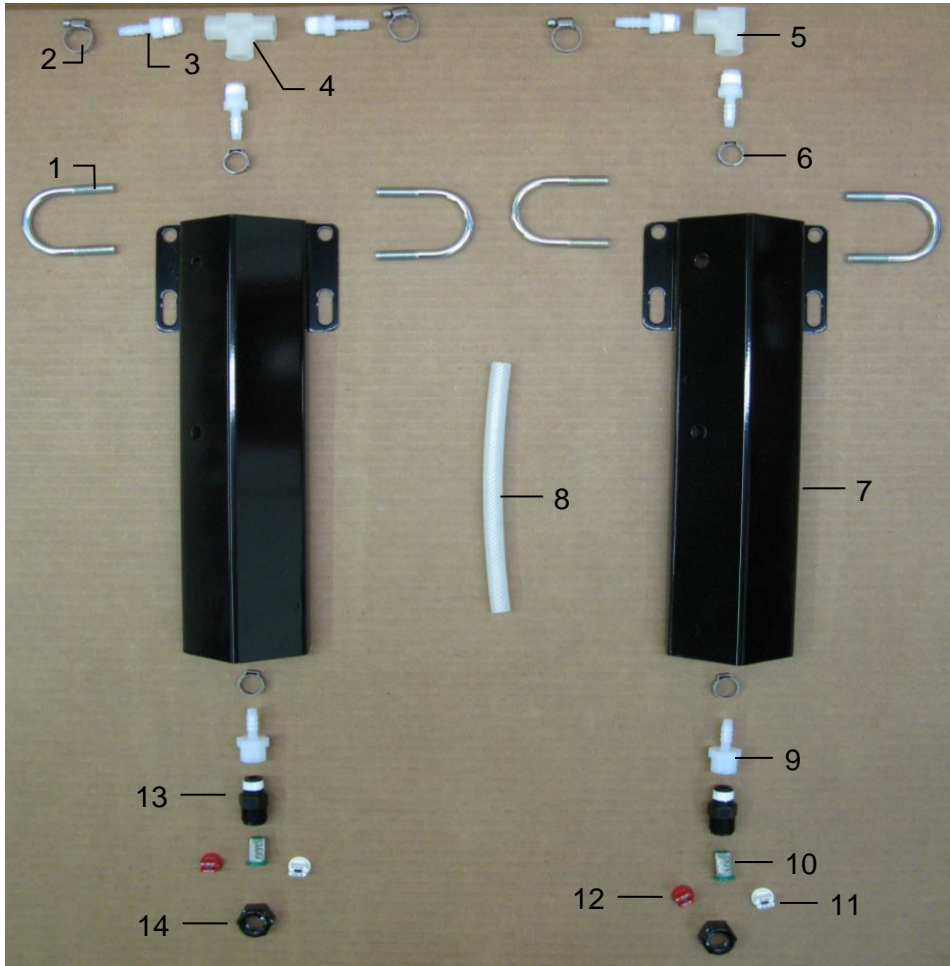


<u>Ref</u>	<u>Description</u>	<u>Part #</u>	<u>Qty</u>	<u>Ref</u>	<u>Description</u>	<u>Part #</u>	<u>Qty</u>
1	U bolt	001-4714UBS	4	10	Tip Strainer	004-1203-100	2
2	Hose clamp	003-9002	3	11	Tip – White	004-XR11008VS	2
3	1/4" x 1/4" Fitting	003-A1414	5	12	Tip - Red	004-Xr11004VS	2
4	1/4" Sq Tee	003-TT14SQ	1	13	Nozzle Body	004-4723	2
5	Hose	002-9016	4ft	14	Nozzle Cap	004-4722	2
6	1/4" St Elbow	003-SE14F	1	15	Tank Leg – Long	001-4703B	2
7	Oetiker Clamp	003-9008	4	16	Left Mounting Bracket	001-4703EL	1
8	Nozzle Holder	001-4714JS	2	17	Right Mounting Bracket	001-4420	1
9	1/4" x 1/4" Fitting	003-A1414F	2	18	Mount Extension	001-4703EXT	1

* Tip color subject to change

Shield Only (Ref 1-15)	030-4714JS-SO
Tank Mount Kit (Ref 16-19)	TMK-4503
Complete Assembly	030-4503C

4504C Installation Kit

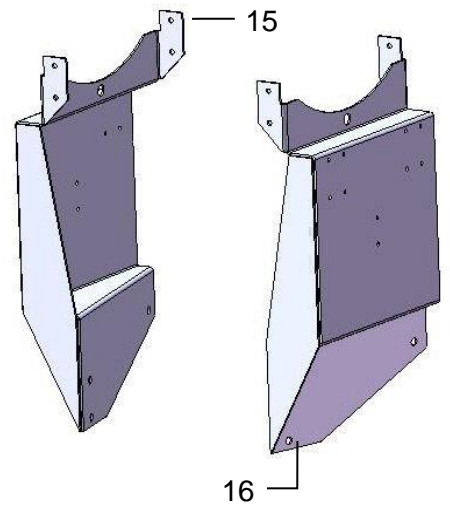
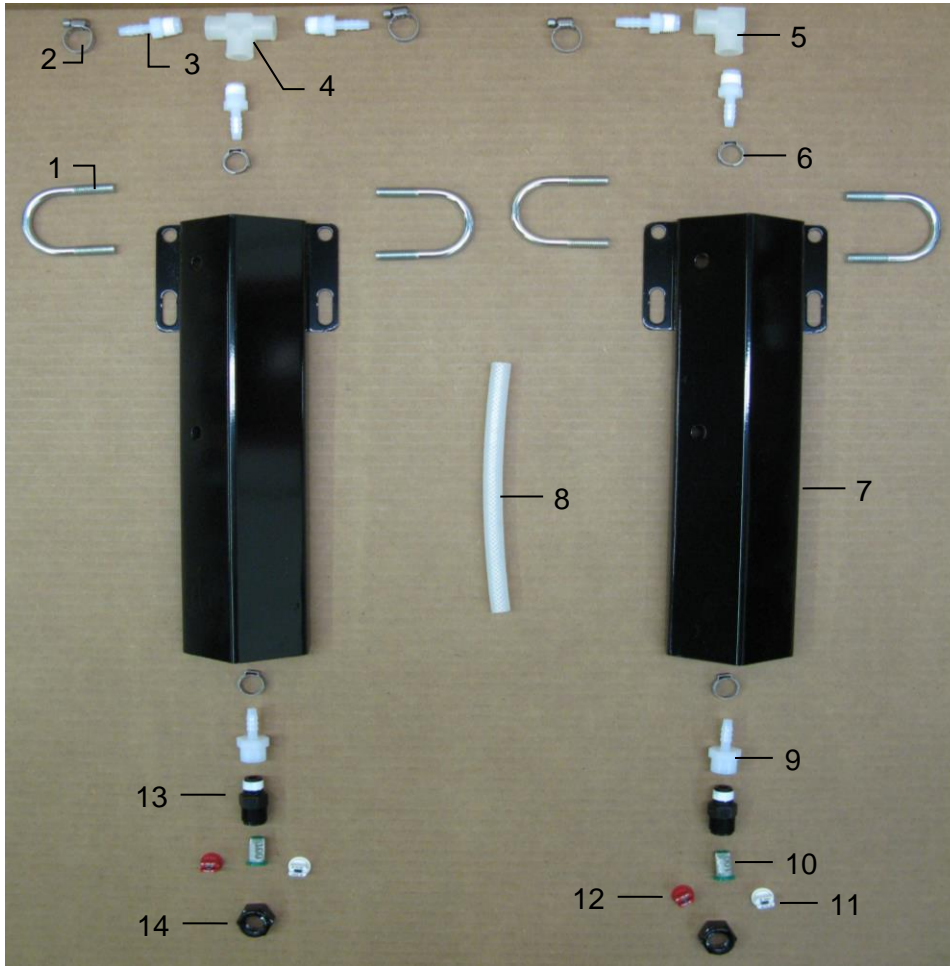


<u>Ref</u>	<u>Description</u>	<u>Part #</u>	<u>Qty</u>	<u>Ref</u>	<u>Description</u>	<u>Part #</u>	<u>Qty</u>
1	U bolt	001-4714UBS	4	10	Tip Strainer	004-1203-100	2
2	Hose clamp	003-9002	2	11	Tip – White	004-XR11008VS	2
3	1/4" x 1/4" Fitting	003-A1414	5	12	Tip – Red	004-XR11004VS	2
4	1/4" Sq Tee	003-TT14SQ	1	13	Nozzle Body	004-4722	2
5	1/4" St Elbow	003-SE14F	1	14	Nozzle Cap	004-4723	2
6	Oetiker Clamp	003-9008	4	15	Tank Leg – Long	001-4703B	2
7	Nozzle Holder	001-4714J	2	16	Left Mounting Bracket	001-4703DL	1
8	Hose	002-9016	3ft	17	Right Mounting Bracket	001-4703DR	1
9	1/4" x 1/4" Fitting	003-A1414F	2	NP	477 Jiffy Clip	008-9014	2

* Tip color subject to change

Shield Only (Ref 1-14)	030-4714J-SO
Tank Mount Kit (Ref 15-17)	TMK-4504
Complete Assembly	030-4504C

4505C Installation Kit

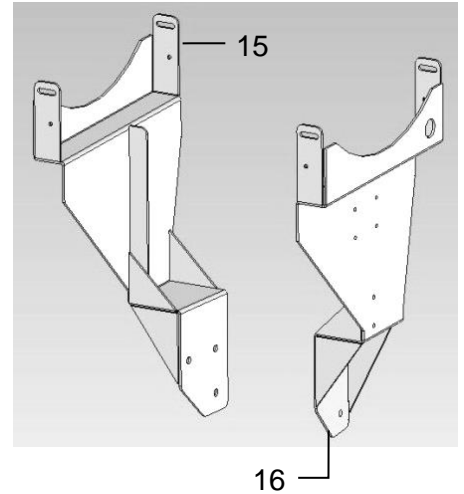
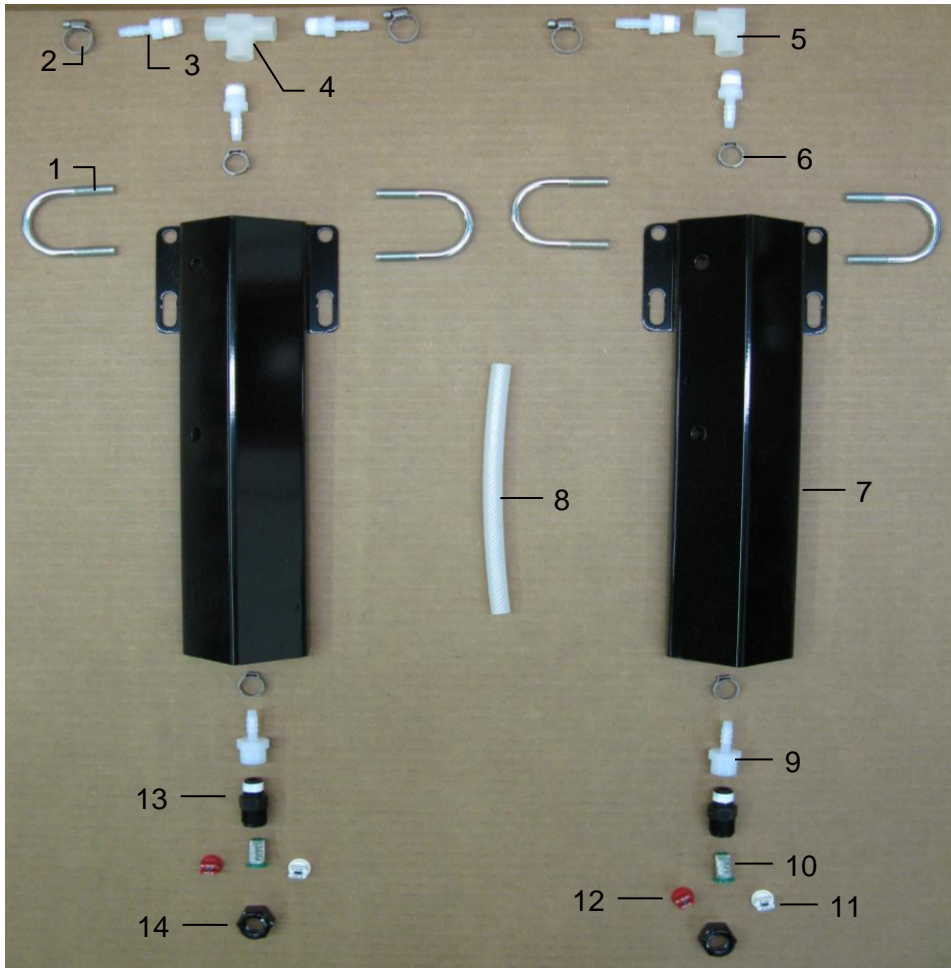


<u>Ref</u>	<u>Description</u>	<u>Part #</u>	<u>Qty</u>	<u>Ref</u>	<u>Description</u>	<u>Part #</u>	<u>Qty</u>
1	U bolt	001-4714UBS	4	10	Tip Strainer	004-1203-100	2
2	Hose clamp	003-9002	2	11	Tip - White	004-XR11008VS	2
3	1/4" x 1/4" Fitting	003-A1414	5	12	Tip - Red	004-XR11004VS	2
4	1/4" Sq Tee	003-TT14SQ	1	13	Nozzle Body	004-4722	2
5	1/4" St Elbow	003-SE14F	1	14	Nozzle Cap	004-4723	2
6	Oetiker Clamp	003-9008	4	15	Tank Leg - Long	001-4703FL	1
7	Nozzle Holder	001-4714J	2	16	Left Mounting Bracket	001-4703FR	1
8	Hose	002-9016	3ft	NP	477 Jiffy Clip	008-9014	2
9	1/4" x 1/4" Fitting	003-A1414F	2				

* Tip color subject to change

Shield Only (Ref 1-14)	030-4714J-SO
Tank Mount Kit (Ref 15-16)	TMK-4505
Complete Assembly	030-4505C

4508C Installation Kit

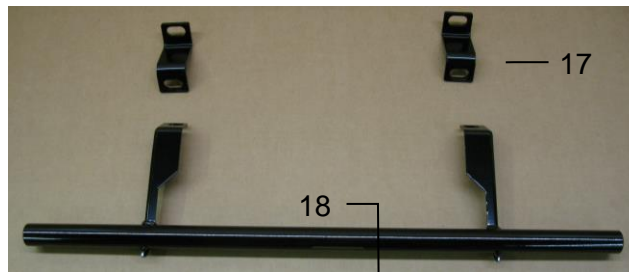
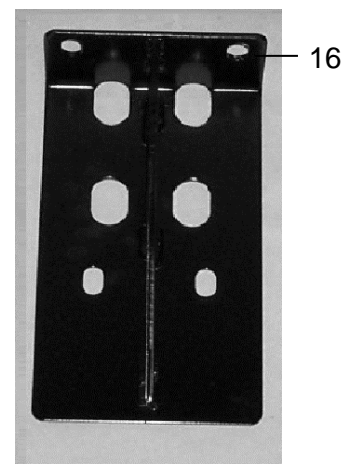
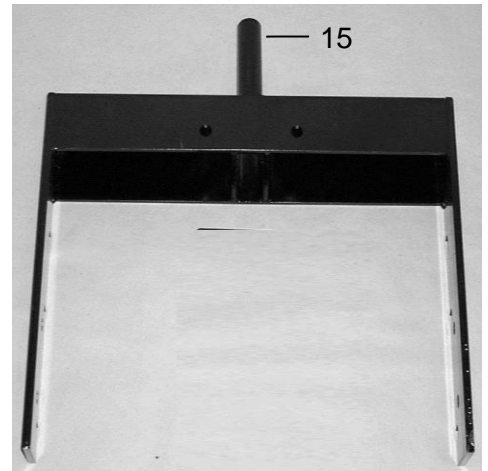
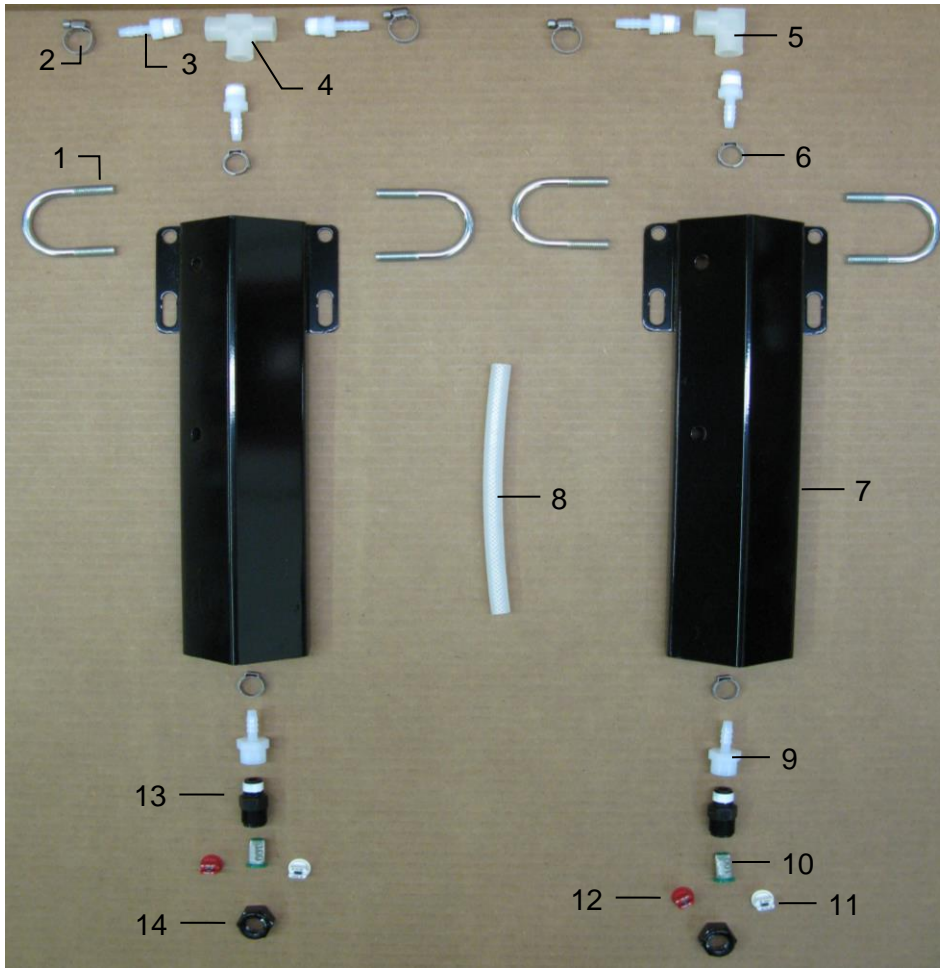


<u>Ref</u>	<u>Description</u>	<u>Part #</u>	<u>Qty</u>	<u>Ref</u>	<u>Description</u>	<u>Part #</u>	<u>Qty</u>
1	U bolt	001-4714UBS	4	10	Tip Strainer	004-1203-100	2
2	Hose clamp	003-9002	2	11	Tip - White	004-XR11008VS	2
3	1/4" x 1/4" Fitting	003-A1414	5	12	Tip - Red	004-XR11004VS	2
4	1/4" Sq Tee	003-TT14SQ	1	13	Nozzle Body	004-4722	2
5	1/4" St Elbow	003-SE14F	1	14	Nozzle Cap	004-4723	2
6	Oetiker Clamp	003-9008	4	15	Tank Leg - Long	001-4703L	1
7	Nozzle Holder	001-4714J	2	16	Left Mounting Bracket	001-4703K	1
8	Hose	002-9016	3ft	NP	477 Jiffy Clip	008-9014	2
9	1/4" x 1/4" Fitting	003-A1414F	2				

* Tip color subject to change

Shield Only (Ref 1-14)	030-4714J-SO
Tank Mount Kit (Ref 15-16)	TMK-4508
Complete Assembly	030-4508C

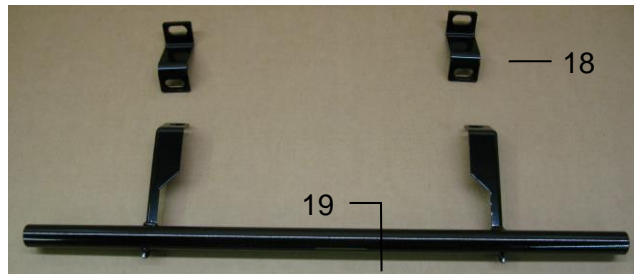
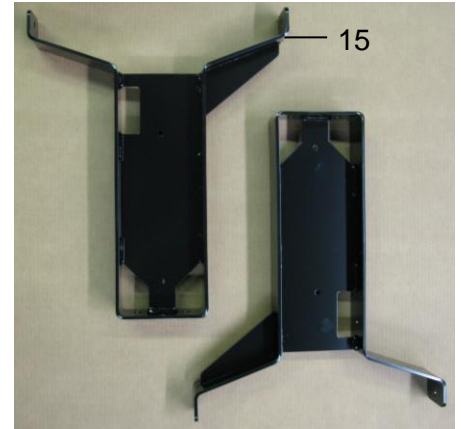
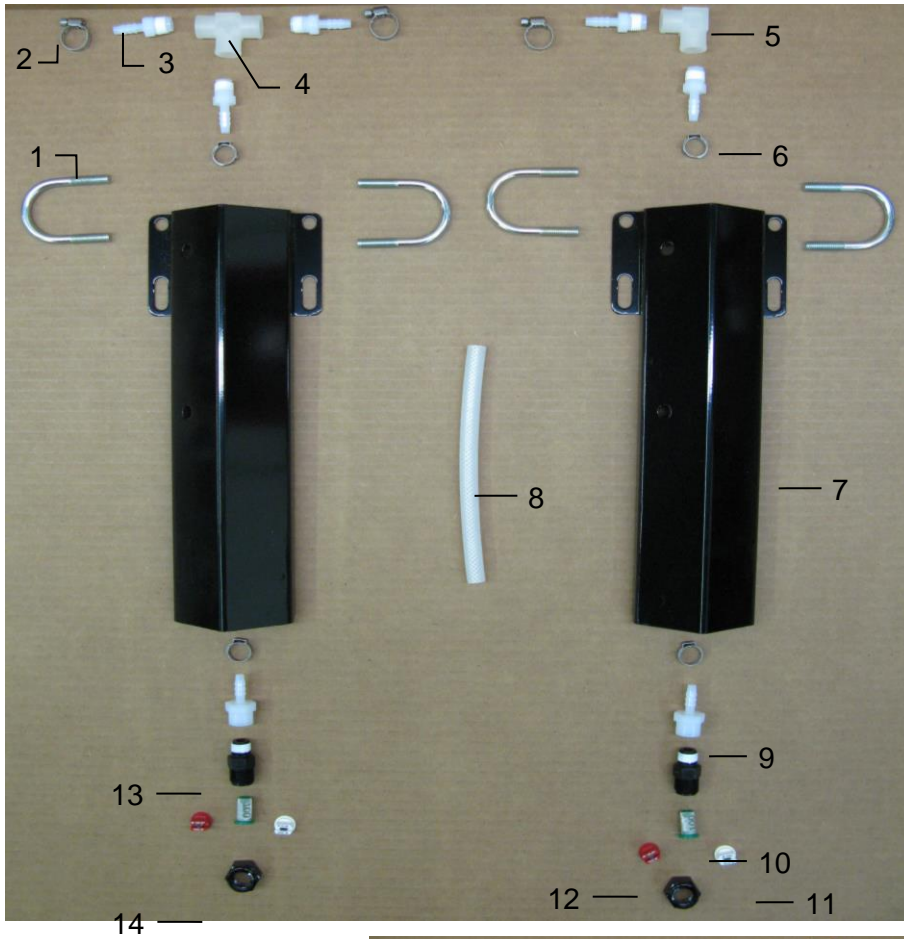
4516C Installation Kit



<u>Ref</u>	<u>Description</u>	<u>Part #</u>	<u>Qty</u>	<u>Ref</u>	<u>Description</u>	<u>Part #</u>	<u>Qty</u>
1	U bolt	001-4714UBS	4	13	Nozzle Body	004-4722	2
2	Hose clamp	003-9002	2	14	Nozzle Cap	004-4723	2
3	1/4" x 1/4" Fitting	003-A1414	5	15	Tank Mounting Bracket	001-4411	1
4	1/4" Sq Tee	003-TT14SQ	1	16	Tank Brace	001-4411A	1
5	1/4" St Elbow	003-SE14F	1	17	Space Bracket	001-4703NS	2
6	Oetiker Clamp	003-9008	4	18	Nozzle Tube	001-4703R	1
7	Nozzle Holder	001-4714J	2	NP	447 Jiffy Clip	008-9014	2
8	Hose	002-9016	3ft		Shield Only (1-14)	030-4714J-SO	
9	1/4" x 1/4" Fitting	003-A1414F	2		Tank Mount Kit (15-16)	TMK-4483	
10	Tip Strainer	004-1203-100	2		Shield Mount Kit (17-18)	SMK-4516	
11	Tip - White	004-XR11008VS	2		Complete Assembly	030-4516C	
12	Tip - Red	004-XR11004VS	2				

* Tip color subject to change

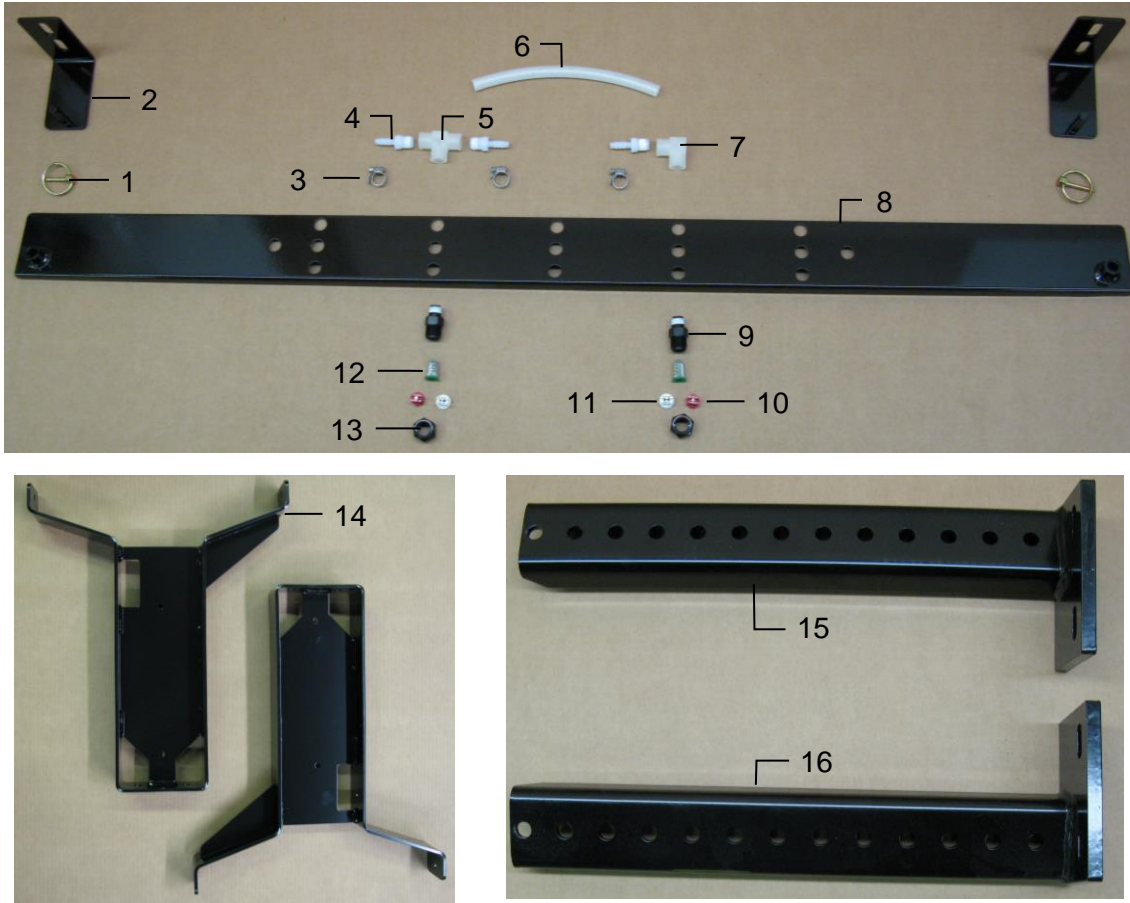
4517C Installation Kit



<u>Ref</u>	<u>Description</u>	<u>Part #</u>	<u>Qty</u>	<u>Ref</u>	<u>Description</u>	<u>Part #</u>	<u>Qty</u>
1	U bolt	001-4714UBS	4	13	Nozzle Body	004-4722	2
2	Hose clamp	003-9002	2	14	Nozzle Cap	004-4723	2
3	1/4" x 1/4" Fitting	003-A1414	5	15	Tank Leg	001-4703B	2
4	1/4" Sq Tee	003-TT14SQ	1	16	Left Mounting Bracket	001-4703DL	1
5	1/4" St Elbow	003-SE14F	1	17	Right Mounting Bracket	001-4703DR	1
6	Oetiker Clamp	003-9008	4	18	Space Bracket	001-4703NS	2
7	Nozzle Holder	001-4714J	2	19	Nozzle Tube	001-4703R	1
8	Hose	002-9016	3ft	NP	477 Jiffy Clip	008-9014	2
9	1/4" x 1/4" Fitting	003-A1414F	2		Shield Only (1-14)	030-4714J-SO	
10	Tip Strainer	004-1203-100	2		Tank Mount Kit (15-17)	SMK-4516	
11	Tip - White	004-XR11008VS	2		Shield Mount Kit (18-19)	TMK-4483	
12	Tip - Red	004-XR11004VS	2		Complete Assembly	030-4516C	

* Tip color subject to change

4523C Installation Kit

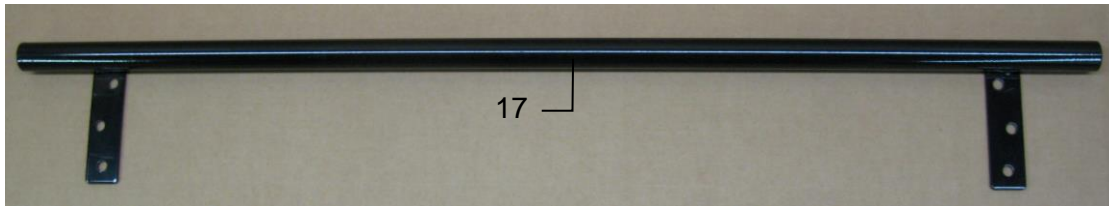
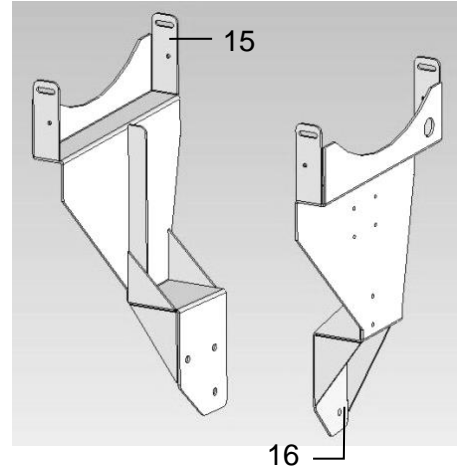
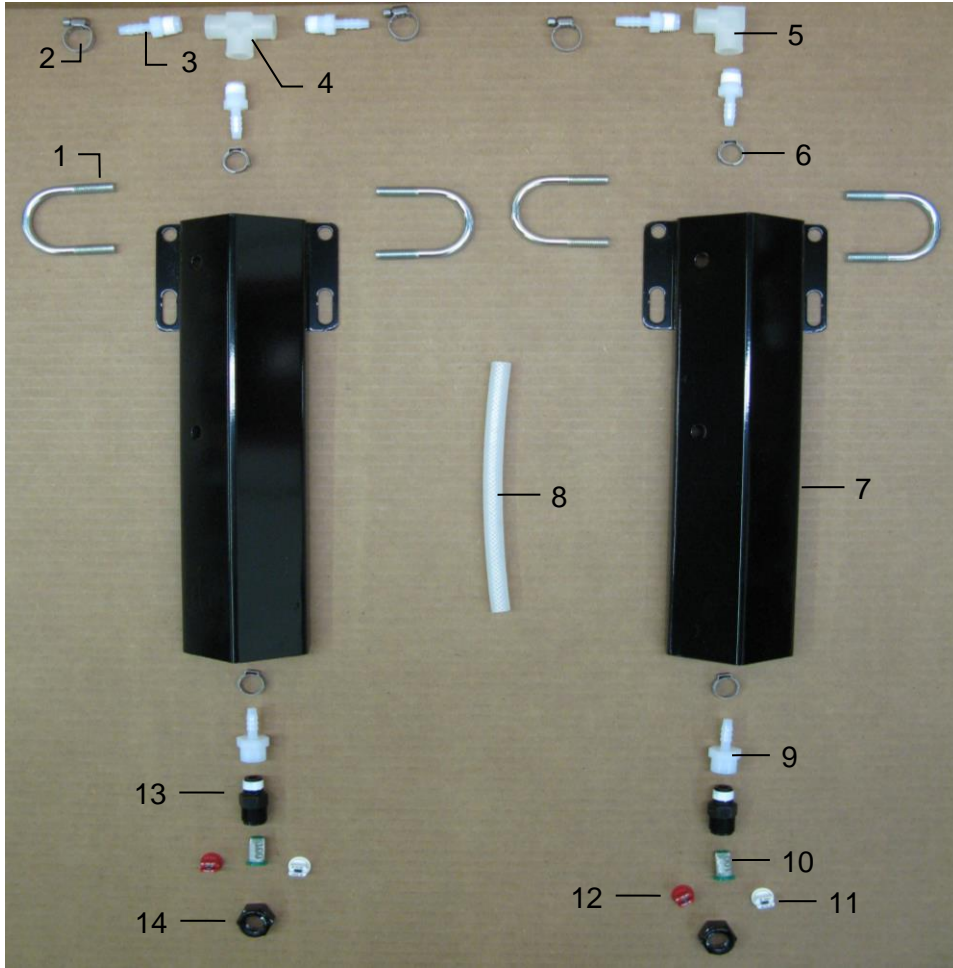


<u>Ref</u>	<u>Description</u>	<u>Part #</u>	<u>Qty</u>	<u>Ref</u>	<u>Description</u>	<u>Part #</u>	<u>Qty</u>
1	3/16" Lynch Pin	008-4576	2	9	Nozzle Body	004-4722	2
2	Shield Holder	001-4704H	2	10	Tip – Red	004-XR11004VS	2
3	Mini Hose Clamp	003-9002	3	11	Tip – White	004-XR11008VS	2
4	1/4"FPT x 1/4"HB	003-A1414	3	12	Tip Strainer	004-1203-100	2
5	1/4" Tee Sq	003-TT14SQ	1	13	Nozzle Cap	004-4723	2
6	1/4" Hose	002-9016	2ft	14	Tank Leg – Long	001-4703B	2
7	1/4" Female Elbow	003-SE14F	1	15	Left RB Support	001-4704JL	1
8	Spray Shield	001-4704G	1	16	Right RB Support	001-4704JR	1

* Tip color subject to change

Shield Only (Ref 1-13)	030-4523C-SO
Tank Mount Kit (Ref 14-16)	TMK-4523
Complete Assembly	030-4523C

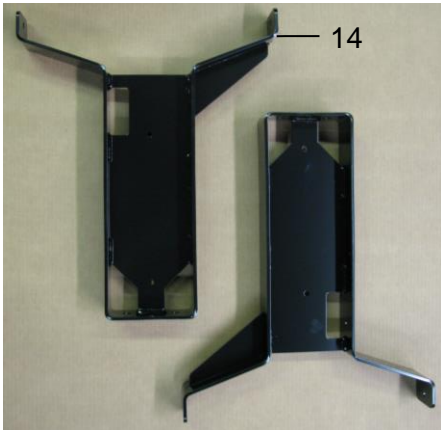
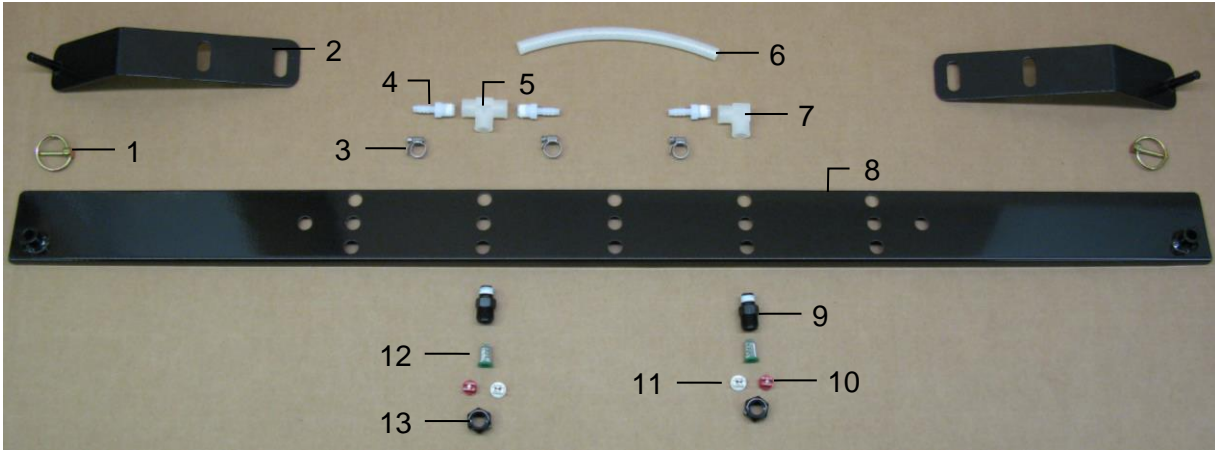
4524C Installation Kit



<u>Ref</u>	<u>Description</u>	<u>Part #</u>	<u>Qty</u>	<u>Ref</u>	<u>Description</u>	<u>Part #</u>	<u>Qty</u>
1	U bolt	001-4714UBS	4	11	Tip – White	004-XR11008VS	2
2	Hose clamp	003-9002	2	12	Tip – Red	004-XR11004VS	2
3	1/4" x 1/4" Fitting	003-A1414	5	13	Nozzle Body	004-4722	2
4	1/4" Sq Tee	003-TT14SQ	1	14	Nozzle Cap	004-4723	2
5	1/4" St Elbow	003-SE14F	1	15	Left Tank Leg	001-4703L	1
6	Oetiker Clamp	003-9008	4	16	Right Tank Leg	001-4703K	1
7	Nozzle Holder	001-4714J	2	17	Nozzle Tube	001-4703T	1
8	Hose	002-9016	3ft				
9	1/4" x 1/4" Fitting	003-A1414F	2		Shield Only (1-14)	030-4714J-SO	
10	Tip Strainer	004-1203-100	2		Tank Mount Kit (15-16)	TMK-4508	
					Shield Mounting Kit (17)	SMK-4524	
					Complete Assembly	030-4524C	

* Tip color subject to change

4526C Installation Kit

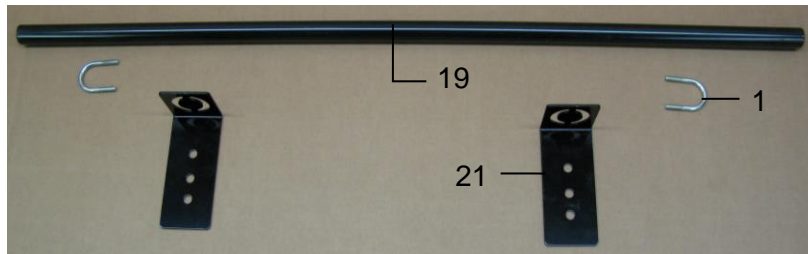
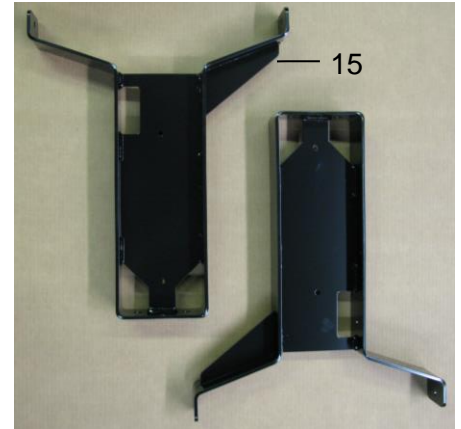
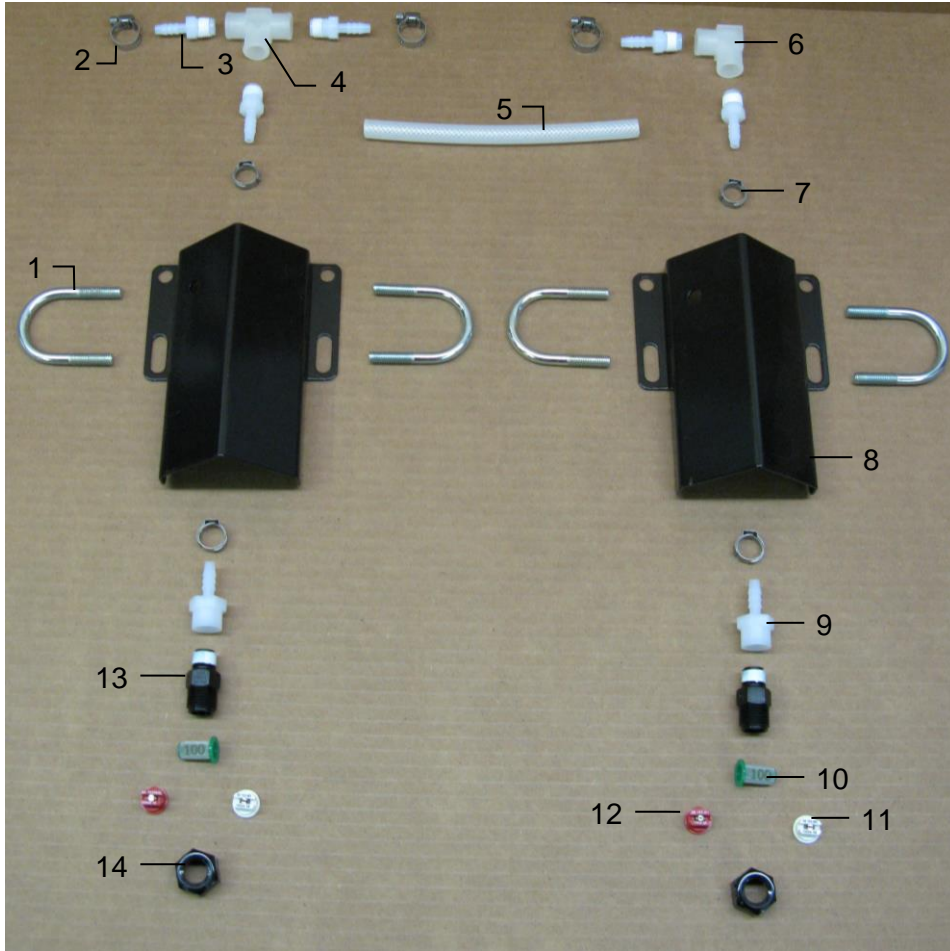


<u>Ref</u>	<u>Description</u>	<u>Part #</u>	<u>Qty</u>	<u>Ref</u>	<u>Description</u>	<u>Part #</u>	<u>Qty</u>
1	3/16" Lynch Pin	008-4576	2	10	Tip – Red	004-XR11004VS	2
2	Shield Holder	001-4704MC	2	11	Tip – White	004-XR11008VS	2
3	Mini Hose Clamp	003-9002	3	12	Tip Strainer	004-1203-100	2
4	1/4"FPT x 1/4"HB	003-A1414	3	13	Nozzle Cap	004-4723	2
5	1/4" Sq Tee	003-TT14SQ	1	14	55 Gal Leg	001-4703B	2
6	1/4" Hose	002-9016	2ft	15	Side Support	001-4704MA	2
7	1/4" Female Elbow	003-SE14F	1	16	Brace Support	001-4704MD	2
8	Spray Shield	001-4704G	1	17	Top Support	001-4704ME	1
9	Nozzle Body	004-4722	2				

* Tip color subject to change

Shield Only (Ref 1-11)	030-4526C-SO
Tank Mount Kit (Ref 12-14)	TMK-4526
Complete Assembly	030-4526C

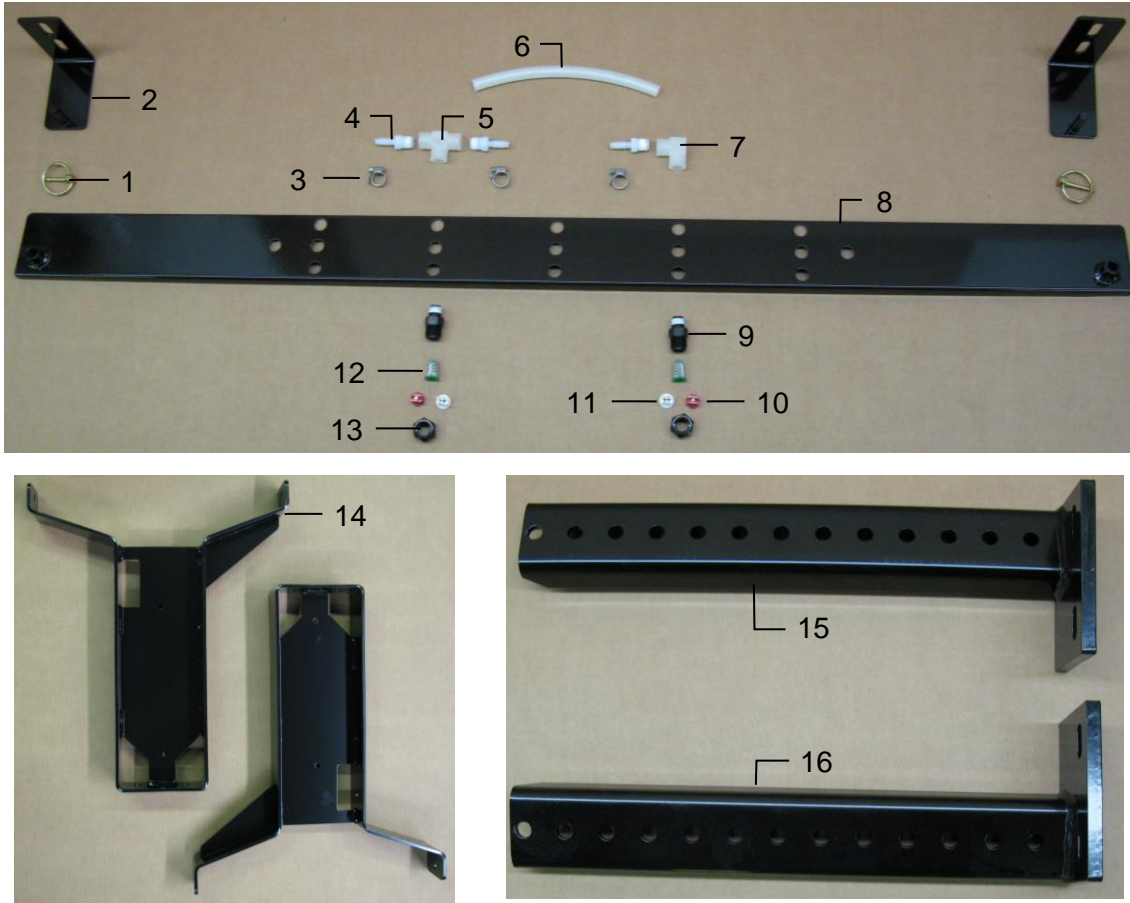
4538C Installation Kit



<u>Ref</u>	<u>Description</u>	<u>Part #</u>	<u>Qty</u>	<u>Ref</u>	<u>Description</u>	<u>Part #</u>	<u>Qty</u>
1	U bolt	001-4714UBS	4	13	Nozzle Body	004-4723	2
2	Hose clamp	003-9002	3	14	Nozzle Cap	004-4722	2
3	1/4" x 1/4" Fitting	003-A1414	5	15	Tank Leg – Long	001-4703B	2
4	1/4" Sq Tee	003-TT14SQ	1	16	Side Support	001-4704MA	2
5	Hose	002-9016	4ft	17	Brace Support	001-4704MDJ	2
6	1/4" St Elbow	003-SE14F	1	18	Top Support	001-4704MEJ	1
7	Oetiker Clamp	003-9008	4	19	Univ Nozzle Tube Holder	001-4703TH	2
8	Nozzle Holder	001-4714JS	2	20	Univ Nozzle Mount	001-4703TP	1
9	1/4" x 1/4" Fitting	003-A1414F	2				
10	Tip Strainer	004-1203-100	2				
11	Tip – White	004-XR11008VS	2				
12	Tip - Red	004-XR11004VS	2				
					Shield Only (Ref 1-11)	030-4714JS-SO	
					Shield Mounting Kit (25-26)	SMK-UNIV-PIPE	
					Tank Mount Kit (Ref 12-14)	TMK-4538	
					Complete Assembly	030-4538C	

* Tip color subject to change

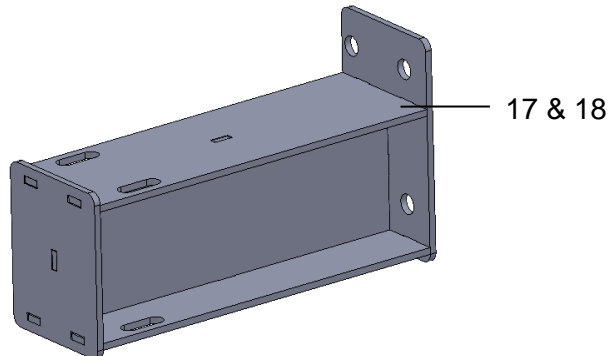
4543C Installation Kit



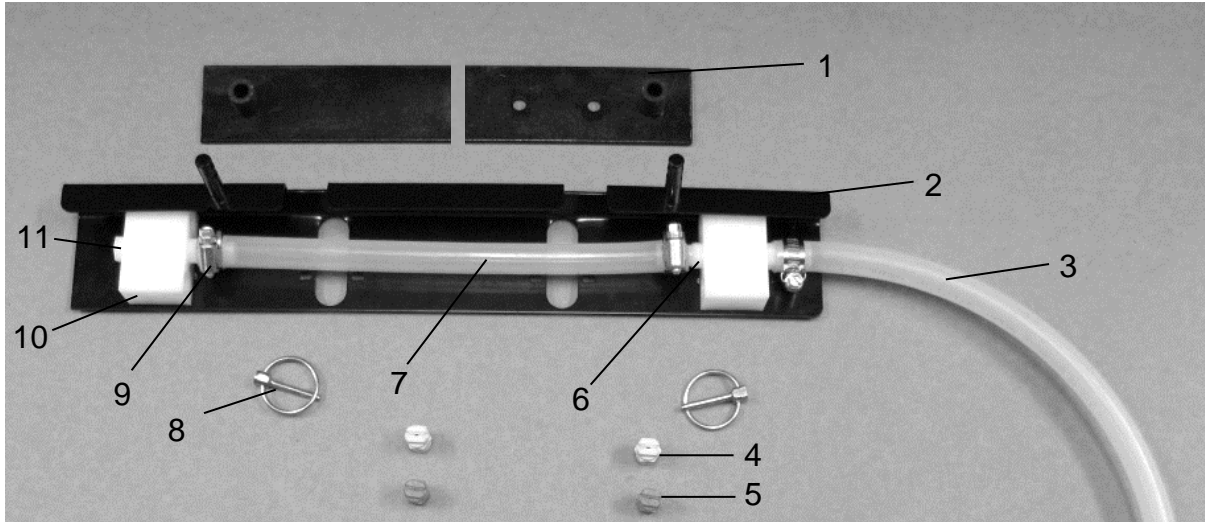
<u>Ref</u>	<u>Description</u>	<u>Part #</u>	<u>Qty</u>	<u>Ref</u>	<u>Description</u>	<u>Part #</u>	<u>Qty</u>
1	3/16" Lynch Pin	008-4576	2	10	Tip – Red	004-XR11004VS	2
2	Shield Holder	001-4704H	2	11	Tip – White	004-XR11008VS	2
3	Mini Hose Clamp	003-9002	3	12	Tip Strainer	004-1203-100	2
4	1/4"FPT x 1/4"HB	003-A1414	3	13	Nozzle Cap	004-4723	2
5	1/4" Tee Sq	003-TT14SQ	1	14	Tank Leg – Long	001-4703B	2
6	1/4" Hose	002-9016	2ft	15	Left RB Support	001-4704JL	1
7	1/4" Female Elbow	003-SE14F	1	16	Right RB Support	001-4704JR	1
8	Spray Shield	001-4704G	1	17	604 Pro RT Bkt	001-6055VER	1
9	Nozzle Body	004-4722	2	18	604 Pro LT Bkt	001-6055VEL	1

* Tip color subject to change

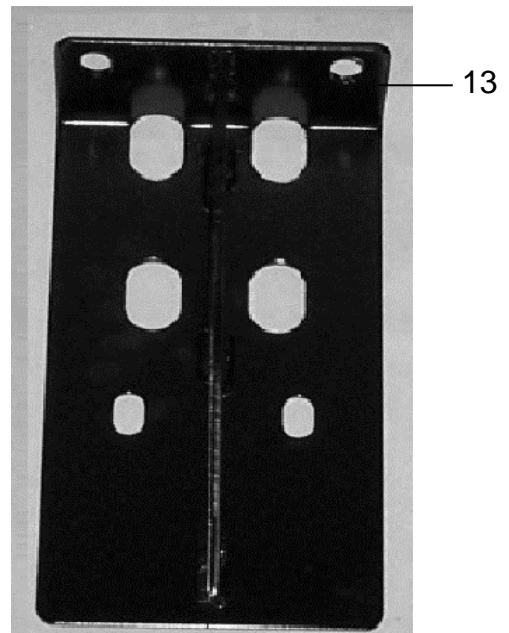
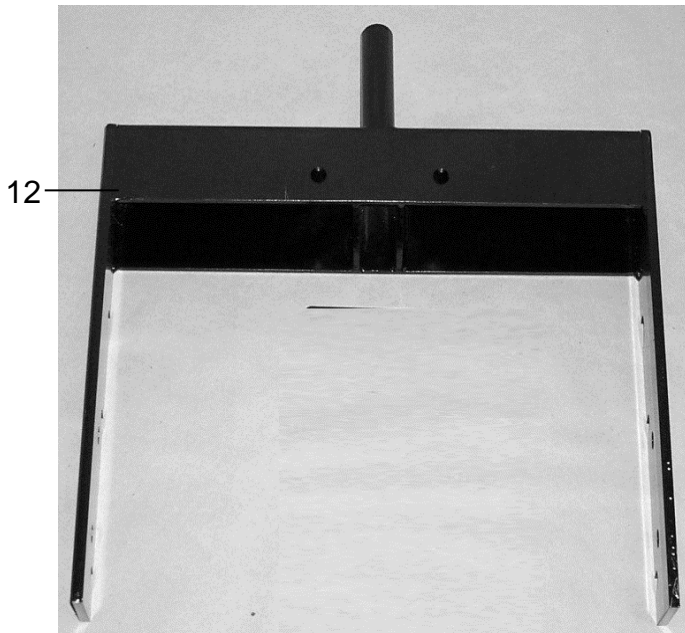
Shield Only (Ref 1-13) 030-4523C-SO
 Tank Mount Kit (Ref 14-16) TMK-4523
 Complete Assembly 030-4523C



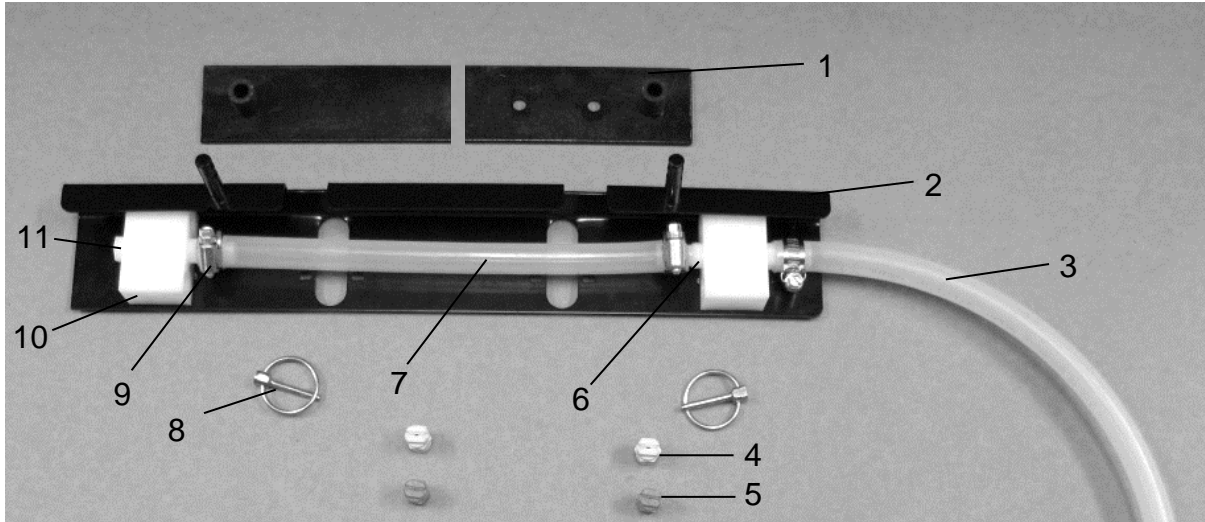
4546C Installation Kit



<u>Ref</u>	<u>Description</u>	<u>Part #</u>	<u>Qty</u>	<u>Ref</u>	<u>Description</u>	<u>Part #</u>	<u>Qty</u>
1	Holder	001-4435NCX2	2	10	Manifold Block	001-4435NSB	2
2	Shield	001-4435NSX	1	11	Fitting	003-F14	1
3	Braided Hose-1/4"	002-9016	3 ft	12	Tank Mounting Bracket	001-4411	1
4	Tip-	004-T8004-PT	2	13	Tank Brace	001-4411A	1
5	Tip-	004-T8008-PT	2	NP	Clamping UBolt 2"	001-4714UBX	2
6	Fitting	003-A1414	3		Shield Only (1-11)	030-4546-SO	
7	Hose 1/4"	002-9006	1 ft		Tank Mount Kit (12-13)	TMK-4483	
8	Lynch Pin	008-4576	2		Complete Assembly	030-4546C	
9	Hose Clamp	003-9002	3		* Tip color subject to change		

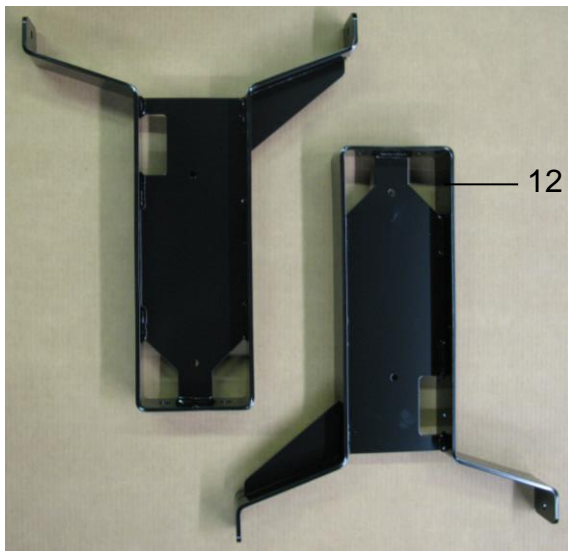


4547C Installation Kit



<u>Ref</u>	<u>Description</u>	<u>Part #</u>	<u>Qty</u>	<u>Ref</u>	<u>Description</u>	<u>Part #</u>	<u>Qty</u>
1	Holder	001-4435NCX2	2	10	Manifold Block	001-4435NSB	2
2	Shield	001-4435NSX	1	11	Fitting	003-F14	1
3	Braided Hose-1/4"	002-9016	3 ft	12	Tank Leg – Long	001-4703B	2
4	Tip-	004-T8004-PT	2	13	Left Mounting Bracket	001-4703DL	1
5	Tip-	004-T8008-PT	2	14	Right Mounting Bracket	001-4703DR	1
6	Fitting	003-A1414	3	NP	Clamping UBolt 2"	001-4714UBX	2
7	Hose 1/4"	002-9006	1 ft		Shield Only (1-11)	030-4546-SO	
8	Lynch Pin	008-4576	2		Tank Mount Kit (12-14)	TMK-4504	
9	Hose Clamp	003-9002	3		Complete Assembly	030-4547C	

* Tip color subject to change



Notes

Harvest Tec LLC. Warranty and Liability Agreement

Harvest Tec, LLC. will repair or replace components that are found to be defective within 12 months from the date of manufacture. Under no circumstances does this warranty cover any components which in the opinion of Harvest Tec, Inc. have been subjected to negligent use, misuse, alteration, accident, or if repairs have been made with parts other than those manufactured and obtainable from Harvest Tec, Inc.

Our obligation under this warranty is limited to repairing or replacing free of charge to the original purchaser any part that in our judgment shows evidence of defective or improper workmanship, provided the part is returned to Harvest Tec, Inc. within 30 days of the failure. If it is determined that a non-Harvest Tec branded hay preservative has been used inside the Harvest Tec applicator system where the failure occurred, then Harvest Tec reserves the right to deny the warranty request at their discretion. Parts must be returned through the selling dealer and distributor, transportation charges prepaid.

This warranty shall not be interpreted to render Harvest Tec, Inc. liable for injury or damages of any kind, direct, consequential, or contingent, to persons or property. Furthermore, this warranty does not extend to loss of crop, losses caused by delays or any expense prospective profits or for any other reason. Harvest Tec, Inc. shall not be liable for any recovery greater in amount than the cost or repair of defects in workmanship.

There are no warranties, either expressed or implied, of merchantability or fitness for particular purpose intended or fitness for any other reason.

This warranty cannot guarantee that existing conditions beyond the control of Harvest Tec, Inc. will not affect our ability to obtain materials or manufacture necessary replacement parts.

Harvest Tec, Inc. reserves the right to make design changes, improve design, or change specifications, at any time without any contingent obligation to purchasers of machines and parts previously sold.

Revised 4/17

HARVEST TEC, INC.
P.O. BOX 63
2821 HARVEY STREET
HUDSON, WI 54016 USA
PHONE: 715-386-9100
FAX: 715-381-1792
Email: info@harvesttec.com