

OWNER'S MANUAL

Model 500XHI High Output flow meter



P.O. Box 63 • 2821 Harvey Street • Hudson, WI 54016
800-635-7468 • www.harvesttec.com

Harvest Tec 500XHI Table of Contents

	<u>PAGE</u>
Introduction	3
Tools Needed	3
Installation of Hardware	4-8
1. Installation of Tips	4-7
Large Square Baler	4
Round Baler	5-7
<i>Nozzle Tubes</i>	5-6
<i>Spray Shield</i>	7
2. Installation of Flow Meter	8
Installation of 500 Series Software	9
Installation of 600 Series Software	10-11
First Time and Annual Startup	12-13
Parts Breakdown	13-14
Warranty	15

Introduction

The Harvest Tec Model 500XHI is a high output flow meter assembly designed to allow you to increase the rates of preservative applied through the system. The operating ranges of the flow meter are 120 to 900 pounds per hour (30 to 90 tons per hour). Please follow this manual for installation of the 500XHI on your Harvest Tec 500 series automatic system.

Tools Needed

- Standard wrench set
- Standard socket set
- Standard screw driver or 5/16" nut driver
- Tape measure
- Hose cutter
- Hammer
- 9/16 drill bit

Installation of Hardware

1. Installation of Tips

Large Square Baler

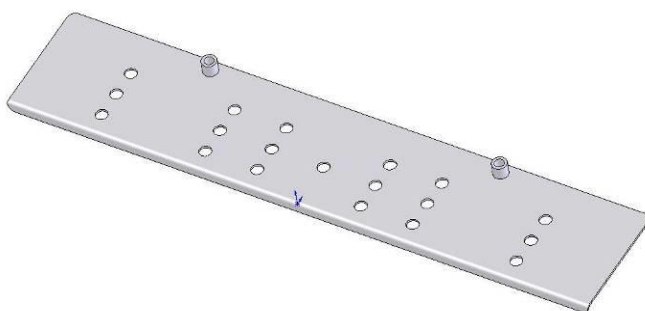
Locate the spray shield assembly at the front of your baler. The shield will currently have six tips. Three more tips will be added to the middle of the shield for the system to function correctly. Measure the distance between the tee and elbow fittings. Mark the hose and shield in the center between the tee and elbow and cut the hose. Drill two or three (depends on the shield) 9/16 holes through the shield and remove any sharp metal.

Install the three additional tees and nozzle bodies on the shield. Do not over tighten the nozzle bodies or damage may occur to the tees. Cut the hose to length and attach to both sides of the tee securing with the enclosed hose clamps.

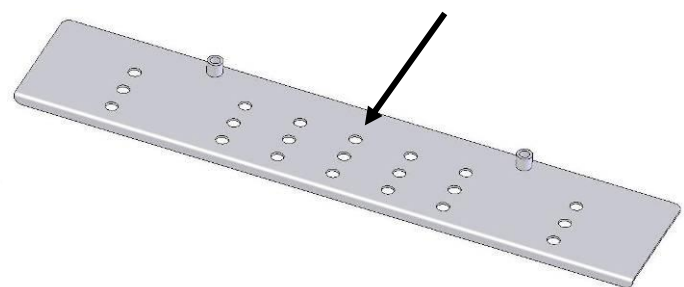
Starting with tips in the line of pump one (pump closest to the filter bowl) one additional orange tip (004-TT11001VP) enclosed in this kit will be placed in the center nozzle. Insert the tip strainer (004-1203-100) followed by the tip and secure with the nozzle cap (004-4723). All tips attached to pump one should now have orange tips.

Remove the two green tips installed in the line of pump two. Install three yellow (004-TT11002VP) tips, strainers and nozzle caps.

For pump three install one additional blue tip (004-TT11003VP) into the center nozzle. Insert the tip strainer followed by the tip and secure with the nozzle body. All tips attached to pump three should now have blue tips.



Shield without additional holes



Shield with additional holes

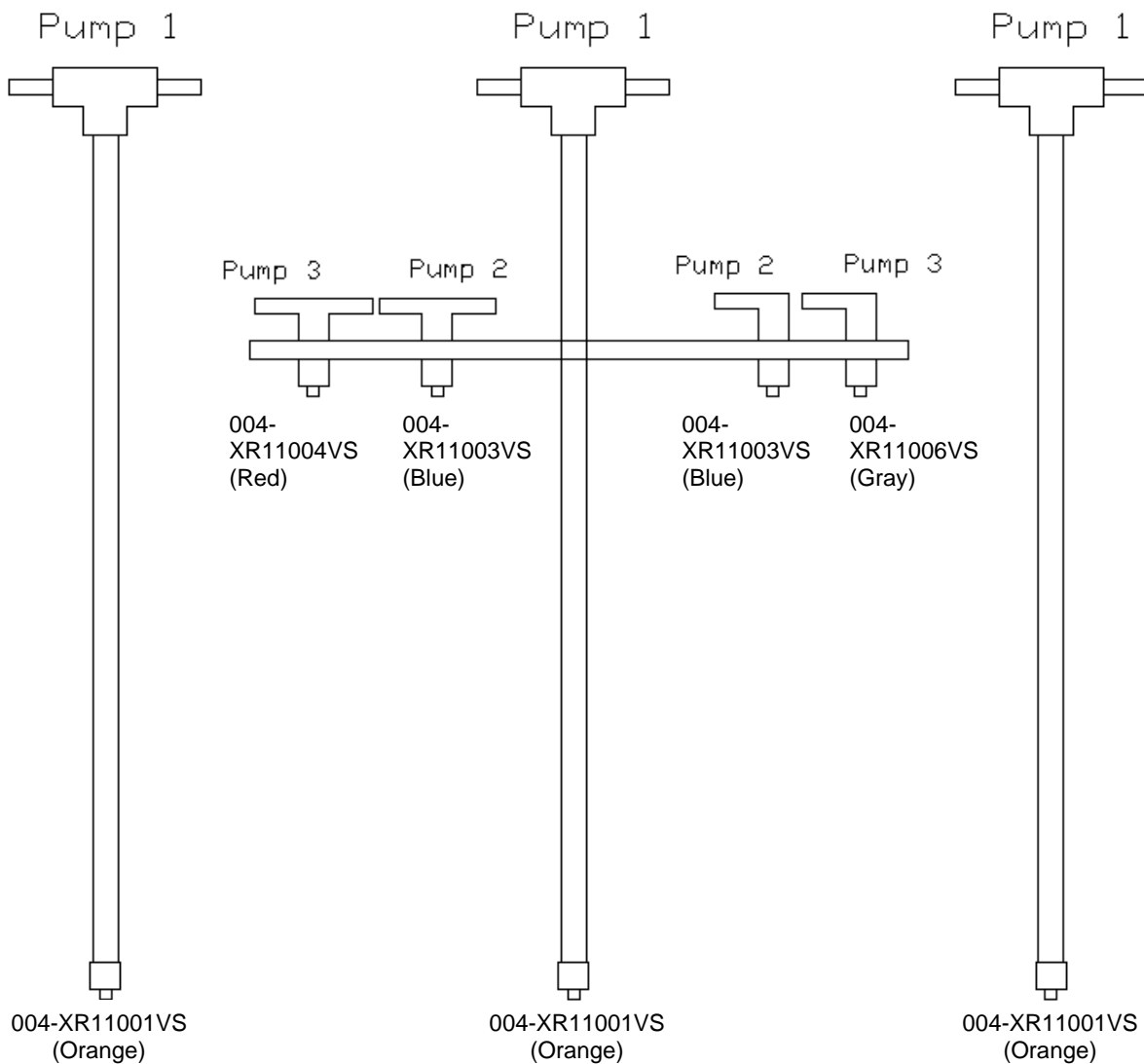
Round Baler

Locate the spray shield or spray nozzle tube assembly at the front of your baler. For proper installation of tips follow the instructions below that apply the assembly installed on your baler.

Nozzle Tubes:

Locate and mark where the center nozzle tube is currently installed. Uninstall it from its current location and remove the nozzles and plastic elbow fittings from the “T” of the nozzle tube. *Be careful not to damage these, they will be reused.* Locate nozzle holder extension (001-4714EXT) and hardware supplied in the kit. The nozzle holder extension will be bolted to “T” of the center nozzle tube.

Once the nozzle holder extension has been fastened to the “T” of the center nozzle tube, install the two plastic tees (003-T1414T) and nozzle bodies (004-4721) to the “T” on the side closest to where the hoses from pumps 2 & 3 will connect. Once the plastic tees have been installed, install the elbows and nozzle bodies on the opposite side of the nozzle holder extension. Do not over tighten any nozzle bodies or damage may occur.



Nozzle Tubes continued:

For spray nozzle installation start by installing the three orange tips (004-XR11001VS) at the end of each nozzle tube as pictured on page 5. Insert the tip strainer (004-1203-100) followed by the tip and secure with the nozzle cap (004-4723). Be sure that pump one (pump closest to the filter bowl) is plumbed to each of these three tips.

Next, install the two blue tips (004-XR11003VS) on the two inside nozzle bodies that were installed on the nozzle holder extension. Insert the tip strainer (004-1203-100) followed by the tip and secure with the nozzle cap (004-4723). Cut the green braided hose (001-9016G) to length and attach the inside tee to the inside elbow on the nozzle holder extension securing the hose with hose clamps. Be sure that these are plumbed to pump two (middle pump on pump on pump plate).

For pump three tip installation, attach the red (004-XR11004VS) & gray (004-XR11006VS) tips to the outside nozzle bodies on the nozzle holder extension (it does not matter which side the red or gray tips are on). Insert the tip strainer (004-1203-100) followed by the tip and secure with the nozzle cap (004-4723). Cut the blue braided hose (001-9016B) to length and attach the outside tee to the outside elbow on the nozzle holder extension securing the hose with hose clamps. Again, be sure that these are plumbed to pump three (pump furthest from filter bowl).

Round Baler

Spray Shield:

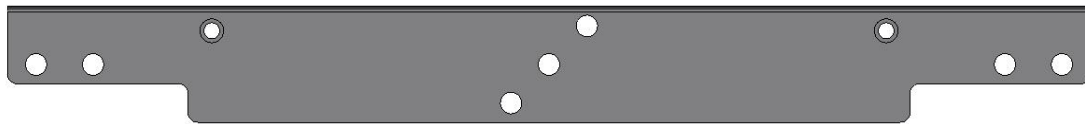
Locate the spray shield assembly at the front of your baler. The shield will currently have five tips. Two more tips will be added to the middle of the shield for the system to function correctly. Follow the dimensioned template below to mark and drill the additional holes on the standard spray shield. The holes will be drilled to 9/16". Remove any sharp metal around the whole once drilled.

Once the holes have been drilled install the two tees and nozzle bodies (included in the kit) in the two newly drilled holes on the side of the shield closest to where the hoses from the pumps will attach. Install the original elbows and nozzle bodies in the two new holes drilled furthest from where the hoses will attach to the tees. Cut the hose to length and attach to both sides of the tee securing with the enclosed hose clamps.

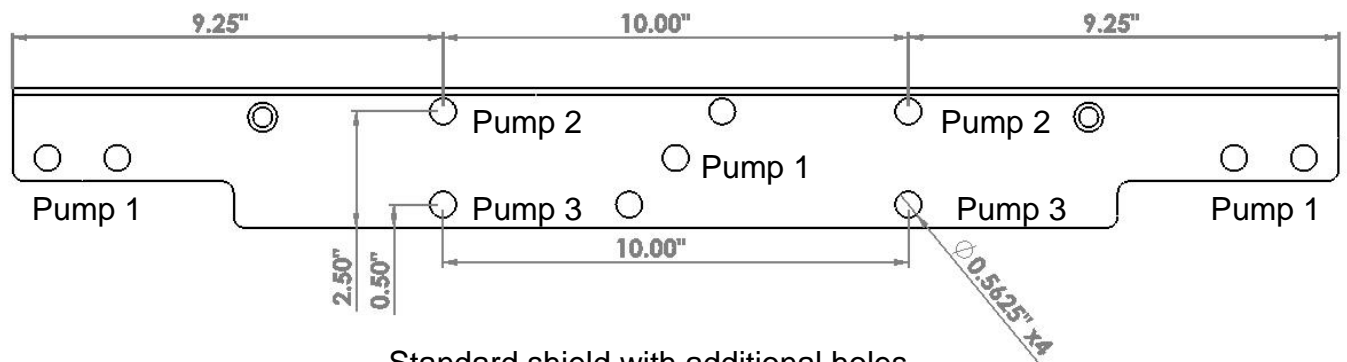
For spray nozzle installation start by installing the three orange tips (004-XR11001VS) on the three nozzle bodies in the center of the spray shield that are plumbed to pump one (pump closest to the filter bowl). Insert the tip strainer (004-1203-100) followed by the tip and secure with the nozzle cap (004-4723).

Next, install the two blue tips (004-XR11003VS) on the two nozzle bodies closest to the bend of the spray shield (see picture below). Insert the tip strainer (004-1203-100) followed by the tip and secure with the nozzle cap (004-4723). Cut the green braided hose (001-9016G) to length and attach the tee & elbow closest to the bend together, securing the hose with hose clamps. Be sure that these are plumbed to pump two (middle pump on pump plate).

For pump three tip installation attach the red (004-XR11004VS) & gray (004-XR11006VS) tips to the nozzle bodies furthest from the bend on the spray shield (it does not matter which side the red or gray tips are on). Insert the tip strainer (004-1203-100) followed by the tip and secure with the nozzle cap (004-4723). Cut the blue braided hose (001-9016B) to length and attach the tee & elbow furthest from the bend together, securing the hose with hose clamps. Again, be sure that these are plumbed to pump three (pump furthest from filter bowl).



Standard shield without additional holes



2. Installation of Flow Meter

Disconnect the main power harness at the hitch or at the battery.

Locate the pump controller (located next to the pumps) and remove all wire connections. Remove the two nuts that mount the pump controller to the pump plate and place the pump controller to the side.

To remove the old flow meter from the pump plate assembly, first turn off the ball valve on the side of the pump plate, second loosen the plastic nuts that hold the flow meter in position. Remove the flow meter taking care to not lose the o-rings inside the plastic nuts. Install the new flow meter with the arrow on the flow meter pointed towards the pumps, using the same plastic nuts and o-rings, make sure the wire coming out of the flow meter is pointing up and tighten the nuts.

Turn the ball valve back on and check for leaks. Reinstall the pump controller and reconnect all of the connections. If any connections look dirty, clean and apply dielectric grease.

Installation of 500 Series Software

1. First, start by downloading all of your current Job Records off of your PIP (refer to manual for downloading instructions). **Once any software update is done all Job Records are erased.** Also, write down all important Application/Bale Rate/Tagger settings that you may want to reuse. These are returned to default once the update is complete.
2. Insert the supplied USB drive into the USB port of the PIP
3. Power the system on and the update will begin automatically – Note: Do not power the system down or remove the USB drive during an update.
 - a. The PIP and display should beep once when powered on. The display should show ‘**Checking for Updates**’ for approximately 1 minute.
 - b. After the 1-2 minutes, the display should beep once and the display should change to ‘**Updating...**’ Depending on how much software needs to be changed, the screen may stay on the ‘Updating...’ screen for another minute. The display will flash every 2-3 seconds. It will continue to do this until the software is updated within the Display.
 - c. Once the display stops flashing, the software will need to finish configuring itself. It may take another 30 seconds to a minute for the update to take effect.
(*****The whole software updating process should take 2-3 minutes**)
4. Once the update process is complete, the ‘**Screen Calibration**’ layout will be displayed. Please recalibrate the screen to proceed to the main menu.
5. Once the calibration is complete the **PIP Setup** screen will appear. For **Model** and **TSD Model** press the number next to it, re-enter that default value, press ‘**Enter**’ to confirm (ex: **Model: re-enter 5 and press enter to confirm**). **Flowmeter** setting must be set to 2. For the **OEM** selection press the number related to you respective manufacturer and again press ‘**Enter**’ to confirm.

Model	Large Square - 5=565 Round - 3=563 Small Square - 2=562
OEM	0 = Harvest Tec 1 = Hay Boss 2 = Case IH 3= New Holland
TSD	4
Flowmeter Setting	2

Once all three options are programmed correctly the system power down. **Touch** the screen to get the system to power back on and enter Main Menu.

6. If you have a 562 system continue onto step 9. For a 565/563 continue by pressing ‘**Setup Mode**’ and then ‘**Options**’. Once screen appears press the **0** next to Flow Rate. It will then advance to another screen, Press **1** then press ‘**Enter**’ to confirm. The system will power down, **touch** the screen start the system again.
7. Once the system has returned to Main Menu, the update has been completed. It is now time to re-enter all of the Application/Bale Rate/Tagger settings that were set prior to the update.
8. *Make sure that a new Job has been created before baling is started.*

(****Remove USB stick before turning the applicator system OFF****)

Installation of 600 Series Software

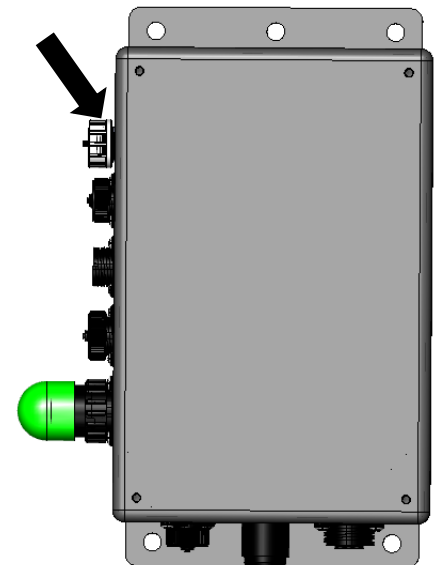
1. Go to the Product Updates page on the Harvest Tec website (<http://harvesttec.com/products.html>).
 - a. Locate the software update link for the **600 Series System**. This link will contain files for updating the *DCP Application Software, DCP Object Pool Software, 600 Series TSD (Touch Screen Display), Pump Controller, Tagger Controller, and Bale Scanner*.
 - i. Individually save each file straight to a USB drive by following the directions below or prompts on your computer if different. It is recommended to use a blank USB drive.
 - b. Click on the *600 Series DCP Application Software* file. When the window for saving file appears select the 'SAVE' option.
 - c. Once 'SAVE' has been selected, a *Save As* menu will appear and then choose where you want to save the files. Select the *Save In* drop down menu and select the USB storage drive.
2. Once the USB drive is selected press 'SAVE' and the file will save accordingly. *(Repeat steps a-c for all needed files. **If your system does not consist of a 600 Series TSD, Pump Controller, or Tagger Controller, you do not need to save those files to your USB drive.*

DO NOT EXTRACT or 'UNZIP' THE OBJECT POOL SOFTWARE FILE, LEAVE IT IN THE .zip FORMAT

3. Once you've saved all the necessary files required to update your system to your USB stick, you are ready to begin the update process. Start the update process by having your *600 Series system* turned off and powered down, also disconnect the power harness.

4. Insert your USB drive into the USB port of the DCP. Reconnect the power harness to the bottom of the DCP (shown right).
*Plugging the USB into a Virtual Terminal monitor will not update DCP.

5. Power the system on by turning the tractor key to the ON position and the update will begin automatically – Note: Do not power the system down or remove the USB drive during an update.



- a. When initially powered on, the USB drive will flash, indicating that files are being loaded to the DCP, this update can take up to 30 minutes. The USB will not necessarily blink the entire time the update is taking place.
- b. If the DCP is connected to a Virtual Terminal (VT), you might see a status bar or icon on the VT that indicates the **Object Pool Software** for the *600 Series System* is being loaded to the VT within 30 seconds. However, this is not standard on all VT's. So if a status bar does not appear, continue with the update as stated previously.
- c. Once the Object Pool Software has finished loading to the VT, a 600 Series System tab will appear on the working screen that will allow you to view the 600 Series screens.
- d. If the DCP is connected to a *600 Series TSD*, the *600 Series TSD* will beep once when powered on. The display will show '**Checking for Updates**'.
 - i. After the update is started the display will beep once and the display will change to '**Updating...**' Depending on how much software needs to be changed, the screen may stay on the 'Updating...' screen for up to 5 minutes. The display will flash every 2-3 seconds. It will continue to do this until the software is updated within the Display. Once the display stops flashing, the software will need to finish configuring itself. It may take another 30 seconds to a minute for the update to take effect. This update may take up to 5-10 minutes.

600 Series Software Updating Instructions (continued)

6. If the DCP is connected to a 600 Series TSD, once the update process is complete, the '**Screen Calibration**' layout will be displayed. Recalibrate the screen to proceed to the main menu.
7. Once you have your system in Main Menu, the update has been completed. Verify that none of the Application/Bale Rate/Tagger settings have changed.
8. Make sure that a new Job has been created before baling is started.

POWER DOWN THE APPLCIATOR BY TURNING OFF KEY AND THEN REMOVE USB STICK

Job Record Notes

-Making updates to the **Object Pool Software** or **Application Software** on the *600 Series DCP* does not erase the *Job Record Files* or *Application/Bale Rate/Tagger Settings* stored on the *600 Series DCP*, so you do not have to download Job Records and write down all important settings before updating the system.

-Prior to modifying the **Configuration** of the *600 Series DCP*, you should download the Job Records and write down the important settings (refer to operation manual for download instructions). **Job Records will be erased and settings will be returned to factory default settings when the configuration is modified.**

In order to change the configuration of a DCP, you will need to contact Harvest Tec to obtain a specific configuration file for your DCP.

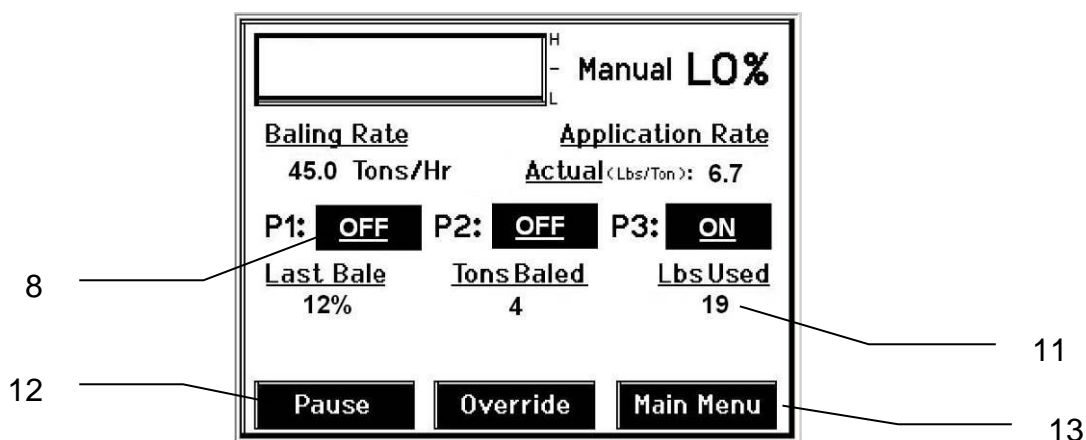
If you have any questions or problems regarding the update process please contact Harvest Tec for assistance. 800-635-7468

First Time and Annual Startup

AFTER INSTALLATION THE UNIT MUST BE CHECKED OUT BEFORE FIELD OPERATION!!

CHECKING AND PRIMING THE PUMPS

1. Put 10 gal of water in tank and turn main ball valve on.
2. Inspect for any leaks or drips at this time. If any are found tighten or replace area or fitting.
3. **Turn applicator system on** (turn on key to the tractor).
4. Once at Main Menu press the SETUP MODE key. Press the Baling Rate key in the Setup Mode screen. The Bale Rate Sensors need to be turned OFF. **Select Sensors are: OFF** to disable bale rate sensors. Make sure the AVG Bale Weight is 1500 lbs and the AVG Baler Length is 96 in. and EST Baling Time is 60 sec. Once the Bale Rate Sensors have been turned off the TSD should go blank. Touch the screen to start it back up, it should return to MAIN MENU key.
5. Press the MANUAL MODE key.
6. The screen shown below should appear.
7. The rates listed below are for Harvest Tec buffered propionic acid. Other products will need to be collected and weighed to assure proper performance is achieved.



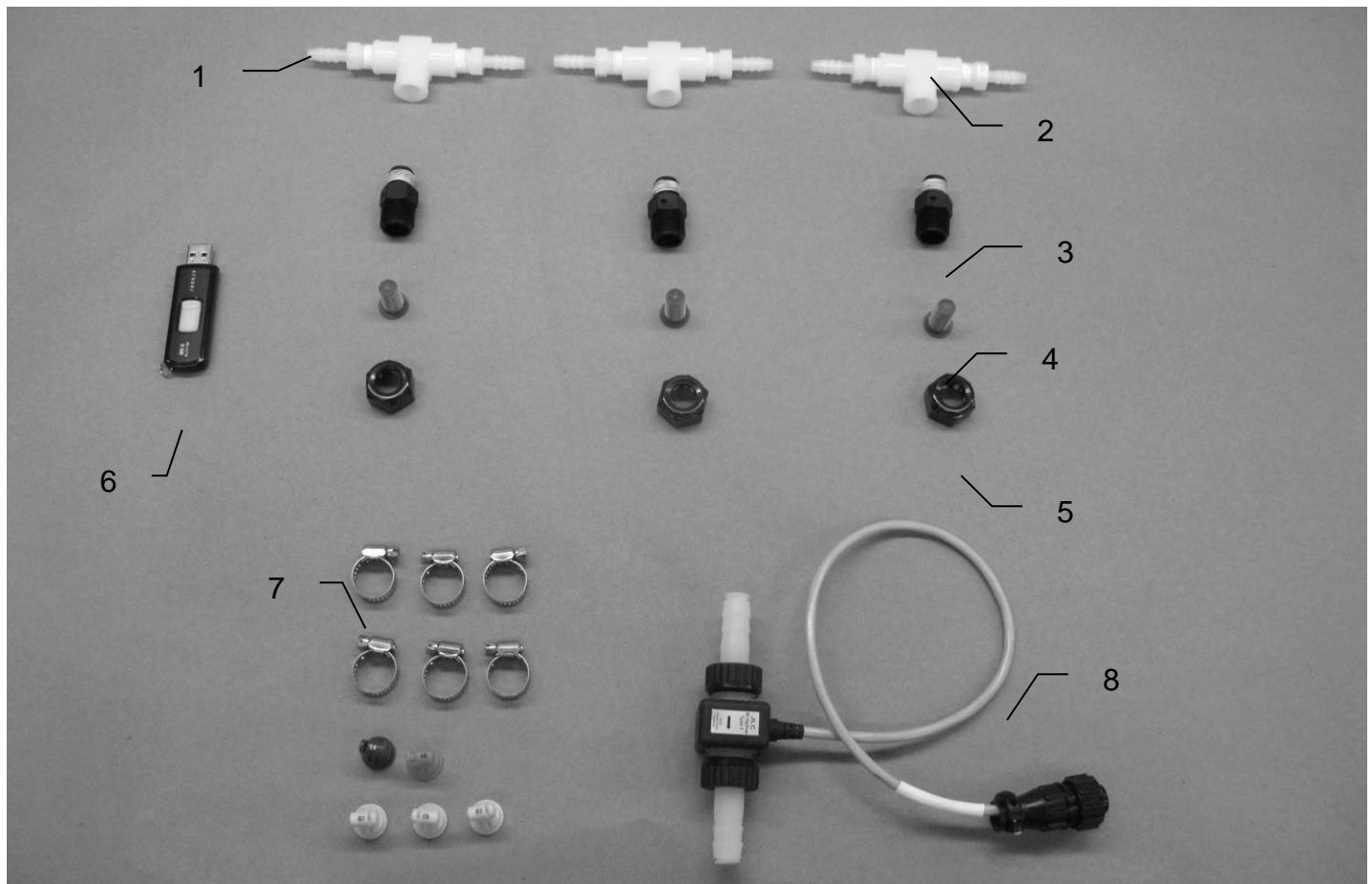
8. **NOTE: THIS KIT COMES WITH THE X-HI TIPS AND THEY NEED TO BE PROPERLY INSTALLED ON THE SPRAY SHIELD. TEST SYSTEM WITH TIPS YOU WILL USE MOST OFTEN.**
- **With low tips in:** Turn pump 1 on (P1). To do this press the underlined area on the screen which says OFF. The application rate should then read between 1.1 – 1.5 Lbs/Ton. Ideally, at 13.5 volts, the rate would read 1.3 Lbs/Ton.
 - Repeat the process for pumps 2 and 3 (P2 and P3). The application rate should read between 1.9 – 2.6 Lbs/Ton and 2.9 – 3.9 Lbs/Ton respectively. Ideally, at 13.5 volts, the rate for pump 2 would be 2.2 Lbs/Ton; pump 3 would be 3.4 Lbs/Ton.
 - **With high tips in:** Turn pump 1 on (P1). To do this press the underlined area on the screen which says OFF. The application rate should then read between 1.9 – 2.6 Lbs/Ton. Ideally, at 13.5 volts, the rate would read 2.2 Lbs/Ton.
 - Repeat the process for pumps 2 and 3 (P2 and P3). The application rate should read between 2.9 – 3.9 Lbs/Ton and 5.7– 7.7 Lbs/Ton respectively. Ideally, at 13.5 volts, the rate for pump 2 would be 3.4 Lbs/Ton; pump 3 would be 6.7 Lbs/Ton.
 - **With X-Hi tips in:** Turn pump 1 on (P1). To do this press the underlined area on the screen which says OFF. The application rate should then read between 3.0 – 4.0 Lbs/Ton.
 - Repeat the process for pumps 2 and 3 (P2 and P3). The application rate should read between 4.7 – 5.7 Lbs/Ton and 6.7 – 8.7 Lbs/Ton.
9. This process will also be used to prime the pumps whenever needed.
 10. While running pumps check for a good spray pattern out of the respective tips and verify that no parts of the system are leaking.

11. While doing these tests the Volume Used on the bottom of the screen should be counting up, this verifies that the flow meter is functioning.
12. Last Bale shows the average moisture content of the last bale made. This information will then be saved in your Job Records.
13. Press the MAIN MENU key to return to the initial start up screen.

NOTE: It is recommended that the system be run with the bale rate sensors on. Press the SETUP MODE key and turn the bale rate sensors back on for normal operation. (Also see Baling Rate to adjust bale weight, length, and time.)

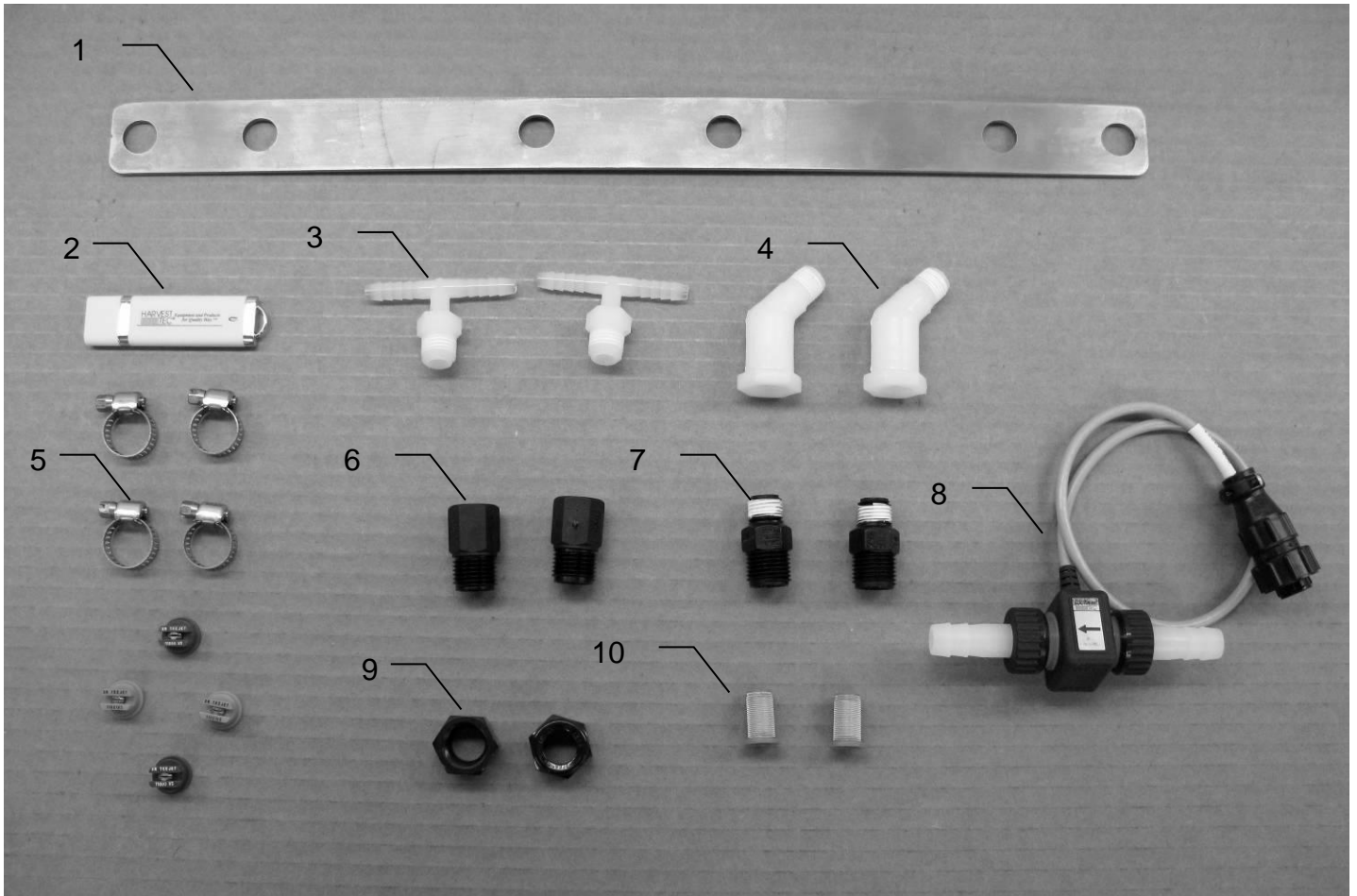
Model 500XHI Parts Breakdown

Large Square Baler



<u>Ref</u>	<u>Description</u>	<u>Part #</u>	<u>Qty</u>	<u>Description</u>	<u>Part #</u>	<u>Qty</u>
1	Straight fitting	003-A1414	6	Tip (yellow)	004-TT11002VP	3
2	Tee	003-TT14SQ	3	Tip (blue)	004-TT11003VP	1
3	Nozzle body	004-4722	3	Tip (orange)	004-TT11001VP	1
4	Tip strainer	004-1203-100	3			
5	Nozzle cap	004-4723	3			
6	USB flash drive	006-5650USB	1			
7	Hose clamp	003-9002	6			
8	Hi-output flow meter	006-4727A	1			

Large Round Baler



<u>Ref</u>	<u>Description</u>	<u>Part #</u>	<u>Qty</u>	<u>Description</u>	<u>Part #</u>	<u>Qty</u>
NP	Braided Hose-Blue	001-9016B	1	Tip (orange)	004-XR11001VS	2
NP	Braided Hose-Green	001-9016G	1	Tip (blue)	004-XR11003VS	1
1	Nozzle Holder	001-4714EXT	1	Tip (red)	004-XR11004VS	1
2	USB Flash Drive	006-5650USB	1			
3	Tee ¼ MPT x ¼ HB	003-T1414T	2			
4	Street Elbow	003-SE4514	2			
5	Hose Clamp	003-9002	4			
6	Nozzle Body	004-4721	2			
7	Nozzle Body	004-4722	2			
8	Hi-Output Flow Meter	006-4727A	1			
9	Nozzle Cap	004-4723	2			
10	Tip Strainer	004-4213-200	2			

NP Not Pictured

Harvest Tec LLC. Warranty and Liability Agreement

Harvest Tec, LLC. will repair or replace components that are found to be defective within 12 months from the date of manufacture. Under no circumstances does this warranty cover any components which in the opinion of Harvest Tec, LLC. have been subjected to negligent use, misuse, alteration, accident, or if repairs have been made with parts other than those manufactured and obtainable from Harvest Tec, LLC.

Our obligation under this warranty is limited to repairing or replacing free of charge to the original purchaser any part that in our judgment shows evidence of defective or improper workmanship, provided the part is returned to Harvest Tec, LLC. within 30 days of the failure. If it is determined that a non-Harvest Tec branded hay preservative has been used inside the Harvest Tec applicator system where the failure occurred, then Harvest Tec reserves the right to deny the warranty request at their discretion. Parts must be returned through the selling dealer and distributor, transportation charges prepaid.

This warranty shall not be interpreted to render Harvest Tec, LLC. liable for injury or damages of any kind, direct, consequential, or contingent, to persons or property. Furthermore, this warranty does not extend to loss of crop, losses caused by delays or any expense prospective profits or for any other reason. Harvest Tec, LLC. shall not be liable for any recovery greater in amount than the cost or repair of defects in workmanship.

There are no warranties, either expressed or implied, of merchantability or fitness for particular purpose intended or fitness for any other reason.

This warranty cannot guarantee that existing conditions beyond the control of Harvest Tec, LLC. will not affect our ability to obtain materials or manufacture necessary replacement parts.

Harvest Tec, LLC. reserves the right to make design changes, improve design, or change specifications, at any time without any contingent obligation to purchasers of machines and parts previously sold.

Revised 7/22

HARVEST TEC, LLC.
P.O. BOX 63
2821 HARVEY STREET
HUDSON, WI 54016
PHONE: 715-386-9100
1-800-635-7468
FAX: 715-381-1792
Email: info@harvesttec.com