

# Installation Manual

## ***Model 796J*** ***110 Gallon Preservative Applicator***



*Equipment and Products  
for Quality Hay.™*

---

P.O. Box 63 • 2821 Harvey Street • Hudson, WI 54016  
800-635-7468 • [www.harvesttec.com](http://www.harvesttec.com)

796J-21-INST  
5/22

(intentionally blank)

# Table of Contents

	<u>Page</u>
<b>Introduction</b>	<b>4-5</b>
<b>System Overview</b>	<b>5</b>
<b>Installation of Applicator</b>	<b>6-17</b>
Installation of Tank	6-7
Installation of Pump Plate	7
Installation of Drain/Fill Line	8
Installation of Spray Shield	9
Installation Kit 4525JC	9
Mounting Solenoids and Hose Routing	10
Main Wire Harness and Baler Interface Harness Routing	11
Installation of Star Wheels	12
Installation End of Bale Sensor	13
Tractor Setup	14
Display Installations	15-20
Tablet Display	15
Harvest Tec Display	15
Baler Display	16-20
Wiring Diagram	21
Pin Outs	<b>22-24</b>
Parts Breakdown	<b>25-34</b>
Tank, Saddle, and Saddle Legs	25
Pump Manifold	26
Star Wheel Moisture Sensor	27
Control Boxes and Wiring Harnesses	28
Solenoid Package	29
Hose and Drain / Fill Line	30
Optional iPad Mini Mounting Kit	31
Optional iPad Display Kit	32
Optional Harvest Tec Display Kit	33
Install Kits	34
4525JC Install Kit	34
<b>Warranty Statement</b>	<b>35</b>

## Introduction

Read this manual carefully to ensure correct steps are done to operate the applicator. This applicator is designed to apply Harvest Tec buffered propionic acid. Use of alternative products may cause complications. Including inaccurate readings from the flow meter and damage to all parts. Resulting in the warranty being void. The applicator can be installed on many square balers with the proper installation kit.

The 796J Hay Preservative Applicator System is designed to apply buffered propionic acid to the forage crop as it is baled and will adjust the rate of application based on moisture and tonnage of the crop being harvested. This manual will take you through the steps for installing the applicator. If you are unsure about installing the system after consulting this manual, contact your local authorized dealership for additional assistance. If you need parts for the system, please see the parts breakdown in the back of this manual and contact your local authorized dealer to order the parts. This applicator is designed to apply Harvest Tec buffered propionic acid.

Right and Left sides are determined by facing in the direction of forward travel.

## System Requirements

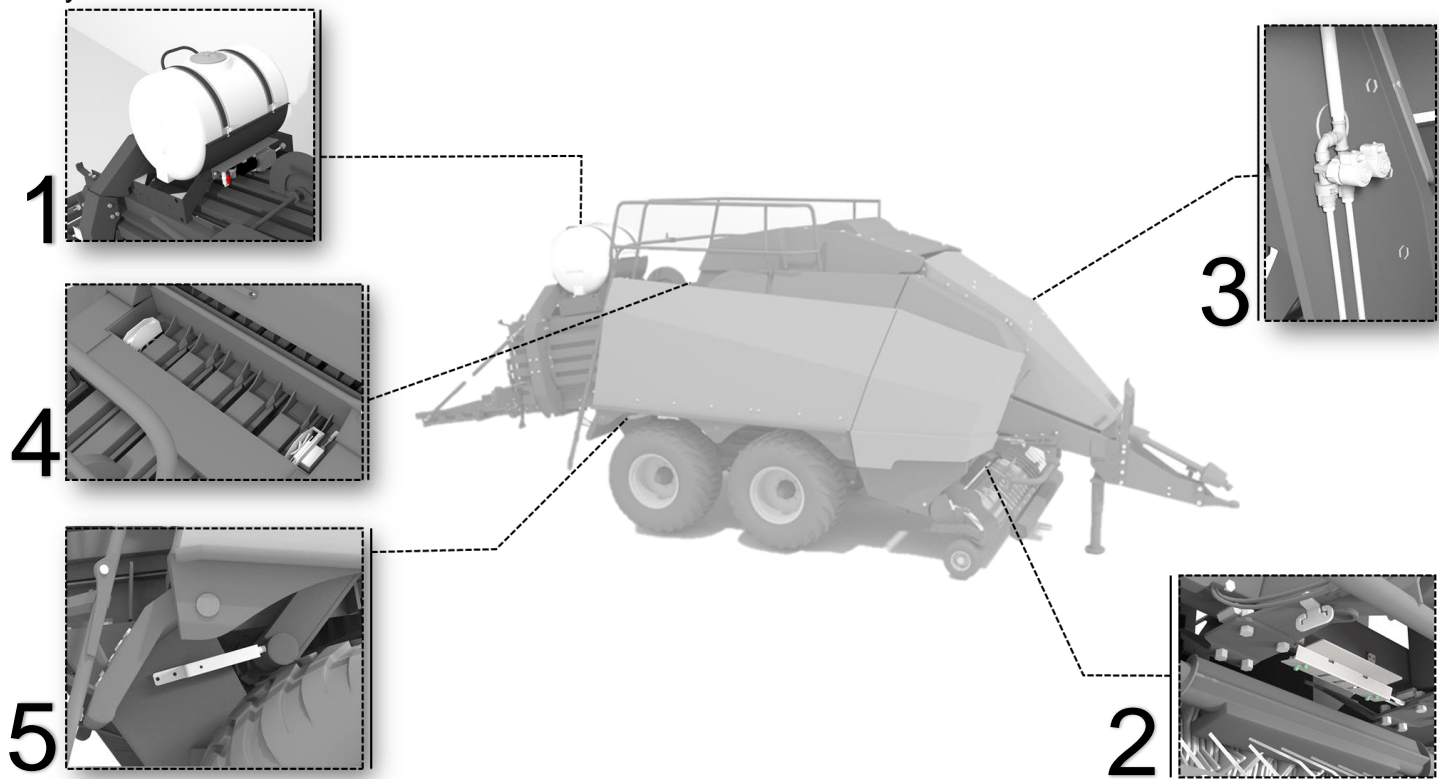


**The Baler must have Software Version 2.0.7 or higher**  
**GreenStar 4<sup>th</sup> Generation Arm Command Display must have version 8.10.2393-23**



**\*Made for Harvest Tec Display, Baler Integration, or Tablet\***  
**For best performance ensure all displays are running the latest operating system**

## System Overview



The 700 series applicator system consists of five main areas of installation, these include:

- 1) Tank Mounting Installation
- 2) Spray Shield Installation
- 3) Solenoid Installation
- 4) Star Wheel Installation
- 5) End of Bale Installation

### **Tank, Saddle, and Pump Installation**

This will mount on the bale chute towards the rear of the baler. All mounting and parts should be verified prior to beginning installation. Follow *Installation of Pump Manifold and Saddle* section for step-by-step instruction.

### **Spray Shield Installation**

The spray shield assembly is designed to spray the hay evenly as the baler picks it up. This holds the tips and is connected to plumbing to apply preservative as precisely as possible. Follow the *Spray Shield Installation* section for sketches of the spray shield nozzle holders and step-by-step instruction.

### **Solenoid Installation**

The dual solenoid setup is to be mounted as close to the spray shield as possible. This will provide the best result to ensure the proper output of preservative is applied through the nozzles. View *Spray Shield installation* section for instructions of solenoid mounting.

### **Star Wheel Installation**

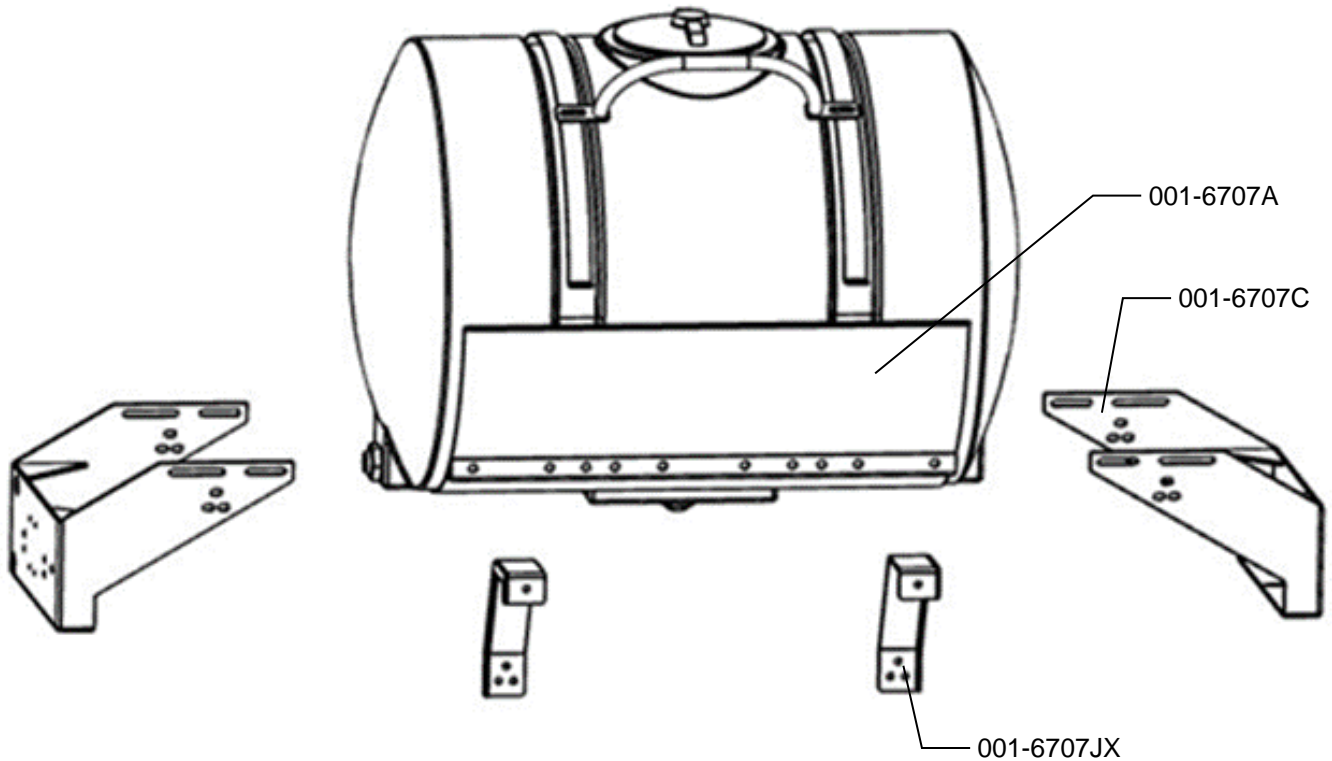
This is the moisture setup for the applicator system, installation will be done on top of the bale chamber so the star wheels can make sufficient contact with the bale. Follow *Star Wheel Mounting* sections for step-by-step instruction.

### **End of Bale Installation**

The end of bale sensor determines the position of the needles on the baler. When the needles cycle the sensor communicates this information to the 700 series. Installation of this sensor is required for use with the Harvest Tec Virtual Terminal. Follow *End of Bale Sensor Installation* section for step-by-step guide.

## Installation of Applicator

### Tank & Saddle Installation



### 3x3 and 3x4 Balers

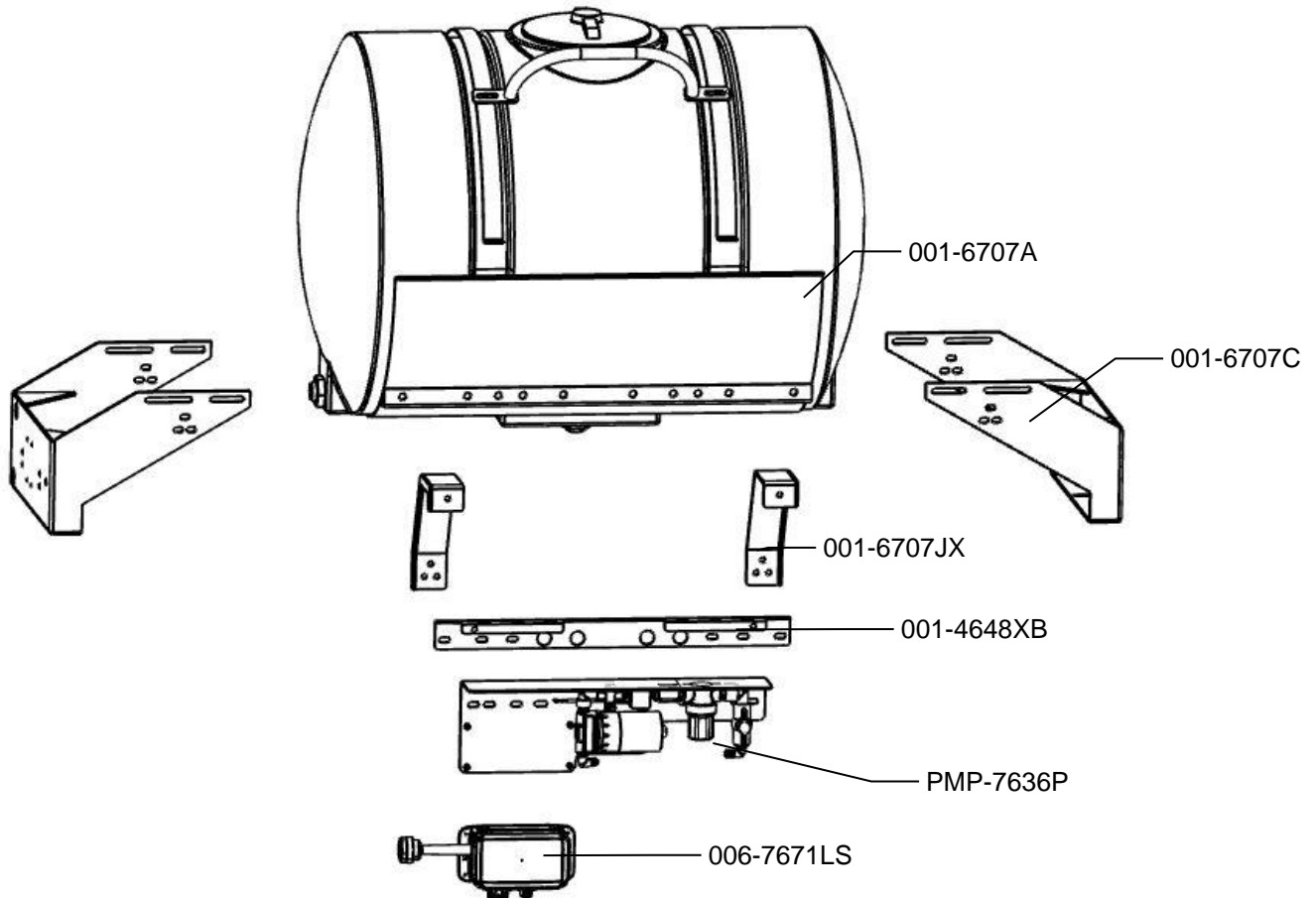
Locate parts bag 4. Prior to mounting the assembly onto the back of the bale chamber, install both saddle legs (001-6707J) loosely onto the saddle (001-6707A) with six  $\frac{3}{8}$ " x  $1\frac{1}{4}$ " bolts, locks, and flat washers. The mounting slots in the legs will attach to the second and fourth weld nuts (3 x 3) first and second for (3 x 4), in from each end of the saddle, on both sides.

1. The tank legs bolt to the sides of the chamber on each side with three  $\frac{1}{2}$ " x  $1\frac{3}{4}$ " carriage bolts, using existing holes in the chamber. Tighten the legs to the chamber prior to centering the tank saddle and tightening the legs to the saddle.
2. Install the pump plate extender brackets (001-6707JX) to the legs.

## Installation of Pump Plate

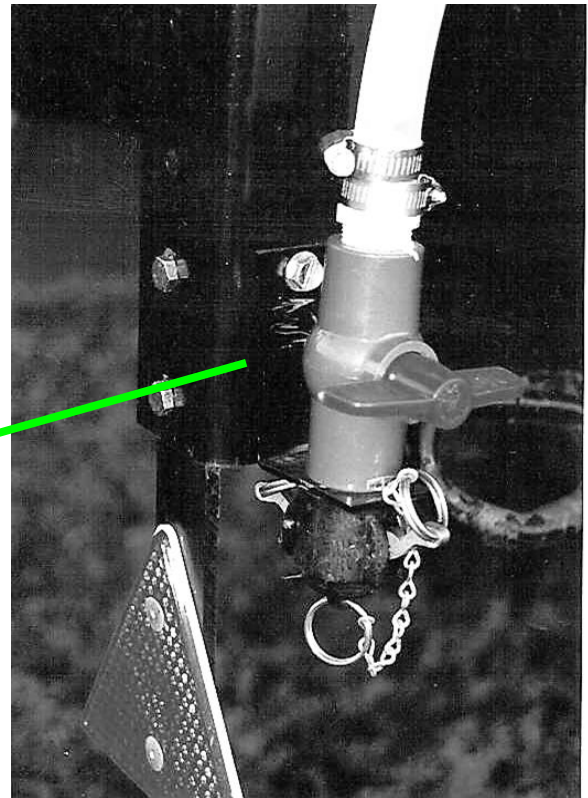
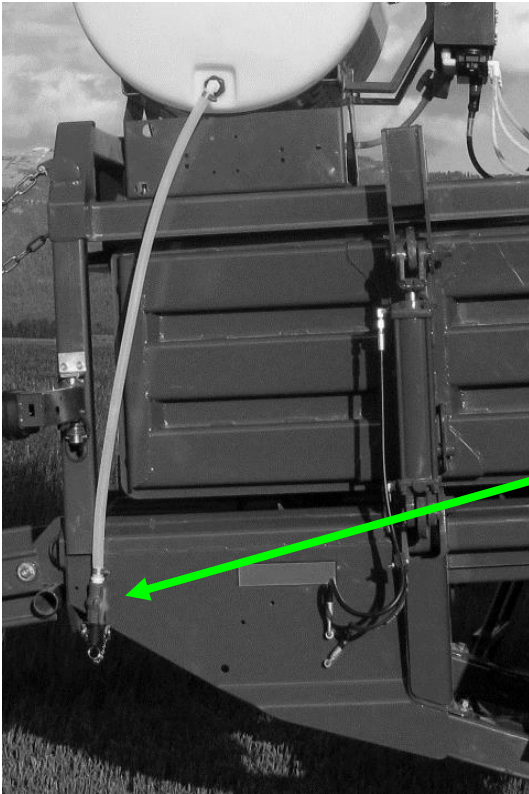
1. Attach (001-4648XB) Bracket to pump plate brackets (001-6707JX) with remaining hardware from #6 parts bag.
2. Connect control (006-7671LS) to pump plate (PMP-7636P) with four 10/32" x 5/8" Philips flat head screws and nylock nuts.
3. Attach pump plate assembly (PMP-7636P) to bracket (001-4648XB) with two 3/8" x 3/4" flange bolts and nuts.

**Note:** Pressure washing the pump plate can lead to water damage internally of the ISO Pump Module (IPM).



## Installation of the Drain & Fill Line

- A. Locate parts bag 1.
- B. Thread 3/4" elbow fitting into end of tank.
- C. Run hose from the elbow down the frame to the bottom of the baler.
- D. Drill 1/4" (7mm) holes to accept the valve holder bracket and use 5/16" x 1" self-tapping screws.
- E. Connect valve assembly to other end of hose. Place hose clamps on both ends.
- F. Secure hose to frame using cable locks.
- G. Install supplied safety decals (DCL-8001 & DCL-8005) next to the ball valve assembly.

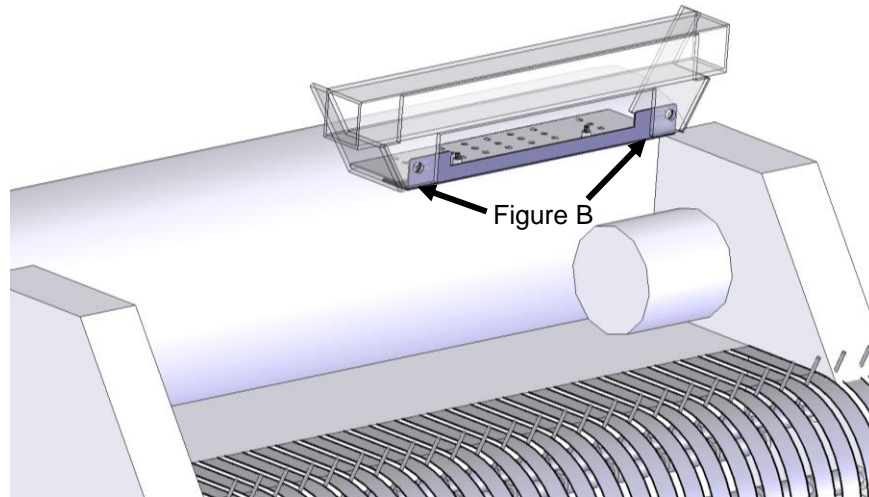




## Spray Shield Installation

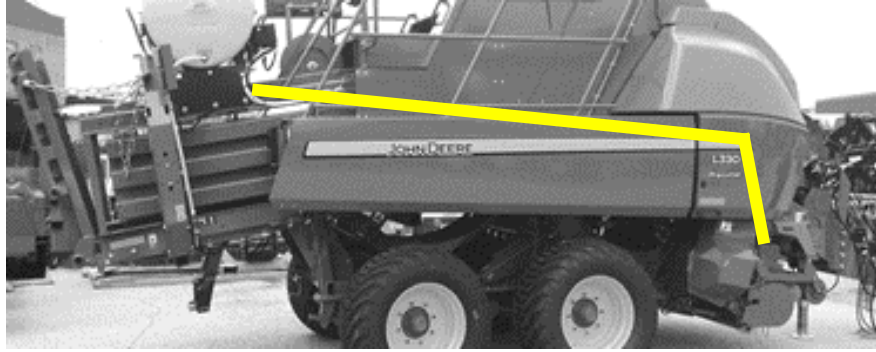
The spray shield assembly is designed to spray the hay evenly as the baler picks it up. A sketch of the spray shield nozzle holder is shown below.

### Installation Kit 4525JC



Locate the two bolts shown in Figure B. Remove bolts and install spray shield holder (001-4435EJ). Install bolts and tighten. Install spray shield assembly (001-4435ES) and secure with two supplied lynch pins. Use the inside nozzle holes spaced 10" (25cm) apart on 3x3 balers and the outside nozzle holes on 3x4 balers.

## Mounting Solenoids and Hose Routing



- A. Once spray shield is mounted, ensure solenoids 002-2203F are mounted using the solenoid mount plate 001-4648DSH as closely as possible (max distance 3ft) to the spray shield. This will ensure the most precise application of the preservative.



Solenoids  
002-2203F



Solenoid Mount  
001-4648DSH



Solenoid Harness  
006-3650-S1

- B. Once solenoids are mounted, streamline solenoid harness 006-3650-S1 along baler back to connection on main baler harness 006-765B. Solenoid with white dot attaches to SOL 1 and Solenoid with blue dot attaches to SOL 2. Connect harnesses and ensure they are secure.
- C. Route hoses along the path or similar inside of the baler, as shown in picture above. Keep hoses away from moving parts and hydraulic hoses. When all connections are made to the tank, solenoids, and spray shield secure with existing cable clamps or use cable ties.
- D. Connect hoses from spray shield to solenoids. Note: Make sure solenoid with white dot attaches to spray shield with white dot. Follow same procedure for Blue dot.

## Tip Connections

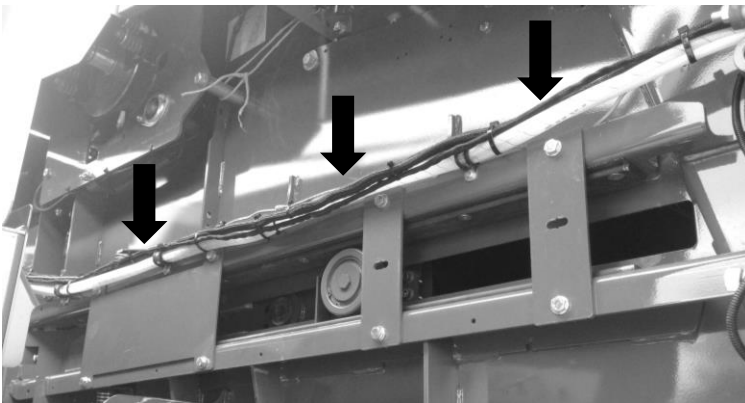
Dot color	Tip	Hose color	Position on 765B2 wire
White Dot	8004 or 11004	White	Sol 1
Blue Dot	8008 or 11008	Blue tracer	Sol 2

## Main Wire Harness and Baler Interface Harness Routing and Connections

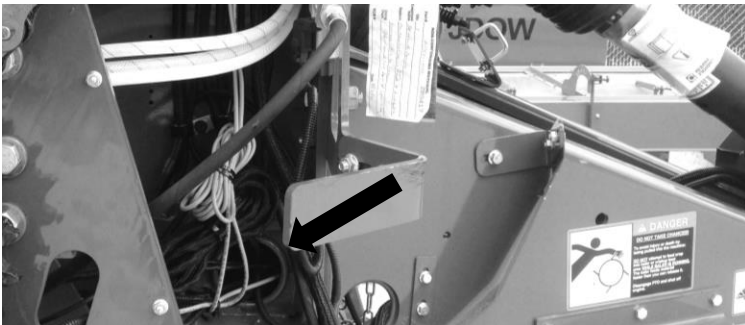
### John Deere L330 / L340 Balers Harness Routing and ISOBUS Connection



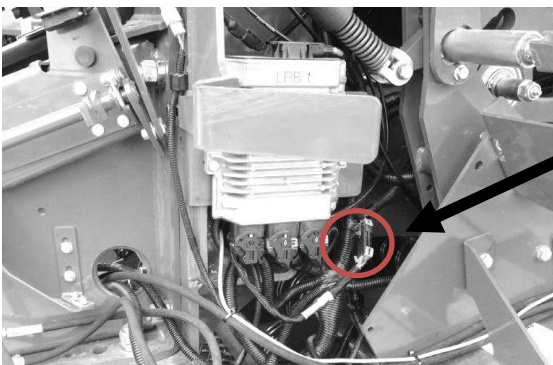
Route cords 006-765B along this path. Keep cords away from moving parts and hydraulic hoses. Secure with existing cable clamps or use cable ties. When all connections are made, secure wires as shown.



Route mounting harness and hoses from IPM and ICM as shown in picture left, secure with cable ties.



Route ISO Integration Harness (006-765VA) to opposite side of baler through support cylinder as shown in picture left.



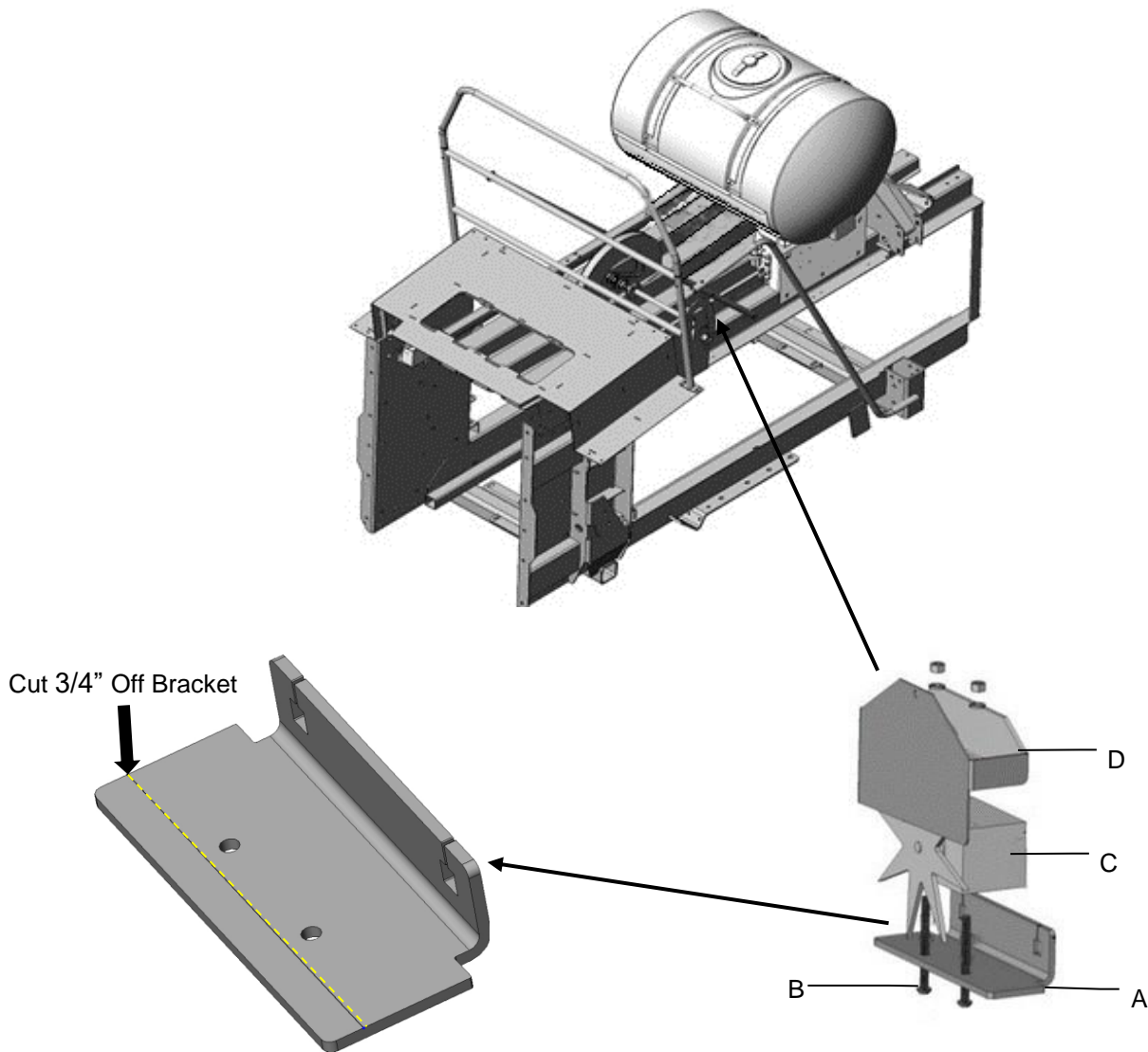
Locate harness 006-765VA and connect to baler interface harness next to baler's processor (below) on front left side of baler.

Remove baler terminating resistor and connect to short pigtail on 006-765VA Harness.

## Star Wheel Installation

Remove any material from the bale chute. The star wheels are to be mounted on the transition bracket on both sides of the bale chute located after knotters shown above. Holes have been installed at the factory, however you need to remove bracket and cut 3/4" (19mm) off the bracket as indicated below to allow proper spacing for star wheel assembly.

Once complete, touch up with spray paint to prevent rusting and place the carriage bolts that mount the transition bracket back in original bracket mounting holes (A) before mounting star wheel assembly (C). Insert the 5/16" x 3" Allen head bolts (B) up through the transition bracket. Place the star wheel block over the nuts. Place twine guard on top of star wheel (D).

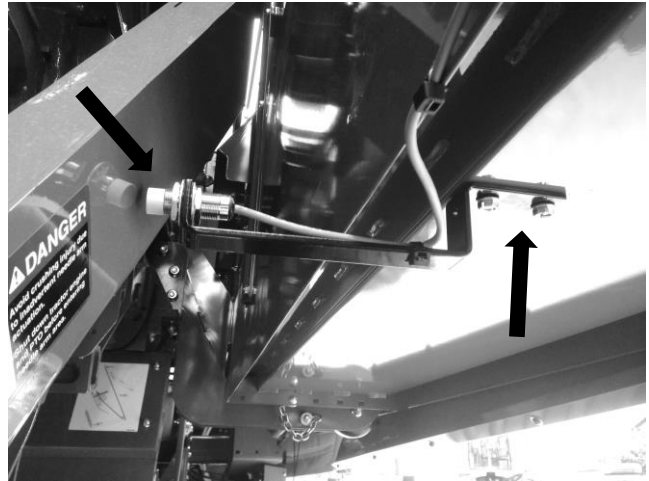
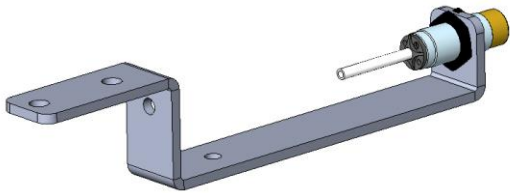


**Note: Star wheel with 6 position plug and twine diverter with extra holes needs to be mounted on right side of baler.**

## End of Bale Sensor Installation

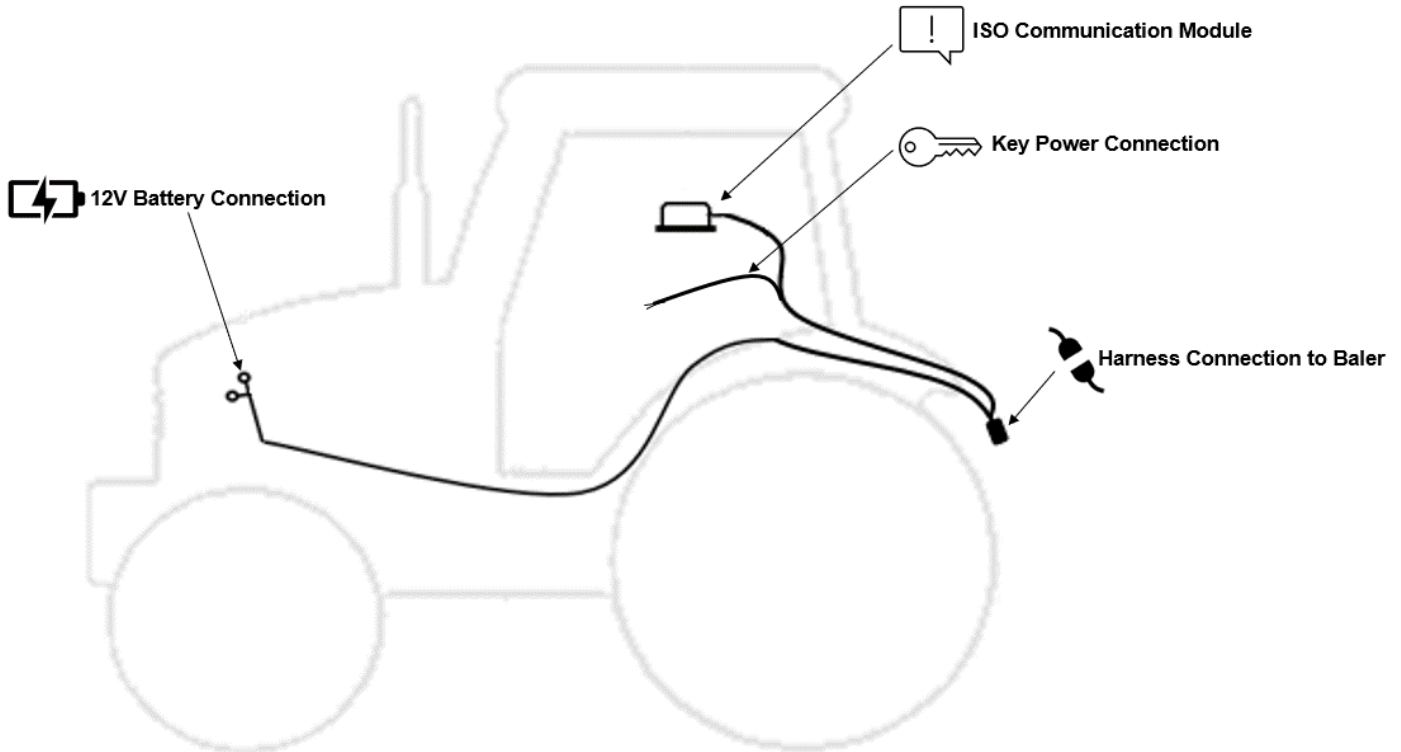
The end of bale sensor determines the position of the needles on the baler. When the needle cycles the sensor communicates this information to the 700 series that a bale has been made. Installation of this sensor is required for use with the Harvest Tec job records. Reference "Sensor Settings" in Operation Manual.

End of bale sensor bracket (001-4648J) will be used.



Mount the end of bale sensor bracket (001-4648J) as shown. Under the twine box mark and drill two 3/8" (10mm) holes and attach the bracket using two 5/16" x 1" self-tapping screws, and 5/16" flange nuts. Position the bolts so the bolt heads are inside the twine box, so they do not interfere with the twine. Mount the sensor in hole location centered alongside the needle arm, keep the sensor 1/4" (7mm) from the needle arm and tighten both nuts. Route the sensor wire along the bottom side of the twine box toward the twine box pivot point. Secure the wire to the twine box and around the pivot point to avoid damage to the wire. Once routed around the pivot point, connect the EOB sensor wire to the main baler harness (006-765B).

## Tractor Setup



The general tractor setup of the 700 Series applicator can be seen above. The main harness of interest is the tractor power/communication harness (006-7651C). This harness will connect at the tractor battery, to the ISO Communication Module (ICM) mounted in the cab, a keyed power connection point, and connect at the hitch area to the baler power/communication harness (006-765B). View below to see highlighted installation instruction:



The 12V battery connection must be at the tractor battery. Connection to alternative locations such as an accessory port can cause problems with applicator system.

**\*MUST BE CONNECTED DIRECT TO TRACTOR BATTERY TERMINALS\***



The ISO communication module is to be mounted inside the cab. Other mounting locations can lead to issues with weathering and operation. Once installed and the system is powered, a green light will turn on the ICM module.



Ensure a solid keyed connection is found inside the cab and wired into. Poor keyed power connection can result in applicator system issues.

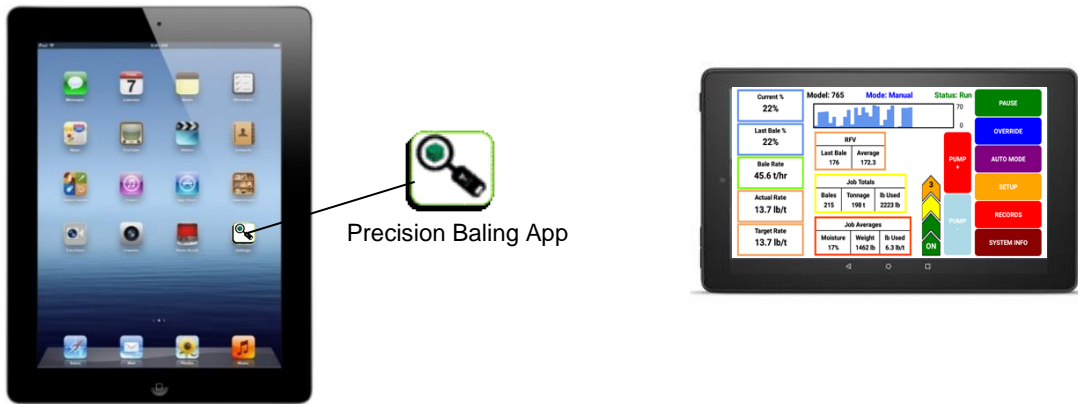


The tractor harness connects at the hitch to baler power/communication harness (006-765B). This will allow the system components to communicate with one another. Ensure connections are debris and corrosion free.



## Display Options

### Optional Tablet Display



The iOS or Android Tablet displays offer the ability to communicate with the 700 series applicator system via hard-wired connection to the ISO Communication Module (ICM). Through the free Precision Baling App, the operator can set real time baling parameters to ensure the most precise application to every bale. This provides a multi-use option while utilizing the improved app to select objects, enter data, and easily switch through operational screens.

The Tablet Display offers easy integration by connecting a charging cable to the USB port on the ICM module (USB port closest to LED light). Once, connected the Harvest Tec applicator will display upon opening the app and powering up the applicator system. Tablets can be used in addition to integrated baler VT display.

**\*Made for iPad®**

**Required to be running the most current operating system or one version previous.**

\*iPad is a trademark of Apple Inc., registered in the U.S. and other countries.

### Optional Harvest Tec Display

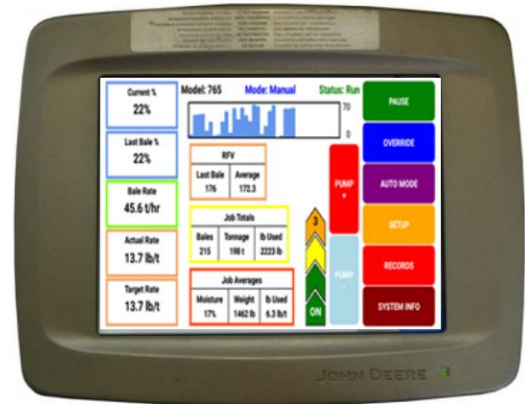
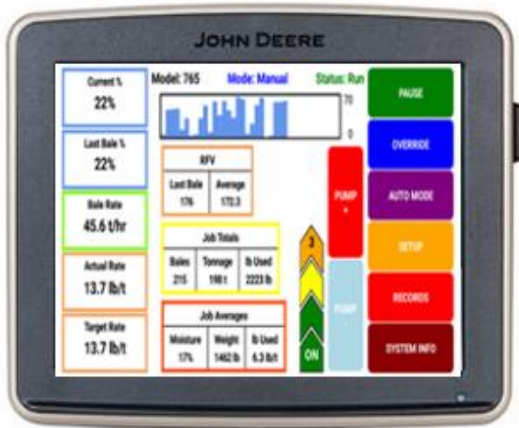


The 700 series Harvest Tec Display will allow you to set your real time baling parameters to ensure the most precise application to every bale. This is done by utilizing the improved touch technology to select objects, enter data, and swipe through operational screens.

The Harvest Tec Display offers easy integration by connecting to the additional CAN plug on the 006-765IC harness. Once, connected the Harvest Tec display will power up with applicator system.

**Note: The Harvest Tec Display must be used as a standalone display, the baler cannot run both integrated and on the Harvest Tec Display. Must be one or the other. Removal of the 006-765VA integration harness is required when equipped.**

## Optional Baler VT Integration



The 700 series integration to the Baler VT allows for the ability to set your real time baling though the baler VT and monitor both baler settings and Harvest Tec system parameters through one monitor to ensure the most precise application to every bale.

The 700 series offers easy integration by connecting to the additional CAN plug on the 006-765B harness. Once connected the Harvest Tec system will display with power up of the baler and applicator system.

## Baler Display Integration

The ISOBUS Monitor utilizes a combination of soft keys, touch panel, and number menus. All buttons are labeled and color coded.



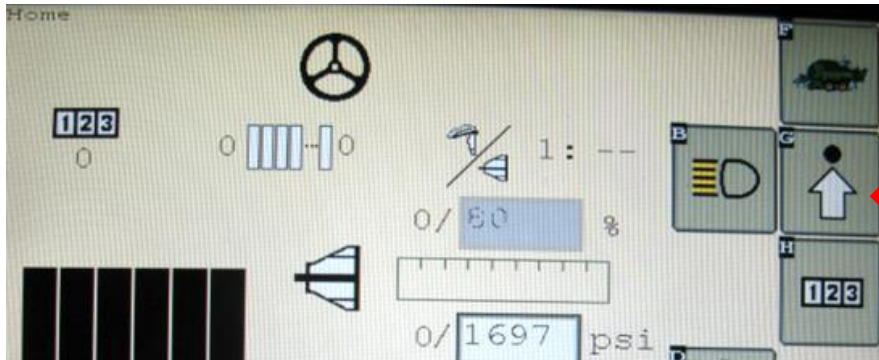


## Baler Monitor Setup

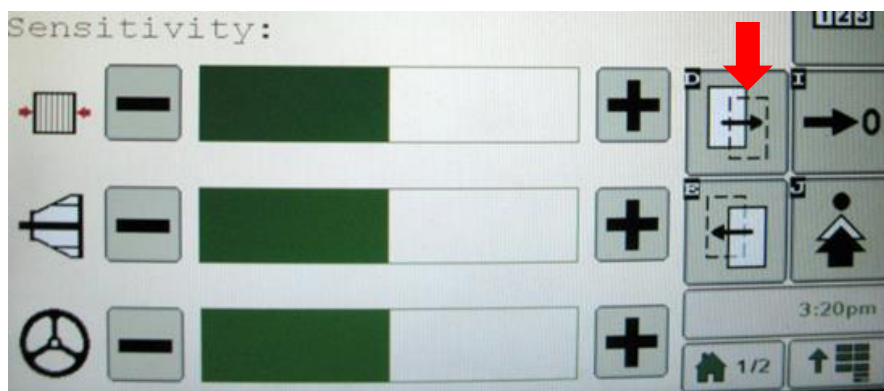
Follow the instructions below to finish setup of the Harvest Tec 796J system through the John Deere ISOBUS monitors.

### 2600 Series Monitors

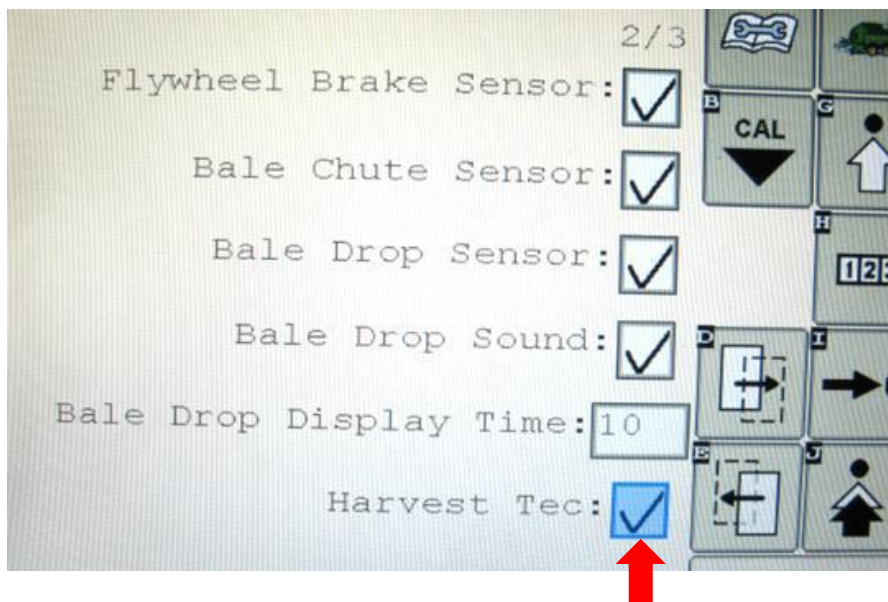
1. Starting from the Home Page select the Up Arrow with the dot on top.



2. On the Machine Setup page that will appear, select soft key D (Page Right)



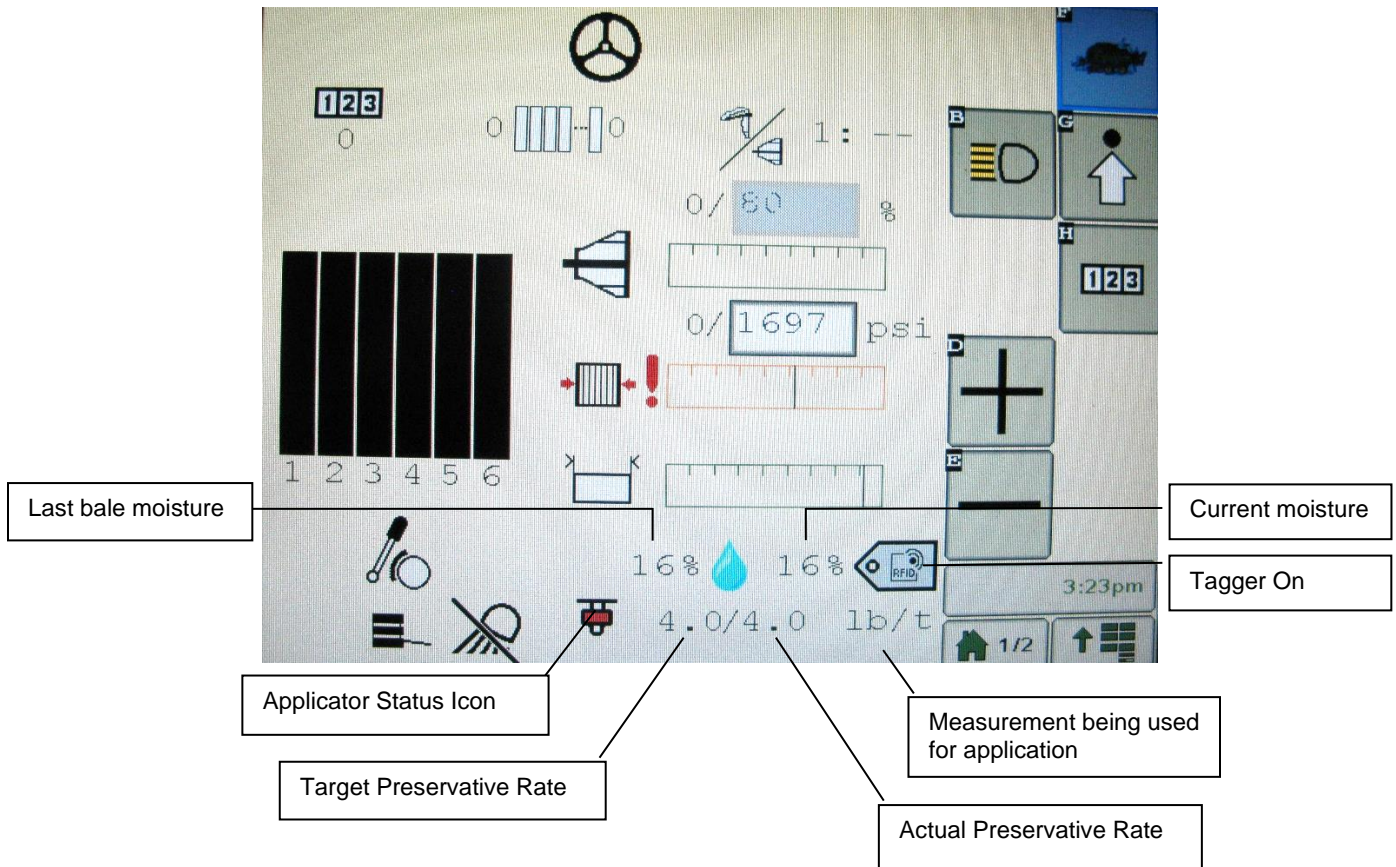
3. On the next page select the Harvest Tec option. The Check mark indicates that the system is now on.



## Baler Monitor Setup (continued)

### 2600 Series Monitor Baler run Screen Details

Harvest Tec information will display on the bottom of screen in the center



### Stats Icon Descriptions



Applicator is not in a run mode.



System is at End of Row as indicated by the Optional Hay Indicators (Crop-Eyes).



Applicator is in Automatic or Manual Mode.



System is in Pause Mode from pressing the Pause button.

# Baler Monitor Setup

## GreenStar 4<sup>th</sup> Generation Arm Command Display

Display software version **8.10.2393-23 or later**, is required on the display to ensure compatibility. Earlier versions are not all compatible. This information can be found by selecting “Menu” in the lower right-hand corner of the display, select the third tab down labeled “System”, press “Software Manager”, then the “Version Information” tab and the software versions will be displayed (Figure 1).

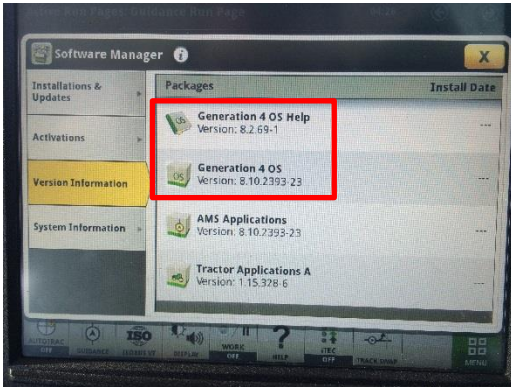


Figure 1



Figure 2

Once you have made sure the software version is at or above the recommended version, return to the tractor run screen. When on the run screen, there will be an ISO button (Figure 2) on the bottom toolbar. Pressing this will bring you into the “Connected ISOBUS Implements” page (Figure 3). If Harvest Tec is powered up correctly and active on the ISOBUS, the icon labeled “Forage, Harvest Tec, Inc.” will display. If the files are still loading you will see a loading status.



Figure 3



Figure 4



Once the files are loaded onto the display, you will receive a warning (Figure 5) to inform the operator that another device has been added onto the ISOBUS. This can be accepted and then selecting the Harvest Tec device in the ISOBUS menu will bring up the Harvest Tec system.

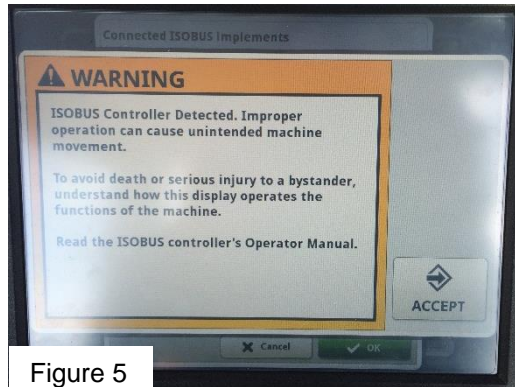


Figure 5

### Baler Monitor Setup (continued)

When the Harvest Tec system is connected you can also access the applicator by following these screens:



## Wiring Diagram – 700 Series

1. Connect the power harness (006-7651C) to the tractor battery (12 volt) using the red wire with fuse to the positive side and the black wire to the negative.



**A. The power harness must be connected to the battery!**

**CONTACT HARVEST TEC BEFORE MODIFICATIONS.**

*\*The unit will draw more amps than convenience outlets can handle. Any modifications of the power harness will void systems warranty\**

**B. This unit will not function on positive ground tractors.**

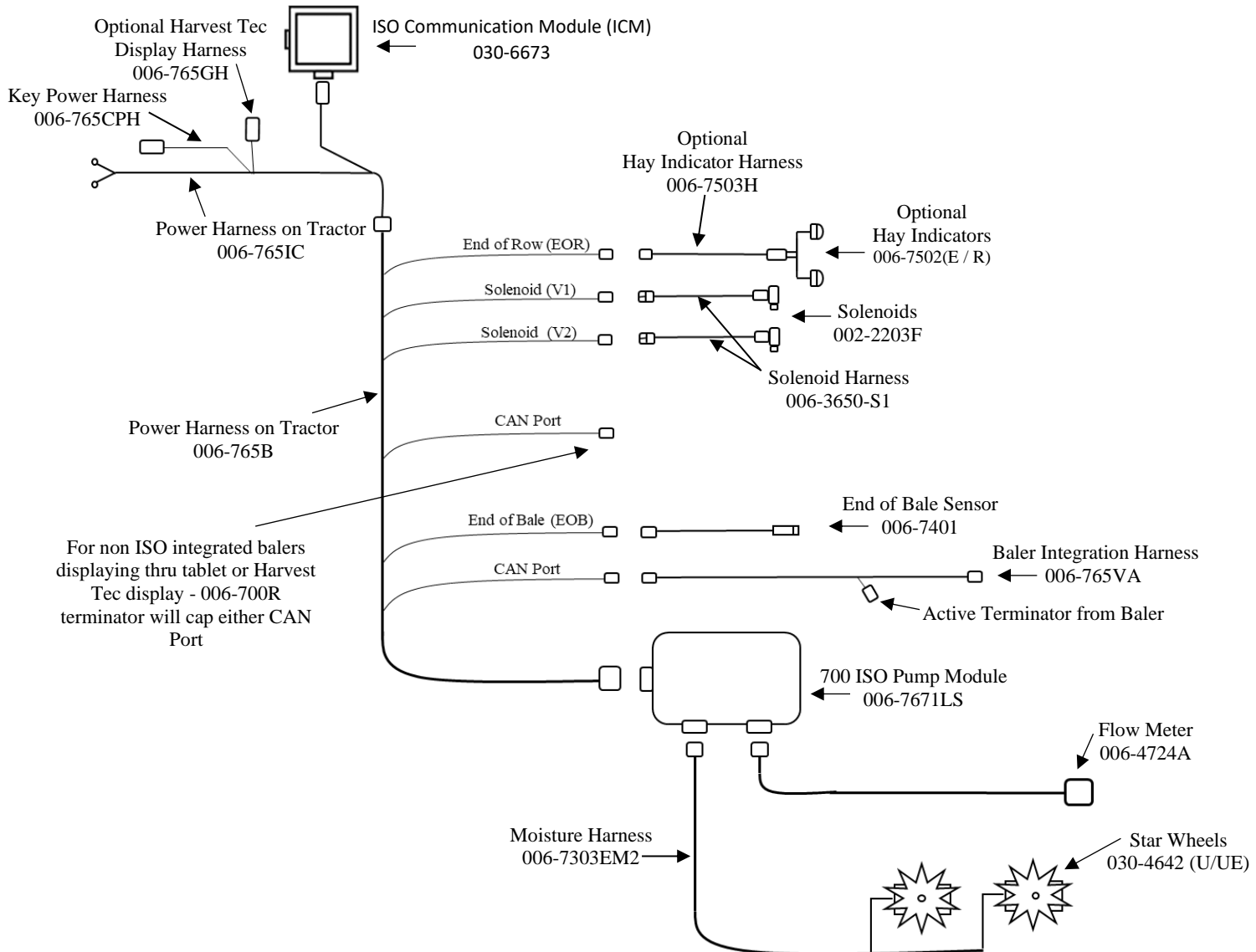
**C. If the unit loses power while operating it will not keep track of accumulated pounds of product used.**

2. The power harness on the tractor (006-7651C) will run from the tractor battery to the hitch. The power harness on the baler (006-765B) will connect to the tractor power harness (006-7651C) at the hitch.
3. Connect the keyed power wire (006-765CPH) to a keyed power source on the tractor.

**The keyed power wire must connect to a keyed source or the unit will not power up correctly.**

4. Attached the ISO Communication Module (006-6673) to the tractor power harness (006-7651C).
5. Attach the End of Bale (EOB) connection on baler harness (006-765B) to the EOB Sensor (006-7401).
6. Attach the Solenoid Harness (006-3650-S1) to baler harness (006-765B) and to the solenoids (002-2203F).
7. Attach the Flowmeter (006-4724A) to ISO Pump Module connection on pump plate assembly.
8. Attach the rubber molded connector on pump plate to the Pump (007-4120DE).
9. Attach star wheel (030-4642 U/UE) connection to ISO Pump Module on pump plate assembly.

## System Wiring Diagram

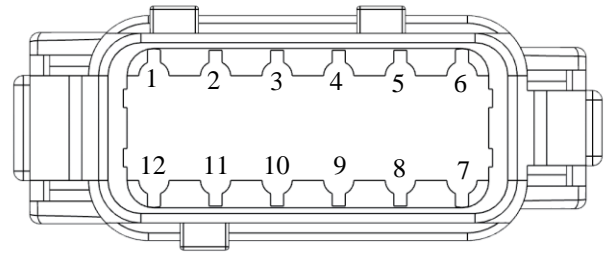


## Pin Outs

### Integrated Control Module (ICM) on harness 006-765IC

(Deutsch Plug Number: DTM06-12SA)

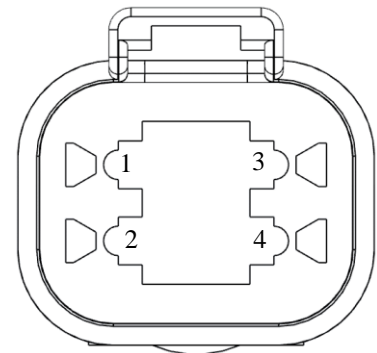
Pin 1	Red	+12V from ECU
Pin 2	Purple	Signal Wire
Pin 3	Red/White	+12V CAN X
Pin 4	Black/White	Ground CAN X
Pin 5	Orange	CAN X Hi
Pin 6	Blue	CAN X Lo
Pin 7	Green	ISO CAN Lo
Pin 8	Yellow	ISO CAN Hi
Pin 9	White	GPS Expansion 1
Pin 10	Gray	GPS Expansion 2
Pin 11	Brown	GPS Expansion 3
Pin 12	Black	Ground from ECU



### ISOBUS Plug on harness 006-765IC

(Deutsch Plug Number: DT04-4P)

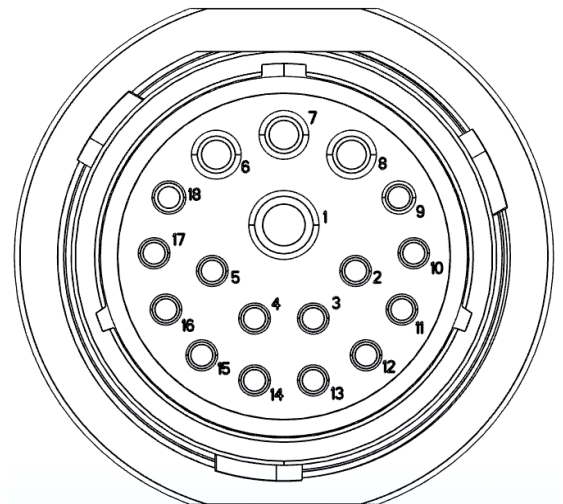
Pin 1	Red	+12V from ECU
Pin 2	Yellow	ISO CAN Hi
Pin 3	Green	ISO CAN Lo
Pin 4	Black	Ground from ECU



### Power / Communication Harness 006-765IC at Baler Hitch

(Deutsch Plug Number: HDP24-24-18PN)

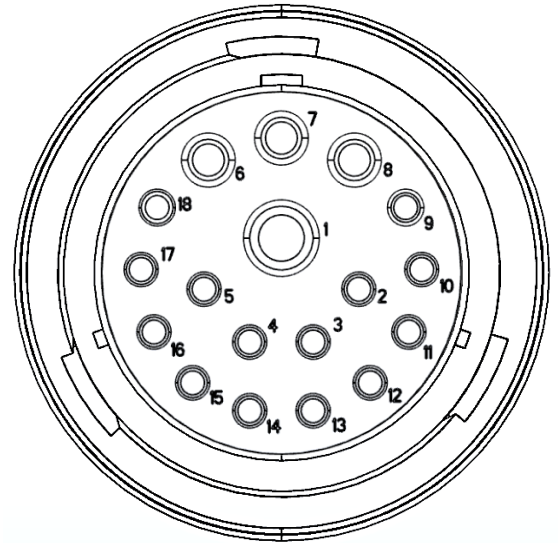
Pin 1	Not Used	----
Pin 2	Yellow	ISO CAN Hi
Pin 3	Green	ISO CAN Lo
Pin 4	Red	+12V Power to ECU
Pin 5	Black	Ground to ECU
Pin 6	Red	+12V From Battery
Pin 7	Not Used	----
Pin 8	Black	Ground From Battery
Pin 9	Not Used	----
Pin 10	Purple	Signal Wire
Pin 11	Red/White	+12V CAN X
Pin 12	Black/White	Ground CAN X
Pin 13	Orange	CAN X Hi
Pin 14	Blue	CAN X Lo
Pin 15	White	GPS Expansion 1
Pin 16	Gray	GPS Expansion 2
Pin 17	Brown	GPS Expansion 3
Pin 18	Not Used	----



**Power / Communication Harness 006-765B at Baler Hitch IPM**

(Deutsch Plug Number: HDP26-24-18SN)

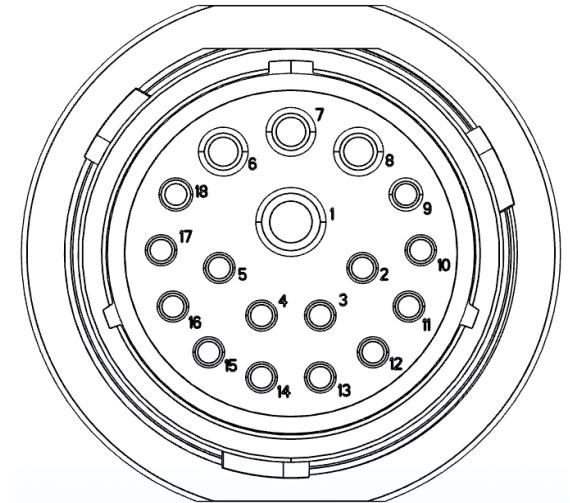
Pin 1	Not Used	----
Pin 2	Yellow	ISO CAN Hi
Pin 3	Green	ISO CAN Lo
Pin 4	Red	+12V Power to ECU
Pin 5	Black	Ground to ECU
Pin 6	Red	+12V From Battery
Pin 7	Not Used	----
Pin 8	Black	Ground From Battery
Pin 9	Not Used	----
Pin 10	Orange/White	+12V Power to EOR
Pin 11	Not Used	----
Pin 12	Not Used	----
Pin 13	Not Used	----
Pin 14	Not Used	----
Pin 15	Not Used	----
Pin 16	Not Used	----
Pin 17	Not Used	----
Pin 18	Not Used	----



**Power / Communication Harness 006-765B at IPM Module**

(Deutsch Plug Number: HDP24-24-18SN)

Pin 1	Not Used	----
Pin 2	Yellow	ISO CAN Hi
Pin 3	Green	ISO CAN Lo
Pin 4	Red	+12V Power to ECU
Pin 5	Black	Ground to ECU
Pin 6	Red	+12V From Battery
Pin 7	Not Used	----
Pin 8	Black	Ground From Battery
Pin 9	Not Used	----
Pin 10	Orange/White	+12V Power to EOR
Pin 11	Orange/Black	Ground to EOR
Pin 12	Purple/Green	EOR Signal
Pin 13	Blue/White	EOB Signal
Pin 14	Gray/Red	+12V Power to Solenoid 1
Pin 15	White/Black	Ground to Solenoid 1
Pin 16	Orange/Red	+12V Power to Solenoid 2
Pin 17	White/Black	Ground to Solenoid 2
Pin 18	Not Used	----



\*IPM Module Whip Plug- Pin # 5 Not Used

**Solenoid 1 Plug on Baler Harness 006-765B**

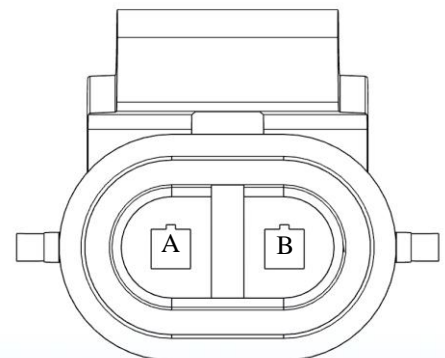
(Deutsch Plug Number: APTIV 12052641)

Pin B	Gray/Red	+12V to Solenoid 1
Pin A	White/Black	Ground to Solenoid 1

**Solenoid 2 Plug on Baler Harness 006-765B**

(Deutsch Plug Number: APTIV 12052641)

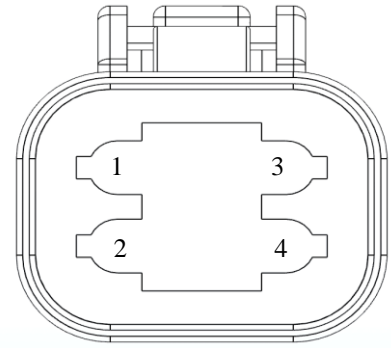
Pin B	Orange/Red	+12V to Solenoid 2
Pin A	White/Black	Ground to Solenoid 2



### CAN / IDM on Baler Harness 006-765B

(Deutsch Plug Number: DT06-4S)

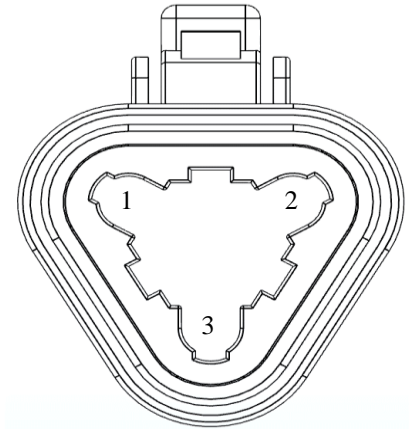
Pin 1	Red	+12V to ECU
Pin 2	Yellow	ISO CAN Hi
Pin 3	Green	ISO CAN Lo
Pin 4	Black	Ground to ECU



### End of Bale Sensor Plug on Baler Harness 006-765B

(Deutsch Plug Number: DT06-3S)

Pin 1	Orange/White	+12V to End of Bale Sensors
Pin 2	Orange/Black	Ground to End of Bale Sensors
Pin 3	Blue/White	Signal



### End of Row Sensors Plug on Baler Harness 006-765B

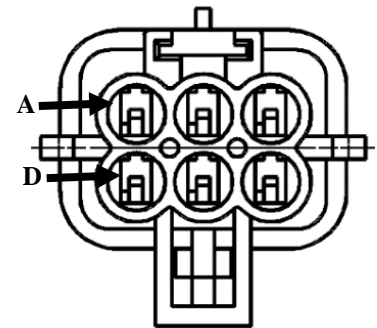
(Deutsch Plug Number: DT06-3S)

Pin 1	Orange/White	+12V to End of Bale Sensors
Pin 2	Orange/Black	Ground to End of Bale Sensors
Pin 3	Blue/White	Signal

### Integration Harness Plug on Baler Harness 006-765VA

(Plug: APTIV 12052848)

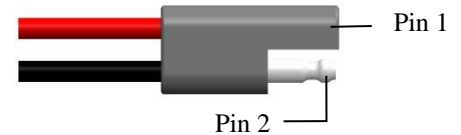
Pin A	Not Used	----
Pin B	Red	TBC Power
Pin C	Not Used	----
Pin D	Gray	TBC Ground
Pin E	Orange	CAN Hi
Pin F	Blue	CAN Lo



### Pump Connection on 700 Controller Harness

(16 AWG Two-Wire Plug)

Pin 1	Red	Power to Pump
Pin 2	Black	Ground to Pump





# Parts Breakdown

## 110 Gallon Tank – Saddle – Legs



**Tank Lid**  
Part #:005-9022H (8" Dia.)  
\*Check embedded letter on tank to see which lid\*

**Tank-110 gallon**  
Part #: 005-9208

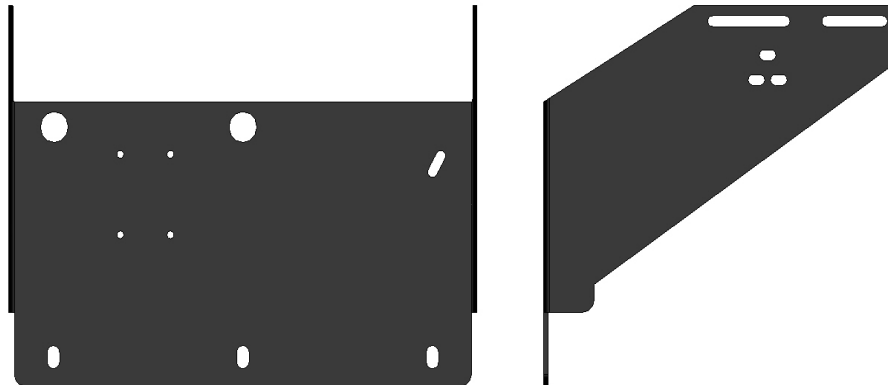
**Handrail**  
Part #: 001-6707HR

**Tank Straps**  
Part #: 001-4402B

**Tank Saddle**  
Part #: 001-6707A

**Tank Fittings**  
Part #: 005-9100

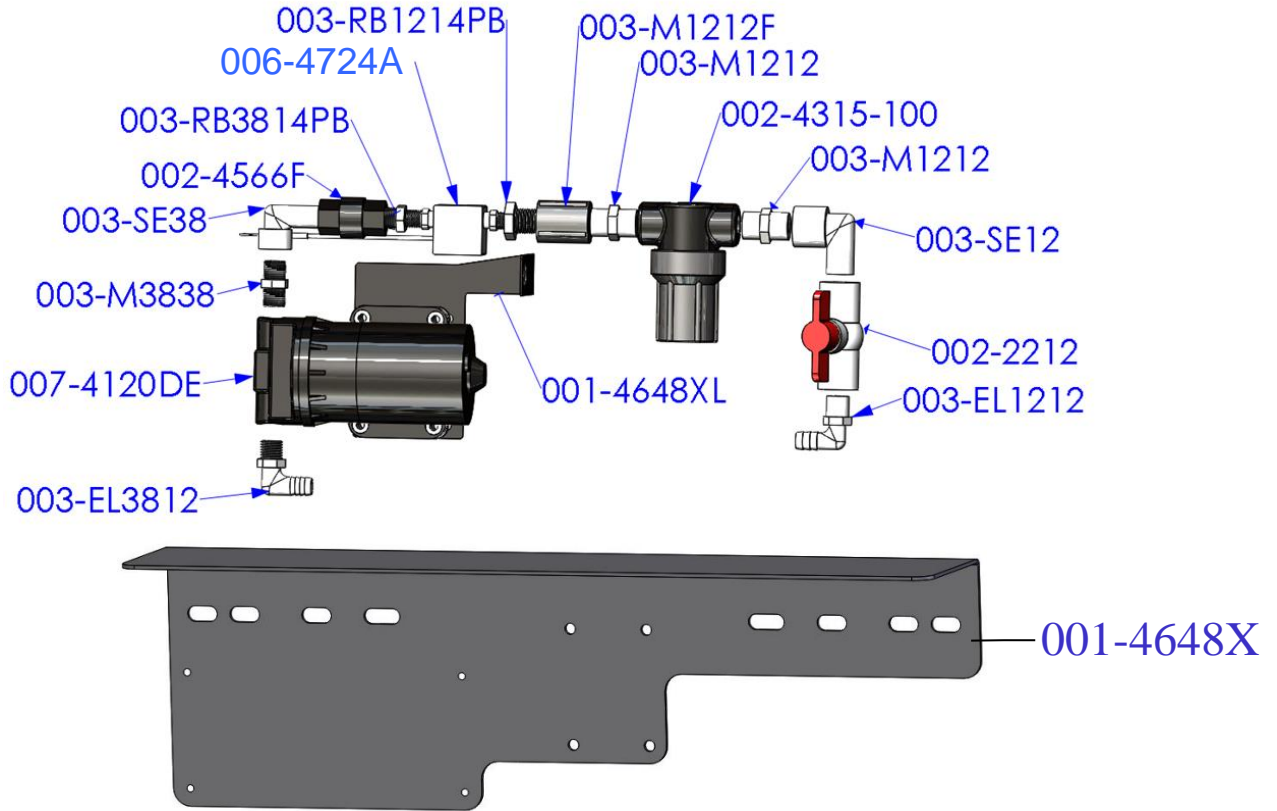
**Not Pictured: Elbow**  
Part#:003-EL3412



**John Deere L330 / L340**

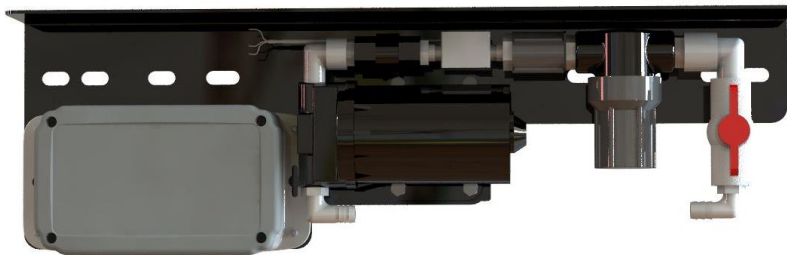
Part# 001-6707J

## Parts Breakdown for Pump Assembly



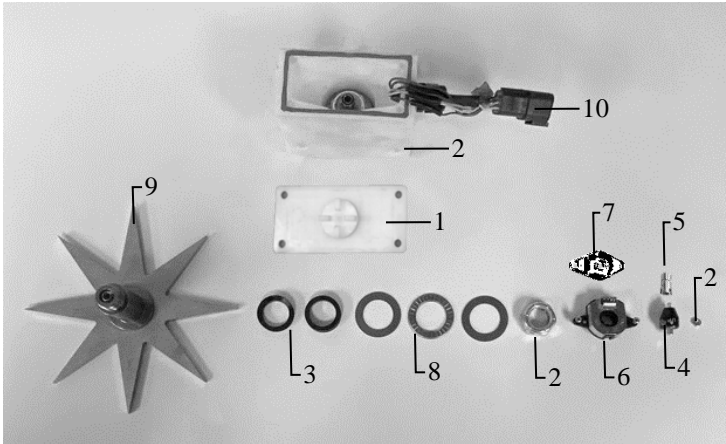
<u>Part#</u>	<u>Description</u>	<u>Qty</u>	<u>Part#</u>	<u>Description</u>	<u>Qty</u>
003-EL3812	3/8" MPT X 1/2"HB Elbow	1	003-M1212	1/2" Union	2
007-4120DE	700 Series Pump	1	002-4315-100	1/2" Line Strainer-100 Mesh	1
003-M3838	3/8" x 3/8" Union	1	003-SE12	1/2" Street Elbow	1
003-SE38	3/8" Street Elbow	1	002-2212	1/2" Ball Valve	1
002-4566F	3/8" Check Valve	1	003-EL1212	1/2"MPT x 1/2"HB	1
003-RB3814PB	RB 3/8" x 1/4" Reducer	1	001-4648XL	700 Pump Support	1
006-4724A	Flow Meter	1	001-4648X	Pump Plate Mount	1
003-RB1214PB	RB 1/2" x 1/4" Reducer	1	003-A1212	Not Pictured	1
003-M1212F	1/2" Coupler	1	003-A3812	Not Pictured	1

## Completed Assembly



\*Note: Due to alternative baler designs, elbow 003-EL3812 can be replaced by straight fitting 003-A3812. As well as elbow 003-EL1212 can be replaced by straight fitting 003-A1212. Both straight fittings are included.

## Star Wheel Sensors



<u>Ref</u>	<u>Description</u>	<u>Part#</u>	<u>Qty</u>
1	Block Cover	006-4642UC	1
2	Star Wheel Block	006-4642UB	1
3	Star Wheel Gasket	006-4642UG	1
4	Electric Swivel	006-4642A	1
5	Swivel Insert	006-4642B	1
6	Encoder	006-4512E	1
7	Encoder Mount	006-4512P	1
8	Washers	006-4642K	1
9	Star Wheel	006-4642US	1
10	Encoder Harness (6 pin)	006-7307EM	1
NP	Moisture Harness (2 pin)	006-7307M	1
1-10	Star wheel assembly (w/ Encoder)	030-4642UE	1
1-5, 8, 9, NP	Star wheel assembly (w/o Encoder)	030-4642U	1

## Hoses



<u>Ref</u>	<u>Description</u>	<u>Part #</u>	<u>Qty</u>
11	1/2" Hose (Tank to Solenoid)	002-9001	30ft
12	1/4" Hose (Solenoid to Tips)	002-9016	6ft

## Moisture Harness



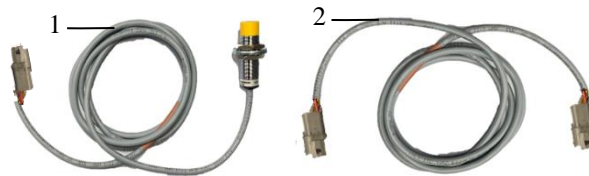
<u>Ref</u>	<u>Description</u>	<u>Part #</u>	<u>Qty</u>
1	Moisture Harness	006-7307EM2	1

## Control Box and Wiring Harnesses



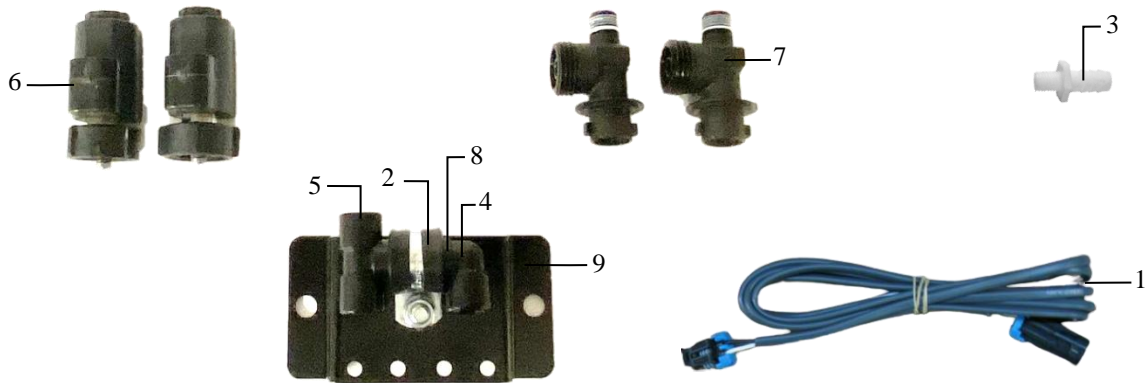
<u>Ref</u>	<u>Description</u>	<u>Part#</u>	<u>Qty</u>	<u>Ref</u>	<u>Description</u>	<u>Part#</u>	<u>Qty</u>
1	Power Lead Baler 20'	006-765B	1	NP	Baler Integration Harness	006-765VA	1
2	Power lead tractor	006-765IC	1	NP	Dust Plug Kit	006-765DP	1
3	Key Switch Wire	006-765CPH	1				
4	ISO Pump Module	006-7671LS	1				
5	ISO Communication Module	006-6673	1				

## End of Bale Sensor Kit



<u>Ref</u>	<u>Description</u>	<u>Part #</u>	<u>Qty</u>
1	End of Bale Sensor	006-7401	1
2	End of Bale Ext.	006-7401EXT	1
	Complete Assembly	EOB-LS-STD	

## 700 Solenoid Package

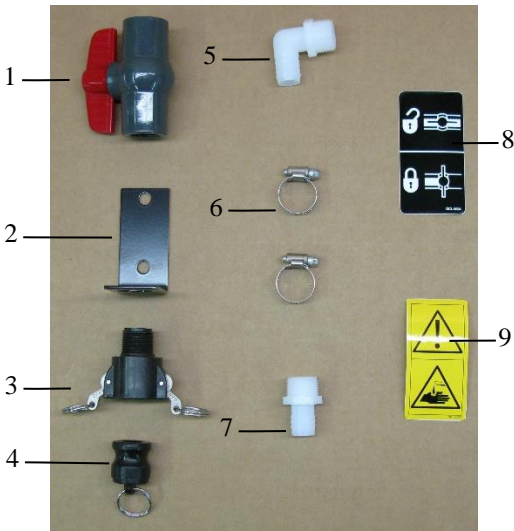


## Solenoid Package

<u>Ref</u>	<u>Description</u>	<u>Part #</u>	<u>Qty</u>	<u>Ref</u>	<u>Description</u>	<u>Part #</u>	<u>Qty</u>
1	Solenoid Harness (5')	006-3650-S1	2	6	Solenoid	002-2203F	2
2	Hose Clamp #6	003-9003	1	7	Solenoid Check Valve	004-1207VF	2
3	1/4" x 1/2" Straight Fitting	003-A1412	1	8	1/4" Nipple	003-M14	1
4	1/4" Elbow	003-SE14F	1	9	Solenoid Holder	001-4648DSH	1
5	1/4" Tee Fitting	003-TT14SQ	1	NP	O-Ring Kit	002-2203FG	2
					Complete Assembly	SOL-3SP-LSB	

## Hose and Drain/Fill Line

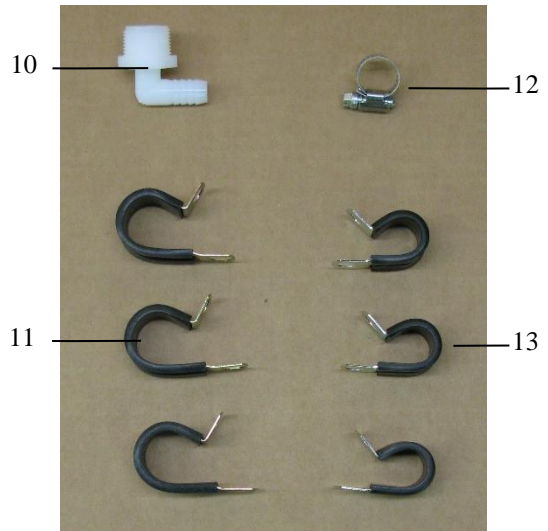
**PBA-1**



<u>Ref</u>	<u>Description</u>	<u>Part #</u>	<u>Qty</u>
1	3/4" Ball Valve	002-2200	1
2	Valve Holder	001-6702H	1
3	Female Coupler	002-2204A	1
4	Male Shut-Off Plug	002-2205G	1
5	3/4" x 3/4" Elbow	003-EL3434	1
6	#10 Hose Clamp	003-9004	2
7	3/4" x 3/4" Straight Fitting	003-A3434	1

Complete Drain Fill Kit      030-0493DFK

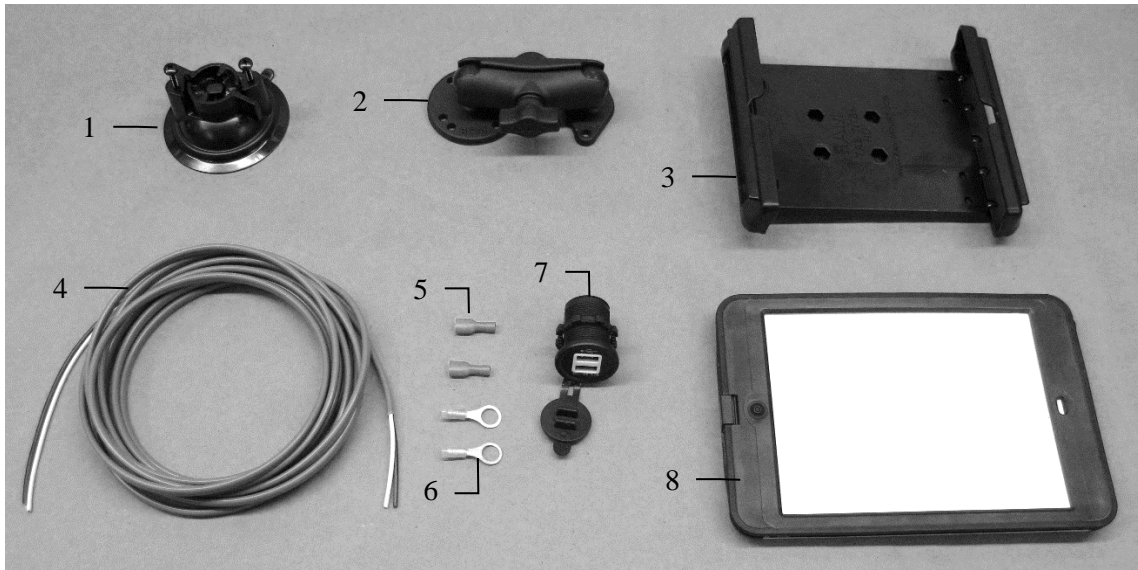
**PBP-16**



<u>Ref</u>	<u>Description</u>	<u>Part #</u>	<u>Qty</u>
8	Valve Decal	DCL-8004	1
9	Hazard Decal	DCL-8001	1
10	3/4" x 1/2" Elbow	003-EL3412	1
11	3/4" Jiffy Clip	008-9010	3
12	#6 Hose Clamp	003-9003	1
13	Small Jiffy Clip	008-9009	3
10	3/4" x 1/2" Elbow	003-EL3412	1



## Optional iPad Mini Mounting Kit (030-2014MK)



<u>Ref</u>	<u>Description</u>	<u>Part #</u>	<u>Qty</u>
1	Suction cup mount	001-2012SCM	1
2	Ram mount	001-2012H	1
3	iPad Mini® spring load cradle (Mini 4)	001-2012SLC	1
4	16 gauge power wire	006-4723P	1
5	Female spade connector	Hardware	2
6	Eye loop connector	Hardware	2
7	iPad Mini Charger 12V	001-2012P	1
8	iPad Mini 4 case	001-2012C4	1
NP	4 amp fuse	Hardware	1

Mounting Kit Assembly

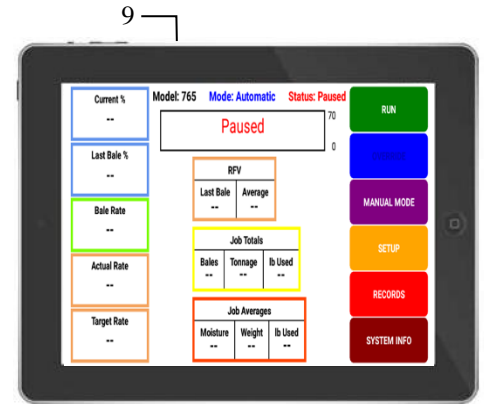
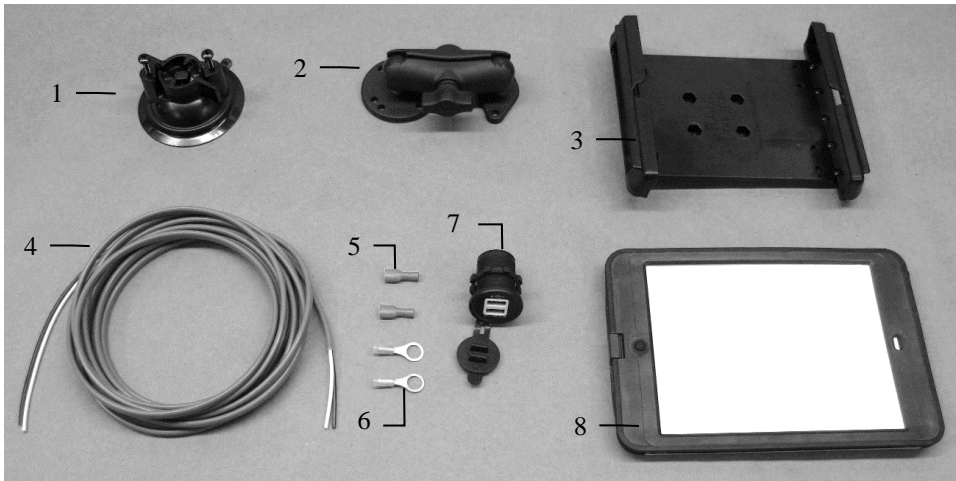
030-2014MK  
(Includes All Parts)

### Installation Instructions

1. Identify 12V power source for wires to connect.
  - a. Eye loops included if wiring directly to the battery is desired.
  - b. Test for key power source if preferred to have power to the USB shut off with the key.
2. Once power source is identified, cut wires to desired length.
3. Crimp the two supplied quick connectors onto each the white and black wire.
4. Remove the round locking plastic nut from USB plug before connecting the wires. Black (+) White (-).
5. The wires will then be hooked to the designated terminals on the bottom of the USB plug
6. Drill a 1 1/8" hole in the preferred mounting location. Be sure to clean any sharp edges after drilling.
7. Feed the wires through the mounting hole.
8. If using the round plastic nut to secure plug-in place, slide the nut back over the wiring before connecting the wires to powered source.
9. Connect the wires to the identified power source if easier to do so before tightening the plug into place.
10. Tighten plug using either the round plastic nut or mounting plate and two screws, both options supplied.
11. Once connected, hook a USB charging cord into the plug and connect a mobile device/tablet to ensure the plug is operating as you wish (key power working properly if necessary).

NOTE: This plug is not designed to charge two iPads. System damage could occur if this is attempted. System will charge a mobile phone and iPad simultaneously without problem.  
\*iPad is a trademark of Apple Inc., registered in the U.S. and other countries.\*

## Optional iPad Display Kit (030-4670DK)



<u>Ref</u>	<u>Description</u>	<u>Part #</u>	<u>Qty</u>
1	Suction Cup Mount	001-2012SCM	1
2	Ram Mount	001-2012H	1
3	iPad Mini® Spring Load Cradle (Mini 2)	001-2012SLC	1
4	16 Gauge Power Wire	006-4723P	1
5	Female Spade Connector	Hardware	2
6	Eye Loop Connector	Hardware	2
7	iPad Mini Charger 12V	001-2012P	1
8	iPad Mini 4 case	001-2012C4	1
9	iPad Mini 4	006-2670IP	1
NP	4 Amp Fuse	Hardware	1

Mounting Kit Assembly

030-2014MK  
(Includes All Parts)

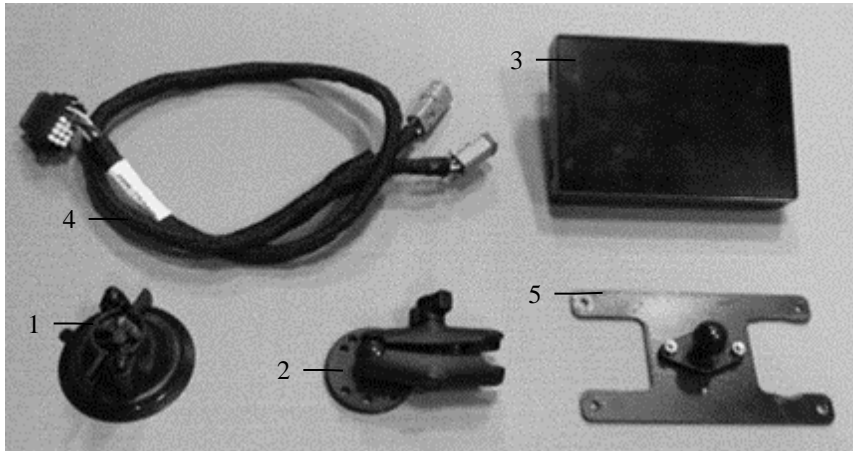
### Installation Instructions

- Identify a 12V power source for wires to connect.
- Eye loops included if wiring directly to the battery is desired.
- Test for key power source if preferred to have power to the USB shut off with the key.
- Once power source is identified, cut wires to desired length.
- Crimp the two supplied quick connectors onto the white and black wire.
- Remove the round locking plastic nut from USB plug before connecting the wires. Black (+) White (-).
- The wires will then be hooked to the designated terminals on the bottom of the USB plug
- Drill a 1 1/8" hole in the preferred mounting location. Be sure to clean any sharp edges after drilling.
- Feed the wires through the mounting hole.
- If using the round plastic nut to secure plug-in place, slide the nut back over the wiring before connecting the wires to powered source.
- Connect the wires to the identified power source if easier to do so before tightening the plug into place.
- Tighten plug using either the round plastic nut or mounting plate and two screws, both options supplied.
- Once connected, hook a USB charging cord into the plug and connect a mobile device/tablet to ensure the plug is operating as you wish (key power working properly if necessary).

NOTE: This plug is not designed to charge two iPads. System damage could occur if this is attempted. System will charge a mobile phone and iPad simultaneously without problem.  
\*iPad is a trademark of Apple Inc., registered in the U.S. and other countries.\*



## Optional Harvest Tec Display Kit (030-7670DK)



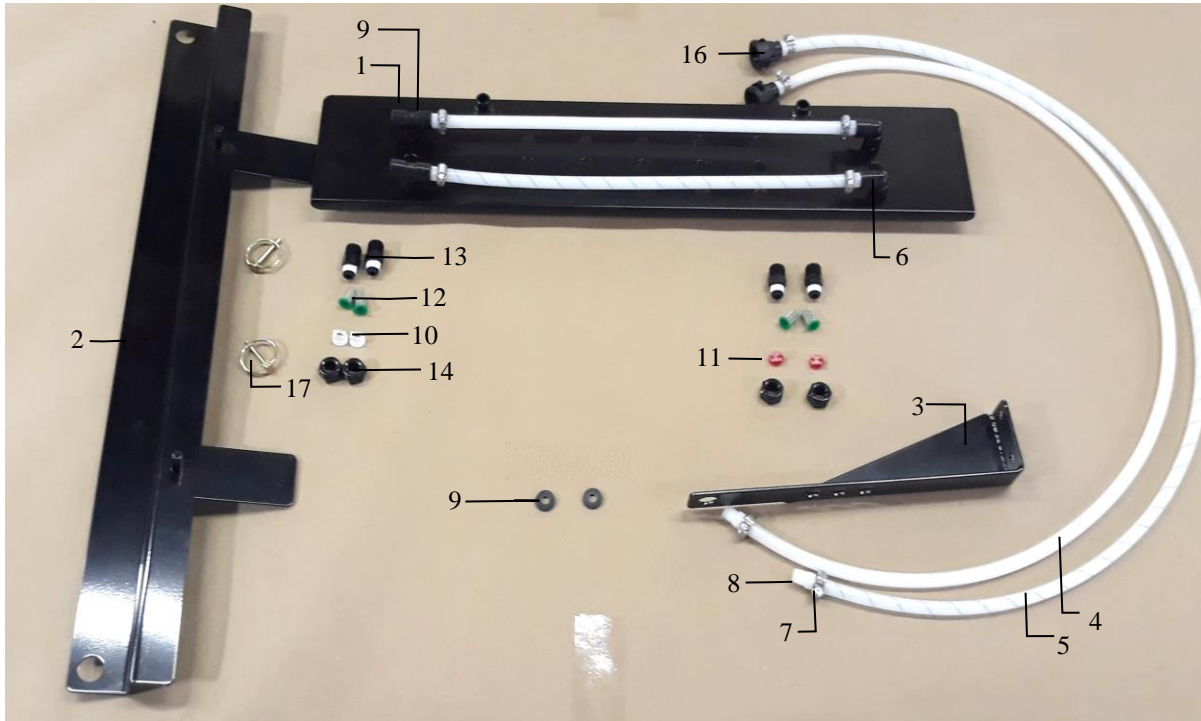
<u>Ref</u>	<u>Description</u>	<u>Part #</u>	<u>Qty</u>
1	Suction Cup Mount	001-2012SCM	1
2	Ram Mount	001-2012H	1
3	Harvest Tec Display	006-765GVT	1
4	Display Harness	006-765GH	1
5	Mounting Plate	001-700GH	1

### Installation Instructions

1. Identify 006-765GH harness connection to 006-765IC tractor harness.
2. Connect harness to the Harvest Tec Display before tightening into place.
3. Tighten the mounting and display. Streamline harness, as necessary.
4. Once connected, power cycle system and ensure display is working properly.

**NOTE: CANNOT OPERATE WITH BOTH HARVEST TEC DISPLAY AND BALER VT CONNECTED AT THE SAME TIME**

## Model 4525JC Installation Kit



<u>Ref</u>	<u>Description</u>	<u>Part #</u>	<u>Qty</u>	<u>Ref</u>	<u>Description</u>	<u>Part #</u>	<u>Qty</u>
1	Spray Shield	001-4435ES	1	10	1/4" Tip	004-XR11008VK	2
2	Shield Mounting Bracket	001-4435EK	1	11	1/4" Tip	004-XR11004VK	2
3	EOB Sensor Bracket	001-4648	1	12	Tip Strainer-100 Mesh	004-1203-100	4
4	1/4" Braided Hose	002-9016	5.5	13	Nylon Nozzle Body	004-4722	4
5	1/4" Braided Hose-Blue	002-9016B	5.5	14	Nylon Nozzle Cap	004-4723	4
6	1/4" 90 Deg. Elbow	003-SE14F	2	15	Rubber Washer	004-1207W	2
7	Mini Hose Clamp	003-9002	8	16	Female Quick Connect	004-1207H	2
8	1/4" x 1/4" Straight Fitting	003-A1414	8	17	3/16" Lynch Pin	008-4576	2
9	1/4" Tee Fitting	003-TT14SQ	2				

Complete Installation Kit  
(Ref. 1-17)

030-4525JC

## **Harvest Tec LLC. Warranty and Liability Agreement**

Harvest Tec, LLC. will repair or replace components that are found to be defective within 12 months from the date of manufacture. Under no circumstances does this warranty cover any components which in the opinion of Harvest Tec, LLC. have been subjected to negligent use, misuse, alteration, accident, or if repairs have been made with parts other than those manufactured and obtainable from Harvest Tec, LLC.

Our obligation under this warranty is limited to repairing or replacing free of charge to the original purchaser any part that in our judgment shows evidence of defective or improper workmanship, provided the part is returned to Harvest Tec, LLC. within 30 days of the failure. If it is determined that a non-Harvest Tec branded hay preservative has been used inside the Harvest Tec applicator system where the failure occurred, then Harvest Tec reserves the right to deny the warranty request at their discretion. Parts must be returned through the selling dealer and distributor, transportation charges prepaid.

This warranty shall not be interpreted to render Harvest Tec, LLC. liable for injury or damages of any kind, direct, consequential, or contingent, to persons or property. Furthermore, this warranty does not extend to loss of crop, losses caused by delays or any expense prospective profits or for any other reason. Harvest Tec, LLC. shall not be liable for any recovery greater in amount than the cost or repair of defects in workmanship.

There are no warranties, either expressed or implied, of merchantability or fitness for particular purpose intended or fitness for any other reason.

This warranty cannot guarantee that existing conditions beyond the control of Harvest Tec, LLC. will not affect our ability to obtain materials or manufacture necessary replacement parts.

Harvest Tec, LLC. reserves the right to make design changes, improve design, or change specifications, at any time without any contingent obligation to purchasers of machines and parts previously sold.

Revised 5/22

**HARVEST TEC, LLC.  
P.O. BOX 63  
2821 HARVEY STREET  
HUDSON, WI 54016  
PHONE: 715-386-9100  
1-800-635-7468  
FAX: 715-381-1792**