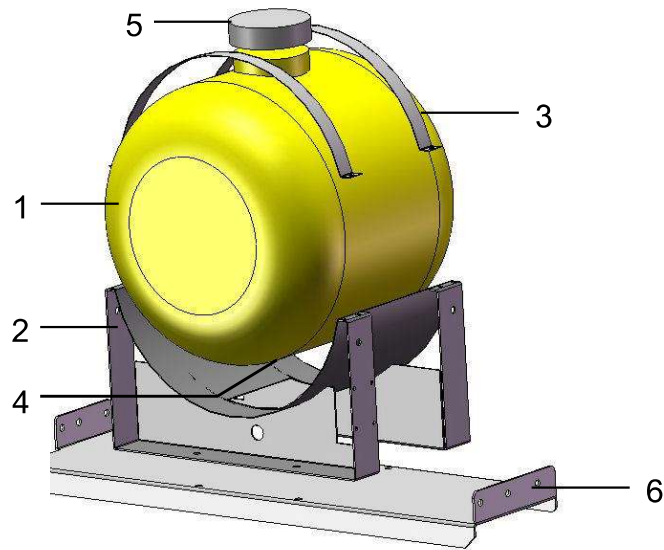


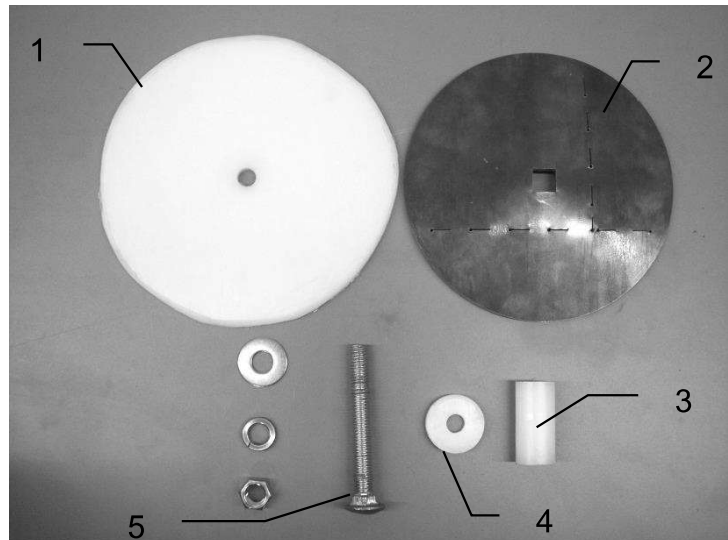
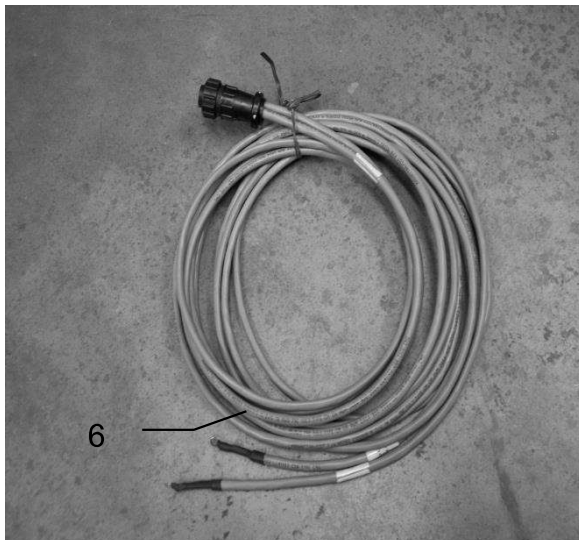
## Model 347U/347UP Base Kit



<u>Ref</u>	<u>Description</u>	<u>Part #</u>	<u>Qty</u>	<u>Ref</u>	<u>Description</u>	<u>Part #</u>	<u>Qty</u>
1	25 Gallon tank	005-9022	1	5	Tank lid	005-9022C	1
2	25 Gallon saddle	001-4442	1		Tank lid gasket	005-9022CG	1
3	Strap	001-4402	2	6	Tank mounting bracket	001-4442U	1
4	Tank fitting	005-9100	2		Tank Mounting bracket for 450 Roll Belt	001-4442UP	

Tank Saddle Kit                      030-044225-TK (1-5)

## Moisture Sensors



<u>Ref</u>	<u>Description</u>	<u>Part #</u>	<u>Qty</u>	<u>Ref</u>	<u>Description</u>	<u>Part #</u>	<u>Qty</u>
1	Plastic Pad	006-4641F	2	4	Plastic Isolator	006-4641I	2
2	Moisture Disc	006-4641H	2	5	1/2X4 1/2" Carriage Bolt		2
3	Plastic Bushing	006-4641G	2	6	Moisture Cable	006-4640G2	1

Moisture Pad Assembly (Ref 1-5)                      030-4643                      2  
 Complete Assembly (Ref 1-6)                      MSH-RB-A