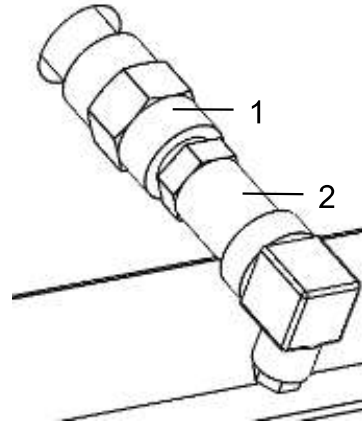
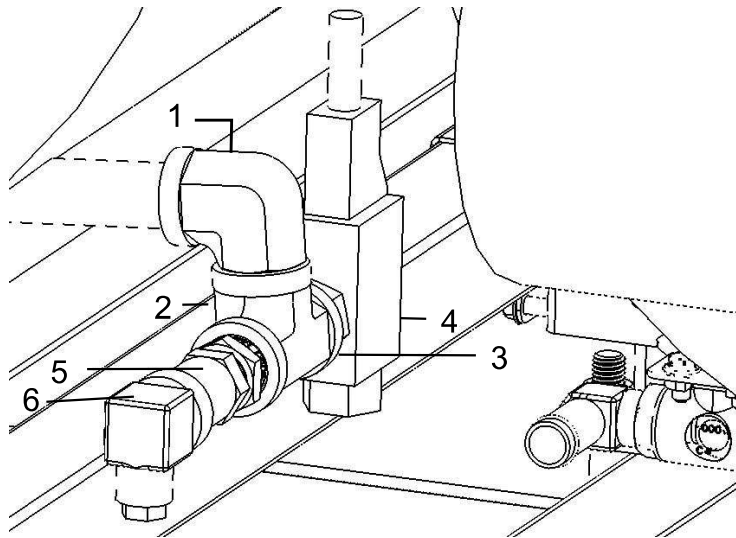


H2 Teeport Sensor

<u>Ref</u>	<u>Description</u>	<u>Part #</u>	<u>Qty</u>
1	3/4"x1/2" Nipple	003-DSM3412F	1
2	Temp Probe	006-4732	1



Flow Switch Assembly



<u>Ref</u>	<u>Description</u>	<u>Part #</u>	<u>Qty</u>	<u>Ref</u>	<u>Description</u>	<u>Part #</u>	<u>Qty</u>
1	3/4" x 3/4" Elbow (90)	003-DSSE34	1	5	3/4" x 1/2" Reducer	003-DSRB3412	1
2	3/4" Tee	003-DSTT34	1	6	Temp Probes	006-4732	1
3	3/4" x 1/2" Nipple	003-DSM3412	1	NP	1/2" x 3/4" Elbow (45)	003-DSEL1234S	1
4	Flow Switch	006-4731	1				