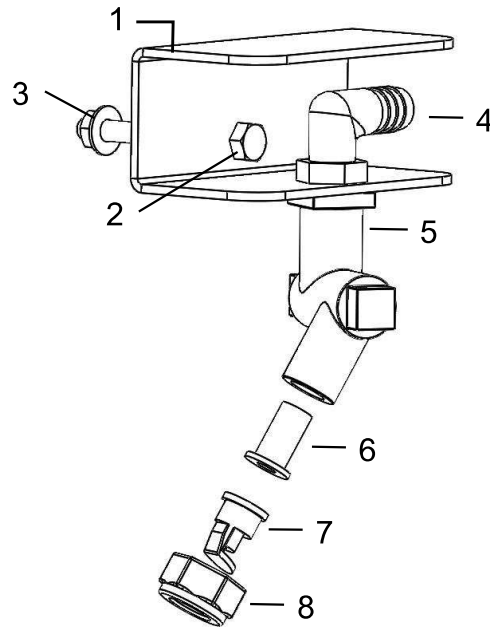
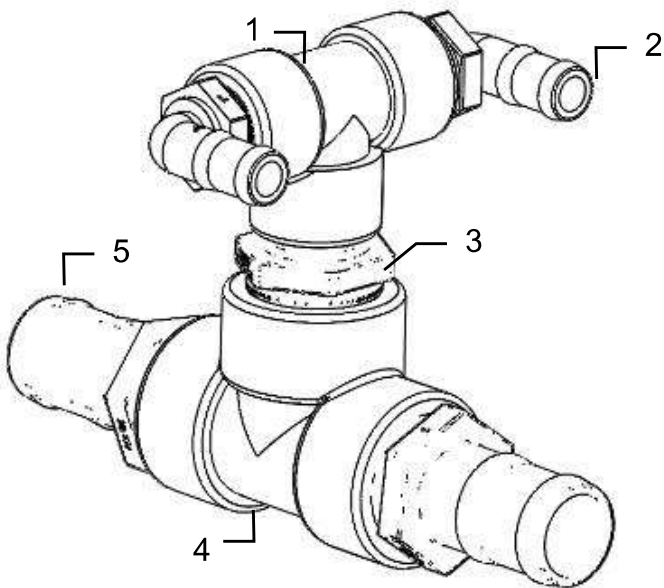


## Perimeter Nozzle Assembly



<u>Ref</u>	<u>Description</u>	<u>Part #</u>	<u>Qty</u>	<u>Ref</u>	<u>Description</u>	<u>Part #</u>	<u>Qty</u>
1	Nozzle Bracket	001-7227	2	6	Tip Strainer	004-1203-100	2
2	1/4" x 2-3/4 Hex Bolt	Hardware	2	7	Tips	004-TK-VP-100	2
3	1/4" Flange Nut	Hardware	4	8	Nozzle Cap	004-4723	2
4	1/4" x 1/2" Elbow	003-EL1412P	1	NP	Hose Clamp	003-9003	2
5	Swivel Body	004-4733	2	NP	1/2" Hose	002-9017	14

## Perimeter Nozzle Supply Assembly



<u>Ref</u>	<u>Description</u>	<u>Part #</u>	<u>Qty</u>
1	1" Tee	003-TT100HP	1
2	1"x3/4" Elbow	003-EL10034HP	2
3	1-1/2"x1" Nipple	003-M112100HP	1
4	1-1/2" Tee	003-TT112HP	1
5	1-1/2"x1-1/2" Barb	003-A112112HP	2