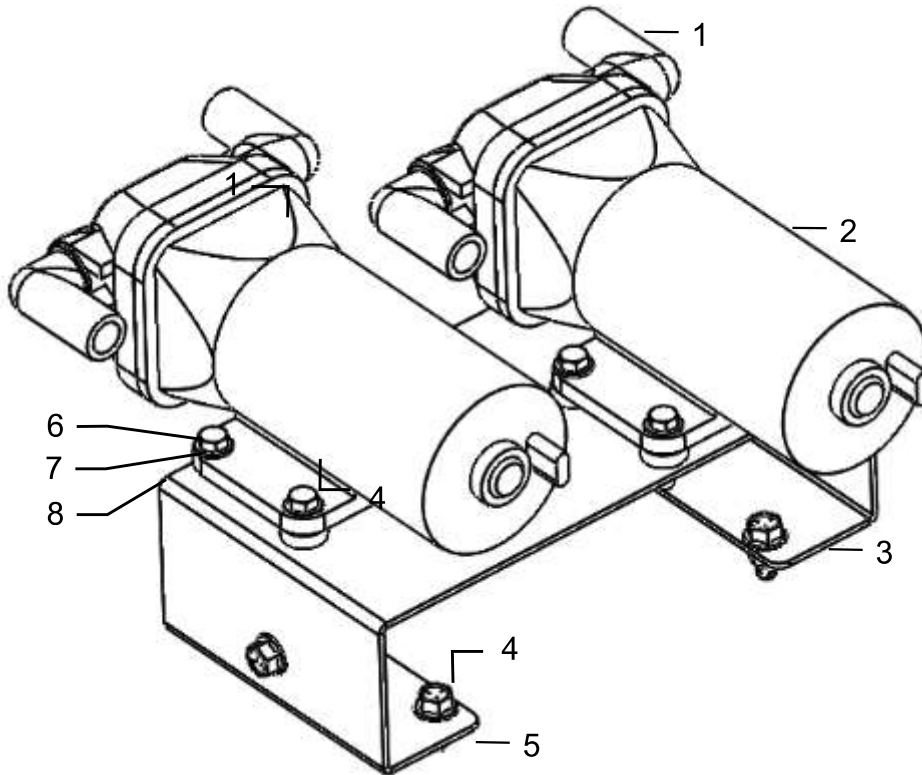


# Optional Accessories Parts Breakdown

## Perimeter Nozzles

Complete Perimeter Nozzle Kit (030-0721PN) includes the following components as well as mounting hardware (not shown):

### Perimeter Nozzle Pump Assembly



<u>Ref</u>	<u>Description</u>	<u>Part #</u>	<u>Qty</u>	<u>Ref</u>	<u>Description</u>	<u>Part #</u>	<u>Qty</u>
1	3/4" Elbow	007-4121K	4	5	5/16"-18 Flange Nut	Hardware	4
NP	12V Pump Motor only	007-4121Q		6	1/4"-20 Hex bolt	Hardware	8
2	12V Pump	007-4210	2	7	1/4" Flat washer	Hardware	8
3	Perimeter Nozzle Brkt	001-7224A	1	8	1/4"-20 Hex Nut	Hardware	8
4	5/16-18 Flange Bolt	Hardware	4	NP	Pump top section	007-4122B	
NP	Pump Rebuild Kit	007-4584		NP	Pump top sec cap	007-4122C	
					Complete PN Pump Assembly Kit	030-0721PN	