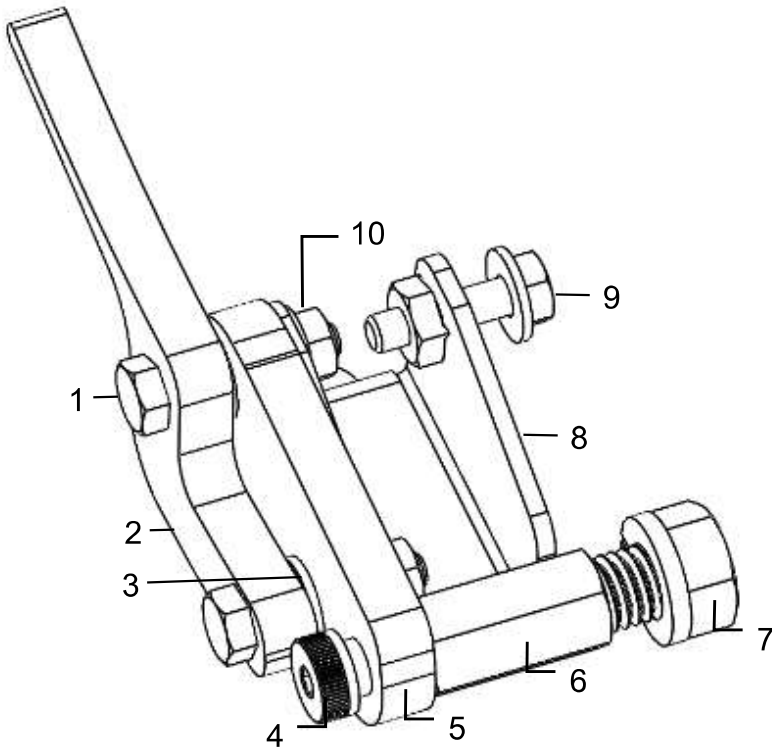
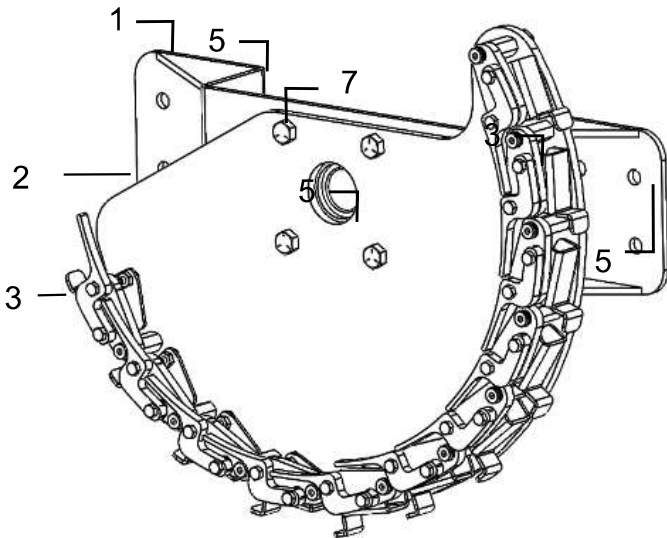


Valve Trip Assembly

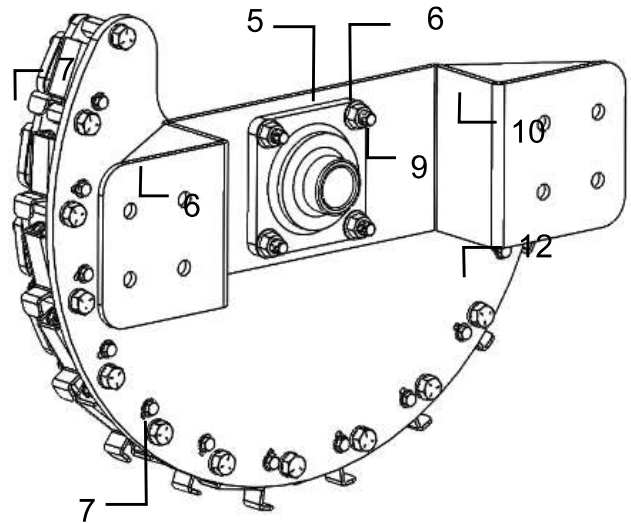


<u>Ref</u>	<u>Description</u>	<u>Part #</u>	<u>Qty</u>
1	Flange Bolt 1/4-20x1-1/4	Hardware	2
2	Trip Outline	001-7210C	1
3	1/4" Flat washer	Hardware	2
4	Shoulder Bolt	001-7210D	1
5	Trip Inside	001-7210B	1
6	5/16" - 1/2" Standoff	001-7210E	1
7	1/2-13x1 Flange Bolt	Hardware	1
8	Trip Bracket	001-7210FA	1
9	1/4-20x1 Flange Bolt	Hardware	1
10	1/4-20 Flange Nut	Hardware	2

Trip Assembly



Front View



Reverse View

<u>Ref</u>	<u>Description</u>	<u>Part #</u>	<u>Qty</u>
1	Valve Side Bracket	001-7208	1
2	Trip Plate	001-7210A	1
3	Valve Trip Assembly	Previous pg	11
4	1/2-13 Flange Bolt	001-7210D	4

<u>Ref</u>	<u>Description</u>	<u>Part #</u>	<u>Qty</u>
5	1 1/2" Bearing 4 Bolt	008-7137	1
6	1/2-13 Flange Nut	Hardware	4
7	1/4 x 1" Adjustment Bolt	Hardware	