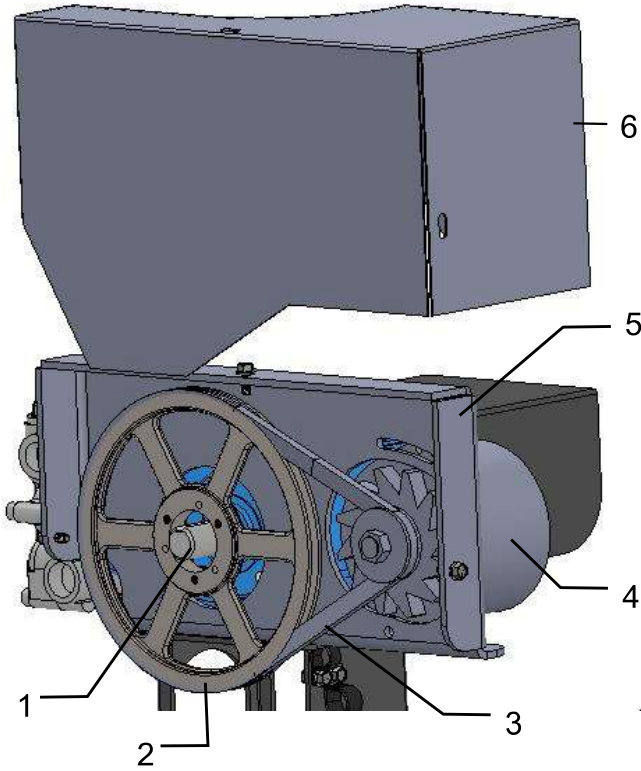
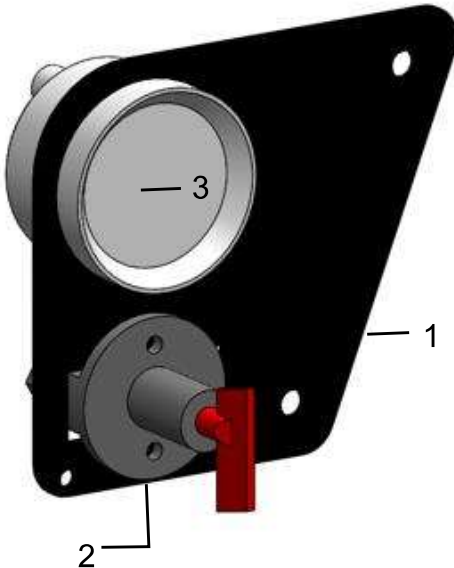


## Cart Electrical Assembly



<u>Ref</u>	<u>Description</u>	<u>Part #</u>	<u>Qty</u>
1	QD Bushing 30mm	001-7221H	1
2	3V 10.6" Sheave QD	001-7221P	1
3	3VX400 Belt	001-7221B	1
4	Alternator 105A	001-7221A	1
5	Alternator Bracket	001-7220B	1
6	Alternator Shield	001-7220C	1
NP	Alternator to Battery + / -	006-7221WH	1
NP	Battery 12VDC, 47AGM	006-7221BAT	1
NP	Battery Box Bracket	001-7220D	1
NP	Battery Box, Ser24	006-7221BB	1
NP	Battery Post Adapter +	006-7221BTR	1
NP	Battery Post Adapter -	006-7221BTB	1

## Battery Disconnect Switch



<u>Ref</u>	<u>Description</u>	<u>Part #</u>	<u>Qty</u>
1	Mounting Plate- Gauge and Switch	001-7220J	1
2	Battery Disconnect Switch	006-7221BDS	1
3	Battery Voltage Gauge	006-7221BVG	1
NP	Wire Battery to Cut off Switch 36"	006-7221WH2	1