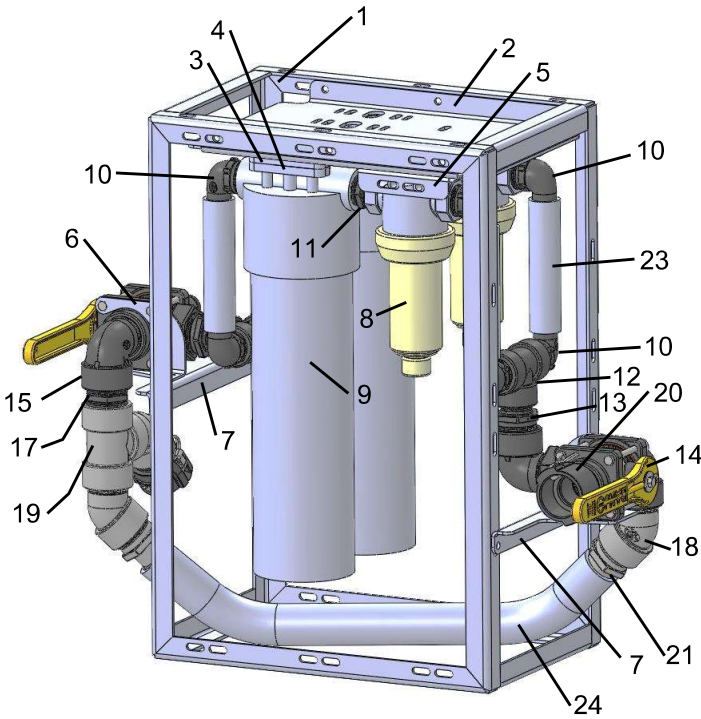


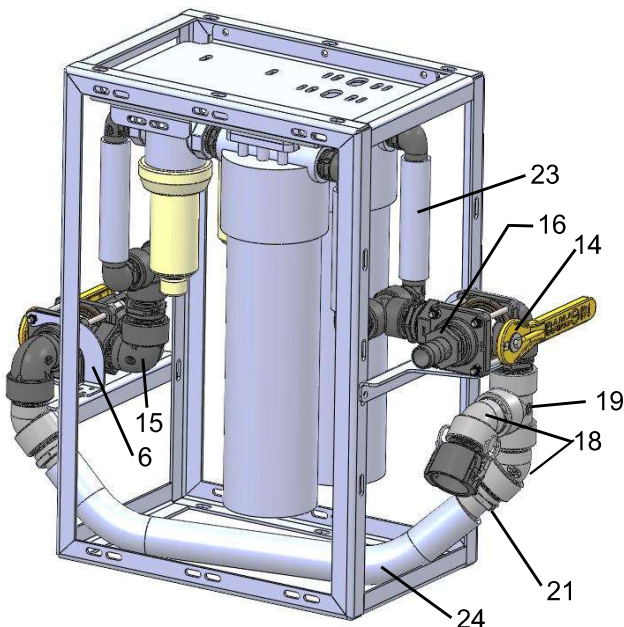
# Water Filtration System (030-0721FS)

View from Inlet Side



Ref	Description	Part #	Qty
1	Water Inlet Frame	001-7200L	1
2	Filter Mounting Plate	001-7200LD	1
3	Giant Filter Spacer	001-7200LT	2
4	Giant Filter Shim	001-7200LS	4
5	Filter Bracket	001-7200LF	2
6	3-way Valve Bracket	001-7200LP	2
7	Valve Support	001-7200LJ	2
8	1 1/2" Filter 100 Mesh	002-4319*	2
*Replacement Components Listed Below			
9	Giant filter Asm 20 micron	002-4322*	2
*Replacement Components Listed Below			
10	90deg Elbow 1.5" NPT x 1.5" HB	003-EL112112HP	8
11	1.5" NPT Nipple	003-M112112HP	2
12	1.5" Tee FxFxF	003-TT112HP	2
13	1.5" NPT x 2" NPT Nipple	003-M200112HP	2
14	Banjo 3-way Valve 2"x2"x 2"	002-2223	2
15	2" Street Elbow 90deg	003-SE200HP	3
16	2" NPTM x 1.5" HB	003-A200112HP	1
17	2" Nipple	003-M200200HP	1
18	2" Street Elbow 45deg	003-SE45200HP	3
19	2" Tee FxFxF	003-TT200HP	1
20	Female Coupler x MPT 2"	002-2204G	2
21	2" NPT x 2" HB	003-A200200HP	2
NP	2" HB x 2" Male Coupler	003-2204R	2
23	1 1/2" 4450 Suction Tube	002-9008	3
24	2" 4450 Suction Tube	002-9004	3
25	Hose Clamp for 1 1/2" OD	003-9118	9
26	Hose Clamp #40 2"OD	003-9006	3

View from Tank Side



## Replacement Filter Parts

1 1/2" Filter Screen	002-4319A
1 1/2" Filter Bowl Gasket	002-4319D
1 1/2" Filter Bowl Only	002-4319F
1 1/2" Filter Bowl Head	002-4319H
Giant Filter Replacement Element	002-4322E

Complete Assembly 030-0721FS