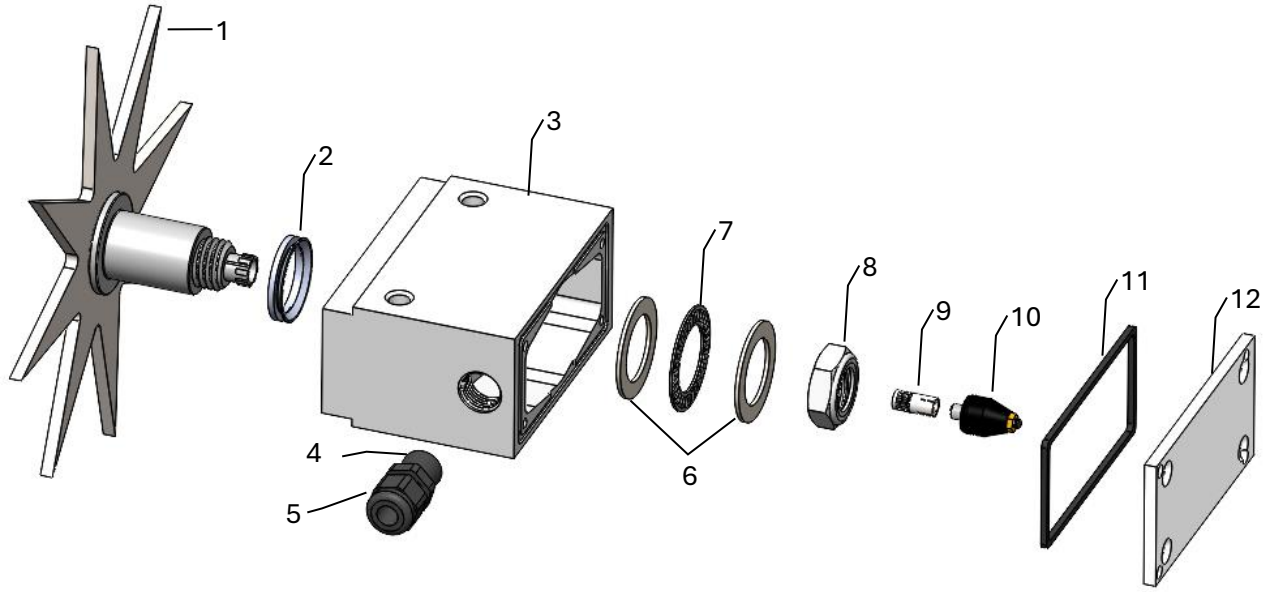


Star Wheel Sensors (030-4642UX)



| <u>Ref</u> | <u>Description</u> | <u>Part#</u> | <u>Qty</u> | <u>Ref</u> | <u>Description</u> | <u>Part#</u> | <u>Qty</u> |
|------------------------------------|--|--------------|------------|------------|---|-------------------|------------|
| 1 | Star Wheel | 006-4642US | 1 | 8 | Star Wheel Nut | 006-4642U | 1 |
| 2 | Dust Seal Gasket (Some pre 2024 used 2) | 006-4642UG | 1 | 9 | Swivel Insert | 006-4642B | 1 |
| 3 | Star Wheel Block (Avail. in 2024 Style Only) | 006-4642UB | 1 | 10 | Electric Swivel | 006-4642A | 1 |
| 4 | 3/8" Wire Grommet | 008-0821A | 1 | 11 | Star Wheel Block Gasket (Fits Pre-2024 Block Style) | 006-4642UG | 1 |
| 5 | 3/8" Grommet Nut | 008-0821B | 1 | 11 | Star Wheel Block Gasket (Fits 2024 and Newer Blocks) | 006-4642UG2 | 1 |
| NP | Spacer (only used in some of the pre-2024 blocks) | 006-4642UBS | 1 | 12 | Block Cover (Fits Pre-2024 Block Style) | 006-4642UC | 1 |
| 6 | Thrust Bearing Washer | 006-4642TA | 2 | 12 | Block Cover (Fits 2024 and Newer Block Style) | 006-4642UC2 | 1 |
| 7 | Thrust Bearing | 006-4642TB | 1 | | | | |
| Complete Universal Assembly | | | | | | 030-4642UX | |