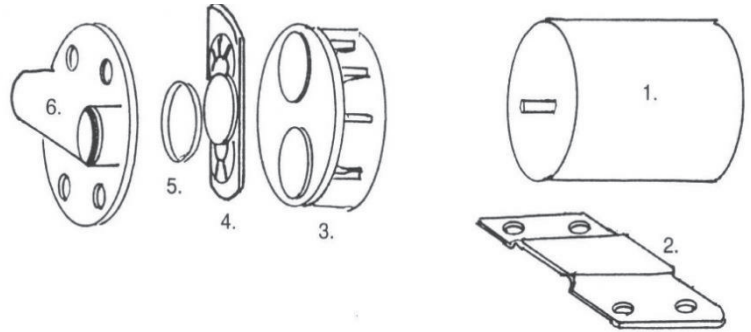


HARVEST TEC PUMP PARTS

Rebuild kits include items 3, 4, 5

Order kit:

007-4581 for 4120S, 4120R, 4120DE
 007-4581 for POST 2017-4120D & 4120K
 007-4582 for PRE 2017-4120D & 4120K
 007-4584 for 4210
 007-4585 for 4120KLP
 007-4586 for 4120A
 007-4587 for 4120P



<u>Ref</u>	<u>Descriptions</u>	<u>Pump Model</u>	<u>Part #</u>
1	12V Motor	007-4120D	007-4121A
		007-4120DE	
		007-4120H	
		007-4120P	
		007-4120S	
1	12V – Fan Cooled	007-4120E	007-4121D
		007-4120K	
		007-4120KLP	
1	110V Motor	007-4120R	007-4121M
1	12V Motor – High Capacity	007-4210	007-4121Q
2	Base Plate	All Models	007-4121i
3	Center Section w/ Sealed Bearing	007-4120D	007-4121L
		007-4120H	
		007-4120K	
		007-4120KLP	
		007-4120R	
		007-4120S	
		007-4210	007-4121U
4	Check Valve - 2 Valve without Bypass	007-4120H	007-4121F
		007-4120R	
		007-4120S	007-4121G
		007-4120D	
4	Check Valve - 2 Valve with Bypass	007-4120D (Prior to 2017)	007-4121G
		007-4120D (Post 2017)	007-4121F
		007-4120K	007-4121G
		007-4120KLP	007-4121R
4	Check Valve – 4 Valve	007-4210	007-4121N
4	Check Valve – 2 Valve w/ Set Screw	007-4120DE	007-4121F
5	O-ring – Include w/ Check Valve	All Models	See Ref 4
6	Top Section	All Models (Except 007-4210DE)	007-4122B
		007-4210	007-4122C
		007-4210DE	007-4122DE
NP	Locking Tabs (not shown)	007-4210	007-4122D
	Cap for Top Section of Pump	007-4120D	007-4122C
	Pump Head Only (no check valves)	All Models (except 007-4210)	007-4122B