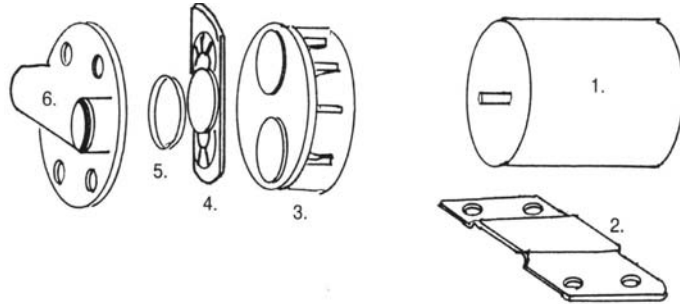


HARVEST TEC PUMP PARTS

Rebuild kits include items 3, 4, & 5



Order kit:

007-4581 for 4120H, 4120R & 4120S
 007-4582 for 4210D and 4120K
 007-4583 for 4120E(Kemin Model D)
 007-4584 for 4210
 007-4585 for 4120KLP
 007-4587 for 4120P

<u>Ref</u>	<u>Description</u>	<u>Pump Model</u>	<u>Part#</u>
1	12V Motor	007-4120D 007-4120H 007-4120P 007-4120S	007-4121A 007-4121A 007-4121A 007-4121A
1	12V – Fan cooled	007-4120E 007-4120K 007-4120KLP	007-4121D 007-4121D 007-4121D
1	110V Motor	007-4120R	007-4121M
1	12V Motor – High capacity	007-4210	007-4121Q
2	Base Plate	All models	007-4121I
3	Center section with sealed bearing	007-4120D 007-4120E 007-4120H 007-4120K 007-4120KLP 007-4120P 007-4120R 007-4120R 007-4120S 007-4210	007-4121L 007-4121L 007-4121L 007-4121L 007-4121L 007-4121L 007-4121L 007-4121L 007-4121L 007-4121U
4	Check Valve 2 Valve without bypass	007-4120H 007-4120R 007-4120S	007-4121F 007-4121F 007-4121F
4	Check Valve 2 Valve with bypass	007-4120D 007-4120E 007-4120K 007-4120KLP 007-4120P	007-4121G 007-4121O 007-4121G 007-4121R 007-4121S
4	Check Valve – 4 valve	007-4210	007-4121N
5	O-ring – Included with check valve		
6	Top section	All (except 007-4210)	007-4122B
6	Top section	007-4210	007-4122C
7	Locking tabs (not shown)	007-4210	007-4122D