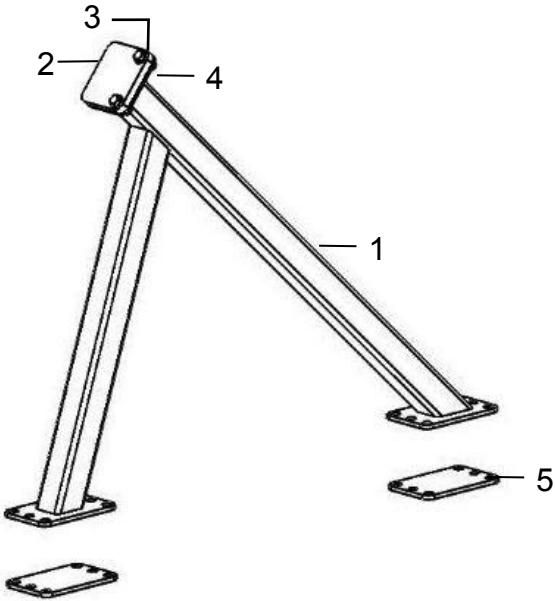
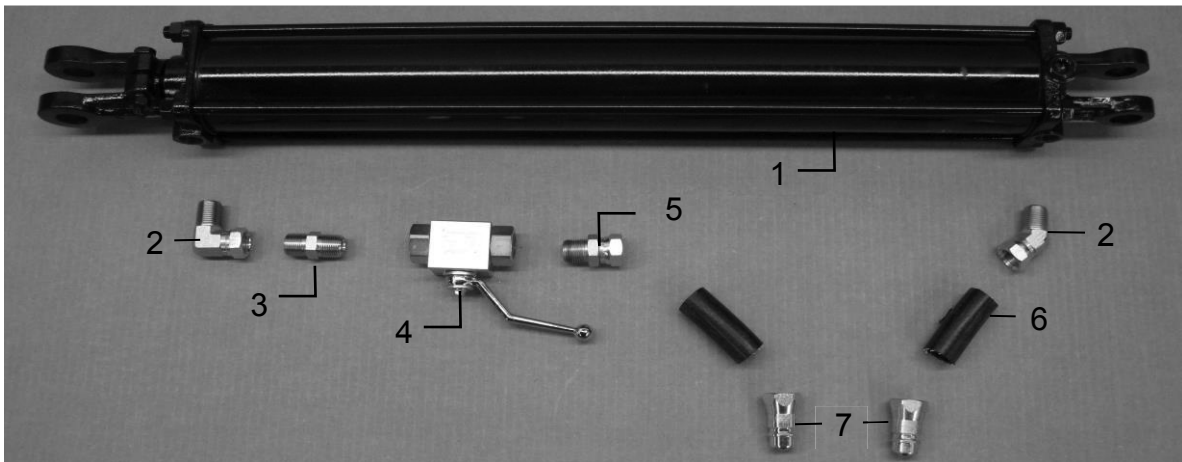


## Lift Arm Support Assembly



<u>Ref</u>	<u>Description</u>	<u>Part #</u>	<u>Qty</u>
1	Support Bracket	001-7223	1
2	Rubber Bumper	001-7223B	2
3	3/8"-16 x1 1/2" Flange Bolt	Hardware	2
4	3/8"-16 Flange Nut	Hardware	2
5	Support Bracket Plate	001-7223A	2
NP	1/2"-13x5" Flange Bolt	Hardware	6
NP	1/2"-13 Flange Nut	Hardware	6

## Hydraulic Cylinder Assembly



<u>Ref</u>	<u>Description</u>	<u>Part #</u>	<u>Qty</u>	<u>Ref</u>	<u>Description</u>	<u>Part #</u>	<u>Qty</u>
1	3"x24" Hydraulic Cylinder	008-7132	1	5	Restrictor	003-9716	1
2	1/2" Swivel Elbow	003-DSEL1212	2	6	1/2" Hydraulic Hose 14'	002-9714	2
3	1/2" Nipple	003-DSM1212	1	7	Pioneer Coupler	003-9715	2
4	Ball Valve	002-2221	1				
5	Restrictor	003-9716	1				