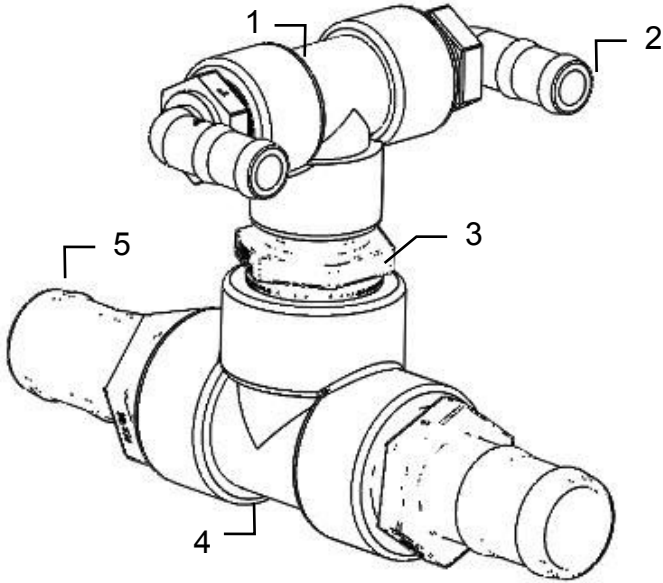
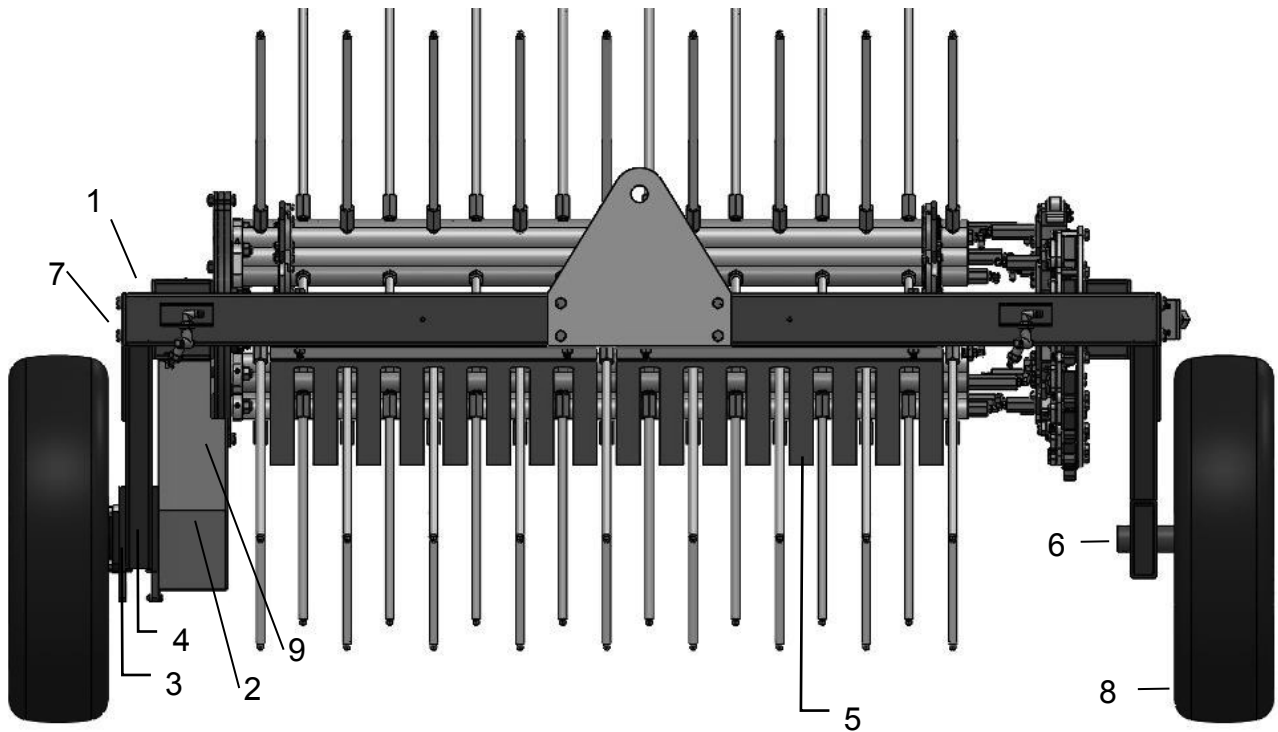


Perimeter Nozzle Supply Assembly (2019+)



<u>Ref</u>	<u>Description</u>	<u>Part #</u>	<u>Qty</u>
1	1" Tee	003-TT100HP	1
2	1"x3/4" Elbow	003-EL10034HP	2
3	1-1/2"x1" Nipple	003-M112100HP	1
4	1-1/2" Tee	003-TT112HP	1
5	1-1/2"x1-1/2" Barb	003-A112112HP	2

Reel Assembly



<u>Ref</u>	<u>Description</u>	<u>Part #</u>	<u>Qty</u>	<u>Ref</u>	<u>Description</u>	<u>Part #</u>	<u>Qty</u>
1	Reel Frame Assembly	001-7218	1	9	Chain Shield	001-7233	1
2	1 1/2" Drive Sprocket	001-7124C	1	NP	Rim - 4 Bolt	008-7130	2
3	1 1/2" Bearing Bolt-on	008-7137	2	NP	Rim Bolts for 4 Bolt	008-7130B	4
4	Drive Wheel Shaft	001-7241	1	NP	Roller Chain #50	008-7142	4
5	Windguard Assembly	001-7217	2	NP	Roller Chain Splice #50	008-7142A	1
6	Hub Spindle Assembly	001-7218B	1	NP	Roller Chain 1/2 Link #50	008-7142B	1
7	Reel Backing Plate	001-7209E	4	NP	Key 3/8" x 3/8" x 1 1/2"	001-7124D	1
8	Reel Tire	008-7139	2				