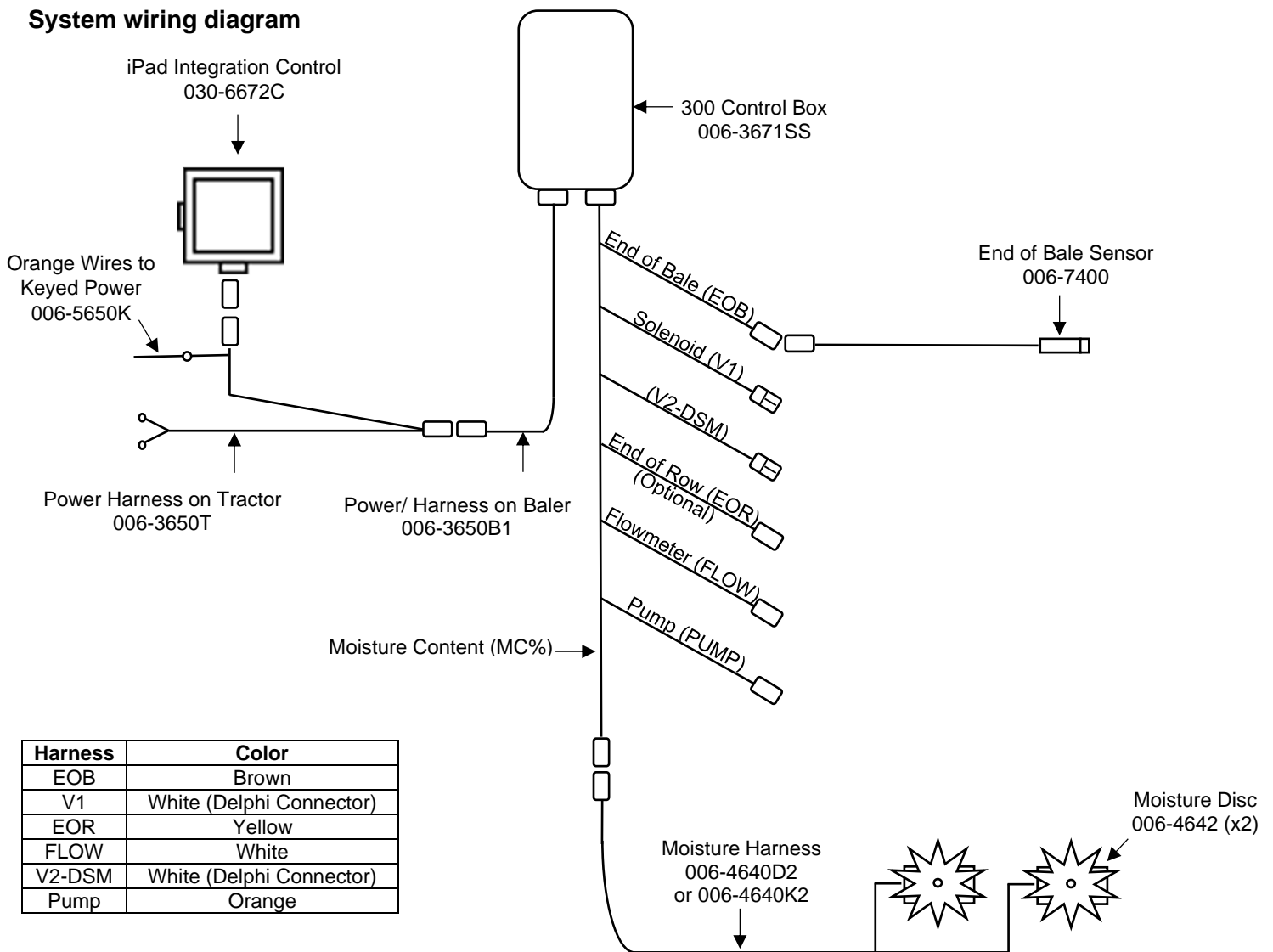


Wiring Diagram – 300SS

1. Connect the power harness (006-3650T) to the tractor battery (12 volt) using the red wire with fuse to the positive side and the black wire to the negative.
 - a. **The power harness must be connected to the battery!** The unit will draw more amps than convenience outlets can handle. Any modifications of the power harness will void systems warranty. **CONTACT HARVEST TEC BEFORE MODIFICATIONS.**
 - b. **This unit will not function on positive ground tractors.**
 - c. **If the unit loses power while operating it will not keep track of accumulated pounds of product used.**
2. The power harness on the tractor (006-3650T) will run from the tractor battery to the hitch. The power harness on the baler (006-3650B1) will connect to the tractor power harness (006-3650T) at the hitch.
3. Connect the keyed power wire (006-5650K) to a keyed power source on the tractor. **The keyed power wire must connect to a keyed source or the unit will not power up correctly.**
4. Attached the iPad Integration Control (030-6672C) to the tractor power harness (006-3650T).
5. Attach the End of Bale (EOB) connection on the controller to the End of Bale Sensor (006-7400).



System wiring diagram



Harness	Color
EOB	Brown
V1	White (Delphi Connector)
EOR	Yellow
FLOW	White
V2-DSM	White (Delphi Connector)
Pump	Orange