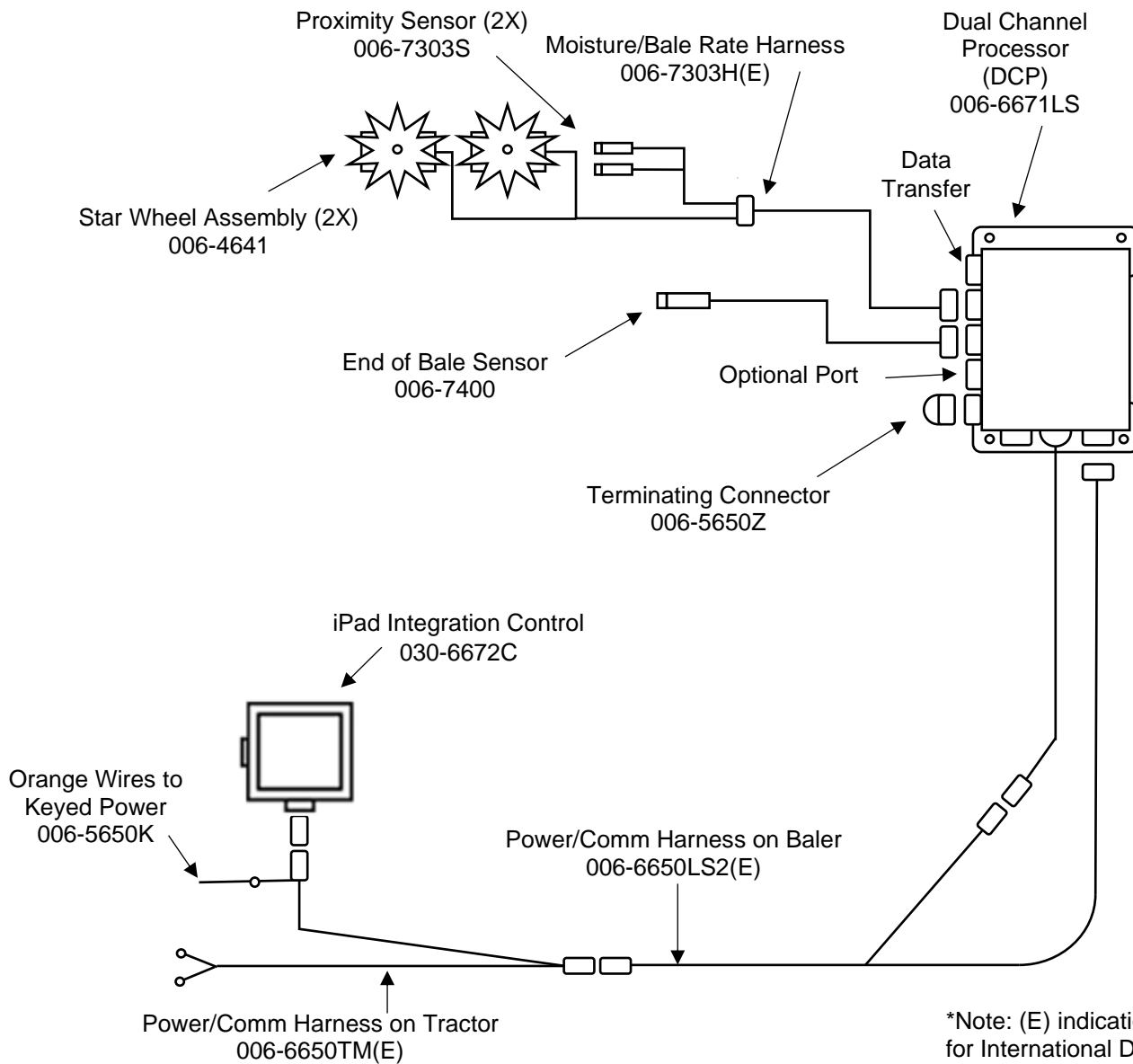


## Wiring Diagram

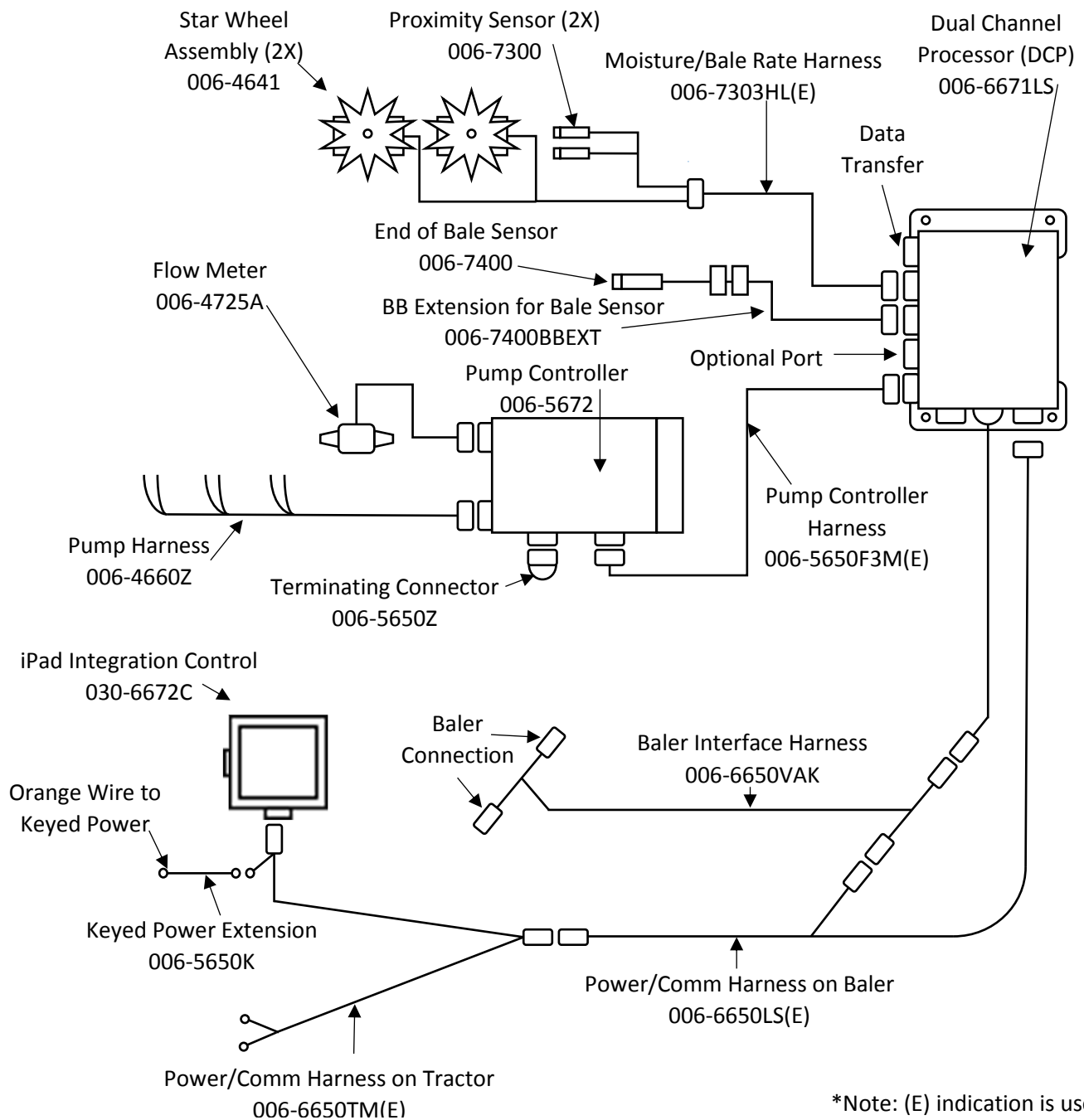
- 1 Locate the tractor power/communication harness (006-6650TM(E)).
- 2 At the back of the tractor run the power leads to the battery.
- 3 Connect the red power wire with the 50 amp fuse to the positive side (12 volt) of the battery.
  - a. **The power harness must be connected to the battery!** The unit will draw more amps than convenience outlets can handle. Any modifications of the power harness will void systems warranty. IF MODIFICATIONS ARE REQUIRED CONTACT HARVEST TEC FIRST!
  - b. **This unit will not function on positive ground tractors.**
  - c. **If the unit loses power while operating it will not keep track of accumulated pounds of product used and bale records.**
- 4 Connect the black ground wire to frame of tractor or negative side of (12 volt) battery.
- 5 Connect the iPad integration Control (030-6672C) to the Communication Harness (006-6650TM(E)).
- 6 Connect the orange wires and attach the plug to the tractor's ISOBUS port.
- 7 If using the optional ISOBUS connector (006-6670A) connect the end to the Communication Harness (006-6650TM(E)) in place of the Bluetooth Receiver shown below.
- 8 Connect the orange keyed power wires (006-5650K) to tractor Key Power source.



\*Claas 3200-3400 balers will have star wheel assembly 030-4642 for mounting on side of bale chamber

## Wiring Diagram – Krone ISOBUS Integration (optional)

1. The **Baler Power/Communication Harness** (006-6650LS2(E)) will attach to the open port of the Tractor **Harness** (006-6650TM(E)) and run back to the **Dual Channel Processor** (006-6671LS). Connect the large plug of the Baler Power/Communication Harness (006-6650LS) to the bottom (shorter side) of the DCP.
2. Install green terminator (006-5650Z) to the port labeled **Modular Port** on the Pump Controller (006-5672).
3. Attach moisture and bale rate harness 006-7303H(E) (Claas & Krone kits 006-7303HX(E)) as well as the end of bale harness (006-7400) to the DCP (006-6671LS).
4. Attach the Pump Control Harness (006-5650FM(E)) between the Pump Controller (006-5672) and the DCP (006-6671LS).
5. Connect the orange wires and attach the plug to the tractor's ISOBUS port.
6. If using the optional ISOBUS harness (006-6650VAK) connect one end to the Communication Harness from the DCP and the Power Comm Harness (006-6650LS(E)). The opposite end of the 6650VAK with deutch connections will connect into a 4 pin terminator on the left side of the baler above the baler ECU.
7. Connect the orange keyed power wires (006-5650K) and attach the plug to the tractor's ISOBUS port.



\*Note: (E) indication is used for International Dealers