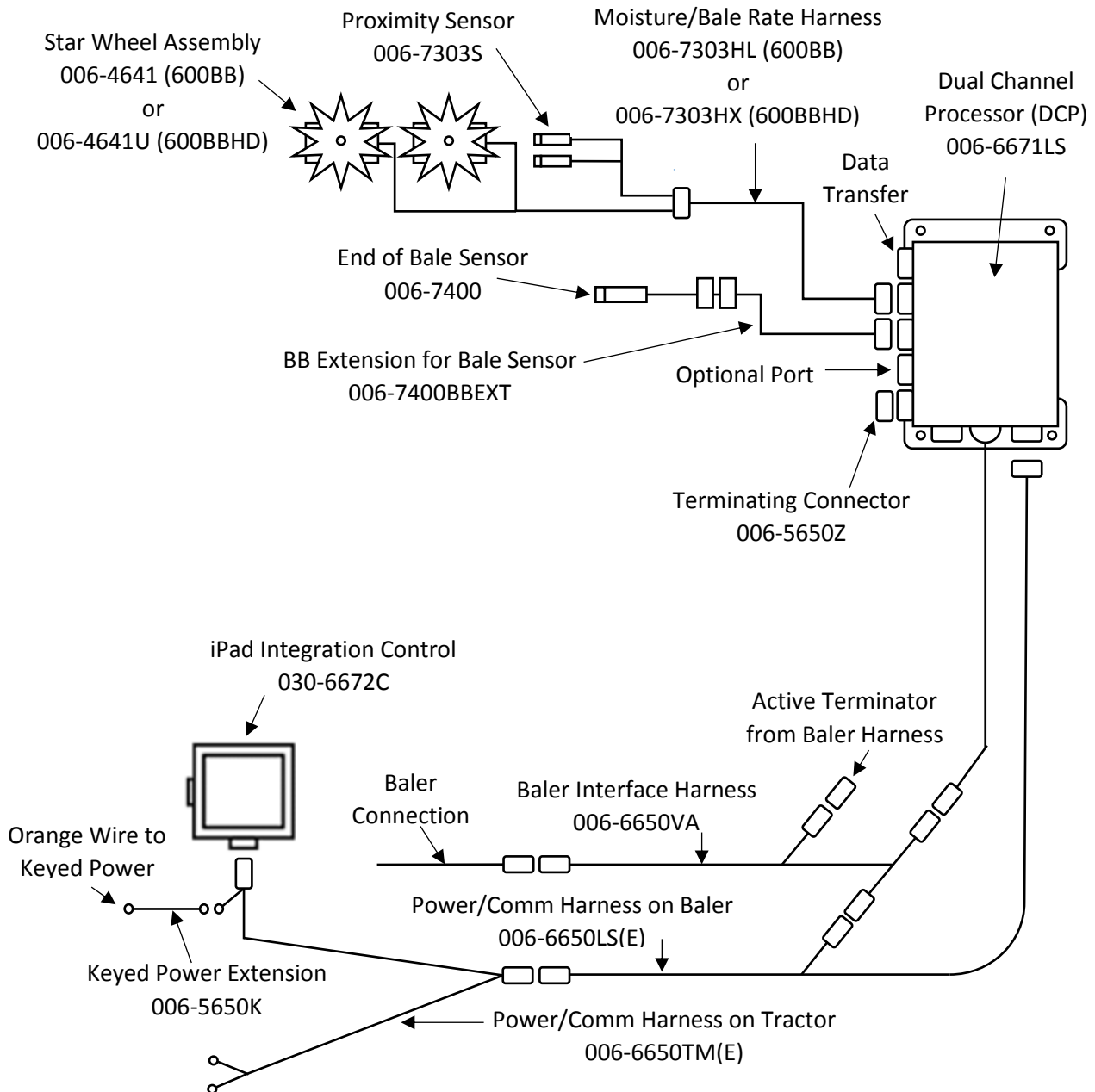


Wiring Diagram

- A. The Baler Power/Communication Harness (006-6650LS(E)) will attach to the open port of the Tractor Harness (006-6650TM(E)) and run back to the Dual Channel Processor (006-6671LS(E)).
- B. Connect the large plug of the Baler Power/Communication Harness (006-6650LS) to the bottom (shorter side) of the DCP. Attach the Baler Interface Harness (006-6650VA) in between the short whip cable hardwired to the DCP and the Power/Communication Harness (006-6650LS(E)).
- C. Make sure Active Terminator removed from the top of the baler processor is attached to the Baler Interface Harness (006-6650VA).
- D. Attach moisture and bale rate harness (006-7303HL(E)) and also end of bale harness (006-7400BBEXT) to the DCP (006-6671LS). Model 600BBHD will use harness 006-7303HX.
- E. Connect Keyed Power Extension harness (006-5650K) to a keyed power source.
- F. Connect the iPad Integration Control (030-6672C) to the Communication Harness (006-6650TM).
- G. Note: The Optional Port and the Data Transfer Port are not used in this application.



*Note: (E) indication is used for International Dealers